

# **KAWASAKI ZX6R-1999**



**SERVICE MANUAL +  
PARTS MICROFICHE**



**Kawasaki**

**Ninja ZX-6R**

# **Motorcycle Service Manual**

---

All rights reserved. No parts of this publication may be reproduced, stored in a retrieval system, or transmitted in any form or by any means, electronic mechanical photocopying, recording or otherwise, without the prior written permission of Quality Assurance Department/Consumer Products Group/Kawasaki Heavy Industries, Ltd., Japan.

No liability can be accepted for any inaccuracies or omissions in this publication, although every possible care has been taken to make it as complete and accurate as possible.

The right is reserved to make changes at any time without prior notice and without incurring an obligation to make such changes to products manufactured previously. See your dealer for the latest information on product improvements incorporated after this publication.

All information contained in this publication is based on the latest product information available at the time of publication. Illustrations and photographs in this publication are intended for reference use only and may not depict actual model component parts.

---

### LIST OF ABBREVIATIONS

A	ampere(s)	lb	pounds(s)
ABDC	after bottom dead center	m	meter(s)
AC	alternating current	min	minute(s)
ATDC	after top dead center	N	newton(s)
BBDC	before bottom dead center	Pa	pascal(s)
BDC	bottom dead center	PS	horsepower
BTDC	before top dead center	psi	pound(s) per square inch
°C	degree(s) Celsius	r	revolution
DC	direct current	rpm	revolution(s) per minute
F	farad(s)	TDC	top dead center
°F	degree(s) Fahrenheit	TIR	total indicator reading
ft	foot, feet	V	volt(s)
g	gram(s)	W	watt(s)
h	hour(s)	Ω	ohm(s)
L	liter(s)		

**Read OWNER'S MANUAL before operating.**

## EMISSION CONTROL INFORMATION

To protect the environment in which we all live, Kawasaki has incorporated crankcase emission (1) and exhaust emission (2) control systems in compliance with applicable regulations of the United States Environmental Protection Agency and California Air Resources Board. Additionally, Kawasaki has incorporated an evaporative emission control system (3) in compliance with applicable regulations of the California Air Resources Board on vehicles sold in California only.

### 1. Crankcase Emission Control System

This system eliminates the release of crankcase vapors into the atmosphere. Instead, the vapors are routed through an oil separator to the intake side of the engine. While the engine is operating, the vapors are drawn into combustion chamber, where they are burned along with the fuel and air supplied by the carburetion system.

### 2. Exhaust Emission Control System

This system reduces the amount of pollutants discharged into the atmosphere by the exhaust of this motorcycle. The fuel, ignition and exhaust systems of this motorcycle have been carefully designed and constructed to ensure an efficient engine with low exhaust pollutant levels. The exhaust system of this model motorcycle manufactured primarily for sale in California includes a catalytic converter system.

### 3. Evaporative Emission Control System

Vapors caused by fuel evaporation in the fuel system are not vented into the atmosphere. Instead, fuel vapors are routed into the running engine to be burned, or stored in a canister when the engine is stopped. Liquid fuel is caught by a vapor separator and returned to the fuel tank.

The Clean Air Act, which is the Federal law covering motor vehicle pollution, contains what is commonly referred to as the Act's "tampering provisions."

"Sec. 203(a) The following acts and the causing thereof are prohibited...

- (3)(A) for any person to remove or render inoperative any device or element of design installed on or in a motor vehicle or motor vehicle engine in compliance with regulations under this title prior to its sale and delivery to the ultimate purchaser, or for any manufacturer or dealer knowingly to remove or render inoperative any such device or element of design after such sale and delivery to the ultimate purchaser.
- (3)(B) for any person engaged in the business of repairing, servicing, selling, leasing, or trading motor vehicles or motor vehicle engines, or who operates a fleet of motor vehicles knowingly to remove or render inoperative any device or element of design installed on or in a motor vehicle or motor vehicle engine in compliance with regulations under this title following its sale and delivery to the ultimate purchaser..."

(Continued on next page.)

#### NOTE

- *The phrase "remove or render inoperative any device or element of design" has been generally interpreted as follows:*
- 1. Tampering does not include the temporary removal or rendering inoperative of devices or elements of design in order to perform maintenance.*
  - 2. Tampering could include:*
    - a. Maladjustment of vehicle components such that the emission standards are exceeded.*
    - b. Use of replacement parts or accessories which adversely affect the performance or durability of the motorcycle.*
    - c. Addition of components or accessories that result in the vehicle exceeding the standards.*
    - d. Permanently removing, disconnecting, or rendering inoperative any component or element of design of the emission control systems.*

**WE RECOMMEND THAT ALL DEALERS OBSERVE THESE PROVISIONS OF FEDERAL LAW, THE VIOLATION OF WHICH IS PUNISHABLE BY CIVIL PENALTIES NOT EXCEEDING \$10,000 PER VIOLATION.**

#### TAMPERING WITH NOISE CONTROL SYSTEM PROHIBITED

Federal law prohibits the following acts or the causing thereof: (1) The removal or rendering inoperative by any person other than for purposes of maintenance, repair, or replacement, of any device or element of design incorporated into any new vehicle for the purpose of noise control prior to its sale or delivery to the ultimate purchaser or while it is in use, or (2) the use of the vehicle after such device or element of design has been removed or rendered inoperative by any person.

Among those acts presumed to constitute tampering are the acts listed below:

- Replacement of the original exhaust system or muffler with a component not in compliance with Federal regulations.
- Removal of the muffler(s) or any internal portion of the muffler(s).
- Removal of the air box or air box cover.
- Modifications to the muffler(s) or air intake system by cutting, drilling, or other means if such modifications result in increased noise levels.

# Foreword

This manual is designed primarily for use by trained mechanics in a properly equipped shop. However, it contains enough detail and basic information to make it useful to the owner who desires to perform his own basic maintenance and repair work. A basic knowledge of mechanics, the proper use of tools, and workshop procedures must be understood in order to carry out maintenance and repair satisfactorily. Whenever the owner has insufficient experience or doubts his ability to do the work, all adjustments, maintenance, and repair should be carried out only by qualified mechanics.

In order to perform the work efficiently and to avoid costly mistakes, read the text, thoroughly familiarize yourself with the procedures before starting work, and then do the work carefully in a clean area. Whenever special tools or equipment are specified, do not use makeshift tools or equipment. Precision measurements can only be made if the proper instruments are used, and the use of substitute tools may adversely affect safe operation.

**For the duration of the warranty period,** we recommend that all repairs and scheduled maintenance be performed in accordance with this service manual. Any owner maintenance or repair procedure not performed in accordance with this manual may void the warranty.

To get the longest life out of your motorcycle:

- Follow the Periodic Maintenance Chart in the Service Manual.
- Be alert for problems and non-scheduled maintenance.
- Use proper tools and genuine Kawasaki Motorcycle parts. Special tools, gauges, and testers that are necessary when servicing Kawasaki motorcycles are introduced by the Special Tool Manual. Genuine parts provided as spare parts are listed in the Parts Catalog.
- Follow the procedures in this manual carefully. Don't take shortcuts.
- Remember to keep complete records of maintenance and repair with dates and any new parts installed.

---

## How to Use This Manual

---

In preparing this manual, we divided the product into its major systems. These systems became the manual's chapters. All information for a particular system from adjustment through disassembly and inspection is located in a single chapter.

The Quick Reference Guide shows you all of the product's system and assists in locating their chapters. Each chapter in turn has its own comprehensive Table of Contents.

The Periodic Maintenance Chart is located in the General Information chapter. The chart gives a time schedule for required maintenance operations.

If you want spark plug information, for example, go to the Periodic Maintenance Chart first. The chart tells you how frequently to clean and gap the plug. Next, use the Quick Reference Guide to locate the Electrical System chapter. Then, use the Table of Contents on the first page of the chapter to find the Spark Plug section.

Whenever you see these WARNING and CAUTION symbols, heed their instructions! Always follow safe operating and maintenance practices.

### **▲WARNING**

This warning symbol identifies special instructions or procedures which, if not correctly followed, could result in personal injury, or loss of life.

### **CAUTION**

This caution symbol identifies special instructions or procedures which, if not strictly observed, could result in damage to or destruction of equipment.

This manual contains four more symbols (in addition to WARNING and CAUTION) which will help you distinguish different types of information.

#### NOTE

- *This note symbol indicates points of particular interest for more efficient and convenient operation.*
- Indicates a procedural step or work to be done.
- Indicates a procedural sub-step or how to do the work of the procedural step it follows. It also precedes the text of a NOTE.
- ★ Indicates a conditional step or what action to take based on the results of the test or inspection in the procedural step or sub-step it follows.

In most chapters an exploded view illustration of the system components follows the Table of Contents. In these illustrations you will find the instructions indicating which parts require specified tightening torque, oil, grease or a locking agent during assembly.

# General Information

## Table of Contents

Before Servicing .....	1-2
Model Identification .....	1-4
General Specifications .....	1-6
Periodic Maintenance Chart .....	1-8
Technical Information – KLEEN (KAWASAKI LOW EXHAUST EMISSION) .....	1-10
Technical Information – Non-Contact Hall IC-Type Speed Sensor .....	1-17
Details:.....	1-17
Construction & Operation:.....	1-17
Speed Sensor Inspection .....	1-18
Technical Information – Alternator made from Rare Magnet .....	1-18
Rare Magnet Material:.....	1-18
Main Characters:.....	1-18
Torque and Locking Agent .....	1-19
Special Tools and Sealant .....	1-23
Cable, Wire, and Hose Routing .....	1-29



## 1-2 GENERAL INFORMATION

### Before Servicing

Before starting to service a motorcycle, careful reading of the applicable section is recommended to eliminate unnecessary work. Photographs, diagrams, notes, cautions, warnings, and detailed descriptions have been included wherever necessary. Nevertheless, even a detailed account has limitations, a certain amount of basic knowledge is also required for successful work.

#### Especially note the following:

- (1) **Dirt**

Before removal and disassembly, clean the motorcycle. Any dirt entering the engine or other parts will work as an abrasive and shorten the life of the motorcycle. For the same reason, before installing a new part, clean off any dust or metal filings.
- (2) **Battery Ground**

Remove the ground (-) lead from the battery before performing any disassembly operations on the motorcycle. This prevents: (a) the possibility of accidentally turning the engine over while partially disassembled. (b) sparks at electrical connections which will occur when they are disconnected. (c) damage to electrical parts.
- (3) **Installation, Assembly**

Generally, installation or assembly is the reverse of removal or disassembly. But if this Service Manual has installation or assembly procedures, follow them. Note parts locations and cable, wire, and hose routing during removal or disassembly so they can be installed or assembled in the same way. It is preferable to mark and record the locations and routing as much as possible.
- (4) **Tightening Sequence**

Generally, when installing a part with several bolts, nuts, or screws, start them all in their holes and tighten them to a snug fit. Then tighten them evenly in a cross pattern. This is to avoid distortion of the part and/or causing gas or oil leakage. Conversely when loosening the bolts, nuts, or screws, first loosen all of them by about a quarter turn and then remove them. Where there is a tightening sequence indication in this Service Manual, the bolts, nuts, or screws must be tightened in the order and method indicated.
- (5) **Torque**

When torque values are given in this Service Manual, use them. Either too little or too much torque may lead to serious damage. Use a good quality, reliable torque wrench.
- (6) **Force**

Common sense should dictate how much force is necessary in assembly and disassembly. If a part seems especially difficult to remove or install, stop and examine what may be causing the problem. Whenever tapping is necessary, tap lightly using a wooden or plastic-faced mallet. Use an impact driver for screws (particularly for the removal of screws held by a locking agent) in order to avoid damaging the screw heads.
- (7) **Edges**

Watch for sharp edges, especially during major engine disassembly and assembly. Protect your hands with gloves or a piece of thick cloth when lifting the engine or turning it over.
- (8) **High-Flash Point Solvent**

A high-flash point solvent is recommended to reduce fire danger. A commercial solvent commonly available in North America is Stoddard solvent (generic name). Always follow manufacturer and container directions regarding the use of any solvent.
- (9) **Gasket, O-Ring**

Do not reuse a gasket or O-ring once it has been in service. The mating surfaces around the gasket should be free of foreign matter and perfectly smooth to avoid oil or compression leaks.
- (10) **Liquid Gasket, Non-Permanent Locking Agent**

Follow manufacturer's directions for cleaning and preparing surfaces where these compounds will be used. Apply sparingly. Excessive amounts may block engine oil passages and cause serious damage. An example of a non-permanent locking agent commonly available in North America is Loctite Lock'n Seal (Blue).
- (11) **Press**

A part installed using a press or driver, such as a wheel bearing, should first be coated with oil on its outer or inner circumference so that it will go into place smoothly.
- (12) **Ball Bearing and Needle Bearing**

Do not remove a ball bearing or a needle bearing unless it is absolutely necessary. Replace any ball or needle bearings that were removed with new ones, as removal generally damages bearings. Install bearings with the marked side facing out applying pressure evenly with a suitable driver. Only press on the race that forms the press fit with the base component to avoid damaging the bearings. This prevents severe stress on the balls or needles and races, and prevent races and balls or needles from being dented. Press a ball bearing until it stops at the stops in the hole or on the shaft.

## (13) Oil Seal and Grease Seal

Replace any oil or grease seals that were removed with new ones, as removal generally damages seals.

When pressing in a seal which has manufacturer's marks, press it in with the marks facing out. Seals should be pressed into place using a suitable driver, which contacts evenly with the side of seal, until the face of the seal is even with the end of the hole. Before a shaft passes through a seal, apply a little high temperature grease on the lips to reduce rubber to metal friction.

## (14) Circlip, Retaining Ring, and Cotter Pin

Replace any circlips, retaining rings, and cotter pins that were removed with new ones, as removal weakens and deforms them. When installing circlips and retaining rings, take care to compress or expand them only enough to install them and no more.

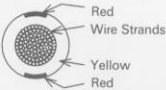
## (15) Lubrication

Engine wear is generally at its maximum while the engine is warming up and before all the rubbing surfaces have an adequate lubricative film. During assembly, oil or grease (whichever is more suitable) should be applied to any rubbing surface which has lost its lubricative film. Old grease and dirty oil should be cleaned off. Deteriorated grease has lost its lubricative quality and may contain abrasive foreign particles.

Don't use just any oil or grease. Some oils and greases in particular should be used only in certain applications and may be harmful if used in an application for which they are not intended. This manual makes reference to molybdenum disulfide grease ( $\text{MoS}_2$ ) in the assembly of certain engine and chassis parts. Always check manufacturer recommendations before using such special lubricants.

## (16) Electrical Wires

All the electrical wires are either single-color or two-color and, with only a few exceptions, must be connected to wires of the same color. On any of the two-color wires there is a greater amount of one color and a lesser amount of a second color, so a two-color wire is identified by first the primary color and then the secondary color. For example, a yellow wire with thin red stripes is referred to as a "yellow/red" wire; it would be a "red/yellow" wire if the colors were reversed to make red the main color.

Wire (cross-section)	Name of Wire Color
 <p>Red Wire Strands Yellow Red</p>	Yellow/Red

## (17) Replacement Parts

When there is a replacement instruction, replace these parts with new ones every time they are removed. These replacement parts will be damaged or lose their original function once removed.

## (18) Inspection

When parts have been disassembled, visually inspect these parts for the following conditions or other damage. If there is any doubt as to the condition of them, replace them with new ones.

Abrasion	Crack	Hardening	Warp
Bent	Dent	Scratch	Wear
Color change	Deterioration	Seizure	

## (19) Specifications

Specification terms are defined as follows:

"Standards": show dimensions or performances which brand-new parts or systems have.

"Service Limits": indicate the usable limits. If the measurement shows excessive wear or deteriorated performance, replace the damaged parts.

## 1-4 GENERAL INFORMATION

---

### Model Identification

---

ZX600-G1 Left Side View:



ZX600-G1 Right Side View:



ZX600-H1 Left Side View:



ZX600-H1 Right Side View:



# 1-6 GENERAL INFORMATION

## General Specifications

Items	ZX600-G1	H1	
<b>Dimensions:</b>			
Overall length	2 025 mm, (FG)(GR)(NR)(SW) 2 055 mm	2 055 mm	
Overall width	715 mm	←	
Overall height	1 160 mm	←	
Wheelbase	1 400 mm	←	
Road clearance	140 mm	←	
Seat height	815 mm	←	
Dry mass	176 kg, (CA) 178 kg	177 kg	
Curb mass: Front	103 kg	←	
Rear	97 kg, (CA) 99 kg	98 kg	
Fuel tank capacity	18.0 L	←	
<b>Performance:</b>			
Minimum turning radius	3.2 m	←	
<b>Engine:</b>			
Type	4-stroke, DOHC, 4-cylinder	←	
Cooling system	Liquid-cooled	←	
Bore and stroke	66.0 x 43.8 mm	←	
Displacement	599 mL	←	
Compression ratio	11.8	←	
Maximum horsepower	79.4 kW (108 PS) @12 000 r/min (rpm), (AS) 78.4 kW (106.6 PS) @12 000 r/min (rpm), (FG) 72 kW (98 PS) @12 000 r/min (rpm), (FR) 78.2 kW (106.3 PS) @12 000 r/min (rpm) (UTAC's norm), (SW) 43 kW (58.5 PS) @10 500 r/min (rpm), (CN)(ML) 78.7 kW (107 PS) @12 000 r/min (rpm), (US) ---	(FG) 72 kW (98 PS) @12 000 r/min (rpm) (ST) 78.7 kW (107 PS) @12 000 r/min (rpm)	
Maximum torque	65.7 N-m(6.7 kg-m, 48 ft-lb) @10 000 r/min (rpm), (AS) 64.7 N-m (6.6 kg-m, 48 ft-lb) @9 000 r/min (rpm), (FG) 62 N-m (6.3 kg-m, 46 ft-lb) @10 000 r/min (rpm), (SW) 51 N-m (5.2 kg-m, 38 ft-lb) @6 000 r/min (rpm), (CN)(ML) 65 N-m (6.63 kg-m, 48 ft-lb) @10 000 r/min (rpm) (FR)(UK)(US) ---	(FG) 62 N-m (6.3 kg-m, 46 ft-lb) @6 000 r/min (rpm) (ST) 65 N-m (6.63 kg-m, 48 ft-lb) @10 000 r/min (rpm)	
Carburetion system	Carburetors, Mikuni BDSR 36R x 4	←	
Starting system	Electric starter	←	
Ignition system	Battery and coil (transistorized)	←	
Timing advance	Electronically advanced(digital igniter)	←	
Ignition timing	From 12.5° BTDC @1 300 r/min (rpm) to 35° BTDC @5 000 r/min (rpm)	←	
Spark plug	NGK CR9E or ND U27ESR-N	←	
Cylinder numbering method	Left to right, 1-2-3-4	←	
Firing order	1-2-4-3	←	
Valve timing:			
Inlet	Open	58° BTDC	←
	Close	78° ABDC	←
	Duration	316°	←
Exhaust	Open	66° BBDC	←
	Close	46° ATDC	←
	Duration	292°	←

Items	ZX600-G1	H1
Lubrication system	Forced lubrication (wet sump with cooler)	←
Engine oil:		
Grade	SE, SF or SG class	←
Viscosity	SAE10W-40, 10W-50, 20W-40, or 20W-50	←
Capacity	4.0 L	←
<b>Drive Train:</b>		
Primary reduction system:		
Type	Gear	←
Reduction ratio	2.022 (89/44)	←
Clutch type	Wet multi disc	←
Transmission:		
Type	6-speed, constant mesh, return shift	←
Gear ratios:		
1st	2.923 (38/13)	←
2nd	2.062 (33/16)	←
3rd	1.631 (31/19)	←
4th	1.380 (29/21)	←
5th	1.217 (28/23)	←
6th	1.083 (26/24)	←
Final drive system:		
Type	Chain drive	←
Reduction ratio	2.666 (40/15)	←
Overall drive ratio	5.843 @Top gear	←
<b>Frame:</b>		
Type	Tubular, diamond	←
Caster (rake angle)	23.5°	←
Trail	91 mm	←
Front tire: Type	Tubeless	←
Size	120/60 ZR17 (55W)	←
Rear tire: Type	Tubeless	←
Size	170/60 ZR17 (72W)	←
Front suspension:		
Type	Telescopic fork	←
Wheel travel	120 mm	←
Rear suspension:		
Type	Swingarm (uni-trak)	←
Wheel travel	135 mm	←
Brake type: Front	Dual disc	←
Rear	Single disc	←
<b>Electrical Equipment:</b>		
Battery	12 V 8 Ah	←
Headlight: Type	Semi-sealed beam	←
Bulb	12V60/55W (quartz-halogen),	←
Tail/brake light	12 V 5/21 W × 2, (CN)(US)(ML) 12 V 8/27 W × 2	12 V 5/21 W × 2
Alternator: Type	Three-phase AC	←
Rated output	20 A/ 14 V @5 000 r/min (rpm)	←

Specifications are subject to change without notice, and may not apply to every country.

(AS) : Australian Model  
 (CA) : California Model  
 (CN) : Canadian Model  
 (FG) : German Model  
 (FR) : French Model  
 (GR) : Greek Model

(KR) : Korean Model  
 (ML) : Malaysian Model  
 (NR) : Norwegian Model  
 (SW) : Swedish Model  
 (US) : U.S.A. Model  
 (UK) : U.K. Model

# 1-8 GENERAL INFORMATION

## Periodic Maintenance Chart

The scheduled maintenance must be done in accordance with this chart to keep the motorcycle in good running condition. **The initial maintenance is vitally important and must not be neglected.**

OPERATION	FREQUENCY	Whichever comes first		*ODOMETER READING									
		Every	1 000 km (600 mile)	6 000 km (4 000 mile)	12 000 km (7 500 mile)	18 000 km (12 000 mile)	24 000 km (15 000 mile)	30 000 km (20 000 mile)	36 000 km (24 000 mile)				
Spark plug – clean and gap †			•	•	•	•	•	•	•	•	•	•	•
Valve clearance – check †				•	•	•	•	•	•	•	•	•	•
Air suction valve – check †			•	•	•	•	•	•	•	•	•	•	•
Air cleaner element and air vent filter – clean#				•	•	•	•	•	•	•	•	•	•
Throttle grip play – check †		•		•		•		•		•		•	
Idle speed – check †		•		•		•		•		•		•	
Carburetor synchronization – check †				•		•		•		•		•	
Evaporative emission control system (CA) – check †		•	•	•	•	•	•	•	•	•	•	•	•
Engine oil – change #	6 months	•	•	•	•	•	•	•	•	•	•	•	•
Oil filter – replace		•		•		•		•		•		•	
Drive chain wear – check † #			•	•	•	•	•	•	•	•	•	•	•
Brake pad wear – check † #			•	•	•	•	•	•	•	•	•	•	•
Brake light switch – check †		•	•	•	•	•	•	•	•	•	•	•	•
Steering – check †		•	•	•	•	•	•	•	•	•	•	•	•
Front fork oil – change	2 years							•					
Rear shock absorber oil leak – check †				•		•		•		•		•	
Front fork oil leak – check †				•		•		•		•		•	
Tire wear – check †			•	•	•	•	•	•	•	•	•	•	•
Swingarm pivot, Uni-trak linkage – lubricate				•		•		•		•		•	
General lubrication – perform				•		•		•		•		•	
Nuts, bolts, and fasteners tightness – check †		•		•		•		•		•		•	
Drive chain – lubricate #	600 km		•	•	•	•	•	•	•	•	•	•	•
Drive chain slack – check † #	1000 km	•	•	•	•	•	•	•	•	•	•	•	•
Brake fluid level – check †	month	•	•	•	•	•	•	•	•	•	•	•	•
Clutch adjust – check †	month	•	•	•	•	•	•	•	•	•	•	•	•
Radiator hoses, connection – check †		•											
Brake fluid – change	2 years							•					
Brake master cylinder cup and dust seal – replace	4 years												
Coolant – change	2 years							•					
Caliper piston seal and dust seal – replace	4 years												
Steering stem bearing – lubricate	2 years							•					

# : Service more frequently when operating in severe conditions; dusty, wet, muddy, high speed, or frequent starting/stopping.

\* : For higher odometer readings, repeat at the frequency interval established here.

† : Replace, add, adjust, clean, or torque if necessary.

(CA): California Model only

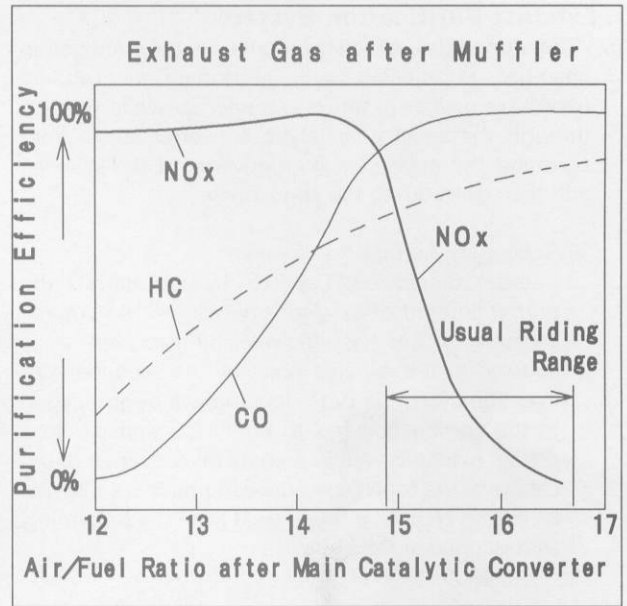
## Technical Information - KLEEN (KAWASAKI LOW EXHAUST EMISSION)

The ZX600G (California), and the ZX600H (Germany and Switzerland) have catalytic converters.

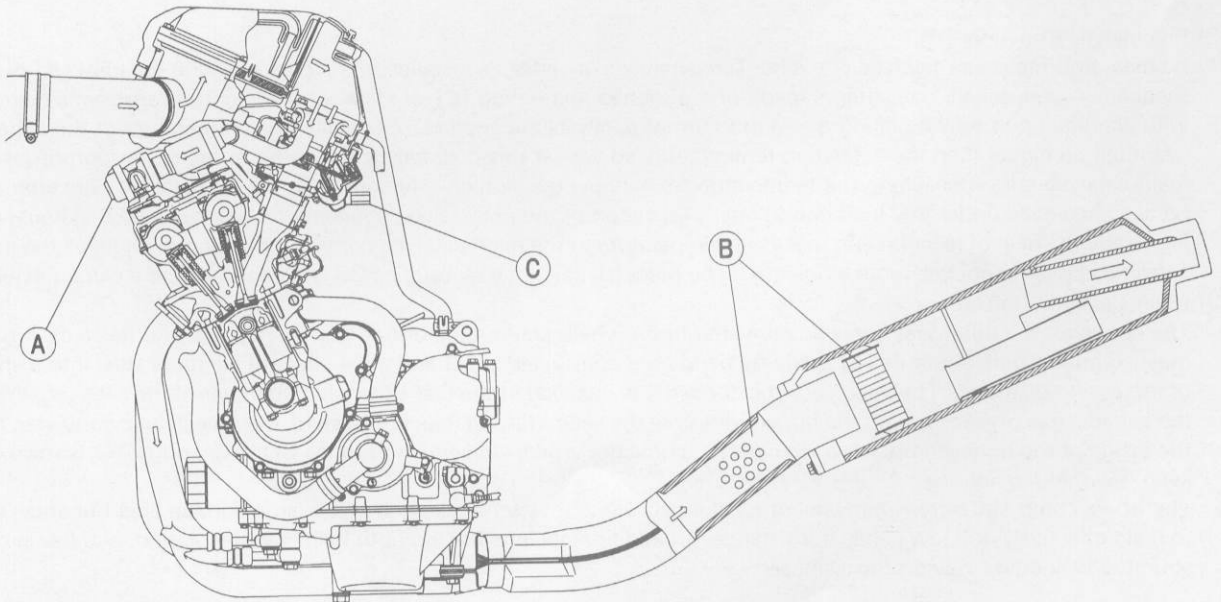
The secondary air injection system [A] helps Kawasaki keep motorcycle exhaust gases below the established emission regulation limits. This system draws air into the exhaust ports, dilutes and burns harmful ingredients in the exhaust gas in order to reduce them. This allows the carburetor to be set at a reasonable setting position without adjusting it much leaner, so engine performance and actual riding performance are not spoiled.

But, under the trend that the emission regulation becomes more severe, Kawasaki has adopted two catalytic converters [B] in addition to the secondary air injection system. As a result, we can reduce the exhaust gas emission below the current standards without hurting the output performance and the actual riding feeling at all. The harmful ingredients in the exhaust gas under LA4 or EC-mode running performance were reduced considerably. As actual examples, carbon monoxide (CO) is reduced about 70%, hydrocarbons (HC) about 60%, nitrogen oxides (NOx) about 10%.

Moreover, in order to improve the reliability of the system, we install fuel cut valves [C] as a catalyst protection system.



### Kawasaki Low Exhaust Emission System



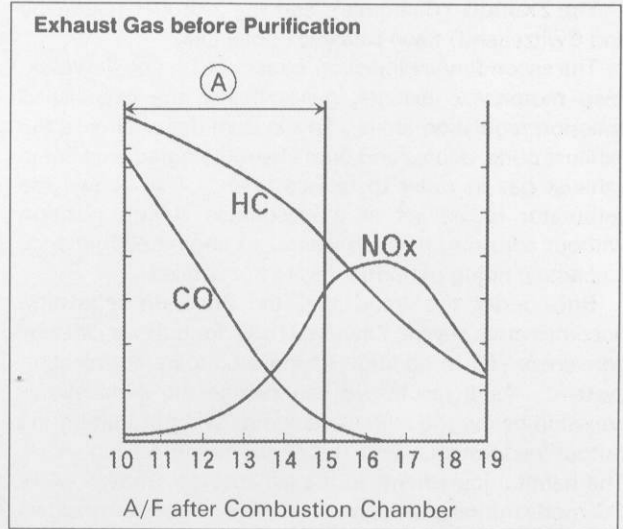


## 1. Exhaust Purification System

The burned gas, which goes out from the combustion chamber, is injected with secondary air (adding necessary oxygen), and is cleaned up while passing through the small precatalytic converter at the joint pipe and the main catalytic converter at the silencer, and then goes out to the atmosphere.

### 1) Secondary Air Injection System

In order to oxidize CO and HC by the catalysts, the proper amount of oxygen is necessary. As original combustion gas has little remaining oxygen, air is injected in the exhaust ports by the secondary air injection system in order to supply enough oxygen to the combustion gas to purify CO and HC to a certain extent as well as prepare for activation of the catalysts. As for NOx, as the carburetor is set at rich level [A], NOx is at lower level from the beginning as described in the figure.



### 2) Precatalytic Converter [A]

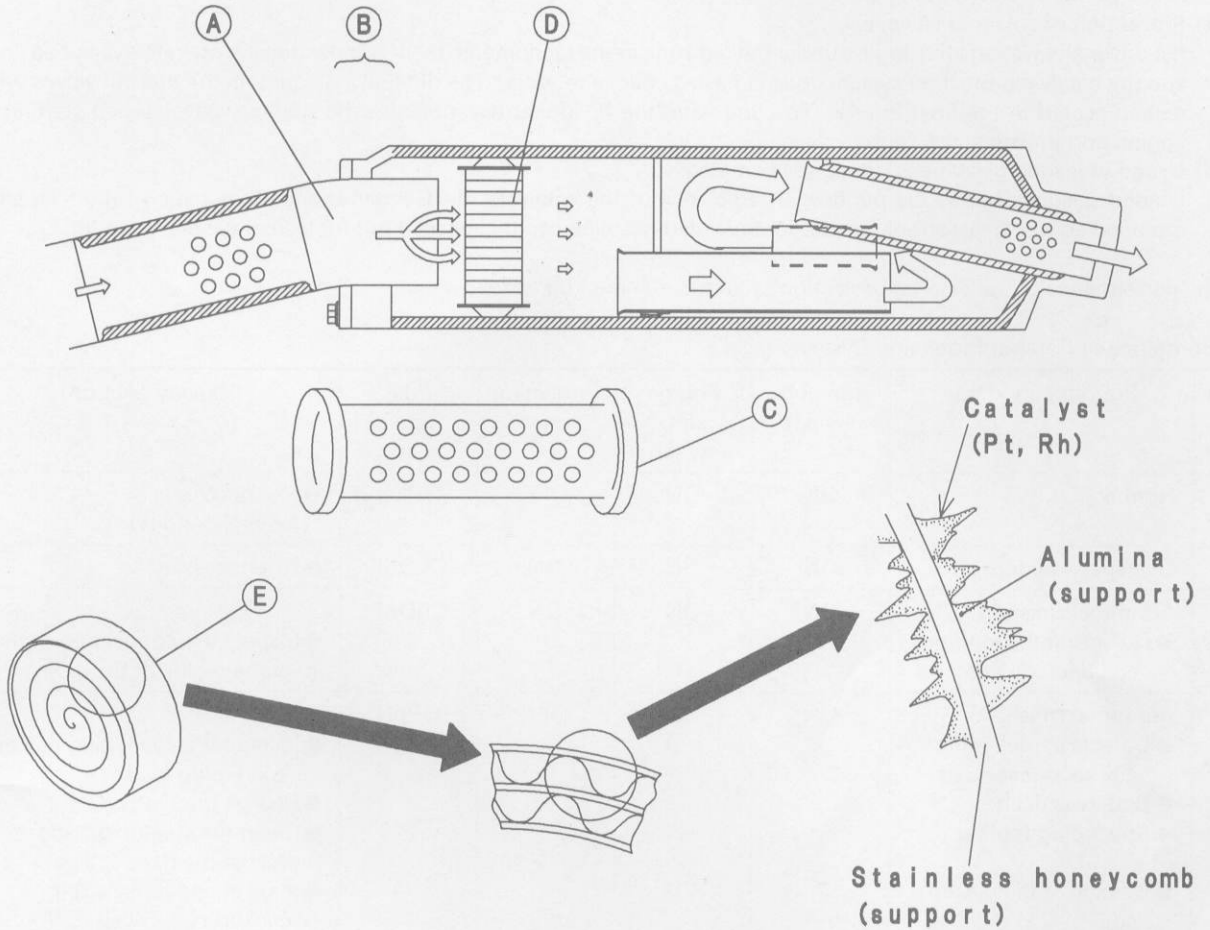
A small-size three-way catalytic converter (precatalytic converter) is installed in the pipe ahead at the joint [B] of the silencer. A precatalytic converter is made of a punched metal pipe [C] of stainless steel, and its surface is covered with alumina upon which platinum and rhodium as catalysts are applied. Generally, the temperature of the exhaust gas must be higher than the activation temperature, so we set this precatalytic converter at the upper portion of the main catalytic converter where the temperature of exhaust gas is high. Accordingly, the precatalytic converter will be activated even under low load conditions. Activation of the precatalytic converter makes the passed exhaust gas heated by the heat of reaction and makes its temperature to the main catalytic converter higher, which helps the main catalytic converter operate more efficiently. The precatalytic converter purifies CO, HC, and NOx to a certain extent.

### 3) Main Catalytic Converter [D]

The converter is a three-way catalytic converter upon which platinum and rhodium are applied, and has a cylindrical metallic honeycomb structure [E] made by bending a corrugated sheet and a flat sheet of stainless steel into a spiral of increasing diameter. The main catalytic converter is installed in the first expansion chamber of the silencer. When the exhaust gas passes through the upper portion of the secondary air injection system, the precatalytic converter, and the inside of the honeycomb, the main catalytic converter works efficiently to reduce CO, HC, and NOx. So, we can keep it within regulation.

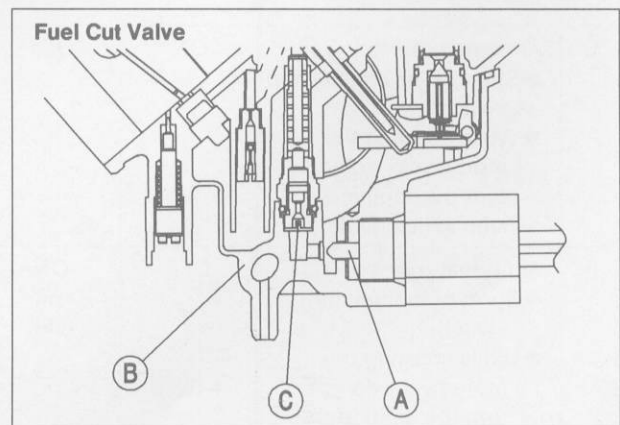
The honeycomb structure is convenient for the catalytic converter because it has a large surface area but small size to react effectively and low exhaust resistance. In addition, its inherent strength helps resist vibration, and has simple structure welded directly on the silencer.

## Catalytic Converters



## 2. Catalyst Protection System

When excessive unburned gasoline flows more than the allowable amount into the exhaust gas during running, the temperature of the catalysts rises abnormally because the unburned gasoline reacts with catalysts heated (at the activation temperature or higher). In an excessive case, the problem such as melting-down occurs. Moreover, there is a possibility that the purification performance becomes poorer when it is cool (below the activation temperature). So, the fuel cut valve [A] as a catalyst protection system is installed on each carburetor float bowl [B]. It runs by the IC Igniter and opens and closes the fuel passage toward a main jet [C]. A catalyst protection system works in the following cases.



- 1) Prevention of unburned gasoline from flowing when overspeed limiter works.  
The limiter has fuel cut-off and ignition cut-off operations.
- 2) Prevention of unburned gasoline from flowing when the engine stop switch is turned off during running.  
When the engine stop switch is turned off while coasting the motorcycle, fuel is cut off. For example, fuel is cut off under the abnormal running condition that you go down the slope with the engine stop switch OFF.

## 1-12 GENERAL INFORMATION

- 3) Prevention of unburned gasoline from flowing when misfire occurs by cut-off of a primary coil of an ignition coil and its faulty connection.

Fuel is cut off when an electric current of a primary coil becomes abnormal because of cut-off or defective connection of the primary coil when the engine is running.

- 4) Prevention of solenoid valve lock

If a driver always runs the engine under the red zone in the tachometer, the IC igniter doesn't operate overspeed limiter and the catalyst protection system doesn't have a chance to work. The old fuel may gum up the fuel cut valves which remain seated in the float bowls. To cope with, the IC igniter test-operates the fuel cut valves when starting the engine and prevents lock of the valves.

- 5) Usage of leaded gasoline is prohibited completely.

Leaded gasoline harms the purification efficiency of the catalysts. In German model, the shape of the filler cap is modified so that a gas supply nozzle for unleaded gasoline can be installed but for leaded gasoline cannot.

The performance of the catalyst protection system is summed up as follows.

[Performance of Catalyst Protection System]

No	Running condition	Ignition switch	Engine stop switch	Protection system	Fuel cut valve	Remedy (Action)
1	Normal	ON	ON	OFF	OPEN	● Not necessary (Normal condition)
2	Overspeed performance	ON	ON	ON	CLOSE	● Not necessary
3	Abnormal (misfire) ● Defects at the ignition coil primary-side	ON	ON	ON	CLOSE	● Inspect the connection at the primary-side of the ignition coil.
4	Abnormal (misfire) ● Defects at the ignition coil secondary-side ● Battery is dead. ● Spark plug fouling  ● Defects of the pickup coil ● Defects of the IC igniter  ● Defects of the carburetor	ON	ON	OFF	OPEN	● Inspect the spark plug cap and spark plug lead. ● Charge the battery. ● Clean the spark plug and adjust the gap. ● Inspect and replace the pickup coil. ● Inspect and replace the IC igniter. ● Inspect and adjust the carburetor.
5	Abnormal (no spark) ● Short of the engine stop switch ● While coasting the motorcycle, do not turn the engine stop switch OFF.	ON	OFF	ON	CLOSE	● Inspect and repair the engine stop switch. ● Turn the engine stop switch ON, and run.
6	Abnormal (no spark) ● Short of the ignition switch ● While coasting the motorcycle, do not turn the ignition switch OFF.	OFF	ON or OFF	OFF	OPEN	● Inspect and replace the ignition switch. ● Turn the ignition switch and the engine stop switch ON, and run.

### 3. Maintenance

Special maintenance is not necessary except for the inspection of the air suction valve (which has been described in manuals).

#### 1) Replacement of Muffler Assy

It is impossible to replace only catalytic converters because they are welded in the muffler. So, in the following case, the replacement of the muffler assy is also necessary.

- In case of using not-appointed fuel (leaded gasoline, etc.):

Purification efficiency decreases in a very short period because lead poisons the catalytic converters. Although the appearance of the converter and engine performance are not effected, the replacement of a muffler assy is necessary to secure the purification efficiency of exhaust gas.

- In case catalytic converters melt down by over-heating:

Especially in the case that a lot of unburned gasoline flows into the catalytic converters under the extreme running condition far beyond common sense, there is a possibility that the catalysts overreact and that catalytic converters overheat severely. If they melt down, it causes poor engine performance, deterioration of emission noise level and purification efficiency. So, the muffler assy must be replaced.

#### 2) Durability

It has the same durability as a conventional muffler.

#### 3) Disposal to Waste

As any harmful toxic substance is not used especially, it can be disposed as usual industrial wastes. The body of the muffler is made of aluminum, steel, and stainless steel. The catalytic converter is made of stainless steel which has alumina on its surface, and the main ingredients of catalysts are platinum and rhodium.

### 4. Handling Precautions

Catalyst protection system against mishandling is applied to a vehicle with catalysts. But, we prohibit depending on the system too much when running.

#### 1) Use only unleaded gasoline:

Usage of leaded gasoline is prohibited completely. Only fuel and additives which are specified in the Owner's Manual can be used.

#### 2) Use specified engine oil which is described in the Owner's Manual:

In case of some ingredients which give bad effects to the catalysts (such as phosphorus "P", lead "Pb", sulfur "S") are included, the purification efficiency decreases.

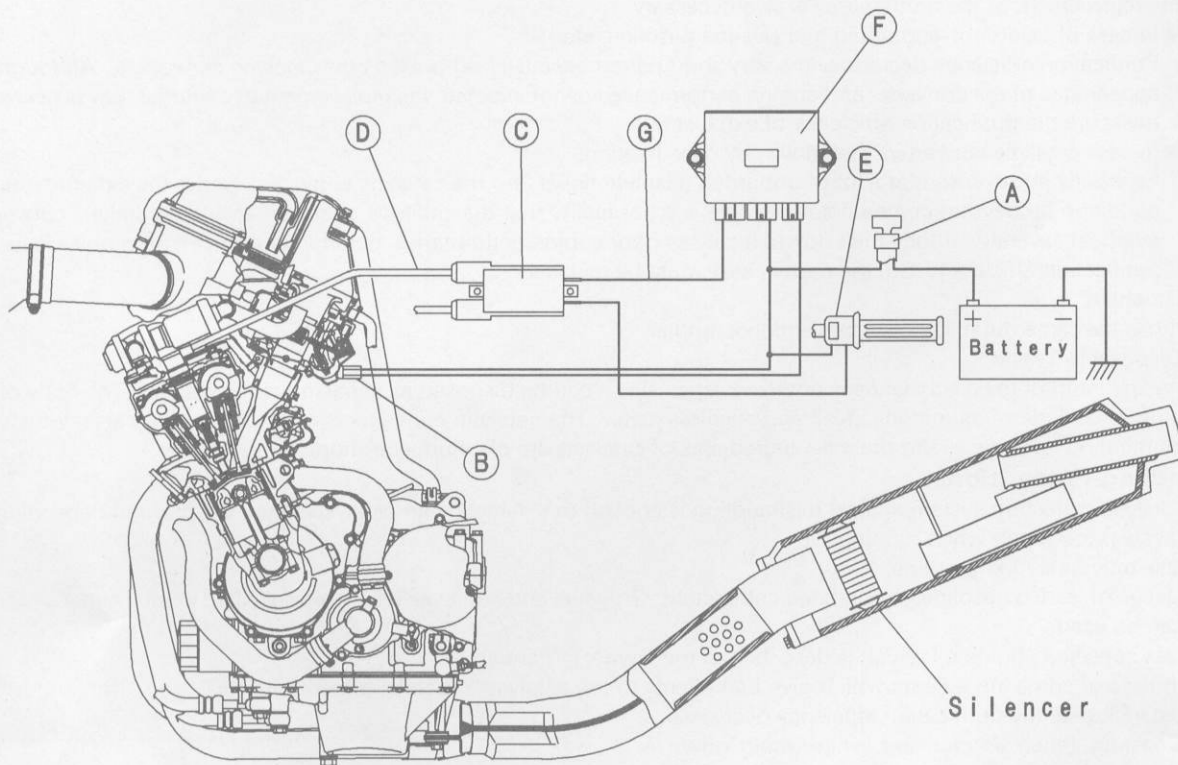
#### 3) Coasting (such as cranking while going down a slope) is prohibited with the ignition system OFF:

The engine running without igniting causes a great flow of unburned gasoline and the decreasing of purification efficiency, and melting down of catalysts at the activation temperature or higher.



- When the ignition switch [A] is turned off, the fuel cut valves [B] do not work. So, avoid coasting with the ignition switch OFF.
- Do not run the engine nor coast the motorcycle under the misfire which occurs by defects such as a bad connection with the spark plug at the secondary wiring [D] of the ignition coil [C].
- Do not coast too much with the engine stop switch [E] OFF. (Under the condition that the engine stop switch is turned off during running, the IC igniter [F] closes the fuel cut valves to shut off fuel.)
- Do not run the engine nor coast the motorcycle too much under the condition that the primary wiring [G] of the ignition coil does not connect completely (misfire). (Incomplete connection or cut-off of the primary coil makes the fuel cut valves start to cut fuel. In this case, from the standpoint to protect the catalysts, the fuel for all cylinders is cut off even if one cylinder has been affected.)

**Kawasaki Low Exhaust Emission System**



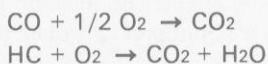
- Do not run overspeed limiter too much from the standpoint to protect the engine. (Overspeed limiter has a protection system that applies ignition cut method and fuel cut method together. Conventional system applies fuel-on method.)
- Do not run the engine under the condition that even if only one cylinder has a misfire or has unstable running. In this case, request the nearest service facility to correct it. If you have no choice but running by yourself, keep engine rpm as low as possible and try to finish running at the shortest period.
- When the battery is dead, do not push-start. Connect another full-charged battery with jumper cables, and start the engine.

**5. Additional Information**

1) Secondary Air Injection System

The mechanism is simple and power loss is minimum because the system uses the vacuum pressure created by exhaust pulses.

The secondary injection air helps the fuel/air mixture burn more completely. (The primary air means air which flows through the inlet pipe.) As the exhaust valve opens, and the burned fuel passes the exhaust valve, a stream of fresh air is introduced through the air suction valve. This fresh air burns the unburned gas and converts the carbon monoxide (CO) and hydrocarbons (HC) into harmless carbon dioxide (CO<sub>2</sub>) and water (H<sub>2</sub>O).



The secondary air injection system consists of a vacuum switch valve, and two air suction valves. Without using an air pump, the air suction valve can draw fresh air into the exhaust passage near the exhaust valves by vacuum that exhaust pulses generate.

### Air Suction Valves

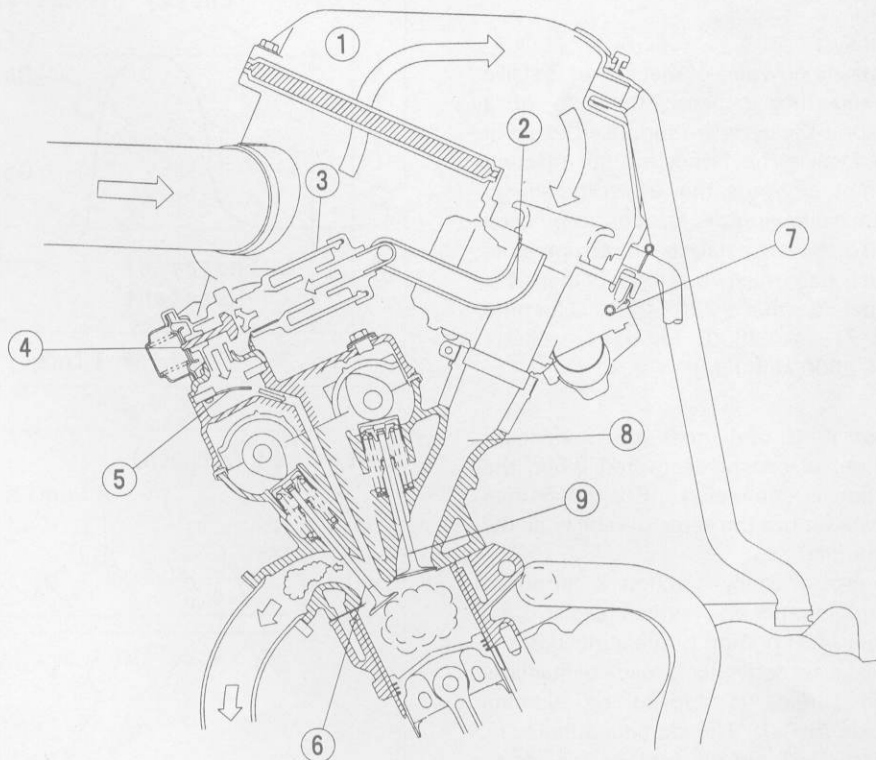
The air suction valve is a check valve which allows fresh air to flow only from the air cleaner via air hoses into the exhaust port and prevents return flow. Remove and inspect the air suction valves periodically (see Engine Top End chapter). Also, remove and inspect the air suction valves whenever the idle speed is unstable, engine power is greatly reduced, or there are abnormal engine noises.

### Vacuum Switch Valve

Although the vacuum switch valve usually permits secondary air flow, it closes when a high vacuum (low pressure) is developed at the inlet pipe during engine braking. This is to shut off secondary air flow and prevent explosions in the exhaust ports which might be caused by extra unburned fuel in the exhaust during deceleration. These explosions, or backfiring in the exhaust system could damage the air suction valves.

Regular inspection of the vacuum switch valve is not needed. If backfiring occurs frequently in the exhaust system during engine braking or if there are abnormal engine noises, check the vacuum switch valve as described in the text (see Engine Top End chapter).

### Secondary Air Injection System

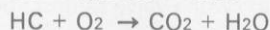
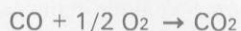


- |                        |                        |                |
|------------------------|------------------------|----------------|
| 1. Air Cleaner Housing | 4. Vacuum Switch Valve | 7. Carburetors |
| 2. Air Hose            | 5. Air Suction Valve   | 8. Inlet Pipe  |
| 3. Inlet Silencer      | 6. Exhaust Valve       | 9. Inlet Valve |

## 2) Operation of Three-way Catalytic Converter

The three-way catalysts are used for the pre-catalytic converter and the main catalytic converter. These converters can clean up carbon monoxide (CO), hydrocarbons (HC), and nitrogen oxides (NO<sub>x</sub>) at the same time.

CO and HC are oxidized (O is added) by platinum (Pt) and converted to harmless carbon dioxide gas (CO<sub>2</sub>) and water (H<sub>2</sub>O), and the exhaust gas is cleaned up:



NO<sub>x</sub> is reduced (O is removed) by rhodium (Rh) and converted to harmless nitrogen (N<sub>2</sub>) and oxygen (O<sub>2</sub>), and the exhaust gas is cleaned up.



## 3) Property of Catalyst

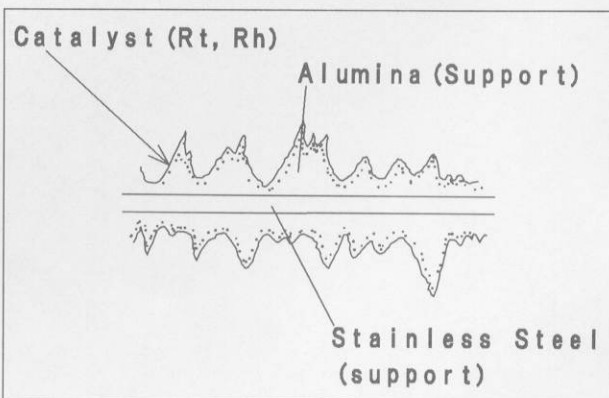
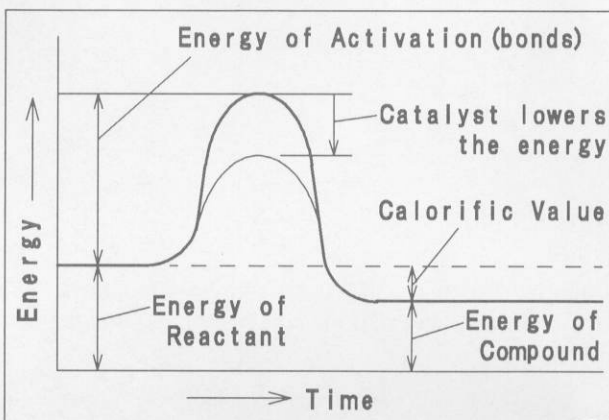
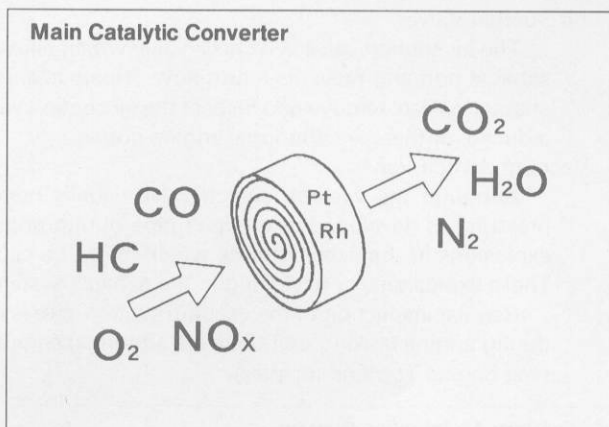
Most catalysts are powders of metal or of metallic compounds, and they increase the rate of a chemical reaction. Catalysts are supposed to act in some way to loosen the bonds of the reacting substances. In other words, they lower the energy of activation, thus allowing the reaction to proceed more rapidly. To activate catalysts, the temperature of the exhaust gas must be higher than the activation temperature that is 220° ~ 230°C for new catalysts, and 270° ~ 280°C for used catalysts (after 10000 ~ 20000 km ride).

The catalyst itself undergoes no permanent chemical change, or can be recovered when the chemical reaction is completed. So, the muffler with built-in catalyst has the same durability as the conventional muffler.

The mechanism of catalytic action is supposed to be a surface phenomenon in which reactants are adsorbed onto a small portion of the surface of the catalyst. The catalytic converter is made of stainless steel and the surface is applied by alumina (aluminum oxide Al<sub>2</sub>O<sub>3</sub>). The alumina adheres to the stainless steel wall and the catalyst adheres to the alumina very well. The alumina surface is not uniform and there are corners, edges, dislocations, and grain boundaries. Catalyst is applied on the alumina and this makes the catalyst surface rough.

The rougher the surface is, the more actively the catalyst adsorbs the reactants. If various impurities like lead are adsorbed, they block the small portion of the catalyst surface, preventing adsorption of CO, HC, and NO<sub>x</sub>. This is the reason why leaded fuel poisons the catalyst without any break on the surface and generation of heat.

Catalysts are generally efficient in small quantities. A catalyst can catalyze the reaction of several thousand to a million times its weight in reactants. The three-way catalyst is a blend of platinum (Pt) and rhodium (Rh) which are expensive. But a pre-catalytic converter uses only about 0.05 gram of Pt and 0.01 gram of Rh and a main catalytic converter uses only about 0.4 grams of Pt and 0.1 gram of Rh.

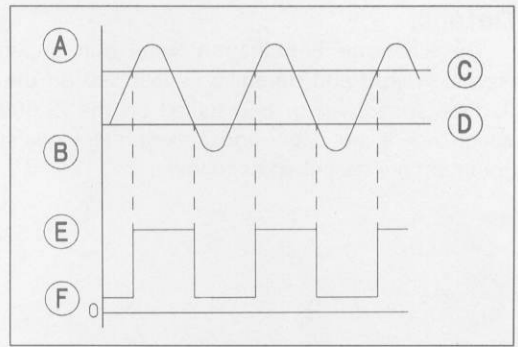






## 1-18 GENERAL INFORMATION

- In the internal system of the Hall IC, the switch is operated in accordance with the magnetic induction alternator. This makes the square wave equal to the pulse of the rotor nut output.
  - Amount of magnetic induction when large [A]
  - Amount of magnetic induction when small [B]
  - Operating point [C]
  - Returning point [D]
  - When high voltage [E]
  - When low voltage [F]
- The vehicle speed is indicated in the speedometer, altering the pulse of this square wave.



### *Speed Sensor Inspection*

- Refer to the chapter 15-48.

## Technical Information – Alternator Made from Rare Magnet

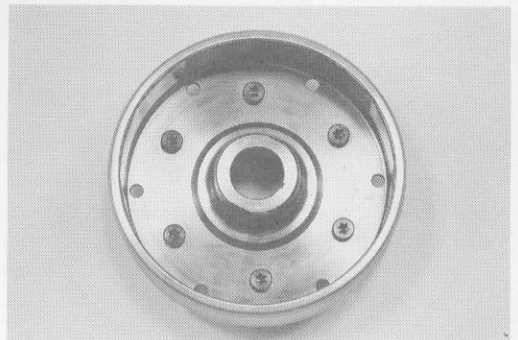
### **Rare Magnet Material:**

Sintered metal made from mainly neodymium (Nd), ferric magnet (Fe), and boron (B).

### **Main Characters:**

Rare magnet used and assembled in the alternator for the ZX600-G and H models has six (6) times higher performance than that of the traditional use ferrite magnet.

This allows the alternator to reduce its mass and weight to the large extent. In addition to above mentioned, there's no use to worry about the future lackage of rare magnetic resources such as samarium cobalt.



**Torque and Locking Agent**

The following tables list the tightening torque for the major fasteners requiring use of a non-permanent locking agent or liquid gasket.

Letters used in the "Remarks" column mean:

- L** : Apply a non-permanent locking agent to the threads.
- LG** : Apply liquid gasket to the threads.
- Lh** : Left-hand threads.
- M** : Apply molybdenum disulfide grease.
- O** : Apply an oil to the threads and seating surface.
- S** : Tighten the fasteners following the specified sequence.
- SS** : Apply silicone sealant.
- St** : Stake the fasteners to prevent loosening.
- R** : Replacement parts

The table below, relating tightening torque to thread diameter, lists the basic torque for the bolts and nuts. Use this table for only the bolts and nuts which do not require a specific torque value. All of the values are for use with dry solvent-cleaned threads.

**Basic Torque for General Fasteners**

Threads dia. (mm)	Torque		
	N-m	kg-m	ft-lb
5	3.4 ~ 4.9	0.35 ~ 0.50	30 ~ 43 in-lb
6	5.9 ~ 7.8	0.60 ~ 0.80	52 ~ 69 in-lb
8	14 ~ 19	1.4 ~ 1.9	10.0 ~ 13.5
10	25 ~ 34	2.6 ~ 3.5	19.0 ~ 25
12	44 ~ 61	4.5 ~ 6.2	33 ~ 45
14	73 ~ 98	7.4 ~ 10.0	54 ~ 72
16	115 ~ 155	11.5 ~ 16.0	83 ~ 115
18	165 ~ 225	17.0 ~ 23.0	125 ~ 165
20	225 ~ 325	23 ~ 33	165 ~ 240

Fastener	Torque			Remarks
	N-m	kg-m	ft-lb	
<b>Fuel System:</b>				
Vacuum Valve Drain Screw	1.0	0.10	9 in-lb	
<b>Cooling System:</b>				
Water Hose Clamp Screws	2.0	0.20	17 in-lb	
Coolant By-pass Fitting	9.8	1.0	87 in-lb	L
Coolant Plug	9.8	1.0	87 in-lb	
Coolant Drain Plug (Water Pump)	9.8	1.0	87 in-lb	
Coolant Drain Plugs (Cylinder)	9.8	1.0	87 in-lb	
Radiator Fan Switch	18	1.8	13.0	
Water Temperature Sensor	7.8	0.80	69 in-lb	SS
Impeller Bolt	9.8	1.0	87 in-lb	
Water Pump Cover Bolts	12	1.2	104 in-lb	L
Thermostat Housing Cover Bolts	5.9	0.60	52 in-lb	
Water Hose Fitting Bolts	11	1.1	95 in-lb	
<b>Engine Top End:</b>				
Spark Plugs	13	1.3	113 in-lb	
Air Suction Valve Cover Bolts	13	1.3	113 in-lb	
Cylinder Head Cover Bolts	9.8	1.0	87 in-lb	
Pickup Coil Cover Bolts	12	1.2	104 in-lb	L (1)
Camshaft Chain Tensioner Mounting Bolts	11	1.1	95 in-lb	
Camshaft Chain Tensioner Cap Bolt	5.4	0.55	48 in-lb	
Camshaft Cap Bolts	12	1.2	104 in-lb	
Camshaft Chain Guide Bolts (Upper)	12	1.2	104 in-lb	
Cylinder Head Bolts: $\phi$ 10	49	5.0	36	S, O (Washer)
$\phi$ 6	12	1.2	104 in-lb	S
Cylinder Head Jacket Plugs (Right)	15	1.5	11.0	L
Cylinder Head Jacket Plugs (Upper, Left)	20	2.0	14.5	L
Engine Side Cover Bolts	12	1.2	104 in-lb	
Camshaft Chain Guide Bolt (Crankcase)	25	2.5	18.0	
Carburetor Holder Bolts	12	1.2	104 in-lb	
Baffle Plate Bolts	5.9	0.60	52 in-lb	

# 1-20 GENERAL INFORMATION

Fastener	Torque			Remarks
	N-m	kg-m	ft-lb	
Muffler and Exhaust Pipe Connection Nuts	34	3.5	25	
Exhaust Pipe Clamp Bolts	34	3.5	25	
<b>Clutch</b>				
Clutch Cover Bolts	12	1.2	104 in-lb	L (2, Front)
Clutch Cover Damper Bolts	5.9	0.60	52 in-lb	L
Clutch Spring Bolts	8.8	0.90	78 in-lb	
Clutch Hub Nut	130	13.5	98	R
<b>Engine Lubrication System:</b>				
Oil Filler Plug	1.5 or Hand-Tight	0.15 or Hand-Tight	13 in-lb or Hand-Tight	
Engine Drain Plug	20	2.0	14.5	
Oil Filter(Cartridge type)	9.8	1.0	87 in-lb	R, O
Oil Cooler Mounting Bolt	78	8.0	58	O
Oil Pan Bolts	12	1.2	104 in-lb	
Oil Pipe Holder Bolts	13	1.3	113 in-lb	
Oil Pressure Relief Valve	15	1.5	11.0	L
Oil Pressure Switch	15	1.5	11.0	SS
Oil Pressure Switch Terminal Bolt	1.5	0.15	13 in-lb	
Impeller Bolt	9.8	1.0	87 in-lb	
Oil Passage Plug (Right)	15	1.5	11.0	
Oil Hose Banjo Bolts	25	2.5	18.0	
<b>Engine Removal/Installation:</b>				
Engine Mounting Bolts and Nuts	44	4.5	33	
Engine Mounting Bracket Bolts	23	2.3	16.5	
Engine Mounting Clamp Bolts	23	2.3	16.5	
<b>Crankshaft/Transmission:</b>				
Breather Plate Bolts	9.8	1.0	87 in-lb	L
Breather Tube Bracket Bolts	11	1.1	95 in-lb	
Crankcase Bolts	31	3.2	23	S
φ 7	20	2.0	14.5	S
φ 6, L38 (Front, 6)	18	1.8	13.0	S
φ 6	12	1.2	104 in-lb	S
Oil Passage Plug (Left)	20	2.0	14.5	L
Oil Passage Plug (Right)	15	1.5	11.0	
Connecting Rod Big End Nuts	in the text	←	←	←
Engine Ground Lead Terminal Bolt	9.8	1.0	87 in-lb	
Timing Rotor Bolt	39	4.0	29	
Oil Pressure Switch	15	1.5	11.0	SS
Gear Positioning Lever Bolt	13	1.3	113 in-lb	
Shift Shaft Return Spring Pin (Bolt)	28	2.9	21	L
Neutral Switch	15	1.5	11.0	
Shift Drum Bearing Holder Bolt	13	1.3	113 in-lb	
Shift Drum Bearing Holder Screw	5.4	0.55	48 in-lb	L
Shift Drum Cam Bolt	12	1.2	104 in-lb	L
Oil Pipe Holder Bolts	12	1.2	104 in-lb	
Pickup Coil Cover Bolts	12	1.2	104 in-lb	L (1)
Oil Nozzles	6.9	0.70	61 in-lb	L
<b>Wheels/Tires:</b>				
Front Axle Clamp Bolts	20	2.0	14.5	
Front Axle Nut	110	11.0	80	
Rear Axle Nut	110	11.0	80	

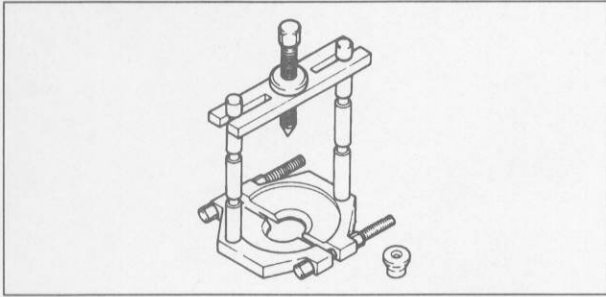
Fastener	Torque			Remarks
	N-m	kg-m	ft-lb	
<b>Final Drive:</b>				
Engine Sprocket Nut	125	13.0	94	O
Engine Sprocket Cover Bolts	12	1.2	104 in-lb	
Speed Sensor Mounting Bolt	6.9	0.70	61 in-lb	L
Rear Sprocket Nuts	59	6.0	43	
Rear Sprocket Studs	-	-	-	L
<b>Brakes:</b>				
Bleed Valves	7.8	0.80	69 in-lb	
Brake Hose Banjo Bolts	25	2.5	18.0	
Brake Lever Pivot Bolt	1.0	0.10	9 in-lb	
Brake Lever Pivot Bolt Locknut	5.9	0.60	52 in-lb	
Front Brake Reservoir Cap Stopper Screws	1.5	0.15	13 in-lb	
Front Brake Reservoir Bracket Bolt	6.9	0.70	61 in-lb	
Front Brake Light Switch Screws	1.0	0.10	9 in-lb	
Front Master Cylinder Clamp Bolts	11	1.1	95 in-lb	S
Pad Spring Screws (Front Caliper)	2.9	0.30	26 in-lb	
Caliper Mounting Bolts (Front)	34	3.5	25	
Caliper Assembly Bolts (Front)	21	2.1	15.0	
Front Brake Disc Mounting Bolts	23	2.3	16.5	L
Rear Brake Disc Mounting Bolts	23	2.3	16.5	L
Caliper Mounting Bolts (Rear)	25	2.5	18.0	
Rear Master Cylinder Mounting Bolts	23	2.3	16.5	
Rear Master Cylinder Push Rod Locknut	18	1.8	13.0	
<b>Suspension:</b>				
Front Fork Clamp Bolts (Upper)	20	2.0	14.5	
Front Fork Clamp Bolts (Lower)	20	2.0	14.5	
Front Fork Top Plugs	23	2.3	16.5	
Piston Rod Nut	28	2.9	21	
Front Fork Bottom Allen Bolts	39	4.0	29	L
Front Axle Clamp Bolts	20	2.0	14.5	
Rear Shock Absorber Nuts (Upper and Lower)	34	3.5	25	
Rear Shock Absorber Upper Bracket Nut	59	6.0	43	
Swingarm Pivot Shaft Nut	110	11.0	80	
Uni-Trak				
Rocker Arm Nut	34	3.5	25	
Tie-Rod Nuts	59	6.0	43	
<b>Steering:</b>				
Steering Stem Head Nut	49	5.0	36	
Steering Stem Nut	4.9	0.50	43 in-lb	
Handlebar Bolts	34	3.5	25	L
Handlebar Holder Bolts	23	2.3	16.5	
Handlebar Holder Position Bolts	9.8	1.0	87 in-lb	L
Handlebar Weight Screws	-	-	-	L
Handlebar Switch Housing Screws	3.4	0.35	30 in-lb	
<b>Frame:</b>				
Footpeg Holder Bolts	34	3.5	25	L
Side Stand Bracket Bolts	49	5.0	36	
Rear Frame Bolts and Nuts	44	4.5	33	
Rear Shock Absorber Upper Bracket Nut	59	6.0	43	
<b>Electrical System:</b>				
Spark Plugs	13	1.3	113 in-lb	
Alternator Rotor Bolt	120	12.0	87	
Stator Coil Bolts	12	1.2	104 in-lb	L
Alternator Lead Holding Plate Bolts	8.3	0.85	74 in-lb	L

## 1-22 GENERAL INFORMATION

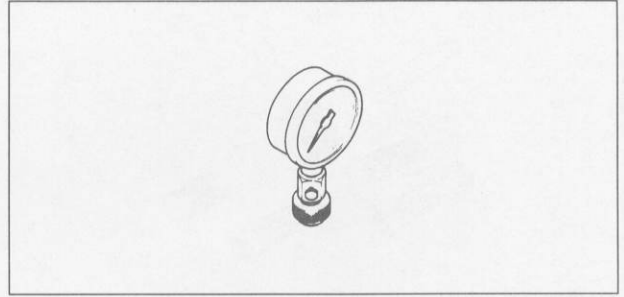
Fastener	Torque			Remarks	
	N-m	kg-m	ft-lb		
Engine Ground Lead Terminal Bolt	9.8	1.0	87 in-lb	L (1)	
Alternator Cover Bolts	12	1.2	104 in-lb		
Pickup Coil Cover Bolts	12	1.2	104 in-lb		
Pickup Coil Bolts	5.9	0.60	52 in-lb		
Timing Rotor Bolt	39	4.0	29		
Starter Motor Mounting Bolts	11	1.1	95 in-lb		
Starter Motor Clutch Bolts	34	3.5	25		L
Handlebar Switch Housing Screws	3.4	0.35	30 in-lb		SS
Radiator Fan Switch	18	1.8	13.0		
Water Temperature Sensor	7.8	0.80	69 in-lb		SS
Oil Pressure Switch	15	1.5	11.0	SS	
Oil Pressure Switch Terminal Bolt	1.5	0.15	13 in-lb		
Neutral Switch	15	1.5	11.0		
Starter Lockout Switch Screws	1.0	0.10	9 in-lb		
Front Brake Light Switch Screws	1.0	0.10	9 in-lb		
Throttle Sensor Mounting Screws	3.4	0.35	30 in-lb		

Special Tools and Sealant

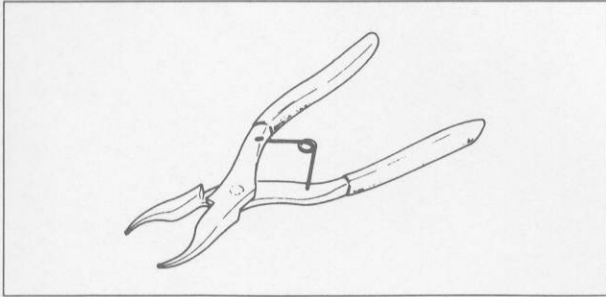
Bearing Puller: 57001-135



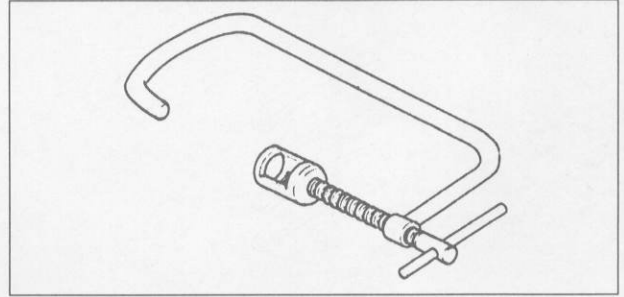
Compression Gauge: 57001-221



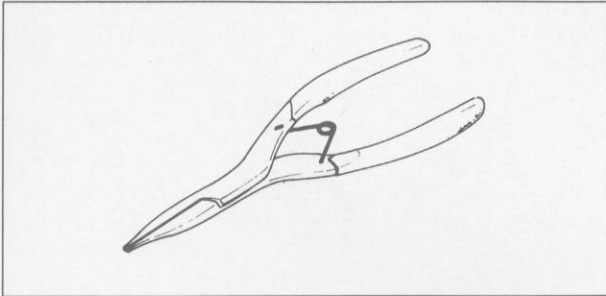
Inside Circlip Pliers: 57001-143



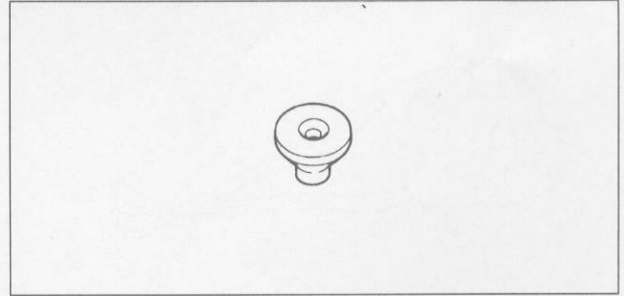
Valve Spring Compressor Assembly: 57001-241



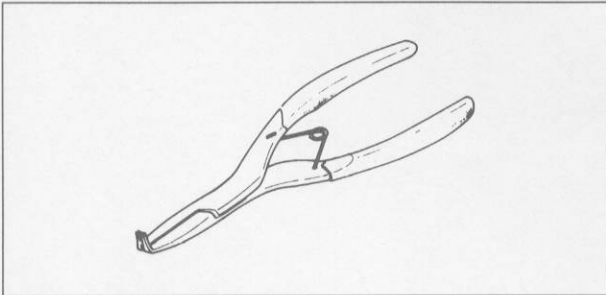
Outside Circlip Pliers: 57001-144



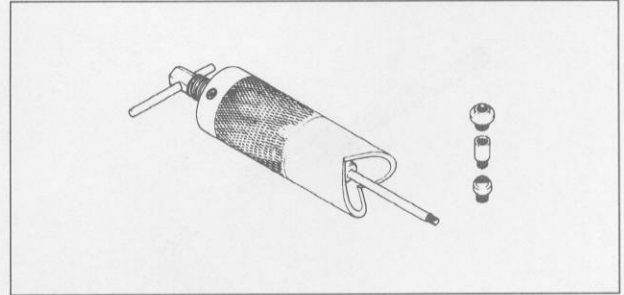
Bearing Puller Adapter: 57001-317



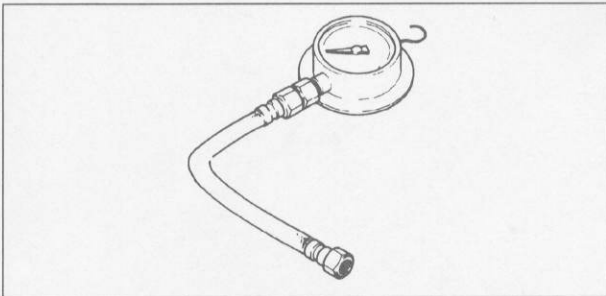
Circlip Pliers: 57001-154



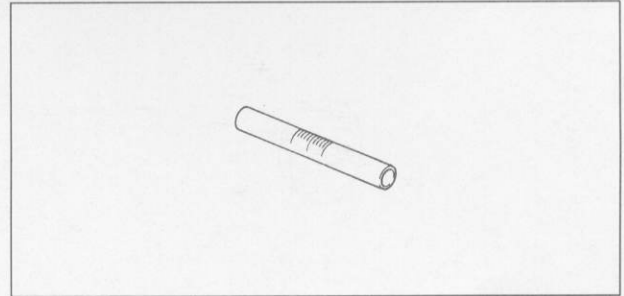
Piston Pin Puller Assembly: 57001-910



Oil Pressure Gauge, 10 kg/cm<sup>2</sup>: 57001-164

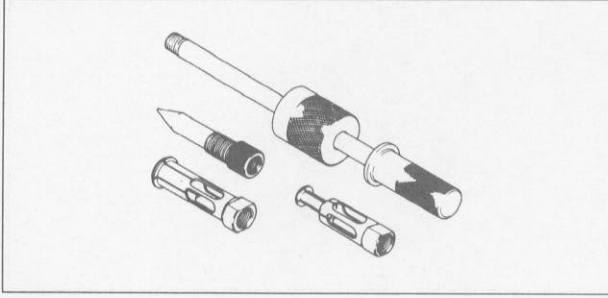


Fuel Level Gauge: 57001-1017

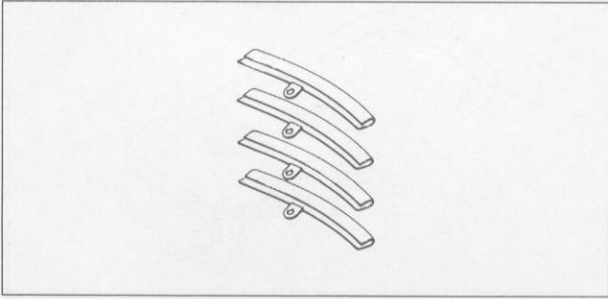


# 1-24 GENERAL INFORMATION

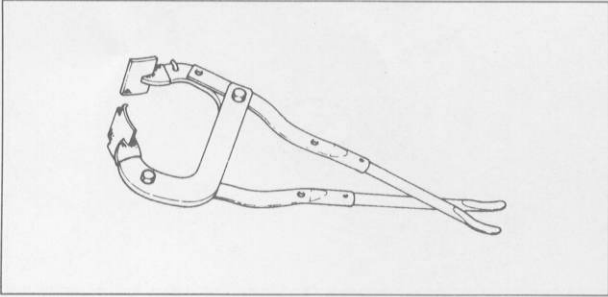
Oil Seal & Bearing Remover: 57001-1058



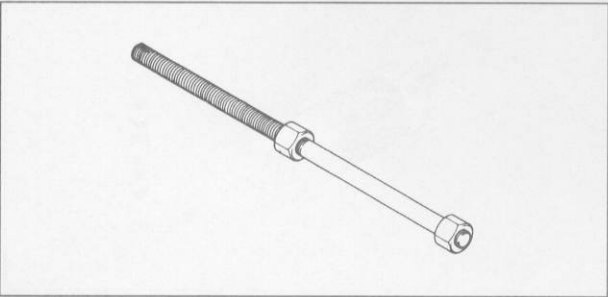
Rim Protector: 57001-1063



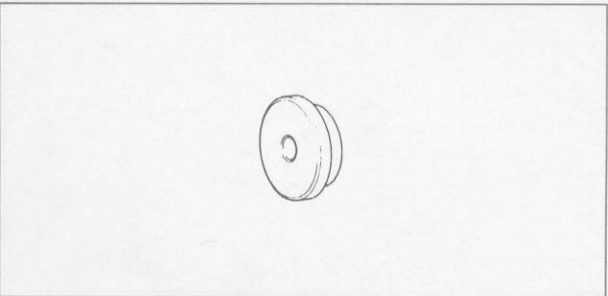
Bead Breaker Assembly: 57001-1072



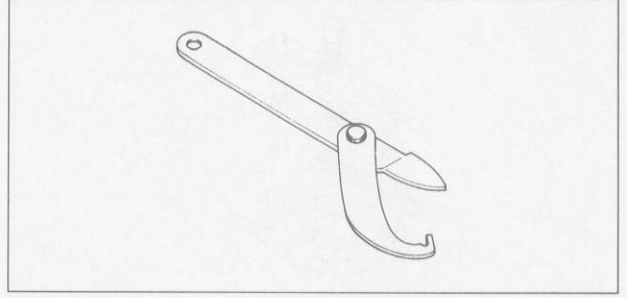
Head Pipe Outer Race Press Shaft: 57001-1075



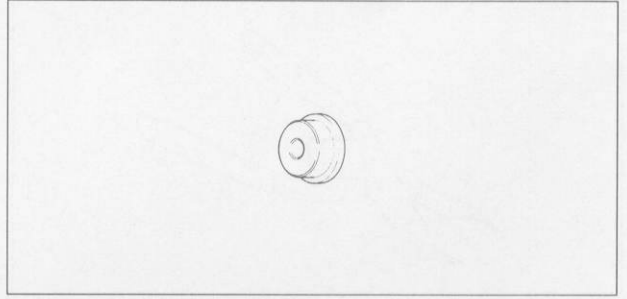
Head Pipe Outer Race Driver: 57001-1077



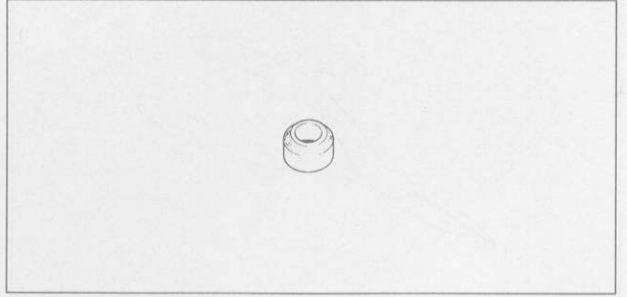
Steering Stem Nut Wrench: 57001-1100



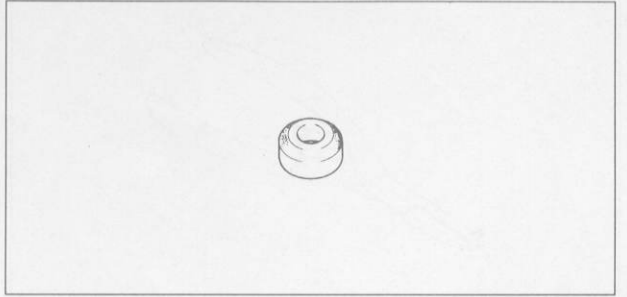
Head Pipe Outer Race Driver: 57001-1106



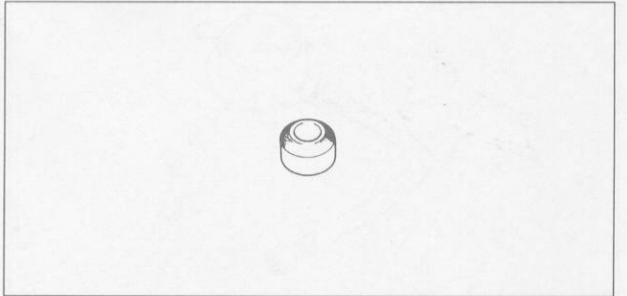
Valve Seat Cutter, 45° -  $\phi 24.5$ : 57001-1113



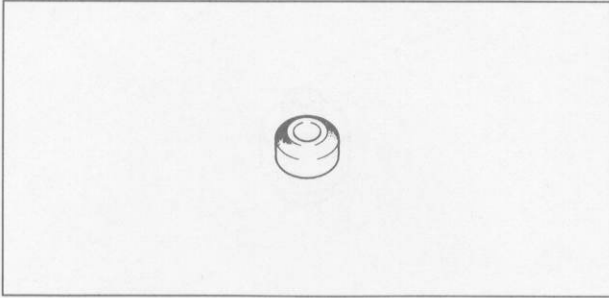
Valve Seat Cutter, 45° -  $\phi 27.5$ : 57001-1114



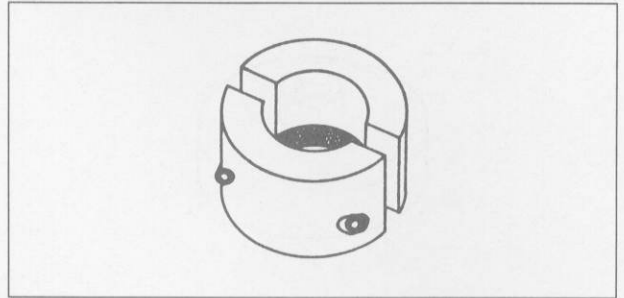
Valve Seat Cutter, 32° -  $\phi 25$ : 57001-1118



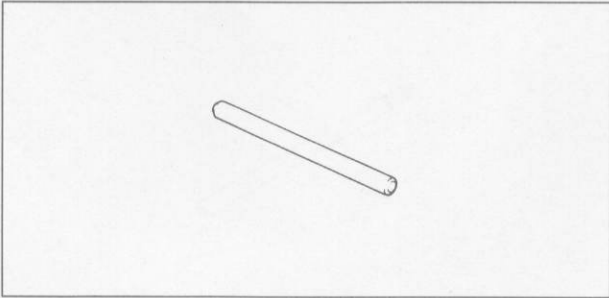
Valve Seat Cutter, 32° -  $\phi$ 28: 57001-1119



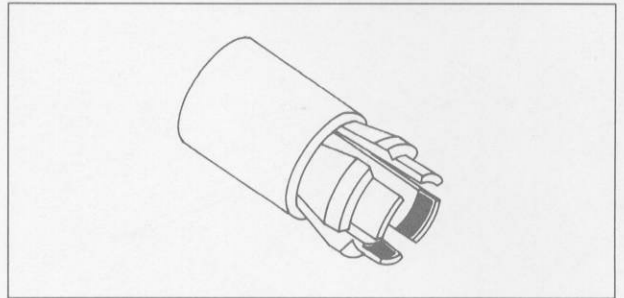
Fork Outer Tube Weight: 57001-1218



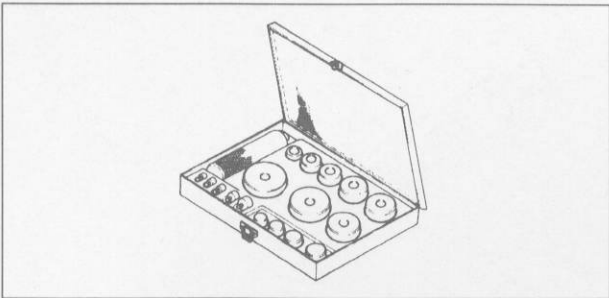
Valve Seat Cutter Holder Bar: 57001-1128



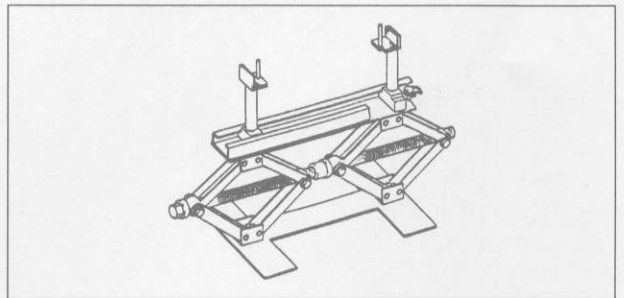
Front Fork Oil Seal Driver: 57001-1219



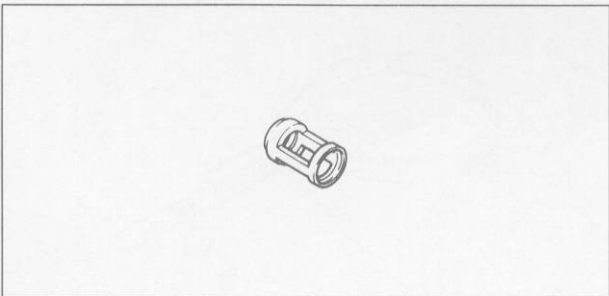
Bearing Driver Set: 57001-1129



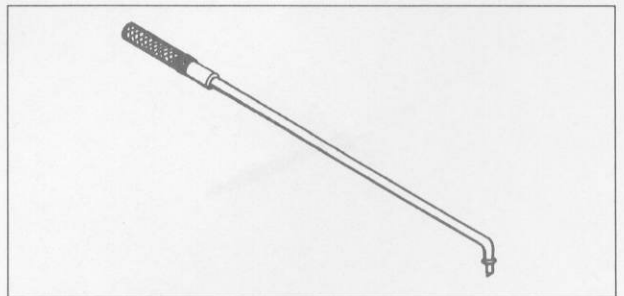
Jack: 57001-1238



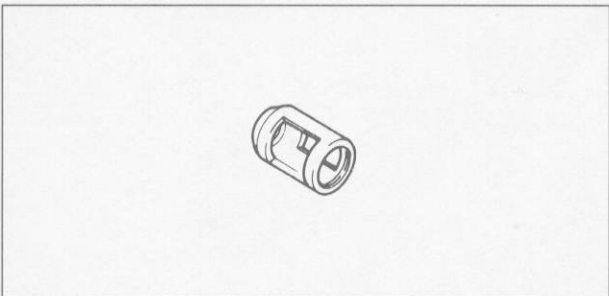
Valve Spring Compressor Adapter,  $\phi$ 20: 57001-1154



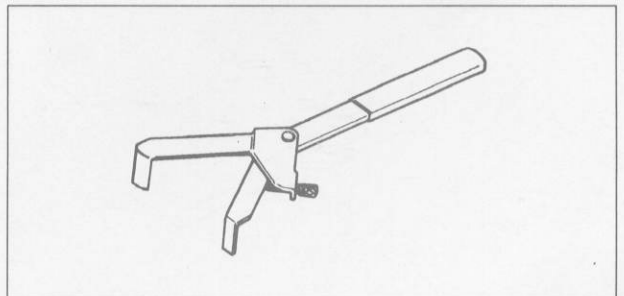
Pilot Screw Adjuster, A: 57001-1239



Valve Spring Compressor Adapter,  $\phi$ 22: 57001-1202



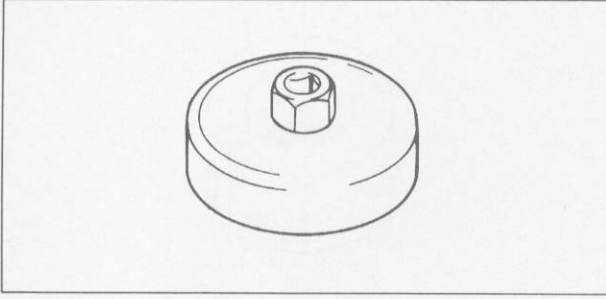
Clutch Holder: 57001-1243



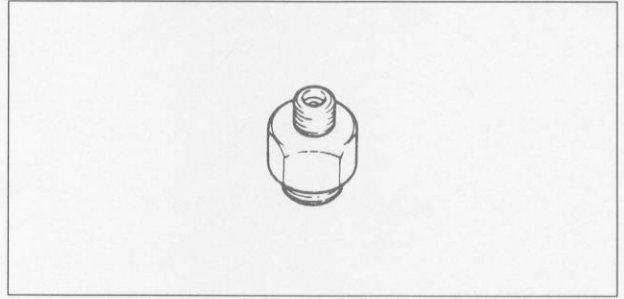


## 1-26 GENERAL INFORMATION

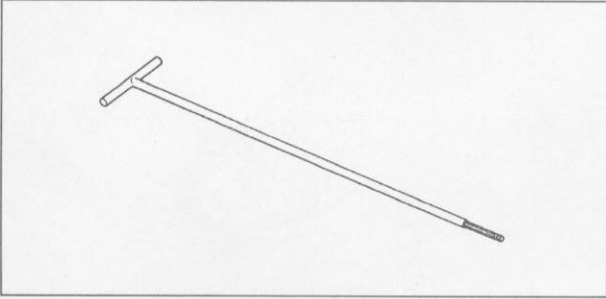
Oil Filter Wrench: 57001-1249



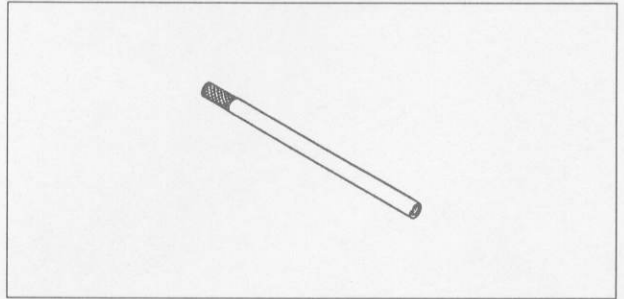
Oil Pressure Gauge Adapter, M18 x 1.5: 57001-1278



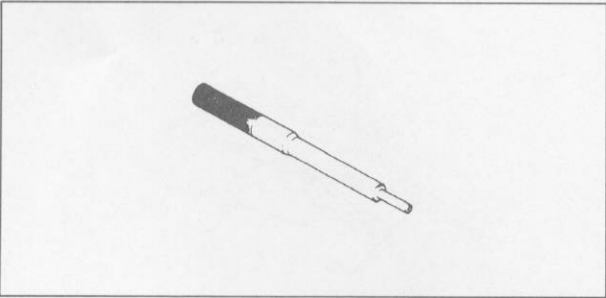
Carburetor Drain Plug Wrench, Hex 3: 57001-1269



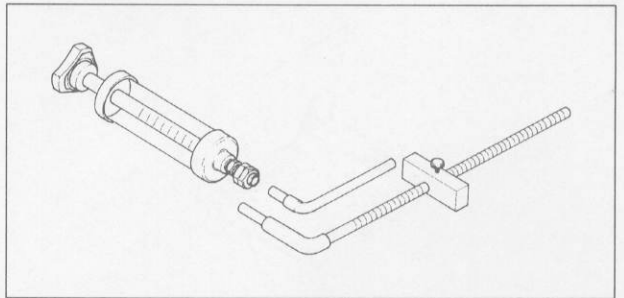
Fork Piston Rod Puller, M12 x 1.25: 57001-1289



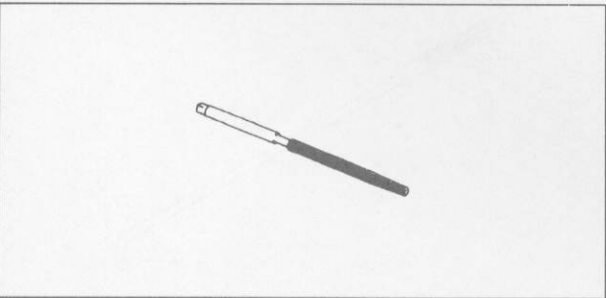
Valve Guide Arbor,  $\Phi 4$ : 57001-1273



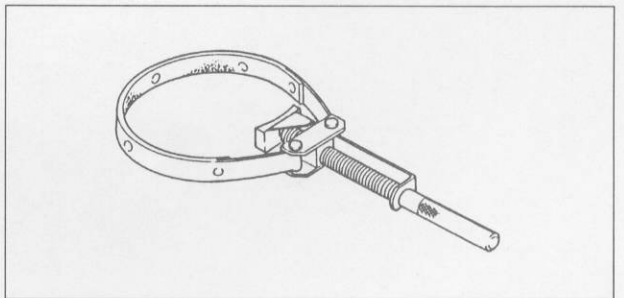
Fork Oil Level Gauge: 57001-1290



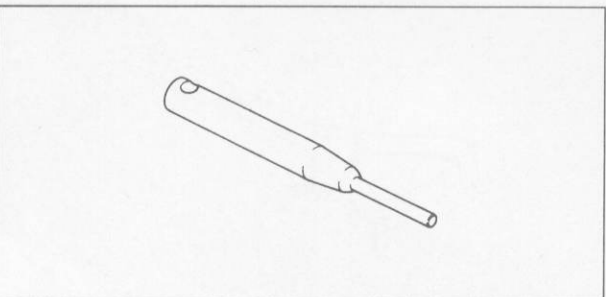
Valve Guide Reamer,  $\Phi 4$ : 57001-1274



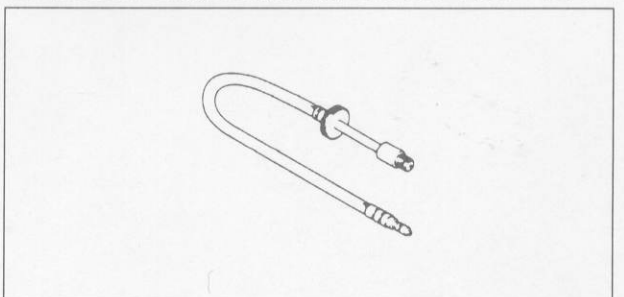
Flywheel Holder: 57001-1313



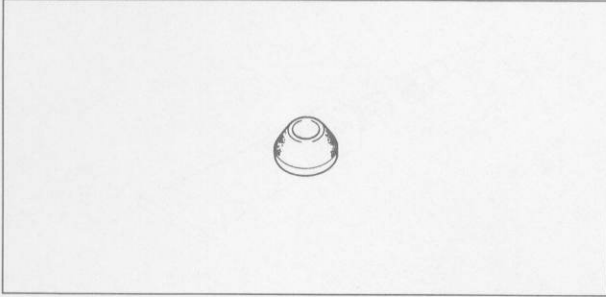
Valve Seat Cutter Holder,  $\Phi 4$ : 57001-1275



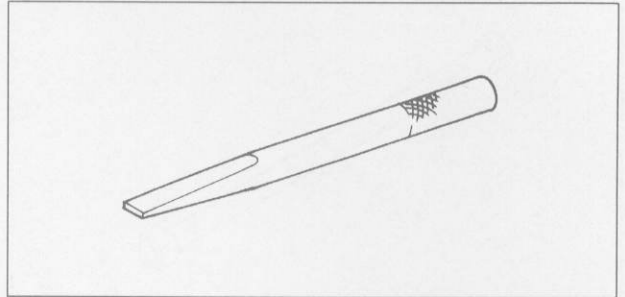
Compression Gauge Adapter, M10 X 1.0: 57001-1317



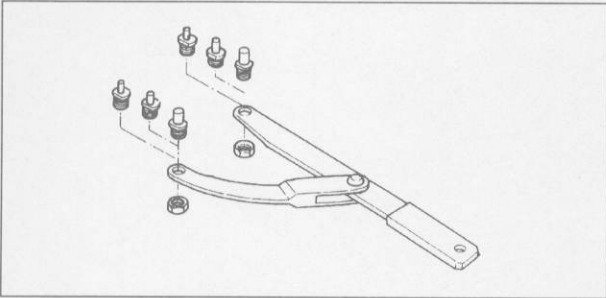
Valve Seat Cutter, 60° -  $\phi 25$ : 57001-1328



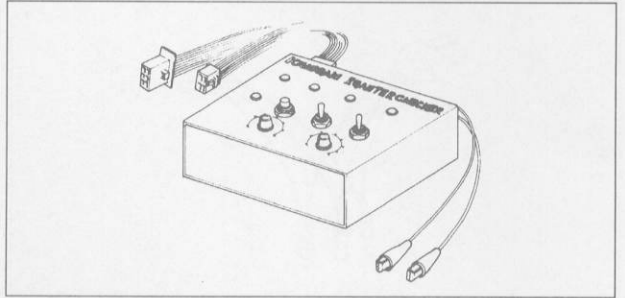
Bearing Remover Shaft,  $\phi 13$ : 57001-1377



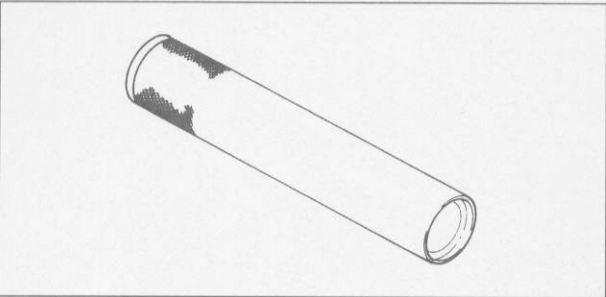
Flywheel & Pulley Holder: 57001-1343



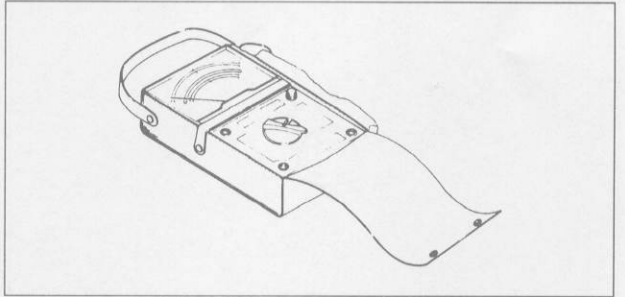
Igniter Checker Assembly: 57001-1378



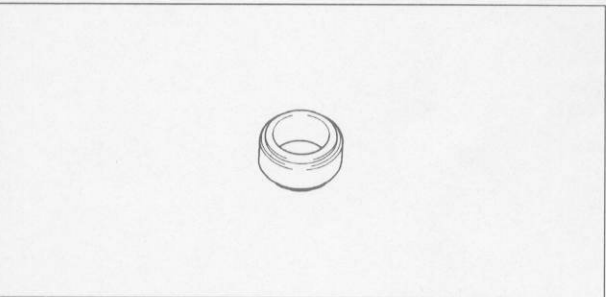
Steering Stem Bearing Driver: 57001-1344



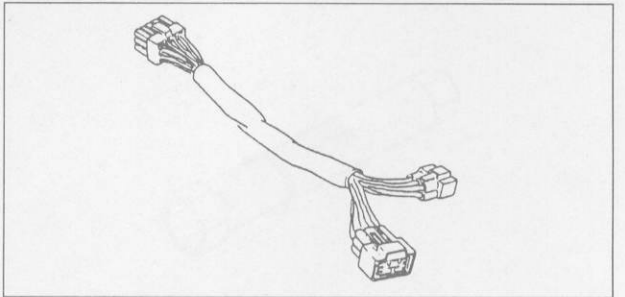
Hand Tester: 57001-1394



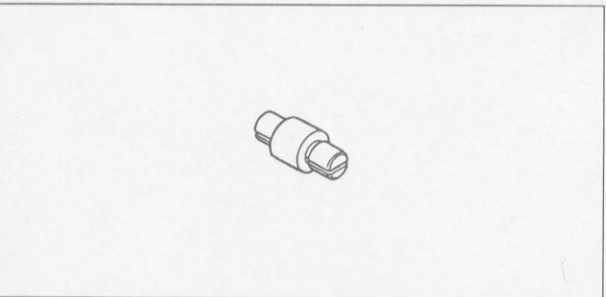
Steering Stem Bearing Driver Adapter: 57001-1345



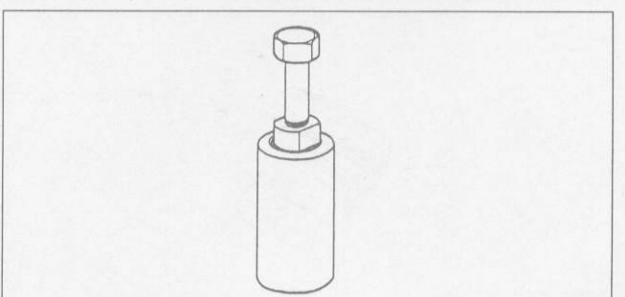
Harness Adapter #13: 57001-1399



Bearing Remover Head,  $\phi 25 \times \phi 28$ : 57001-1346

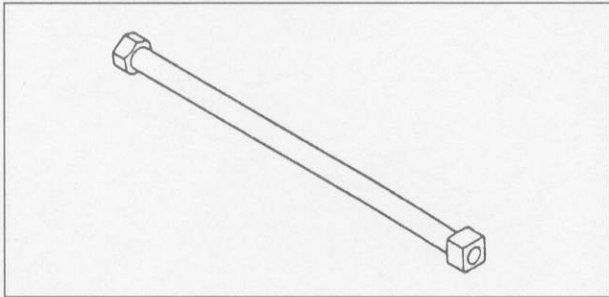


Rotor Puller, M38X1.5: 57001-1405

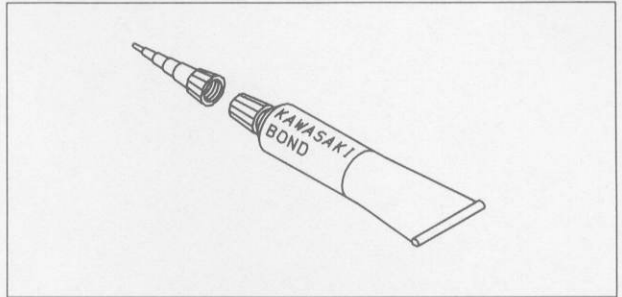


# 1-28 GENERAL INFORMATION

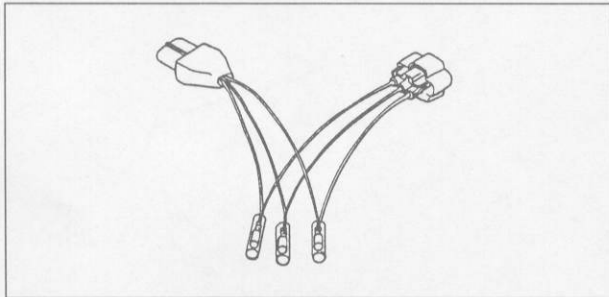
Fork Cylinder Holder: 57001-1406



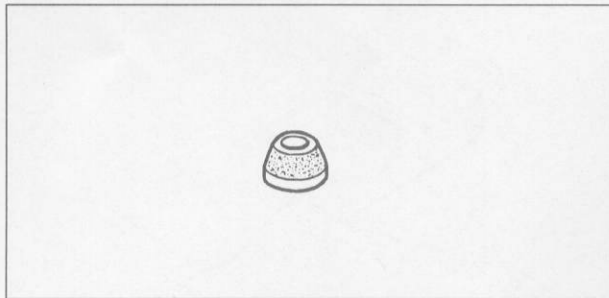
Kawasaki Bond (Silicone Sealant): 56019-120



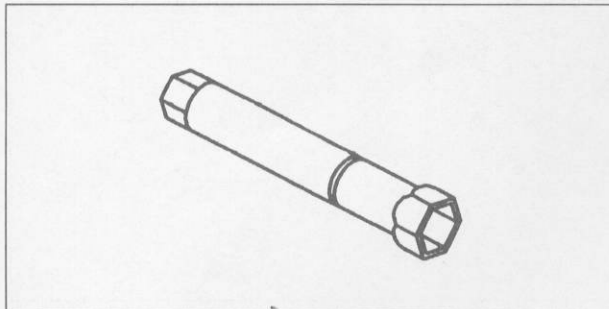
Throttle Sensor Setting Adapter: 57001-1408



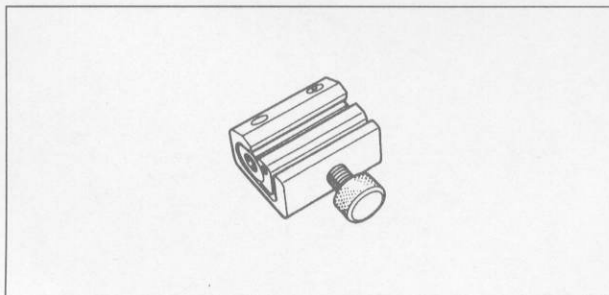
Valve Seat Cutter, 60° -  $\phi 27$ : 57001-1409



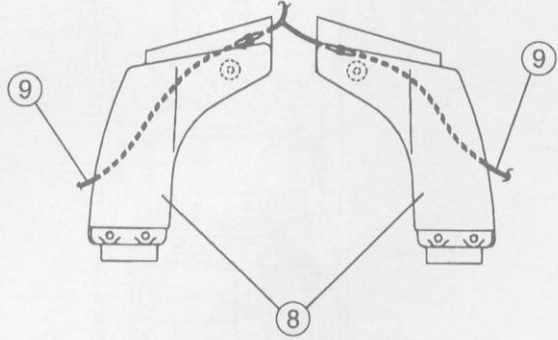
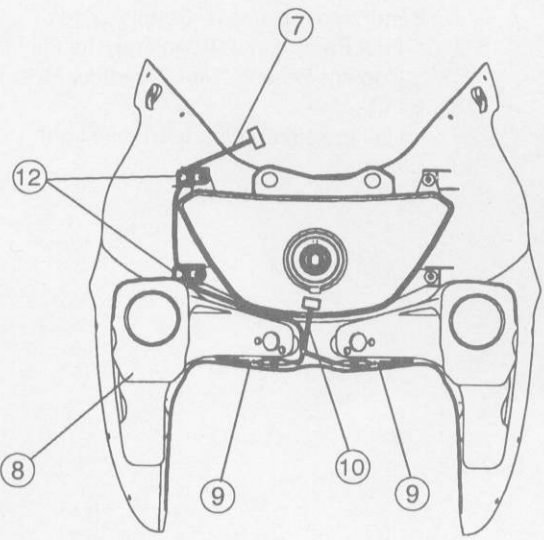
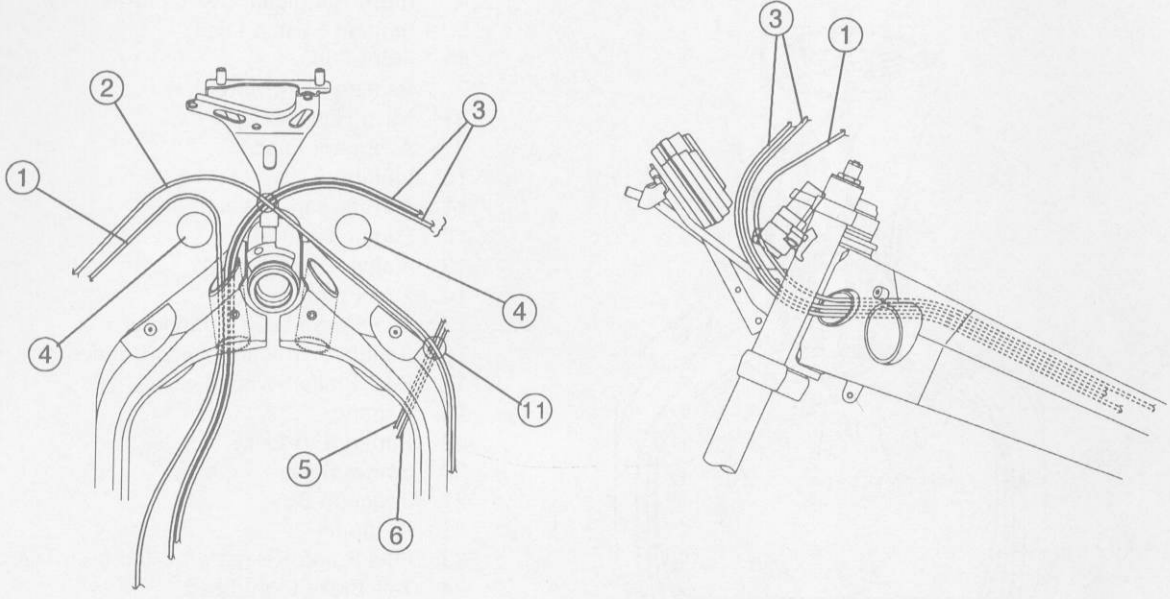
Box Wrench, Hex16 x 140 (Owner's Tool): 92110-1146



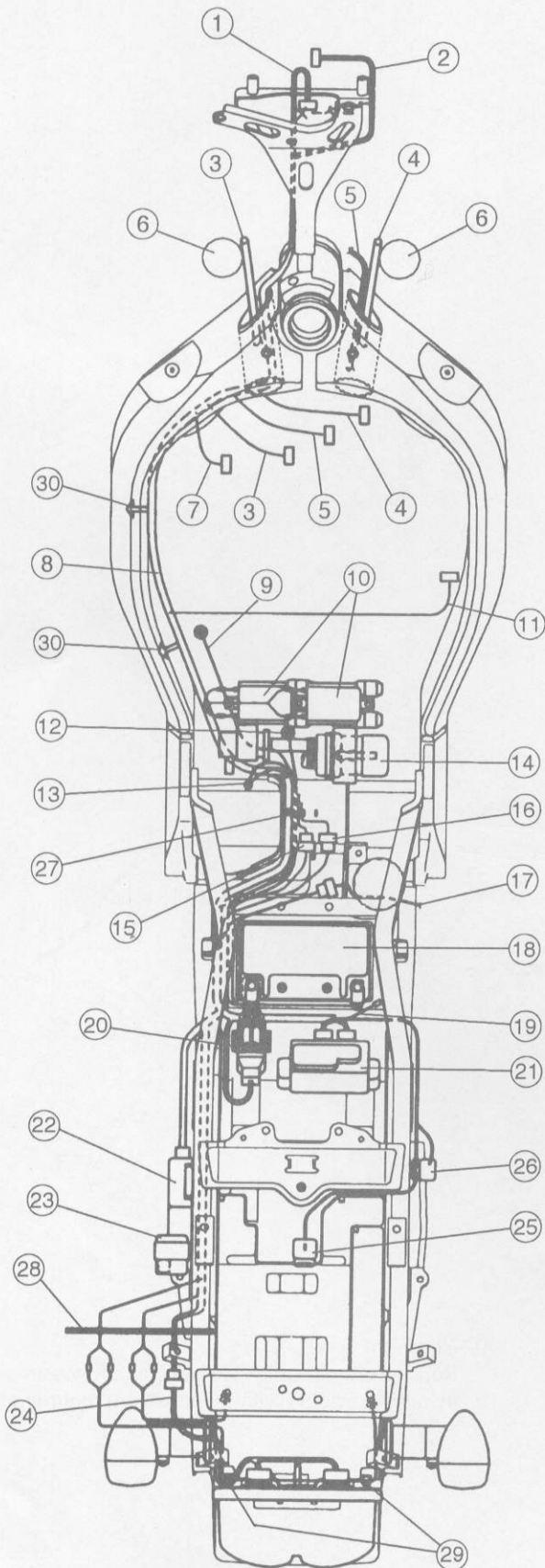
Pressure Cable Luber: k56019-021



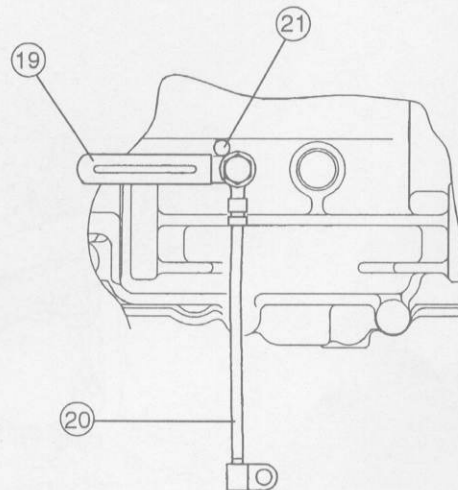
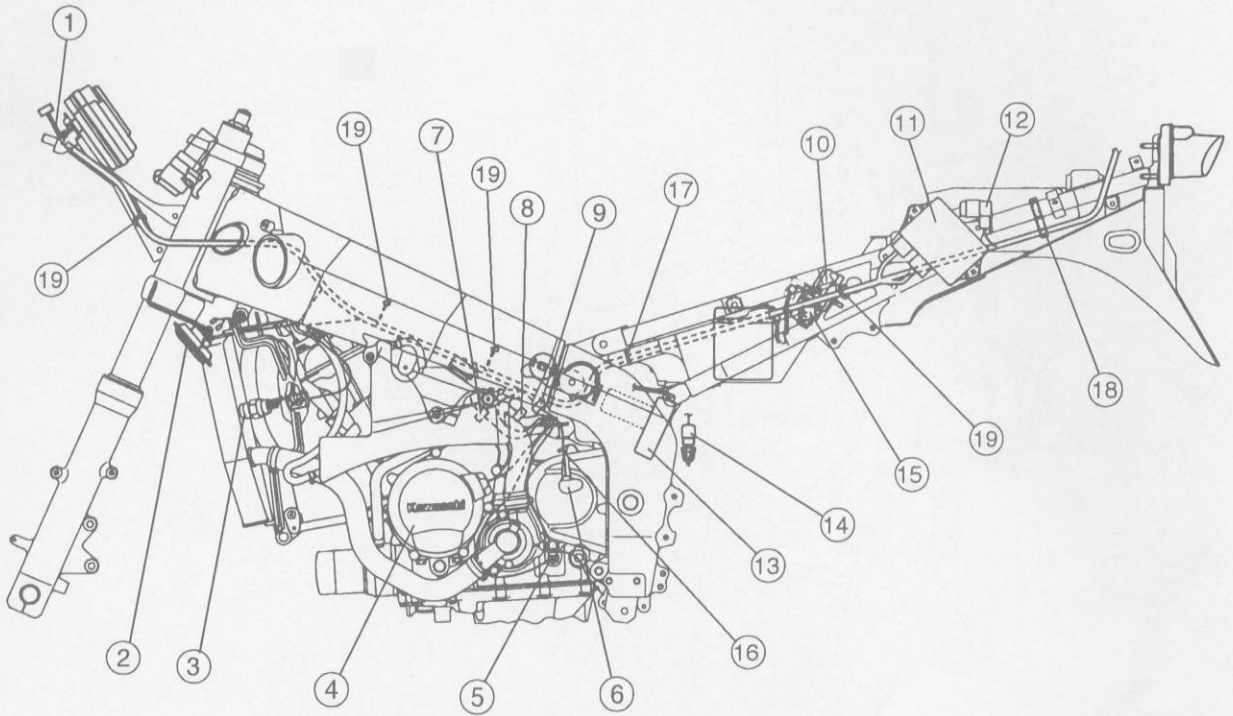
Cable, Wire, and Hose Routing



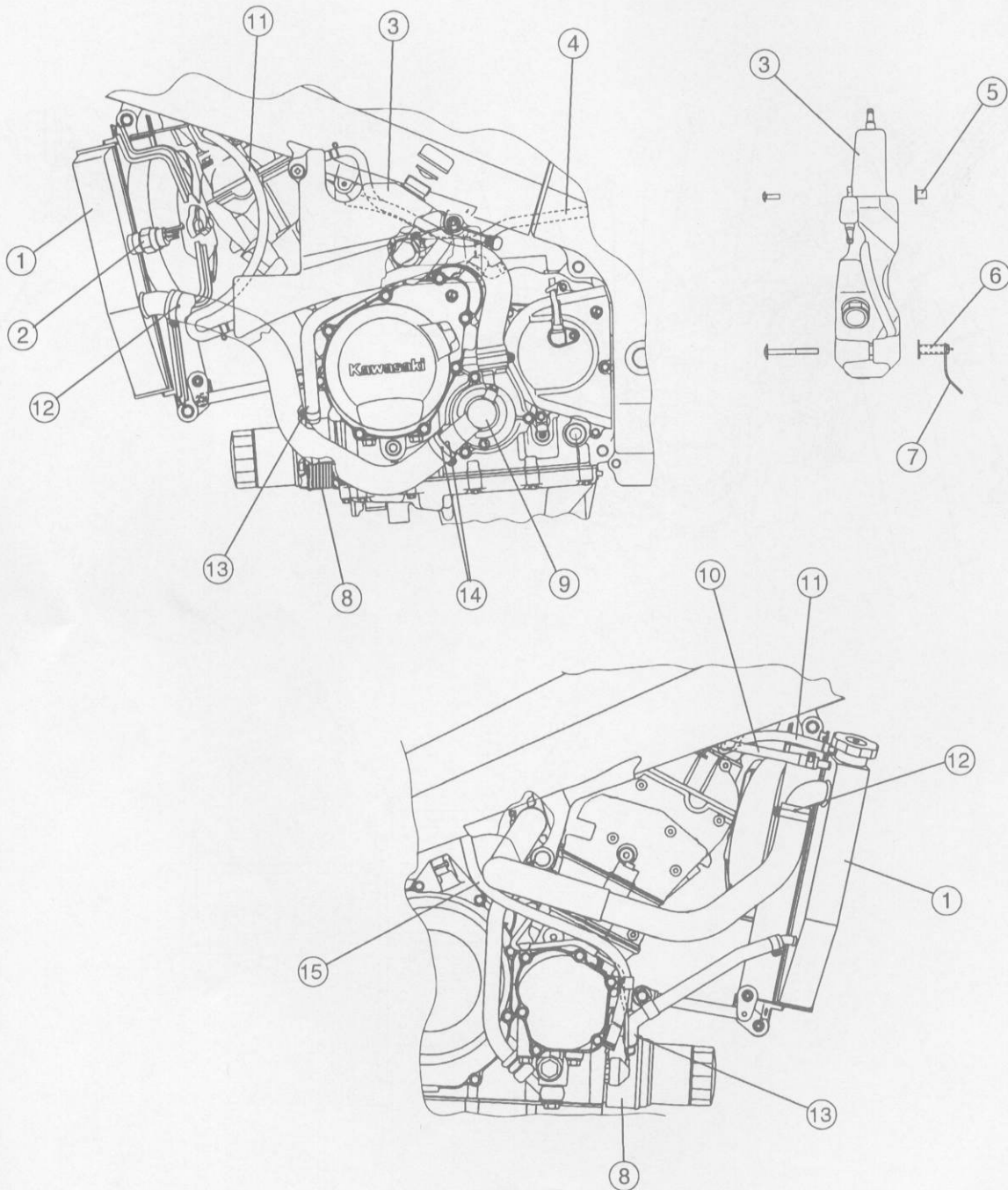
- 1. Choke Cable
- 2. Clutch Cable
- 3. Throttle Cables
- 4. Front Fork
- 5. Coolant Reserve Tank Hose
- 6. Coolant By-pass Hose
- 7. Headlight/Turn Signal Light Lead
- 8. Air Intake Duct
- 9. Turn Signal Light Lead
- 10. Headlight Lead
- 11. Run the clutch cable over the coolant hoses.
- 12. Install the clamps with the headlight mounting bolts.



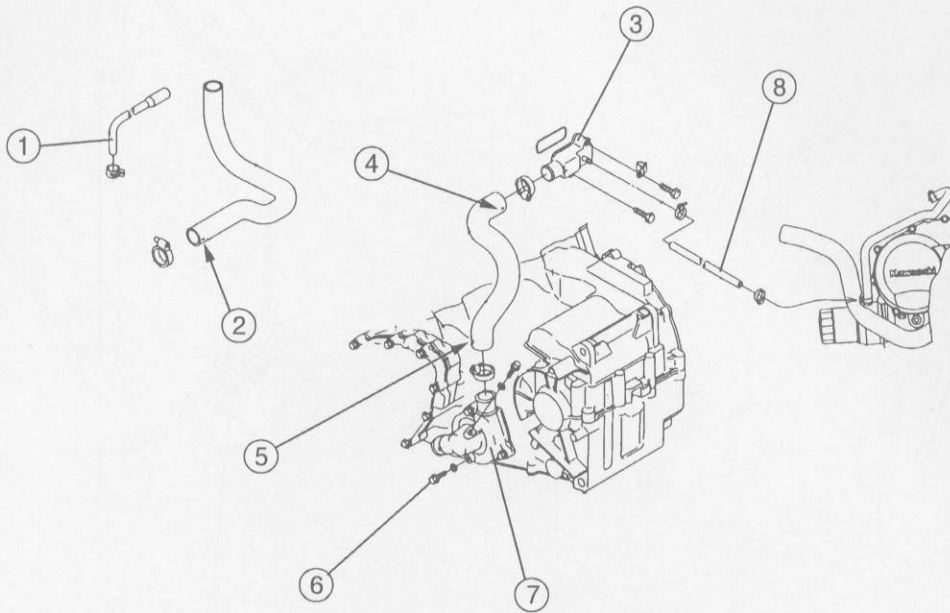
1. Meter Lead
2. Headlight/Turn Signal Light Lead
3. Left Handlebar Switch Lead
4. Right Handlebar Switch Lead
5. Ignition Switch Lead
6. Front Fork
7. Radiator Fan Motor Lead
8. Main Harness
9. Alternator Lead
10. Ignition Coils
11. Throttle sensor Lead
12. Engine Ground
13. Frame Ground
14. Fuel Pump
15. Fuel Pump Lead Connector
16. Regulator/Rectifier Lead Connector
17. Rear Brake Switch Lead
18. Battery
19. Battery (-) Lead
20. Starter Relay
21. Junction Box
22. IC Igniter
23. Fuel Pump Relay
24. Tail/Brake Light Lead
25. Turn Signal Relay
26. Tail Light Relay (Except AS, US, CN, ML)
27. Band (Main Harness, Battery Leads, Fuel Pump Lead, Regulator/Rectifier Lead, Coolant Reserve Tank Overflow Hose)
28. Band
29. Install the clamp with tail/brake light.
30. Clamp



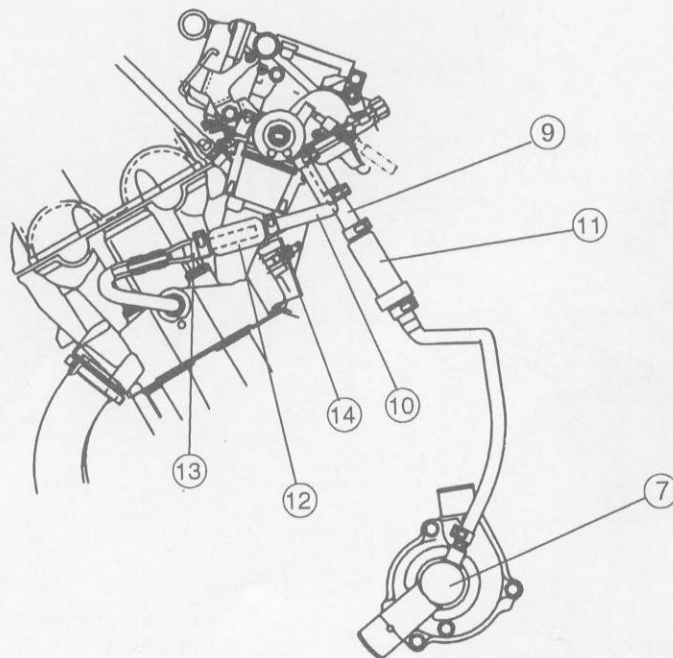
- |                                     |  |
|-------------------------------------|--|
| 1. Headlight/Turn Signal Light Lead | 13. Regulator/Rectifier  |
| 2. Horn                             | 14. Rear Brake Light Switch  |
| 3. Radiator Fan Switch              | 15. Starter Relay  |
| 4. Alternator                       | 16. Run the speed sensor lead under the clamp.   |
| 5. Neutral Switch                   | 17. Band (Main harness, Battery Leads,<br>Fuel Pump Lead, Regulator/Rectifier Lead,<br>Coolant Reserve Tank Overflow Hose) |
| 6. Speed Sensor                     | 18. Band   |
| 7. Alternator Lead Connector        | 19. Clamp  |
| 8. Side Stand Switch Lead Connector | 20. Engine (Battery) Ground Lead   |
| 9. Speed Sensor Lead Connector      | 21. Touch the clamp to the projection on the crankcase<br>and install it with the ground lead.                             |
| 10. Junction Box                    |  |
| 11. IC Igniter                      |  |
| 12. Fuel Pump Relay                 |  |



- |                                 |  |
|---------------------------------|--|
| 1. Radiator                     | 10. Coolant By-pass Hose               |
| 2. Radiator Fan Switch          | 11. Reserve Tank Hose                  |
| 3. Coolant Reserve Tank         | 12. Face the white mark outward.       |
| 4. Reserve Tank Overflow Hose   | 13. Face the white mark forward.       |
| 5. Collar (Short)               | 14. Align the marks.                   |
| 6. Collar (Long)                | 15. Drain Hose (California model only) |
| 7. Idle Adjusting Screw Bracket |  |
| 8. Oil Cooler                   |  |
| 9. Water Pump                   |  |

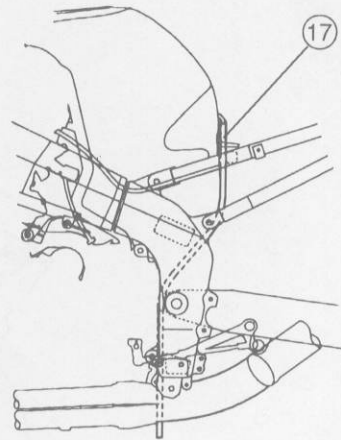
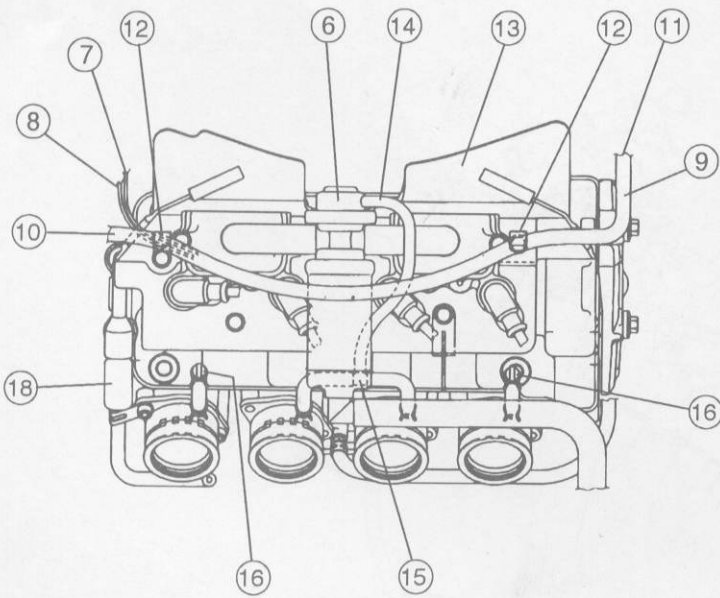
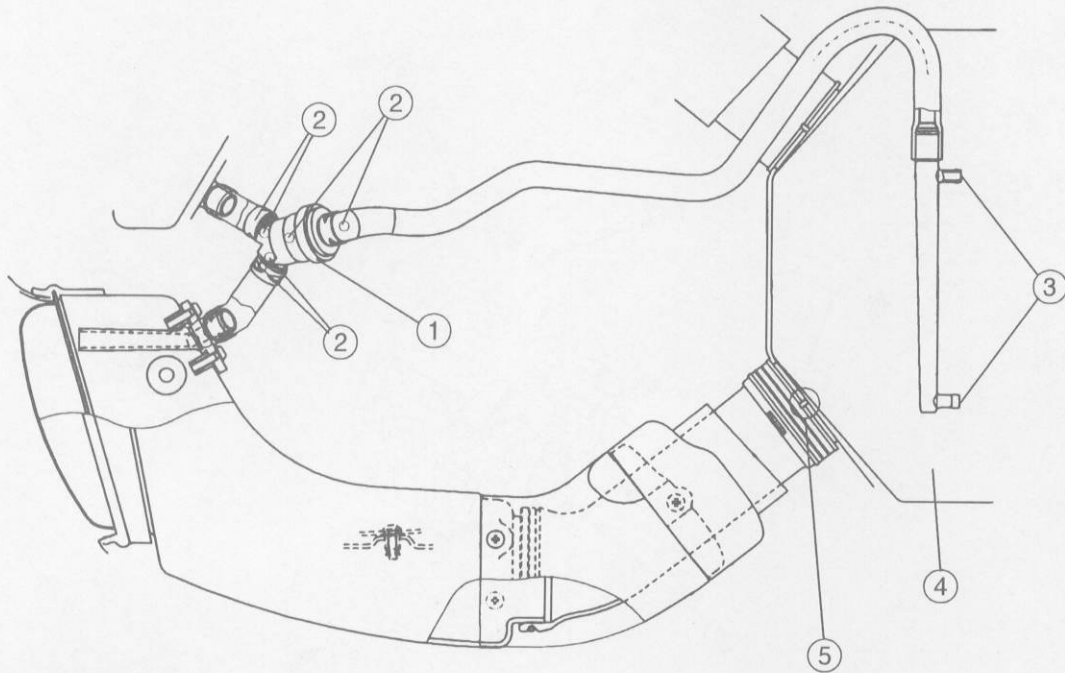


(AR, FG, FR, IT, KR, NL, ST, UK Models)

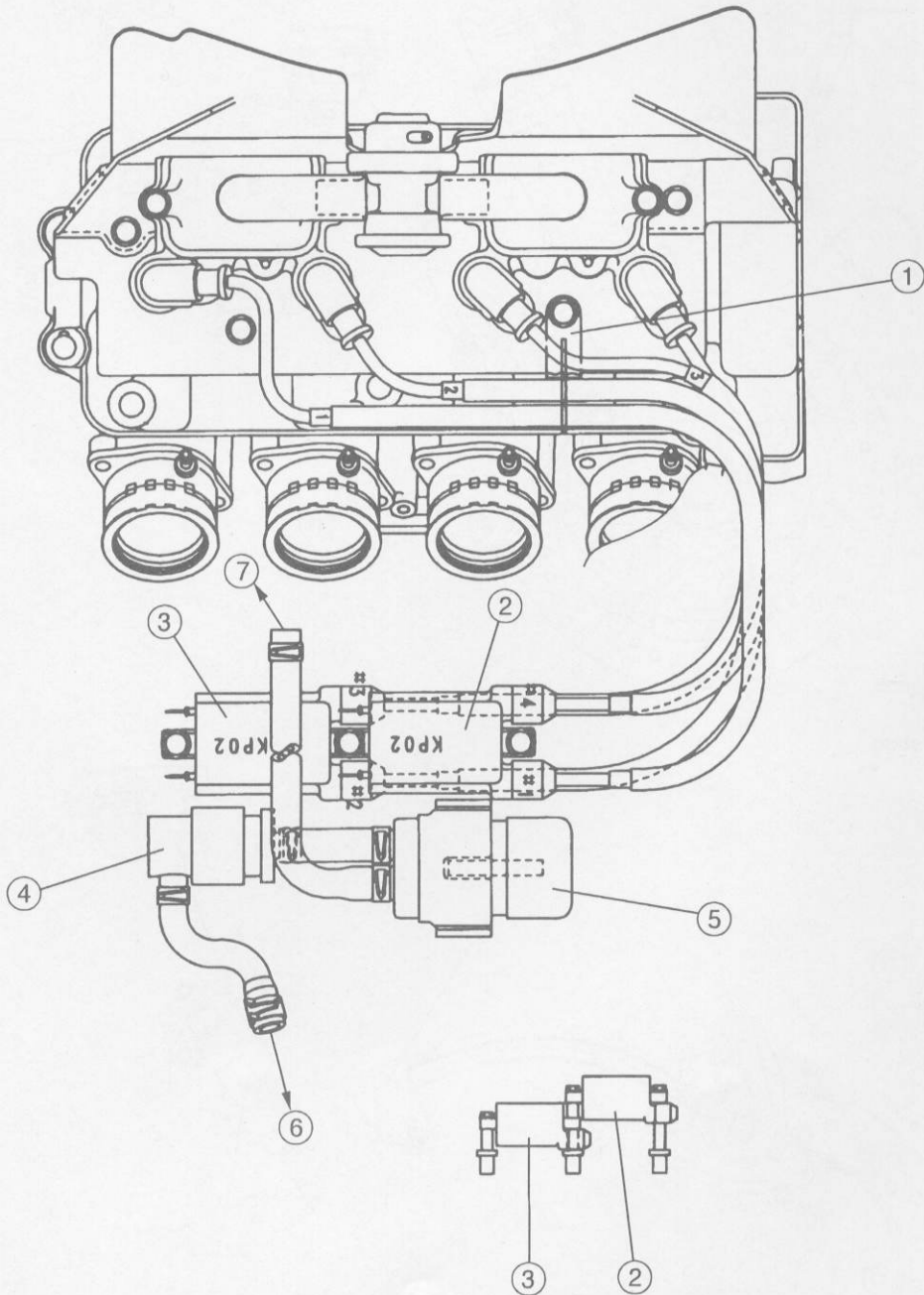


- |   |  |
|---|--|
| <ol style="list-style-type: none"> <li>1. Coolant By-pass Hose</li> <li>2. Align the mark on the hose with the projection on the thermostat cover.</li> <li>3. Cylinder Fitting</li> <li>4. Align the mark on the hose with the projection on the fitting.</li> <li>5. Align the mark on the hose with the projection on the water pump cover.</li> <li>6. Drain Plug</li> <li>7. Water Pump</li> </ol> | <ol style="list-style-type: none"> <li>8. Oil Cooler Hose (Face the white mark forward.)</li> <li>9. To #4 Carburetor</li> <li>10. To #1 Carburetor</li> <li>11. Coolant Valve</li> <li>12. Coolant Filter</li> <li>13. Thick Side</li> <li>14. Thin Side</li> </ol> |
|---|--|



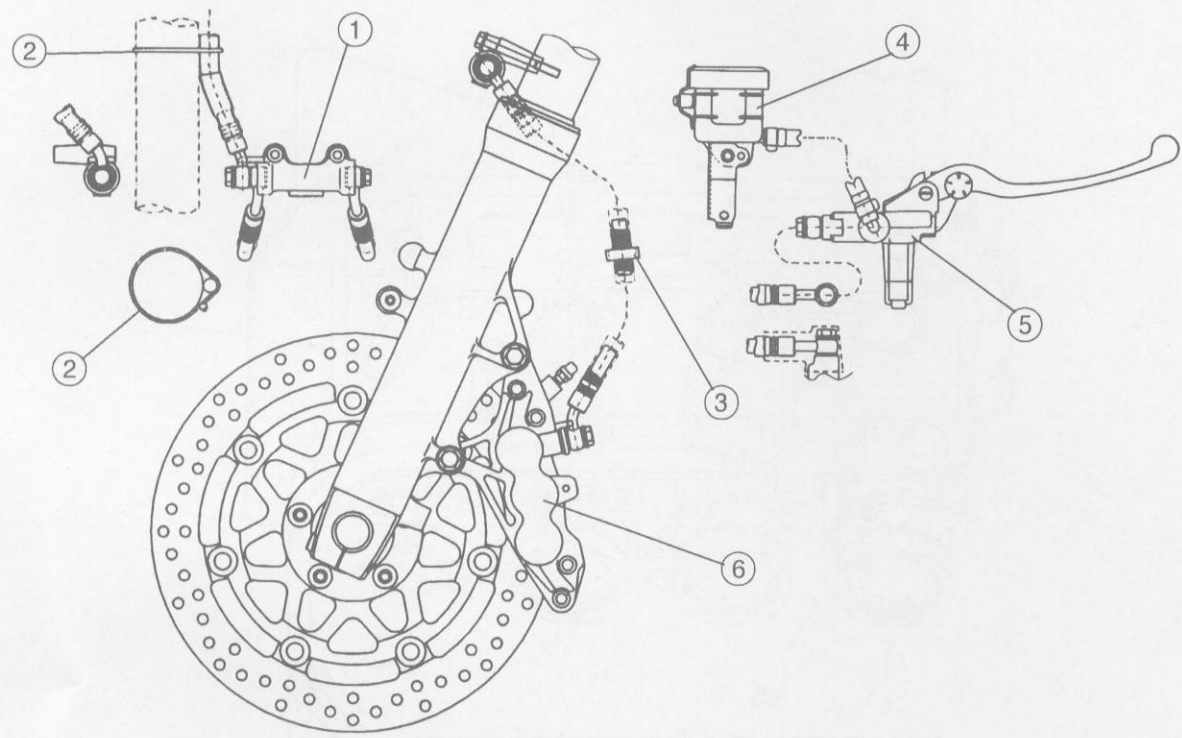


- |   |   |
|---|---|
| 1. Air Vent Filter  | 12. Install the clamps with the baffle plate. |
| 2. Align the mark on the hose with the mark on the filter.          | 13. Baffle Plate                              |
| 3. To Carburetors   | 14. Vacuum Hose                               |
| 4. Air Cleaner Housing  | 15. Vacuum Hose Fitting                       |
| 5. Fit the projection of the housing in the recess of the air duct. | 16. Plug                                      |
| 6. Vacuum Switch Valve  | 17. Fuel Tank Drain Hose                      |
| 7. Radiator Fan Motor Lead  |   |
| 8. Radiator Fan Switch Lead   | (AR, FG, FR, IT, KR, NL, ST, UK Models)       |
| 9. Coolant Reserve Tank Hose  | 18. Coolant Filter                            |
| 10. To Coolant Reserve Tank   |   |
| 11. To Radiator   |   |

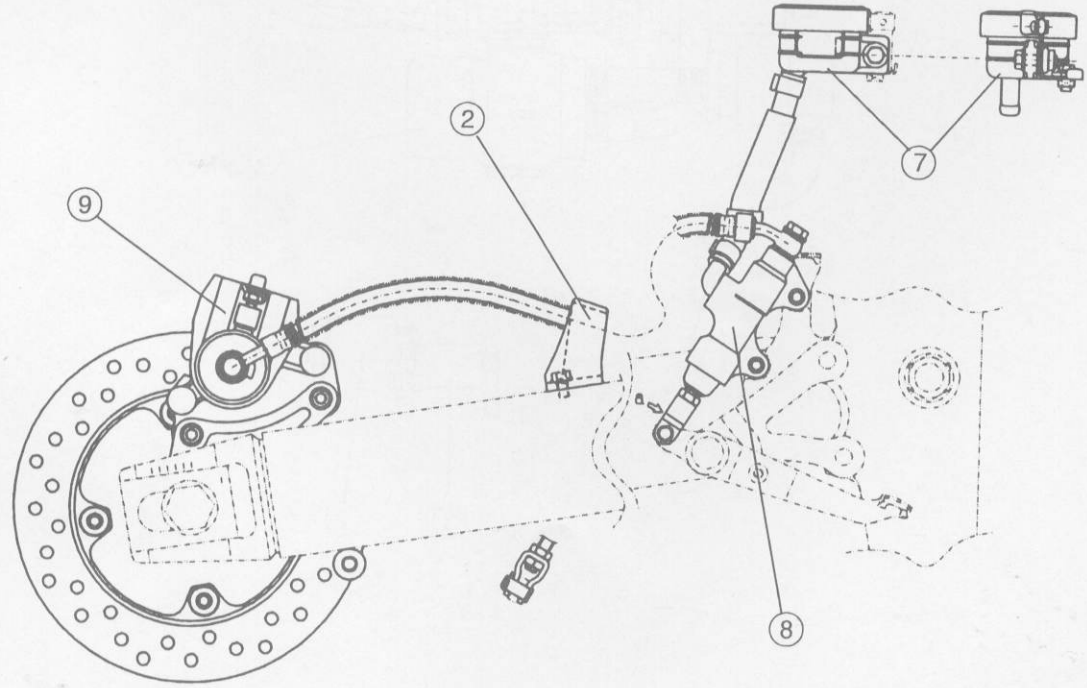


1. Install the clamp with the buffle plate.
2. #1, #4 Ignition Coil
3. #2, #3 Ignition Coil
4. Fuel Filter
5. Fuel Pump
6. To Fuel Tank
7. To Carburetor

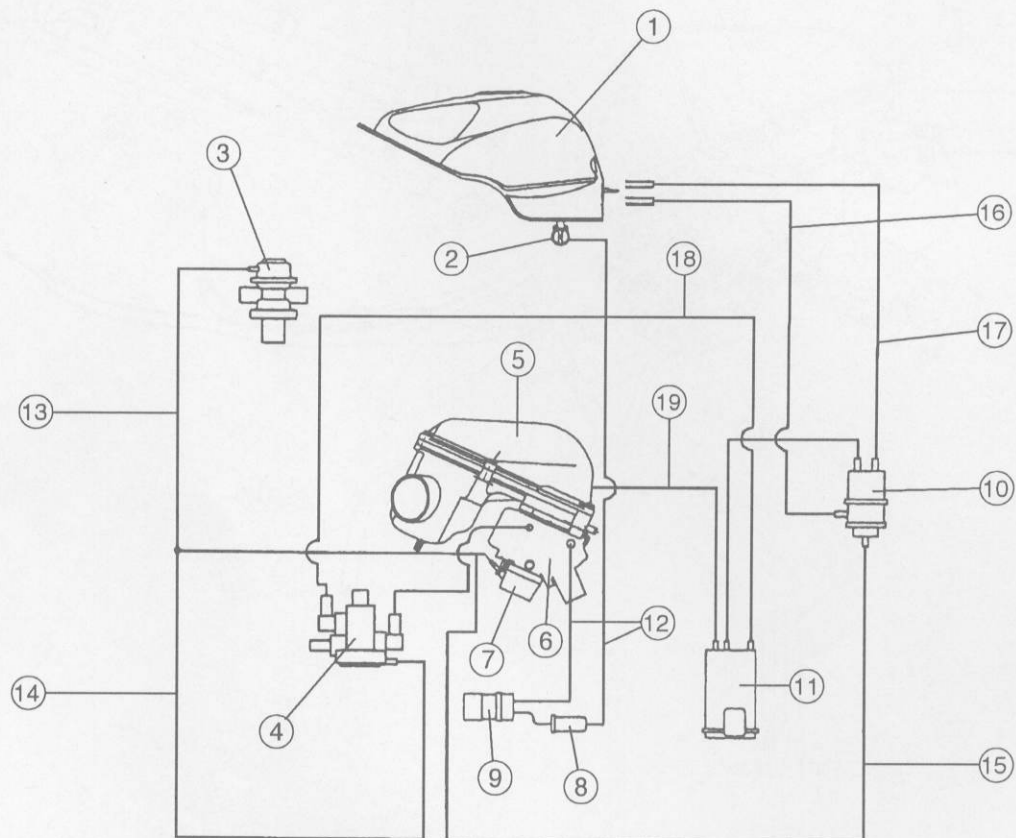
Front Brake System



Rear Brake System



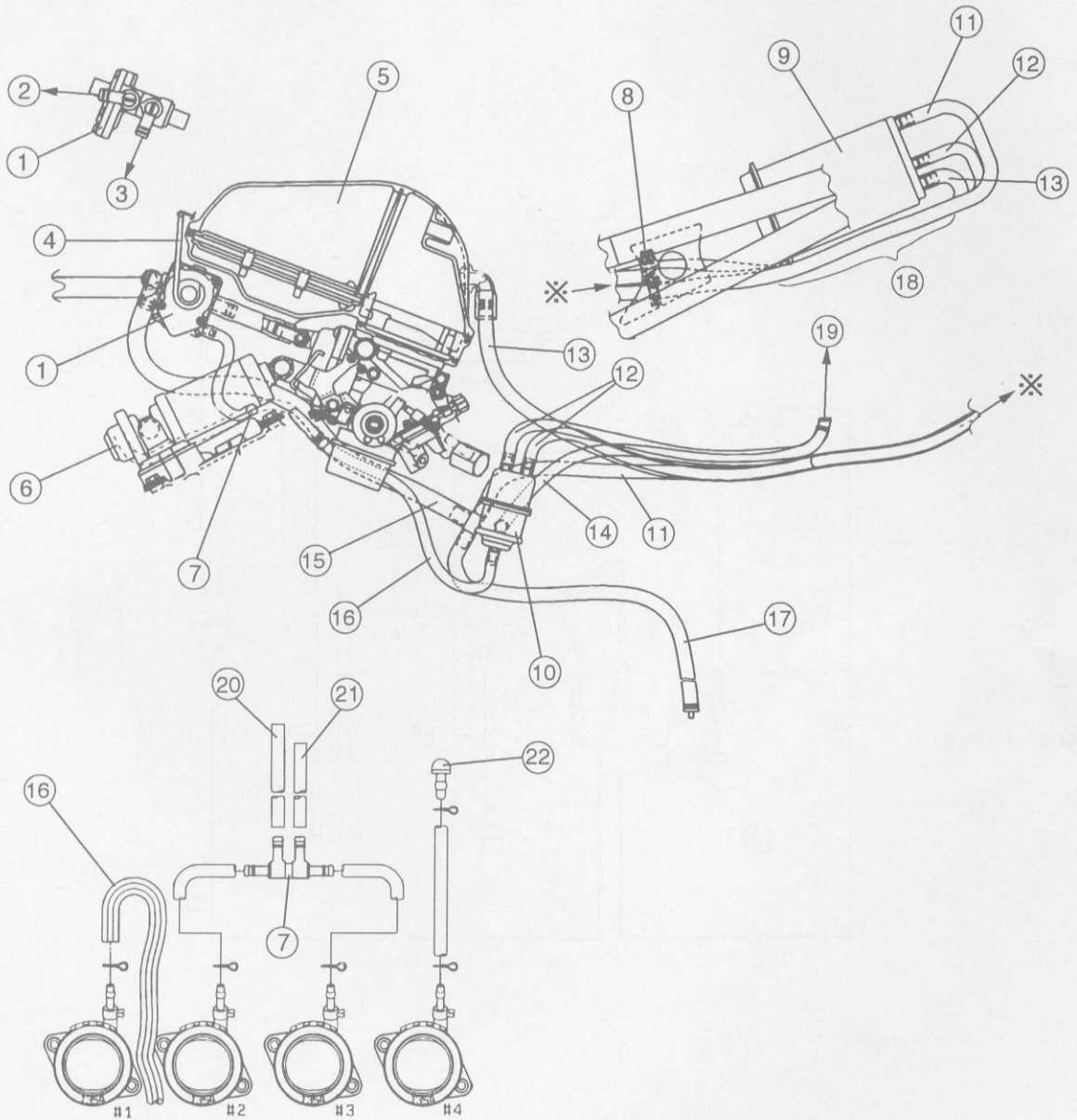
- 1. Brake Hose Joint
- 2. Clamp
- 3. Band
- 4. Front Brake Reservoir
- 5. Front Brake Master Cylinder
- 6. Front Brake Caliper
- 7. Rear Brake Reservoir
- 8. Rear Brake Master Cylinder
- 9. Rear Brake Caliper



- 1. Fuel Tank
- 2. Fuel Tap
- 3. Vacuum Switch Valve
- 4. Vacuum Valve
- 5. Air Cleaner
- 6. Carburetor
- 7. Carburetor Holder
- 8. Fuel Filter
- 9. Fuel Pump
- 10. Separator

- 11. Canister
- 12. Fuel Hose
- 13. Vacuum Hose (#2, #3 Fittings)
- 14. Vacuum Hose (#2, #3 Fittings)
- 15. Vacuum Hose (#1 Fitting, White)
- 16. Return Hose (Red)
- 17. Breather Hose (Blue)
- 18. Vent Hose (Yellow)
- 19. Purge Hose (Green)

Evaporative Emission Control System (California Model)



- |  |  |
|--|--|
| <ul style="list-style-type: none"> <li>1. Vacuum Valve</li> <li>2. To Air Vent Filter</li> <li>3. To Canister</li> <li>4. Vacuum Valve Bracket (Install the bracket with the air cleaner housing.)</li> <li>5. Air Cleaner</li> <li>6. Vacuum Switch Valve</li> <li>7. Vacuum Hose Fitting</li> <li>8. Band</li> <li>9. Canister</li> <li>10. Separator</li> <li>11. Vent Hose (Yellow)</li> </ul> | <ul style="list-style-type: none"> <li>12. Breather Hose (Blue)</li> <li>13. Purge Hose (Green)</li> <li>14. Return Hose (Red)</li> <li>15. Vent Hose (Yellow)</li> <li>16. Vacuum Hose (White)<br/>(Run the hose between #1 and #2 carburetors.)</li> <li>17. Drain Hose</li> <li>18. Run the hoses between the canister and rear fender.</li> <li>19. To Fuel Tank</li> <li>20. Vacuum Hose (To Vacuum Switch Valve)</li> <li>21. Vacuum Hose (To Vacuum Valve)</li> <li>22. Plug</li> </ul> |
|--|--|

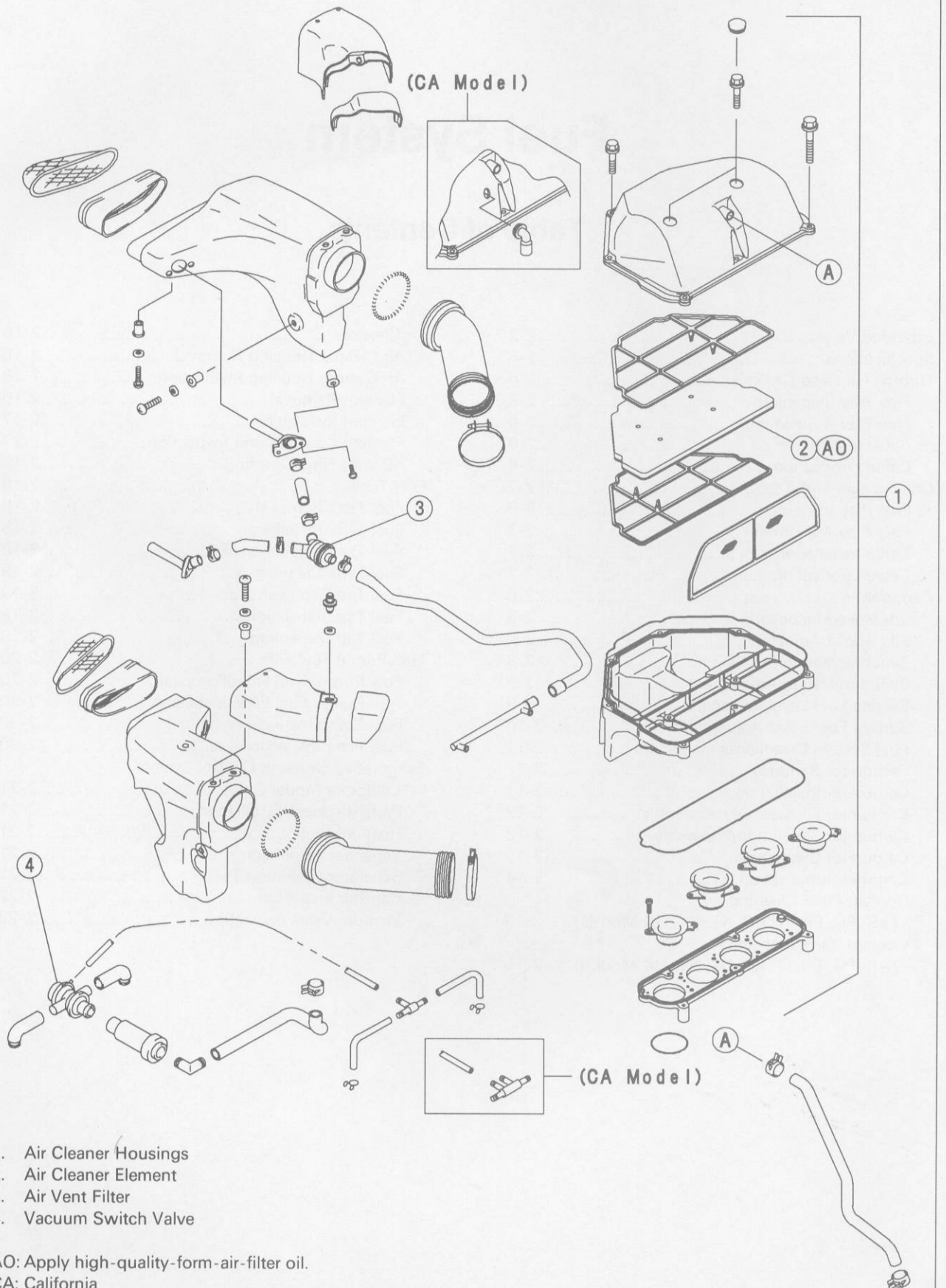
# Fuel System

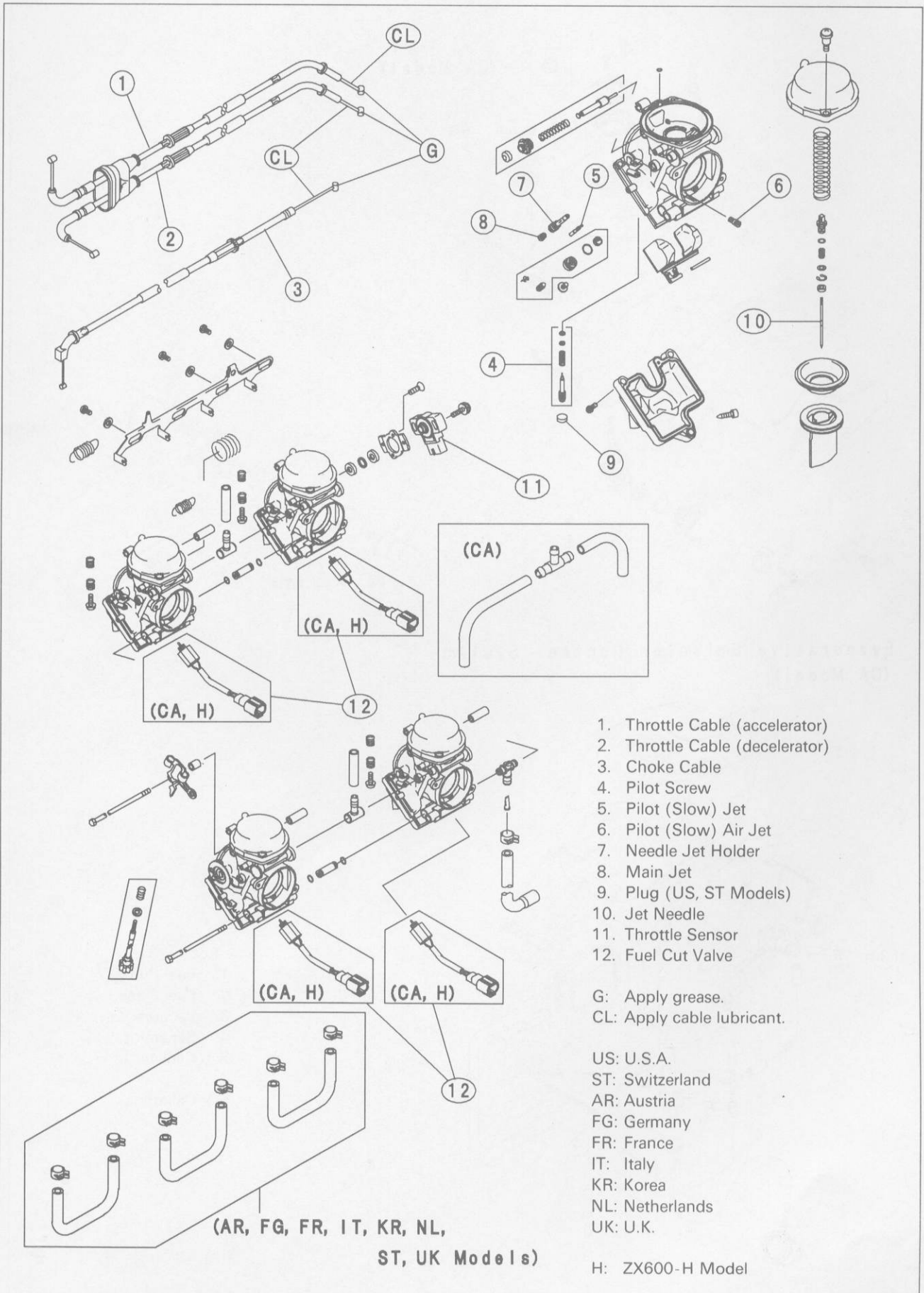
## Table of Contents

Exploded View .....	2-2	Air Cleaner .....	2-16
Specifications .....	2-5	Air Cleaner Housing Removal .....	2-16
Throttle Grip and Cables .....	2-6	Air Cleaner Housing Installation .....	2-16
Free Play Inspection .....	2-6	Element Removal .....	2-16
Free Play Adjustment .....	2-6	Element Installation .....	2-17
Cable Installation .....	2-6	Element Cleaning and Inspection .....	2-17
Cable Lubrication .....	2-6	Air Vent Filter Cleaning .....	2-17
Choke Lever and Cable .....	2-7	Fuel Tank .....	2-18
Free Play Inspection .....	2-7	Fuel Tank Removal .....	2-18
Free Play Adjustment .....	2-7	Fuel Tank Installation .....	2-18
Cable Installation .....	2-7	Fuel Tank Inspection .....	2-18
Cable Lubrication .....	2-7	Fuel Tank Cleaning .....	2-19
Carburetors .....	2-8	Fuel Tap Removal .....	2-19
Idle Speed Inspection .....	2-8	Fuel Tap Installation .....	2-19
Idle Speed Adjustment .....	2-8	Fuel Tap Inspection .....	2-19
Synchronization Inspection .....	2-8	Fuel Pump, Fuel Filter .....	2-20
Synchronization Adjustment .....	2-9	Fuel Pump, Fuel Filter Removal .....	2-20
Service Fuel Level Inspection .....	2-9	Fuel Pump, Fuel Filter Installation .....	2-20
Service Fuel Level Adjustment .....	2-10	Fuel Pump Inspection .....	2-20
Fuel System Cleanliness Inspection .....	2-11	Fuel Filter Inspection .....	2-20
Carburetor Removal .....	2-11	Evaporative Emission Control System	
Carburetor Installation .....	2-11	(California Model Only) .....	2-21
Carburetor Disassembly/Assembly .....	2-12	Parts Removal/Installation .....	2-21
Carburetor Separation/Assembly .....	2-13	Hose Inspection .....	2-21
Carburetor Cleaning .....	2-13	Separator Inspection .....	2-21
Carburetor Inspection .....	2-14	Separator Operation Test .....	2-21
Coolant Filter Cleaning		Canister Inspection .....	2-22
(AR, FG, FR, IT, KR, NL, ST, UK Models) .....	2-15	Vacuum Valve Inspection .....	2-22
Coolant Valve Inspection			
(AR, FG, FR, IT, KR, NL, ST, UK Models) .....	2-15		

## 2-2 FUEL SYSTEM

### Exploded View





- 1. Throttle Cable (accelerator)
- 2. Throttle Cable (decelerator)
- 3. Choke Cable
- 4. Pilot Screw
- 5. Pilot (Slow) Jet
- 6. Pilot (Slow) Air Jet
- 7. Needle Jet Holder
- 8. Main Jet
- 9. Plug (US, ST Models)
- 10. Jet Needle
- 11. Throttle Sensor
- 12. Fuel Cut Valve

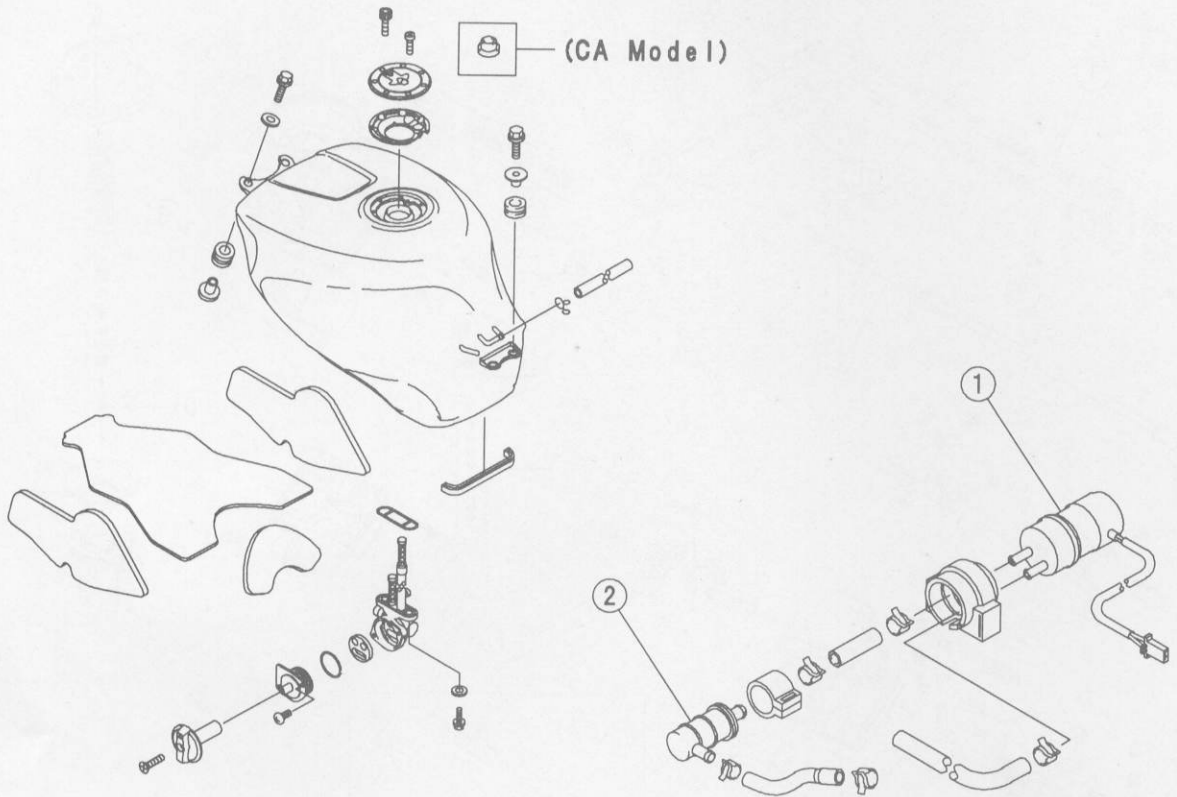
G: Apply grease.  
 CL: Apply cable lubricant.

US: U.S.A.  
 ST: Switzerland  
 AR: Austria  
 FG: Germany  
 FR: France  
 IT: Italy  
 KR: Korea  
 NL: Netherlands  
 UK: U.K.

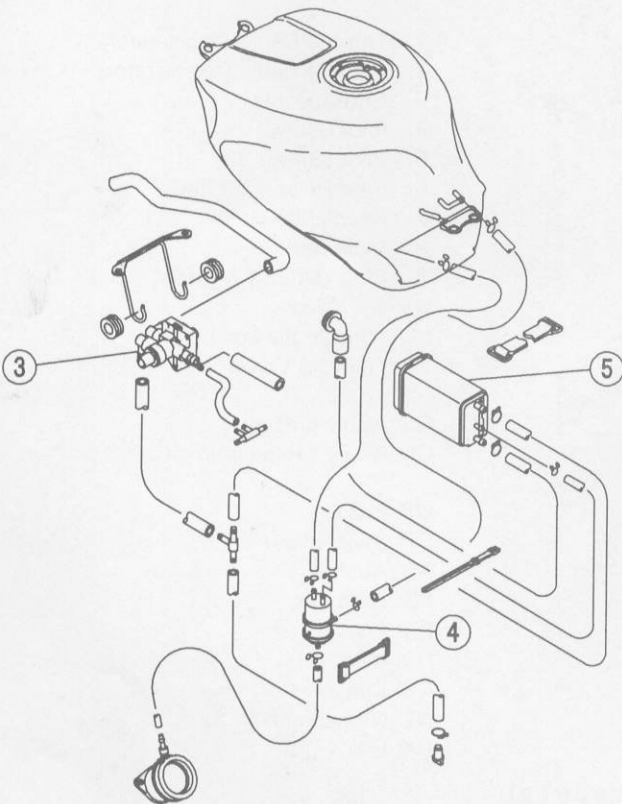
H: ZX600-H Model

(AR, FG, FR, IT, KR, NL,  
 ST, UK Models)





Evaporative Emission Control System  
(CA Model)



- 1. Fuel Pump
- 2. Fuel Filter
- 3. Vacuum Valve
- 4. Separator
- 5. Canister

CA: California

## Specifications

Item	Standard
<b>Throttle Grip and Cables:</b> Throttle grip free play	2 ~ 3 mm
<b>Choke Lever and Cable:</b> Choke lever free play	2 ~ 3 mm
<b>Carburetors:</b> Make, type Main jet Main air jet Jet needle  Pilot jet (slow jet) Pilot air jet (slow air jet) Pilot screw (turns out) Starter jet Idle speed Carburetor synchronization vacuum  Service fuel level Float height	Mikuni, BDSR 36R x 4 (#1, #4 cyl.) #137.5, (#2, #3 cyl.) #140 (#1, #4 cyl.) #70, (#2, #3 cyl.) #45 (#1, #4 cyl.) 5E11, (#2, #3 cyl.) 5E12, (US, CN) 5E16-55 #12.5 #120 1.0 turns out #35 1300 ± 50 r/min (rpm) Less than 2.7 kPa (2 cm Hg) difference between any two carburetors 22.2 ± 1 mm below the mark on the carburetor body 7 ± 2 mm

**Special Tools** – Pressure Cable Luber: k56019-021  
 Vacuum Gauge: 57001-1369  
 Carburetor Drain Plug Wrench, Hex 3: 57001-1269  
 Fuel Level Gauge: 57001-1017  
 Fork Oil Level Gauge: 57001-1290  
 (as required)  
 Pilot Screw Adjuster, A: 57001-1239

## 2-6 FUEL SYSTEM

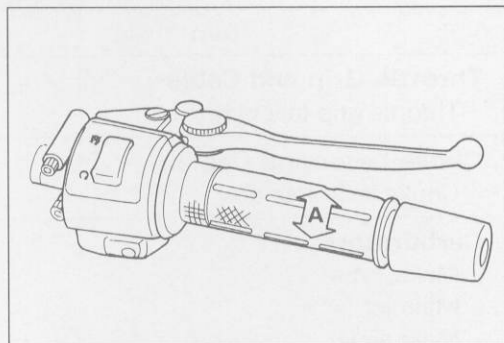
### Throttle Grip and Cables

#### Free Play Inspection

- Check the throttle grip free play [A].
- ★ If the free play is incorrect, adjust the throttle cable.

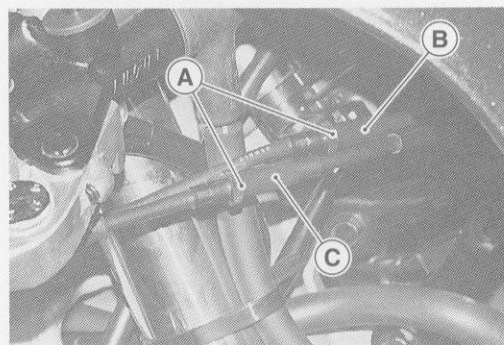
#### Throttle Grip Free Play

Standard: 2 ~ 3 mm



#### Free Play Adjustment

- Loosen the locknuts [A], and screw both throttle cable adjusters in completely so as to give the throttle grip plenty of play.
- Turn out the decelerator cable adjuster [B] until there is no play when the throttle grip is completely closed.
- Tighten the locknut.
- ★ Turn the accelerator cable adjuster [C] until 2 ~ 3 mm of throttle grip play is obtained.
- Tighten the locknut.



#### Cable Installation

- Install the throttle cables in accordance with Cable Routing section in General Information chapter.
- Install the lower ends of the throttle cables in the cable bracket on the carburetor.
- Install the cable stopper on the cable bracket.
- Install the upper ends of the throttle cables in the grip.
- After installation, adjust each cable properly.

#### ⚠ WARNING

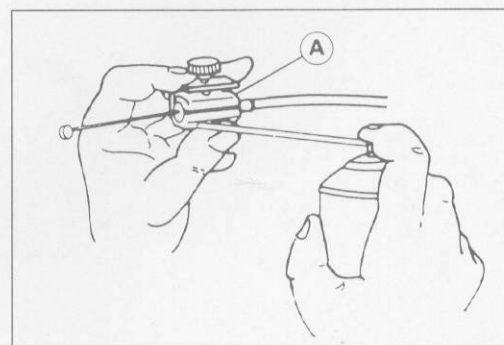
Operation with incorrectly routed or improperly adjusted cables could result in an unsafe riding condition.

#### Cable Lubrication

Whenever the cable is removed, lubricate the throttle cable as follows:

- Apply a thin coating of grease to the cable lower ends.
- Lubricate the cable with a penetrating rust inhibitor.

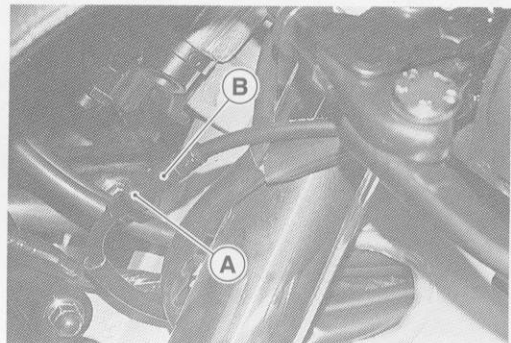
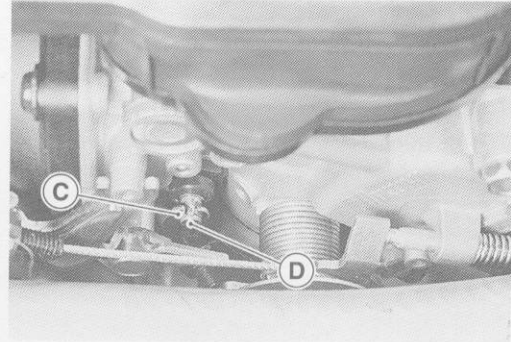
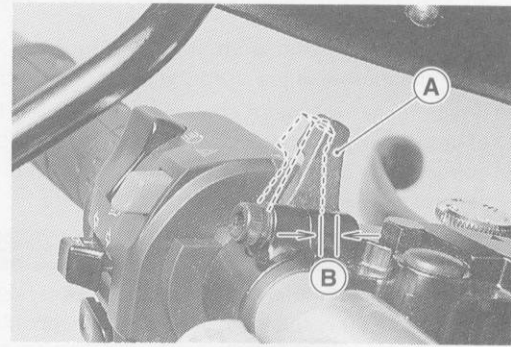
Special Tool – Pressure Cable Luber: k56019-021 [A]



## Choke Lever and Cable

### Free Play Inspection

- Push the choke lever [A] all the way to the front.
- Check the choke cable free play [B].
- Determine the amount of choke cable play at the choke lever. Pull the choke lever until the starter plunger lever [C] at the carburetor touches the starter plunger [D]; the amount of choke lever lower end travel is the amount of choke cable play.
- ★ If the free play is incorrect, adjust the choke cable.



### Free Play Adjustment

- Loosen the locknut [A], and turn the adjuster [B] until the cable has the proper amount of free play.
- Tighten the locknut securely.

### Cable Installation

- Install the choke cable in accordance with Cable Routing section in General Information chapter.
- After installation, adjust the cable properly.

#### ⚠WARNING

Operation with an incorrectly routed or improperly adjusted cable could result in an unsafe riding condition.

### Cable Lubrication

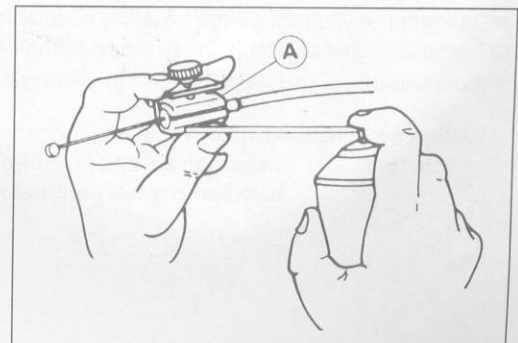
Whenever the choke cable is removed, lubricate the choke cable as follows:

- Apply a thin coating of grease to the cable upper end.
- Lubricate the cable with a penetrating rust inhibitor.

**Special Tool – Pressure Cable Luber: k56019-021 [A]**

- Check that the choke inner cable slides smoothly by moving the choke lever to the front and rear.

★ If there is any irregularity, check the choke cable and routing.



## 2-8 FUEL SYSTEM

### Carburetors

#### Idle Speed Inspection

- Start the engine and warm it up thoroughly.
- With the engine idling, turn the handlebar to both sides.
- ★ If handlebar movement changes the idle speed, the throttle cables may be improperly adjusted or incorrectly routed, or damaged. Be sure to correct any of these conditions before riding (see Cable Routing section in General Information chapter).

#### ⚠ WARNING

Operation with improperly adjusted, incorrectly routed, or damaged cables could result in an unsafe riding condition.

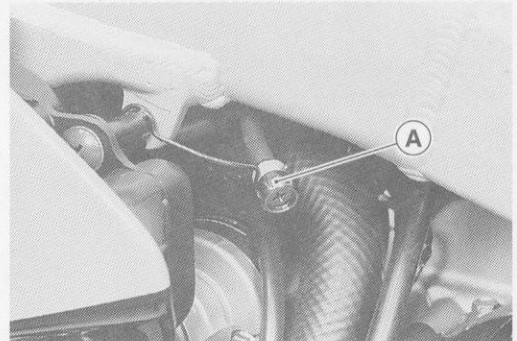
- Check idle speed.
- ★ If the idle speed is out of the specified range, adjust it.

#### Idle Speed

Standard: 1,300 ± 50 r/min (rpm)

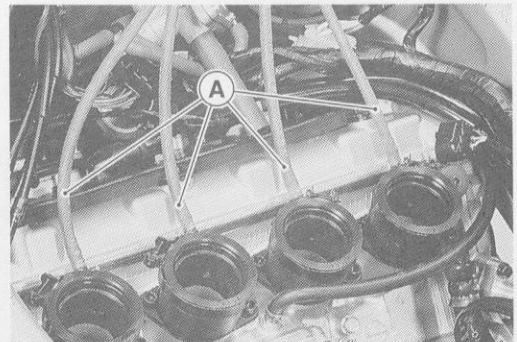
#### Idle Speed Adjustment

- Start the engine and warm it up thoroughly.
- Turn the adjusting screw [A] until the idle speed is correct.
- Open and close the throttle a few times to make sure that the idle speed is within the specified range. Readjust if necessary.



#### Synchronization Inspection

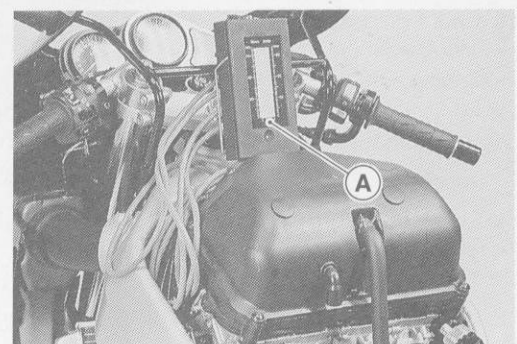
- Start the engine and warm it up thoroughly.
- Check idle speed (see Idle Speed Inspection).
- Remove the fuel tank and air cleaner housing (see Fuel Tank Removal and Air Cleaner Housing Removal).
- Remove the carburetors from the carburetor holders.
- Pull the vacuum hoses off, and connect the vacuum gauge hoses [A] to the fittings on the carburetor holders.
- Install the carburetors and air cleaner housing.
- Supply fuel to the carburetors with an auxiliary fuel tank.



- Connect the vacuum gauge hoses to a suitable vacuum gauge [A].
- Start the engine and let it idle to measure the carburetor intake vacuum.
- ★ If the vacuum is incorrect, adjust the synchronization.

#### Carburetor Synchronization Vacuum

Standard: Less than 2.7 kPa (2 cmHg) difference between any two carburetors.



### Synchronization Adjustment

- Turn the adjusting screw to synchronize the carburetors.
- Apply grease to the tip of the adjusting screw threads.
- First synchronize the left two and then the right two carburetors by means of the left and right adjusting screws [A, C]. Then synchronize the left two carburetors and the right two carburetors using the center adjusting screw [B].
- ★ If the carburetor synchronization cannot be obtained by using the adjusting screws, check for dirt or blockage, and then check the pilot screw settings.

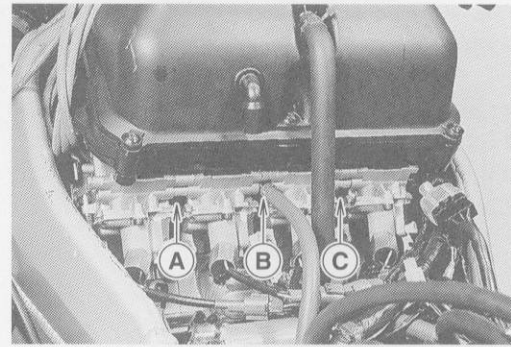
**Special Tool – Pilot Screw Adjuster, A: 57001-1239**

- Check the carburetor synchronization again.

#### NOTE

○ Do not turn the pilot screws carelessly during carburetor synchronization. You may cause poor running at low engine speed.

- Check idle speed.



### Service Fuel Level Inspection

#### ▲ WARNING

Gasoline is extremely flammable and can be explosive under certain conditions. Turn the ignition switch OFF. Do not smoke. Make sure the area is well-ventilated and free from any source of flame or sparks; this includes any appliance with a pilot light.

- Situate the motorcycle so that it is perpendicular to the ground.
- Remove the fuel tank (see Fuel Tank Removal).
- Prepare an auxiliary fuel tank and connect the fuel hose to the carburetors.
- Mark a line [A] on the position of 17.2 mm far from either end line on the fuel level gauge [B] to provide a basic line for inspecting the fuel level.

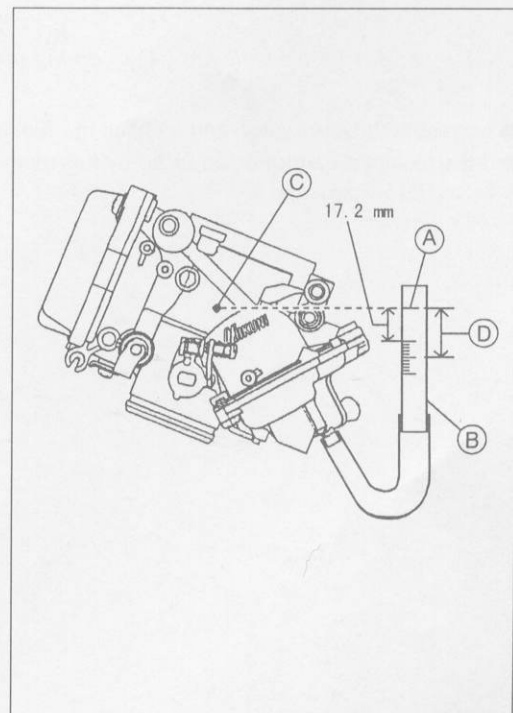
**Special Tool – Fuel Level Gauge: 57001-1017**

- Prepare a fuel hose.
- Connect the fuel level gauge to the carburetor float bowl with the fuel hose.
- Hold the gauge vertically against the side of the carburetor body so that the basic line is several millimeters higher than the mark [C] on the carburetor body.
- Feed fuel to the carburetor, then turn out the carburetor drain plug a few turns.
- Wait until the fuel level in the gauge settles.
- Keeping the gauge vertical, align the basic line with the mark.

#### NOTE

○ Do not lower the basic line below the mark on the carburetor body. If the gauge is lowered and then raised again, the fuel level measured shows somewhat higher than the actual fuel level. If the gauge is lowered too far, dump the fuel into a suitable container and start the procedure over again.

- Read the fuel level [D] in the gauge. It should align with the center line on the gauge ( $\pm 1$  mm).



## 2-10 FUEL SYSTEM

### Service Fuel Level

(below the mark on the carburetor body)

Standard: 22.2 ± 1 mm

- Screw in the carburetor drain plug.
- Stop feeding and remove the fuel level gauge.
- ★ If the fuel level is incorrect, adjust it (see Service Fuel Level Adjustment).

### Service Fuel Level Adjustment

#### ▲WARNING

Gasoline is extremely flammable and can be explosive under certain conditions. Turn the ignition switch OFF. Do not smoke. Make sure the area is well-ventilated and free from any source of flame or sparks; this includes any appliance with a pilot light.

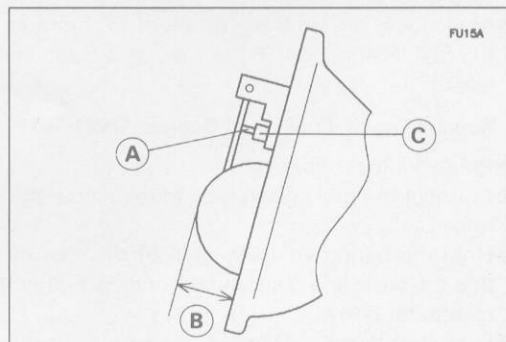
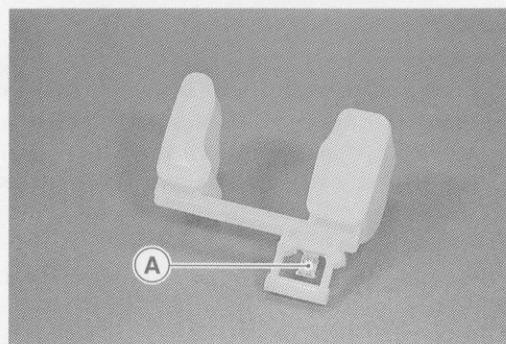
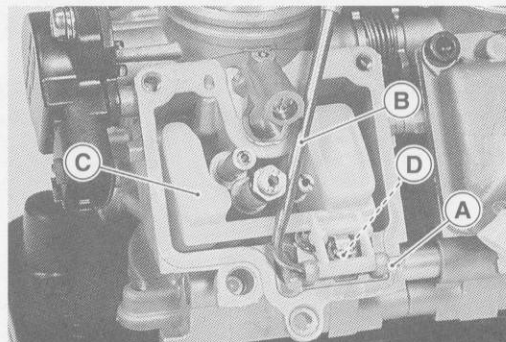
- Remove the carburetor, and drain the fuel into a suitable container.
- Remove the float bowl.
- Slide out the pivot pin [A] with a suitable tool [B], and remove the float [C] and float valve needle [D].
- Bend the tang [A] on the float arm very slightly to change the float height. Increasing the float height lowers the fuel level and decreasing the float height raises the fuel level.

### Float Height

Standard: 7 ± 2 mm

#### NOTE

- Do not push the needle rod [A] in during the float height measurement [B].
- Assemble the carburetor, and recheck the fuel level.
- ★ If the fuel level cannot be adjusted by this method, the float or the float valve [C] is damaged.



FU15A

### Fuel System Cleanliness Inspection

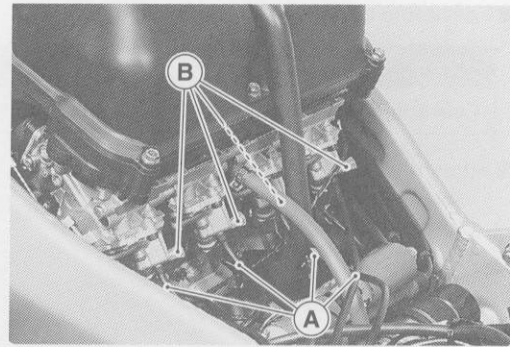
#### ⚠WARNING

Gasoline is extremely flammable and can be explosive under certain conditions. Turn the ignition switch OFF. Do not smoke. Make sure the area is well-ventilated and free from any source of flame or sparks; this includes any appliance with a pilot light.

- Remove the fuel tank (see Fuel Tank Removal)
- Connect a suitable hose [A] to the fitting at the bottom of each carburetor float bowl.
- Run the lower ends of the hoses into a suitable container.
- Turn out each drain plug [B] a few turns and drain the float bowls.

**Special Tool – Carburetor Drain Plug Wrench, Hex 3: 57001-1269**

- Check to see if water or dirt comes out.
- Tighten the drain plugs.
- ★ If any water or dirt appears during the above inspection, clean the fuel system (see Carburetor Cleaning and Fuel Tank Cleaning).

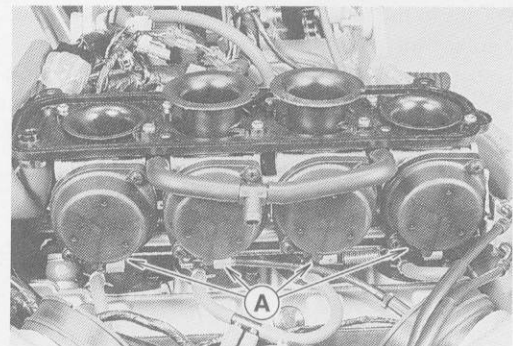


### Carburetor Removal

#### ⚠WARNING

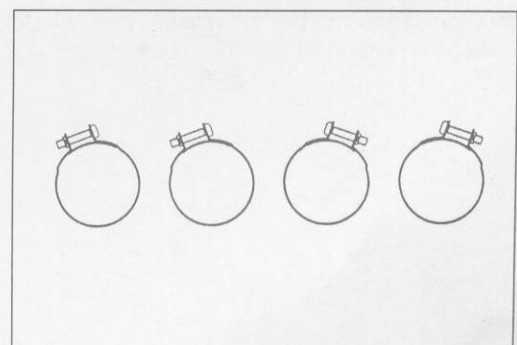
Gasoline is extremely flammable and can be explosive under certain conditions. Turn the ignition switch OFF. Do not smoke. Make sure the area is well-ventilated and free from any source of flame or sparks; this includes any appliance with a pilot light.

- Drain the coolant (For the KR, FG, FR, IT, UK, AR, NL and ST models, see Cooling System chapter)
- Remove:
  - Seats (see Frame chapter)
  - Fuel Tank (see Fuel Tank Removal)
  - Air Cleaner Housing (see Air Cleaner Housing Removal)
  - Vent Hose
  - Fuel Hose
  - Coolant Hoses (For the KR, FG, FR, IT, UK, AR, NL and ST Models)
  - Throttle Sensor Connector
  - Fuel Cut Valve Connectors (CA and ZX600-H Models)
- Loosen the carburetor clamp screws [A], and remove the carburetors.
- Remove the throttle cable ends and choke cable.
- Stuff pieces of lint-free, clean cloth into the carburetor holders to keep dirt out of the engine.



### Carburetor Installation

- Route the cables, harness, and hoses correctly (see General Information chapter).
- Tighten the clamps for the carburetor holders at the position in the figure.





- Check fuel leakage from the carburetors.

**⚠ WARNING**

**Fuel spilled from the carburetors is hazardous.**

- Adjust the following items if necessary.
  - Idle Speed
  - Carburetor Synchronization
  - Throttle Cables
  - Choke Cable

### *Carburetor Disassembly/Assembly*

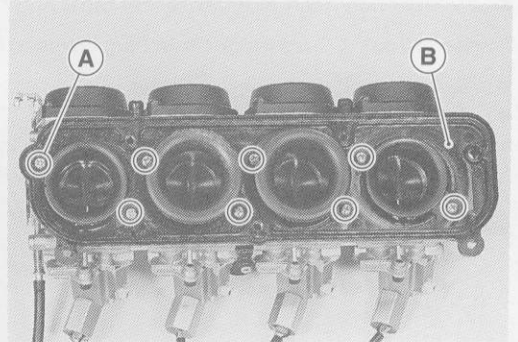
- Remove the carburetors.
- Unscrew the bolts [A].
- Remove the air cleaner holder [B].

**⚠ WARNING**

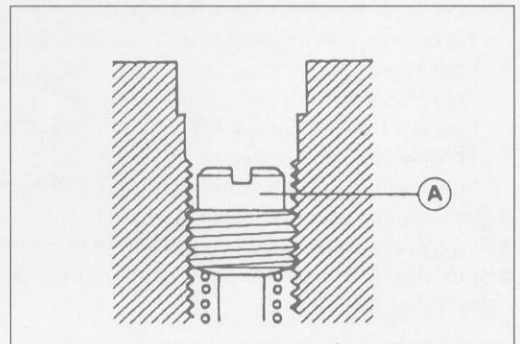
**Gasoline is extremely flammable and can be explosive under certain conditions. Turn the ignition switch OFF. Do not smoke. Make sure the area is well-ventilated and free from any source of flame or sparks; this includes any appliance with a pilot light.**

**CAUTION**

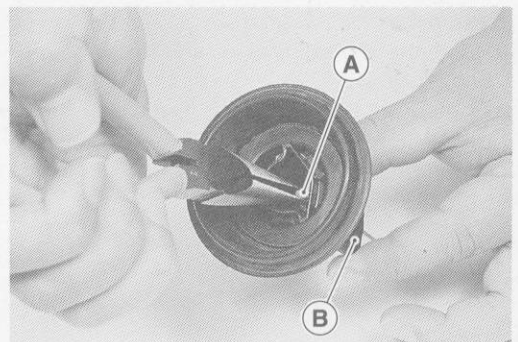
**During carburetor disassembly, be careful not to damage the diaphragm. Never use a sharp edge to remove the diaphragm.**



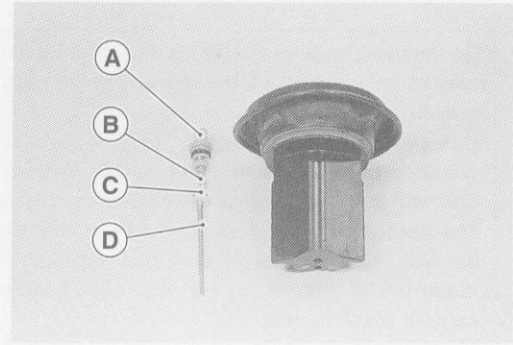
- Turn in the pilot screw [A] and count the number of turns until it seats fully but not tightly, and then remove the screw. This is to set the screw to its original position when assembling.
- Turn in the pilot screw fully but not tightly, and then back it out the same number of turns counted during disassembly.



- When removing the jet needle, pull out the holder [A] from the vacuum piston [B].



- Remove:
  - Holder [A]
  - Spring [B]
  - Washer [C]
  - Jet Needle [D]



- After installing the upper chamber cover, check that the vacuum piston slides up and down smoothly without binding in the carburetor bore.

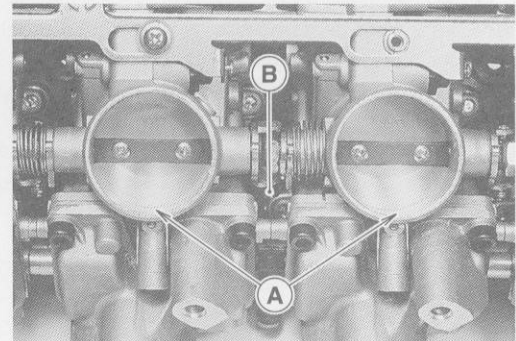
### Carburetor Separation/Assembly

- Read the WARNING in Carburetor Disassembly/Assembly.
- The center lines of the carburetor bores must be parallel both horizontally and vertically. If they are not, loosen the mounting screws and align the carburetors on a flat surface. Retighten the mounting screws.
- After assembling the choke mechanism, check to see that the starter plunger lever slides right to left smoothly without abnormal friction.

**CAUTION**

**Fuel mixture trouble could result if the starter plunger lever does not seat properly in its rest position after the choke lever is returned.**

- Visually synchronize the throttle (butterfly) valves.
- Check to see that all throttle valves open and close smoothly without binding when turning the pulley.
- Visually check the clearance [A] between the throttle valve and the carburetor bore in each carburetor.
- ★ If there is a difference between any two carburetors, turn the balance adjusting screw(s) [B] to obtain the same clearance.



### Carburetor Cleaning

**▲WARNING**

**Clean the carburetors in a well-ventilated area, and take care that there is no sparks or flame anywhere near the working area; this includes any appliance with a pilot light. Because of the danger of highly flammable liquids, do not use gasoline or low flash-point solvents to clean the carburetors.**

**CAUTION**

Do not use compressed air on an assembled carburetor, or the floats may be crushed by the pressure, and the vacuum piston diaphragms may be damaged.

Remove as many rubber or plastic parts from the carburetor as possible before cleaning the carburetor with a cleaning solution. This will prevent damage to or deterioration of the parts.

The carburetor body has plastic parts that cannot be removed. Do not use a strong carburetor cleaning solution which could attack these parts; instead, use a mild high flash-point cleaning solution safe for plastic parts.

Do not use wire or any other hard instrument to clean carburetor parts, especially jets, as they may be damaged.

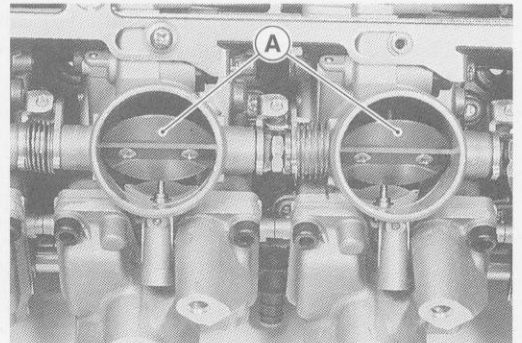
- Disassemble the carburetor.
- Immerse all the metal parts in a carburetor cleaning solution.
- Rinse the parts in water.
- When the parts are clean, dry them with compressed air.
- Blow through the air and fuel passages with compressed air.
- Assemble the carburetor.

*Carburetor Inspection*

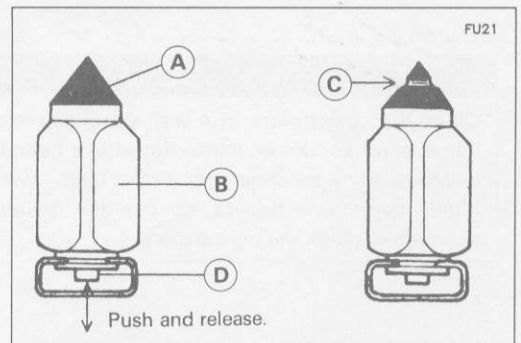
**▲ WARNING**

Gasoline is extremely flammable and can be explosive under certain conditions. Turn the ignition switch OFF. Do not smoke. Make sure the area is well-ventilated and free from any source of flame or sparks; this includes any appliance with a pilot light.

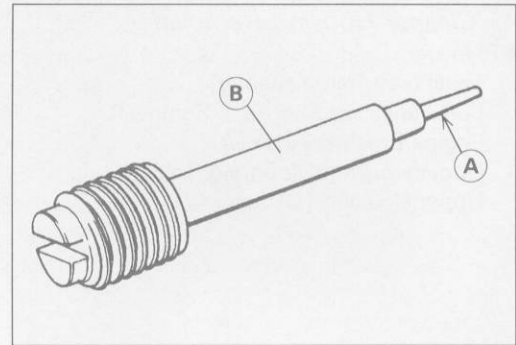
- Remove the carburetors.
- Before disassembling the carburetors, check the fuel level (see Fuel Level Inspection).
- ★ If the fuel level is incorrect, inspect the rest of the carburetor before correcting it.
- Move the starter plunger lever to the left and release it to check that the starter plungers move smoothly and return by spring tension.
- ★ If the starter plungers do not work properly, replace the carburetors.
- Turn the throttle cable pulley to check that the throttle butterfly valves [A] move smoothly and return by spring tension.
- ★ If the throttle valves do not move smoothly, replace the carburetors.



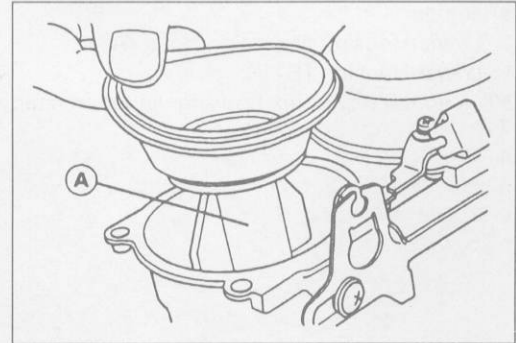
- Disassemble the carburetors.
- Clean the carburetors.
- Check that the O-rings on the float bowl and pilot screw and the diaphragm on the vacuum piston are in good condition.
- ★ If any of the O-rings or diaphragms are not in good condition, replace them.
- Check the plastic tip [A] of the float valve needle [B]. It should be smooth, without any grooves, scratches, or tears.
- ★ If the plastic tip is damaged [C], replace the needle.
- Push the rod [D] in the other end of the float valve needle, and then release it.
- ★ If the rod does not spring out, replace the needle.



- Check the tapered portion [A] of the pilot screw [B] for wear or damage.
- ★ If the pilot screw is worn or damaged on the tapered portion, it will prevent the engine from idling smoothly. Replace it.



- Check that the vacuum piston [A] moves smoothly in the carburetor body. The surface of the piston must not be excessively worn.
- ★ If the vacuum piston does not move smoothly, or if it is very loose in carburetor body, replace the carburetor.

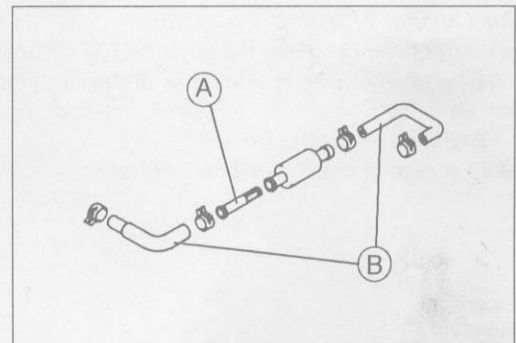


### Coolant Filter Cleaning

(AR, FG, FR, IT, KR, NL, ST, UK Models)

Before winter season starts, clean the filter of carburetor system.

- Remove the fuel tank (see Fuel Tank Removal).
- Drain the coolant (see Cooling System chapter).
- Remove the filter [A] from the cooling hoses [B] of carburetor system.
- Blow off dirt and sediment on the filter with compressed air.



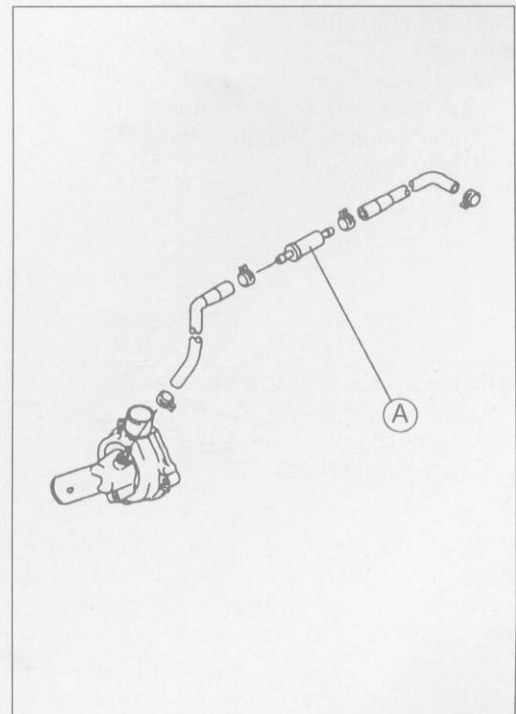
### Coolant Valve Inspection

(AR, FG, FR, IT, KR, NL, ST, UK Models)

- Drain the coolant (see Cooling System chapter).
- Remove the coolant valve on the engine left side.
- Inspect the coolant valve [A] at room temperature.
- ★ If the valve is closed, replace the valve with a new one.
- To check valve opening just blow through the valve.

#### Valve Closing Temperature (for reference)

Standard: 70°C (158°F) or more at 125 kPa  
(0.25 kg/cm<sup>2</sup>, 3.6 psi)

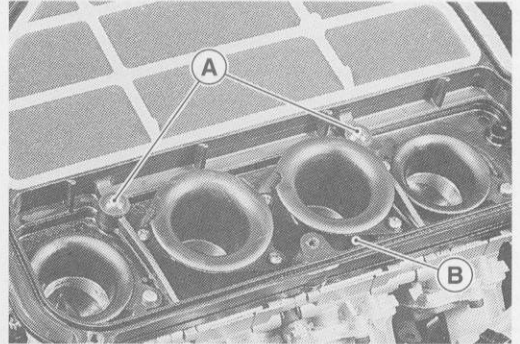
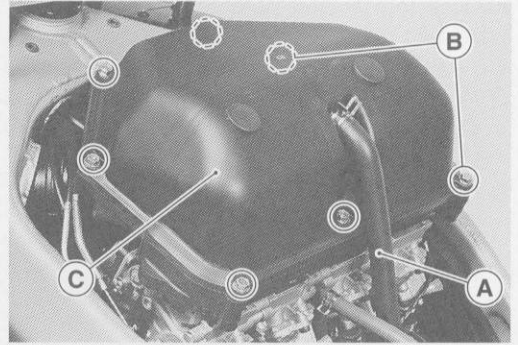


## 2-16 FUEL SYSTEM

### Air Cleaner

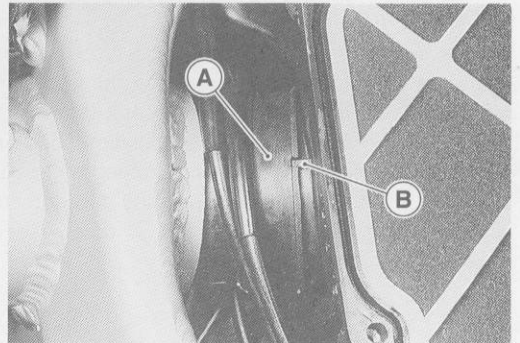
#### Air Cleaner Housing Removal

- Remove:
  - Seats (see Frame chapter)
  - Fuel Tank (see Fuel Tank Removal)
  - Engine Breather Hose [A]
  - Upper Housing Mounting Bolts [B]
  - Upper Housing [C]
  
- Remove:
  - Lower Housing Mounting Bolts [A]
  - Lower Housing [B]
- Pull up the rear of the housing, and then remove it from the air ducts.



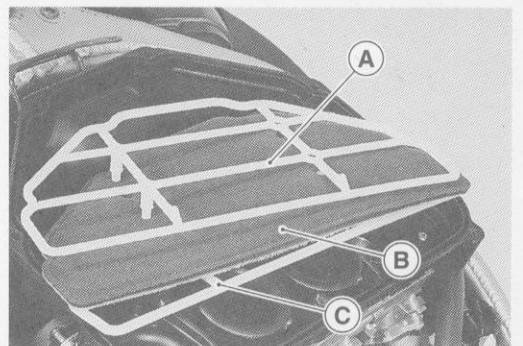
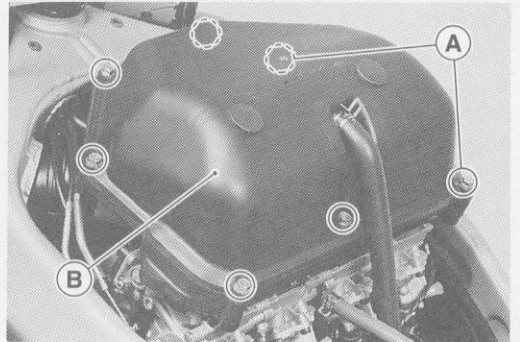
#### Air Cleaner Housing Installation

- Insert the housing into the air ducts [A] securely, and fit the projection [B] of the housing in the recess of the air ducts.
- Tighten:
  - Housing Mounting Bolts
- Be sure to fit the engine breather hose.



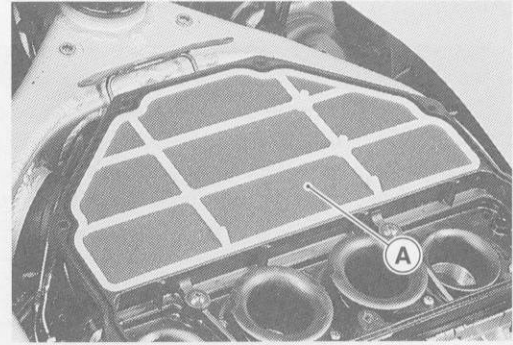
#### Element Removal

- Remove:
  - Seats (see Frame chapter)
  - Fuel Tank (see Fuel Tank Removal)
  - Upper Housing Mounting Bolts [A]
  - Upper Housing [B]
  
- Remove the following parts as a unit:
  - Upper Plastic Holder [A]
  - Element [B]
  - Lower Plastic Holder [C]



### Element Installation

- Install the element unit [A] with the foam element side (gray) facing up.

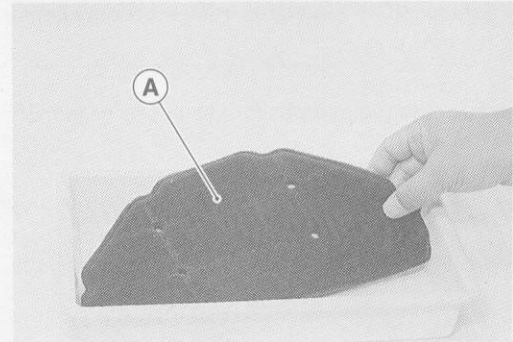


### Element Cleaning and Inspection

#### ⚠ WARNING

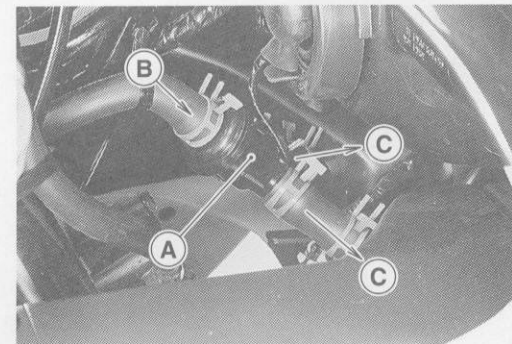
Clean the element in a well-ventilated area, and make sure that there are no sparks or flame anywhere near the working area. Because of the danger of highly flammable liquids, do not use gasoline or a low flash-point solvent to clean the element.

- Remove the air cleaner element [A] (see this chapter).
- Clean the element in a bath of high flash-point solvent, and then dry it with compressed air or by shaking it.
- After cleaning, saturate a clean, lint-free towel with SE, SF, or SG class SAE 30 oil and apply the oil to the element by tapping the element outside with the towel.
- Visually check the element for tears or breaks.
- ★ If the element has any tears or breaks, replace the element.



### Air Vent Filter Cleaning

- Remove:  
Air Vent Filter [A]
- Clean the filter by directing a stream of compressed air from the clean side [B] to the dirty side [C].



## 2-18 FUEL SYSTEM

### Fuel Tank

#### Fuel Tank Removal

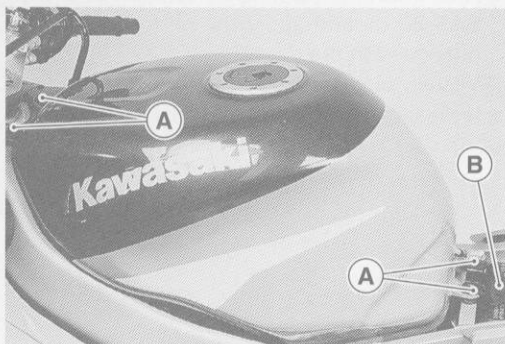
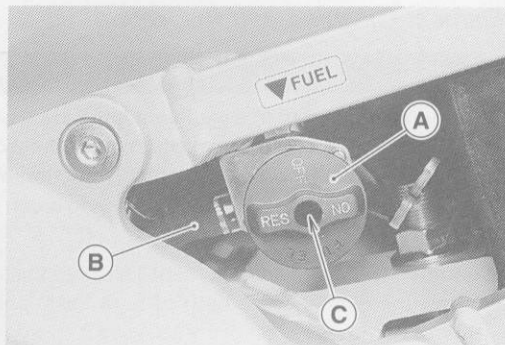
#### ▲WARNING

Gasoline is extremely flammable and can be explosive under certain conditions. Turn the ignition switch OFF. Do not smoke. Make sure the area is well-ventilated and free from any source of flame or sparks; this includes any appliance with a pilot light.

#### CAUTION

For California model, if gasoline, solvent, water or any other liquid enters the canister, the canister's vapor absorbing capacity is greatly reduced. If the canister does become contaminated, replace it with a new one.

- Turn the fuel tap position lever [A] to the OFF position.
- Remove:
  - Seats (see Frame chapter)
  - Evaporative Emission Hoses (California model)
  - Fuel Filter Hose [B]
  - Fuel Tap Position Lever Screw [C]
- Remove:
  - Mounting Bolts [A]
  - Bracket [B]
- Pull the rear part of the fuel tank rightside to clear the fuel tap, and then remove the fuel tank.



#### Fuel Tank Installation

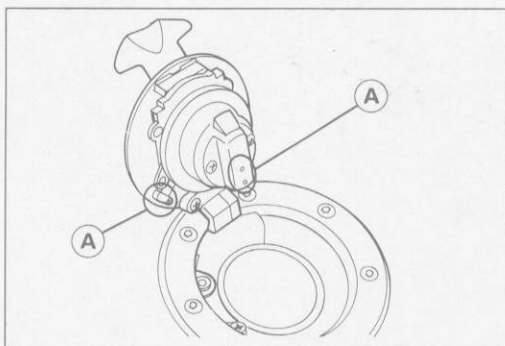
- Read the above WARNING.
- Route the hoses correctly (see General Information chapter).
- Be sure the hoses are clamped securely to prevent leaks.

#### Fuel Tank Inspection

- Remove the hose(s) from the fuel tank, and open the tank cap.
- Check to see if the breather pipe (also the fuel return pipe for the California model) in the tank is not clogged. Check the tank cap breather also.
- ★ If they are clogged, remove the tank and drain it, and then blow the breather free with compressed air.

#### CAUTION

Do not apply compressed air to the air vent holes [A] in the tank cap. This could cause damage and clogging of the labyrinth in the cap.



### Fuel Tank Cleaning

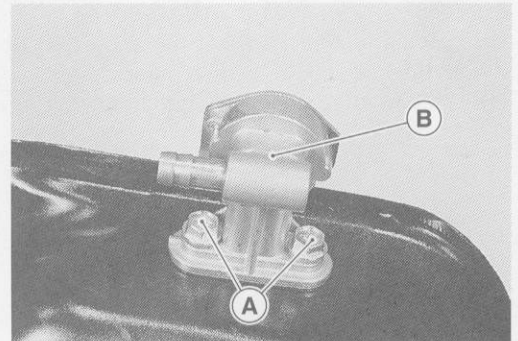
**⚠ WARNING**

**Clean the tank in a well-ventilated area, and take care that there are no sparks or flame anywhere near the working area. Because of the danger of highly flammable liquids, do not use gasoline or low flash-point solvents to clean the tank.**

- Remove the fuel tank and drain it.
- Pour some high flash-point solvent into the fuel tank and shake the tank to remove dirt and fuel deposits.
- Pour high flash-point solvent through the tap in all lever positions.
- Pour the solvent out of the tank.
- Remove the fuel tap from the tank (see Fuel Tap Removal).
- Clean the fuel tap filter screens in a high flash-point solvent.
- Dry the tank and fuel tap with compressed air.
- Install the fuel tap in the tank.
- Install the fuel tank (see Fuel Tank Installation).

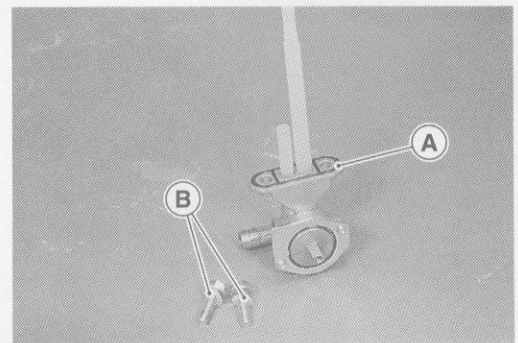
### Fuel Tap Removal

- Remove the fuel tap position lever (see Fuel Tank Removal).
- Remove the fuel tank and drain it.
- Remove:
  - Bolts [A]
  - Nylon Flat Washers
  - Fuel Tap [B]



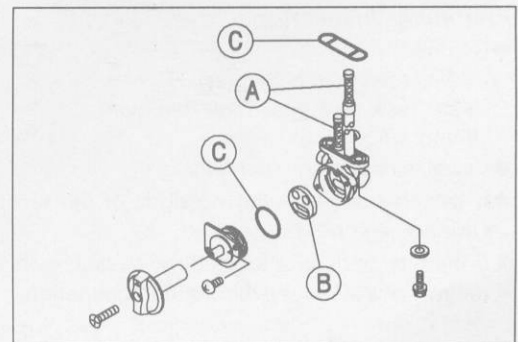
### Fuel Tap Installation

- Be sure the O-ring [A] is in good condition to prevent leaks.
- Be sure the nylon flat washers [B] are in good condition to prevent leaks.
- Do not use steel washers in place of the nylon flat washers, because they will not seal the bolts properly and fuel will leak.
- Be sure to clamp the fuel hoses to the tap to prevent leaks.



### Fuel Tap Inspection

- Remove the fuel tap.
- Check the fuel tap filter screens [A] for any breaks or deterioration.
- ★ If the screens have any breaks or are deteriorated, they may allow dirt to reach the carburetor, causing poor running. Replace the fuel tap.
- ★ If the fuel tap leaks, or allows fuel to flow when it is OFF, replace the damaged gasket [B] or O-rings [C].





## 2-20 FUEL SYSTEM

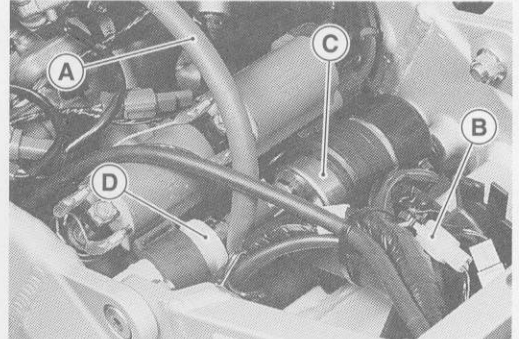
### Fuel Pump, Fuel Filter

#### Fuel Pump, Fuel Filter Removal

#### ▲WARNING

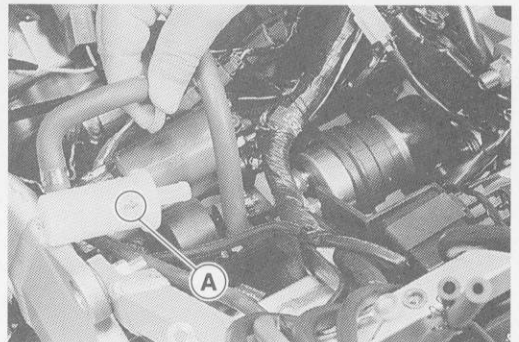
Gasoline is extremely flammable and can be explosive under certain conditions. Turn the ignition switch OFF. Do not smoke. Make sure the area is well-ventilated and free from any source of flame or sparks; this includes any appliance with a pilot light.

- Remove:
  - Seats (see Frame chapter)
  - Fuel Tank (see Fuel Tank Removal)
  - Fuel Hose [A]
  - Fuel Pump Lead Connector [B]
- Remove the fuel pump [C] and fuel filter [D].



#### Fuel Pump, Fuel Filter Installation

- Install the fuel filter so that the arrow [A] on it shows the fuel flow from the fuel tank to the fuel pump.
- Be sure to route the hoses so that they will not be kinked or stretched.



#### Fuel Pump Inspection

- Refer to Electrical System chapter.

#### Fuel Filter Inspection

- Remove:
  - Seats (see Frame chapter)
  - Fuel Tank (see Fuel Tank Removal)
  - Band
- Visually inspect the fuel filter.
- ★ If the filter is clear with no signs of dirt or other contamination, it is OK and need not be replaced.
- ★ If the filter is dark or looks dirty, replace with a new one. Also, check the rest of the fuel system for contamination.

## Evaporative Emission Control System (California Model Only)

The Evaporative Emission Control System routes fuel vapors from the fuel system into the running engine or stores the vapors in a canister when the engine is stopped. Although no adjustments are required, a thorough visual inspection must be made at the intervals specified by the Periodic Maintenance Chart.

### Parts Removal/Installation

#### ⚠ WARNING

**Gasoline is extremely flammable and can be explosive under certain conditions. Turn the ignition switch OFF. Do not smoke. Make sure the area is well-ventilated and free from any source of flame or sparks; this includes any appliance with a pilot light.**

#### CAUTION

**If gasoline, solvent, water or any other liquid enters the canister, the canister's vapor absorbing capacity is greatly reduced. If the canister does become contaminated, replace it with a new one.**

- To prevent the gasoline from flowing into or out of the canister, hold the separator perpendicular to the ground.
- Connect the hoses according to the diagram of the system. Make sure they do not get pinched or kinked.

### Hose Inspection

- Check that the hoses are securely connected.
- Replace any kinked, deteriorated or damaged hoses.

### Separator Inspection

- Disconnect the hoses from the liquid/vapor separator, and remove the separator from the motorcycle.
- Visually inspect the separator for cracks and other damage.
- ★ If the separator has any cracks or is badly damaged, replace it with a new one.

### Separator Operation Test

#### ⚠ WARNING

**Gasoline is extremely flammable and can be explosive under certain conditions. Turn the ignition switch OFF. Do not smoke. Make sure the area is well-ventilated and free from any source of flame or sparks; this includes any appliance with a pilot light.**

- Connect the hoses to the separator, and install the separator on the motorcycle.

## 2-22 FUEL SYSTEM

- Disconnect the breather hose from the separator, and inject about 20 mL of gasoline into the separator through the hose fitting.
- Disconnect the fuel return hose from the fuel tank.
- Run the open end of the return hose into the container and hold it level with the tank top.
- Start the engine, and let it idle.
- ★ If the gasoline in the separator comes out of the hose, the separator works well. If it does not, replace the separator with a new one.

### Canister Inspection

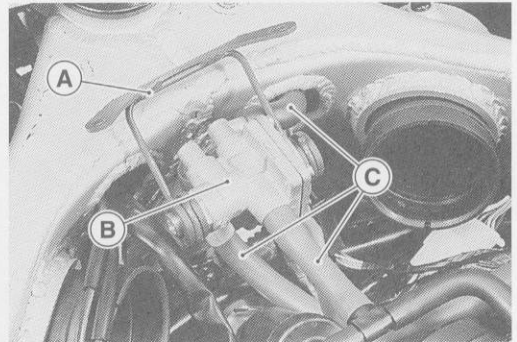
- Remove the canister, and disconnect the hoses from the canister.
- Visually inspect the canister for cracks and other damage.
- ★ If the canister has any cracks or bad damage, replace it with a new one.

### NOTE

- *The canister is designed to work well through the motorcycle's life without any maintenance if it is used under normal conditions.*

### Vacuum Valve Inspection

- Remove:
  - Air Cleaner Housing (see Air Cleaner Housing Removal)
  - Bracket [A] and Vacuum Valve [B]
  - Vacuum Valve Hoses [C]



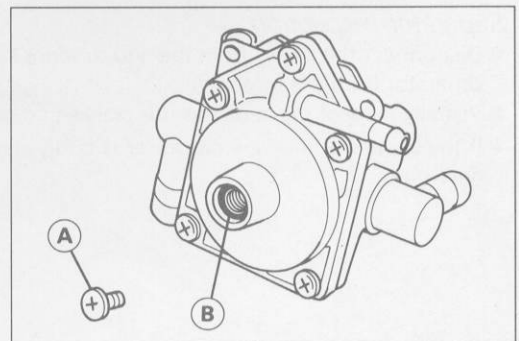
- Remove the drain screw [A] from the bottom of the chamber.
- ★ If any liquid accumulates in the chamber, drain it.

### ⚠ WARNING

The liquid may contain gasoline.

- Replace the O-ring [B] with a new one.
- After draining, install the drain screw with the O-ring.

**Torque – Vacuum Valve Drain Screw: 1.0 N-m (0.10 kg-m, 9 in-lb)**



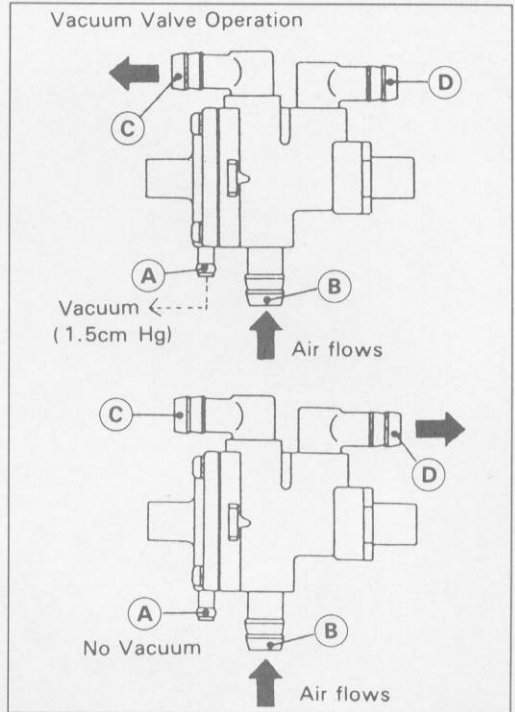
- Using a suitable vacuum gauge and fork oil level gauge, inspect the vacuum valve operation (see Vacuum Switch Valve Test in Engine Top End chapter).

**Special Tool – Fork Oil Level Gauge: 57001-1290**

- When applying vacuum (1.5 cmHg) to the vacuum sensing fitting [A], air flows from pipe [B] to pipe [C], and vice versa.
- When stopping applying vacuum, air flows from pipe [B] to pipe [D], and vice versa.
- ★ Nevertheless if the vacuum valve does not operate as described, replace it with a new one.

**CAUTION**

Do not use compressed air during the valve check, or the vacuum valve may be damaged.



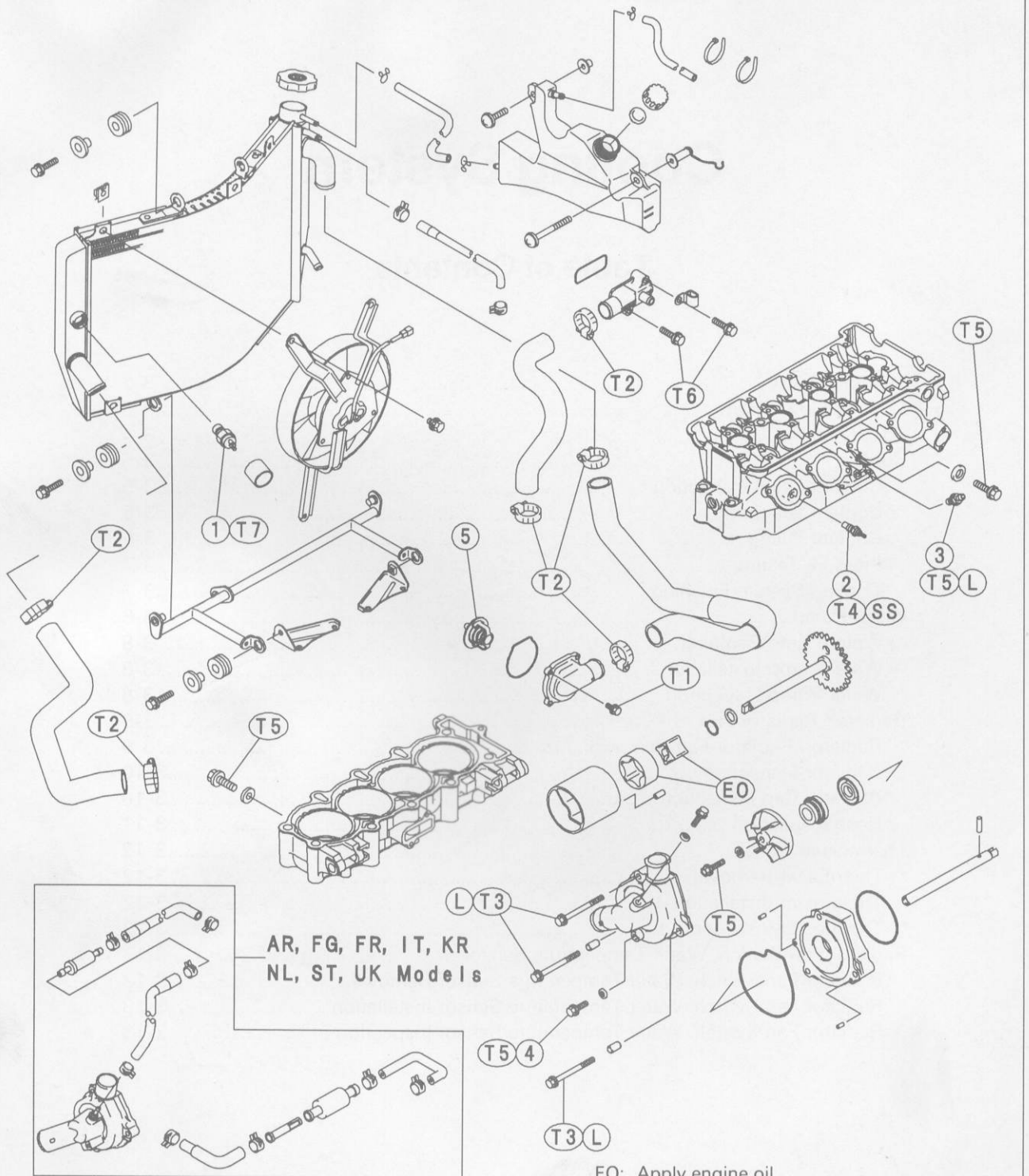
# Cooling System

## Table of Contents

Exploded View .....	3-2
Coolant Flow Chart.....	3-3
Specifications .....	3-4
Coolant .....	3-5
Coolant Level Inspection .....	3-5
Coolant Draining.....	3-5
Coolant Filling.....	3-6
Pressure Testing .....	3-7
Cooling System Flushing .....	3-7
Water Pump.....	3-8
Water Pump Removal .....	3-8
Water Pump Installation .....	3-8
Water Pump Inspection .....	3-8
Radiator, Radiator Fan .....	3-9
Radiator, Radiator Fan Removal.....	3-9
Radiator Inspection.....	3-10
Radiator Cap Inspection .....	3-10
Hose Inspection .....	3-11
Thermostat.....	3-12
Thermostat Removal .....	3-12
Thermostat Installation .....	3-12
Thermostat Inspection .....	3-12
Radiator Fan Switch, Water Temperature Sensor.....	3-13
Radiator Fan Switch, Water Temperature Sensor Removal .....	3-13
Radiator Fan Switch, Water Temperature Sensor Installation.....	3-13
Radiator Fan Switch, Water Temperature Sensor Inspection .....	3-13

## 3-2 COOLING SYSTEM

### Exploded View



AR, FG, FR, IT, KR  
NL, ST, UK Models

1. Radiator Fan Switch
2. Water Temperature Sensor
3. Coolant By-pass Fitting
4. Drain Plug
5. Thermostat

AR: Austria  
FG: Germany  
FR: France  
IT: Italy  
KR: Korea  
NL: Netherlands  
ST: Switzerland  
UK: U.K

EO: Apply engine oil.

L: Apply a non-permanent locking agent.

SS: Apply silicone sealant.

T1: 5.9 N-m (0.60 kg-m, 52 in-lb)

T2: 2.0 N-m (0.20 kg-m, 17 in-lb)

T3: 12 N-m (1.2 kg-m, 104 in-lb)

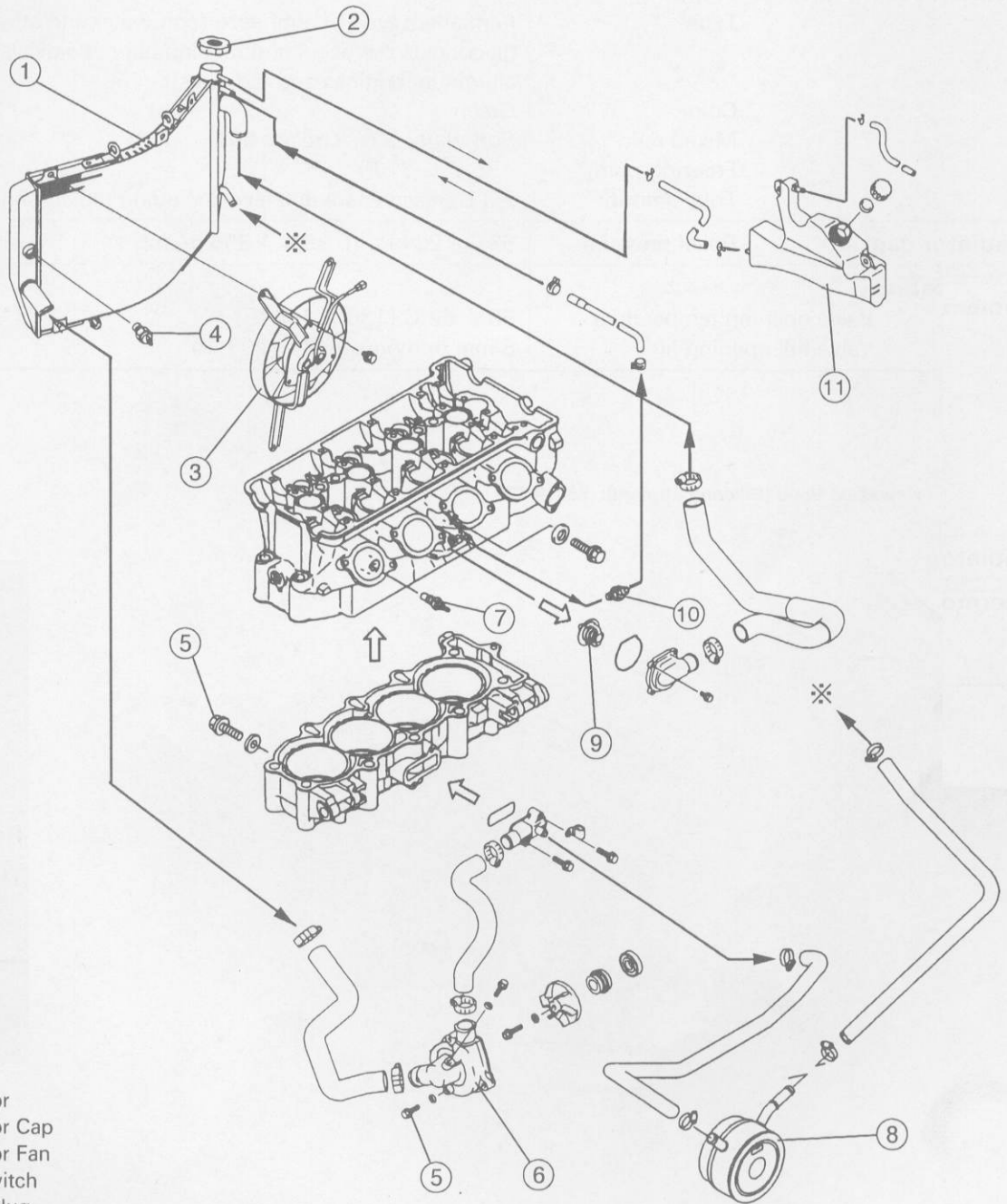
T4: 7.8 N-m (0.80 kg-m, 69 in-lb)

T5: 9.8 N-m (1.0 kg-m, 87 in-lb)

T6: 11 N-m (1.1 kg-m, 95 in-lb)

T7: 18 N-m (1.8 kg-m, 13.0 ft-lb)

Coolant Flow Chart



- 1. Radiator
- 2. Radiator Cap
- 3. Radiator Fan
- 4. Fan Switch
- 5. Drain Plug
- 6. Water Pump
- 7. Water Temperature Sensor
- 8. Oil Cooler
- 9. Thermostat

When the engine is cold, the thermostat is closed so that the coolant flow is restricted through the air bleeder hole, causing the engine to warm up more quickly.

- 10. By-pass Fitting  
The fitting is installed to bleed the air.
- 11. Reserve Tank

When the engine is very hot, the pressure valve in the radiator cap allows air and vapor to escape into the reserve tank. When the engine cools down, the pressure drop draws the vacuum valve (another small valve) open, admitting coolant from the reserve tank into the radiator.

### 3-4 COOLING SYSTEM

#### Specifications

Item	Standard
<b>Coolant provided when shipping:</b> Type  Color Mixed ratio Freezing point Total amount	Permanent type of antifreeze (soft water and ethylene glycol plus corrosion and rust inhibitor chemicals for aluminum engines and radiators) Green Soft water 50%, coolant 50% -35°C (-31°F) 2.3 L (reserve tank full level including radiator and engine)
<b>Radiator cap</b> Relief pressure:	93 ~ 123 kPa (0.95 ~ 1.25 kg/cm <sup>2</sup> , 14 ~ 18 psi)
<b>Thermostat:</b> Valve opening temperature Valve full opening lift	58 ~ 62°C (136 ~ 144 °F) 8 mm or more @95°C (203 °F)

Sealant – Kawasaki Bond (Silicone Sealant): 56019-120

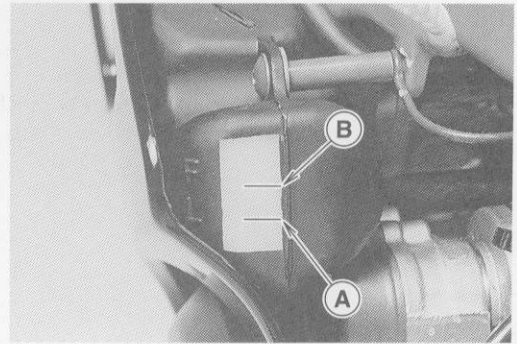


## Coolant

### Coolant Level Inspection

#### NOTE

- Check the level when the engine is cold (room or ambient temperature).
- Check the coolant level in the reserve tank with the motorcycle held perpendicular.
- ★ If the coolant level is lower than the low level line [A], add coolant to the full level line [B].



#### CAUTION

For refilling, add the specified mixture of coolant and soft water. Adding water alone dilutes the coolant and degrades its anticorrosion properties. The diluted coolant can attack the aluminum engine parts. In an emergency, soft water alone can be added. But the diluted coolant must be returned to the correct mixture ratio within a few days.

If coolant must be added often, or the reservoir tank has run completely dry; there is probably leakage in the cooling system. Check the system for leaks.

### Coolant Draining

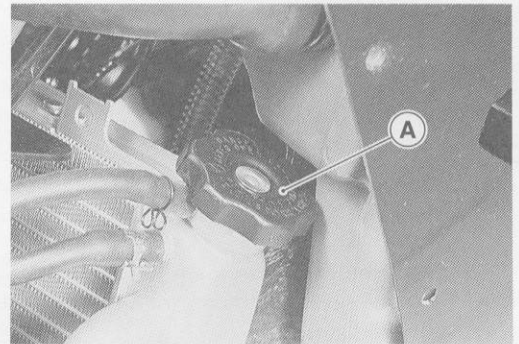
#### ⚠ WARNING

To avoid burns, do not remove the radiator cap or try to change the coolant when the engine is still hot. Wait until it cools down.

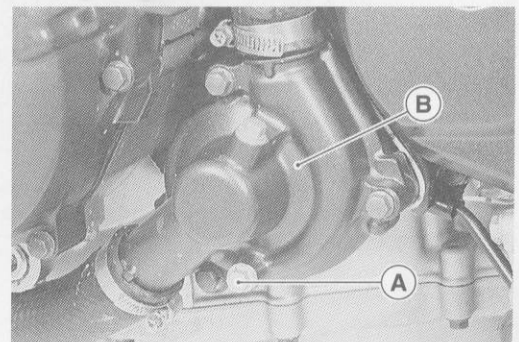
Coolant on tires will make them slippery and can cause an accident and injury. Immediately wipe up or wash away any coolant that spills on the frame, engine, or other painted parts.

Since coolant is harmful to the human body, do not use for drinking.

- Remove:  
Right Inner Fairing and Lower Fairings (see Frame chapter)  
Radiator Cap [A]

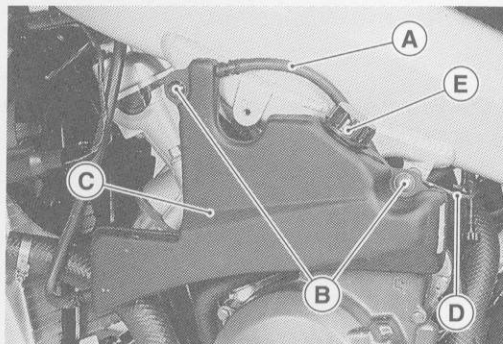


- Place a container under the drain plug [A] at the bottom of the water pump cover [B].
- Drain the coolant from the radiator and engine by removing the drain plug.



## 3-6 COOLING SYSTEM

- Remove:
  - Hose [A]
  - Mounting Screws [B] and Reserve Tank [C]
  - Collars and Idle Speed Adjusting Screw Bracket [D]
- Remove the cap [E] and pour the coolant into a container.

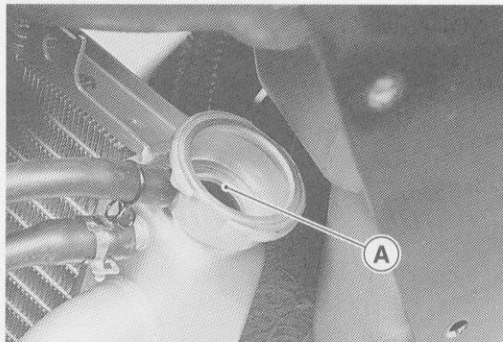


### Coolant Filling

- Tighten the drain plug.
  - Torque – Drain Plug: 9.8 N-m (1.0 kg-m, 87 in-lb)**
- Fill the radiator up to the radiator filler neck [A] with coolant, and install the radiator cap.

#### NOTE

- Pour in the coolant slowly so that it can expel the air from the engine and radiator.
- Fill the reserve tank up to the full level line with coolant, and install the cap.



#### CAUTION

Soft or distilled water must be used with the antifreeze (see below for antifreeze) in the cooling system.

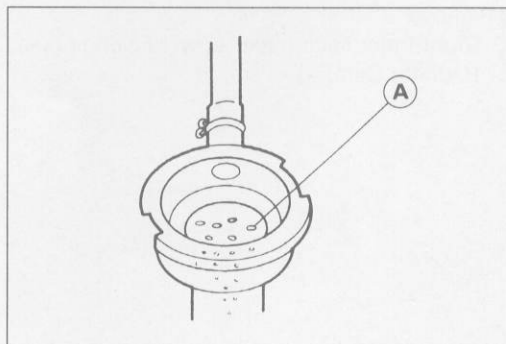
If hard water is used in the system, it causes scales accumulation in the water passages, and considerably reduces the efficiency of the cooling system.

#### Water and Coolant Mixture Ratio (Recommended)

Soft Water	: 50%
Coolant	: 50%
Freezing Point	: -35°C (-31°F)
Total Amount	: 2.3 L

#### NOTE

- Choose a suitable mixture ratio by referring to the coolant manufacturer's directions.
- Bleed the air from the cooling system as follows.
  - Start the engine with the radiator cap removed and run it until no more air bubbles [A] can be seen in the coolant.
  - Tap the radiator hoses to force any air bubbles caught inside.
  - Stop the engine and add coolant up to the radiator filler neck.
- Install the radiator cap.
- Start the engine, warm it up thoroughly until the radiator fan turns on and then stop the engine.
- Check the coolant level in the reserve tank after the engine cools down.
- ★ If the coolant level is lower than the low level line, add coolant to the full level line.



#### CAUTION

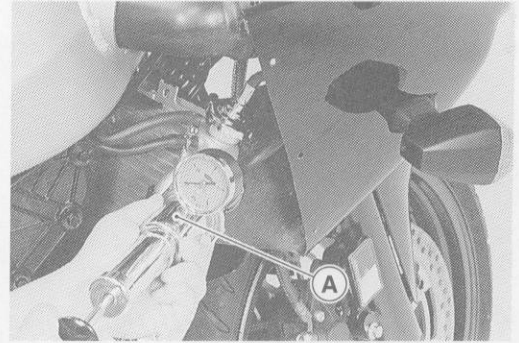
Do not add more coolant above the full level line.

### Pressure Testing

- Remove:
  - Right Inner Fairing and Lower Fairing (see Frame chapter)
  - Resonator Tank
- Remove the radiator cap, and install a cooling system pressure tester [A] on the filler neck.

#### NOTE

- *Wet the cap sealing surfaces with water or coolant to prevent pressure leaks.*
- Build up pressure in the system carefully until the pressure reaches 123 kPa (1.25 kg/cm<sup>2</sup>, 18 psi).



#### CAUTION

**During pressure testing, do not exceed the pressure for which the system is designed. The maximum pressure is 123 kPa (1.25 kg/cm<sup>2</sup>, 18 psi).**

- Watch the gauge for at least 6 seconds.
- ★ If the pressure holds steady, the system is all right.
- ★ If the pressure drops and no external source is found, check for internal leaks. Droplets in the engine oil indicate internal leakage. Check the cylinder head gasket and the water pump.
- Remove the pressure tester, replenish the coolant, and install the radiator cap.

### Cooling System Flushing

Over a period of time, the cooling system accumulates rust, scale, and lime in the water jacket and radiator. When this accumulation is suspected or observed, flush the cooling system. If this accumulation is not removed, it will clog up the water passage and considerably reduce the efficiency of the cooling system.

- Drain the cooling system (see Coolant Draining).
- Fill the cooling system with fresh water mixed with a flushing compound.

#### CAUTION

**Do not use a flushing compound which is harmful to the aluminum engine and radiator. Carefully follow the instructions supplied by the manufacturer of the cleaning product.**

- Warm up the engine, and run it at normal operating temperature for about ten minutes.
- Stop the engine, and drain the cooling system.
- Fill the system with fresh water.
- Warm up the engine and drain the system.
- Repeat the previous two steps once more.
- Fill the system with a permanent type coolant and bleed the air from the system (see Coolant Filling).

## 3-8 COOLING SYSTEM

### Water Pump

#### *Water Pump Removal*

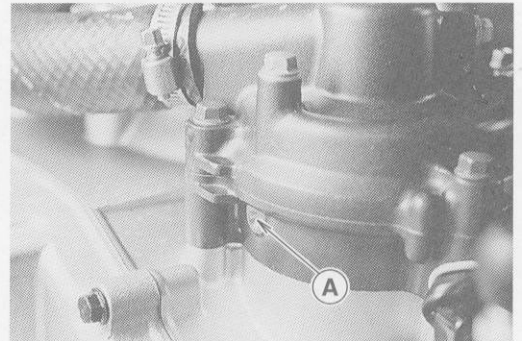
- Refer to Oil Pump Removal in Engine Lubrication System chapter.

#### *Water Pump Installation*

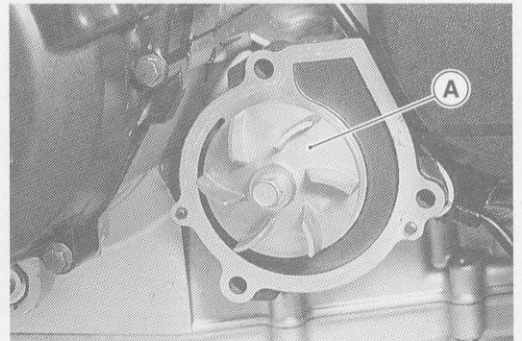
- Refer to Oil Pump Installation in Engine Lubrication System chapter.

#### *Water Pump Inspection*

- Check the drainage outlet passage [A] at the bottom of the water pump body for coolant leaks.
- ★ If the mechanical seal is damaged, the coolant leaks through the seal and drains through the passage. Replace the water pump unit with a new one.



- Visually inspect the impeller [A].
- ★ If the surface is corroded, or if the blades are damaged, replace the water pump unit.



## Radiator, Radiator Fan

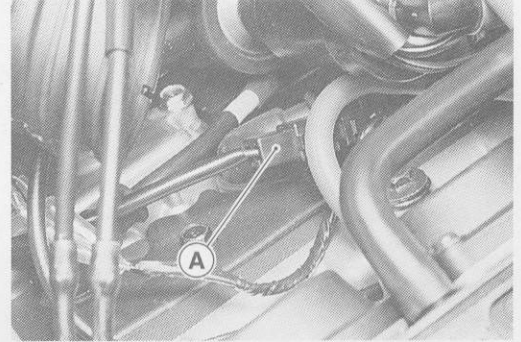
### Radiator, Radiator Fan Removal

#### ▲WARNING

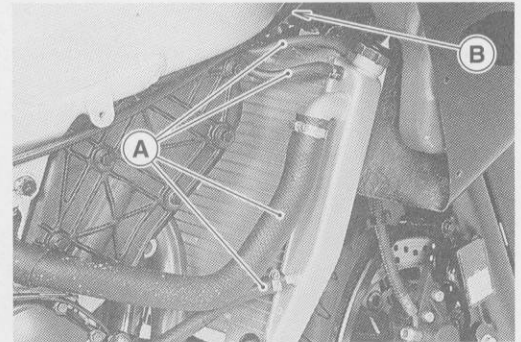
The radiator fan is connected directly to the battery. The radiator fan may start even if the ignition switch is off. NEVER TOUCH THE RADIATOR FAN UNTIL THE RADIATOR FAN CONNECTOR IS DISCONNECTED. TOUCHING THE FAN BEFORE THE CONNECTOR IS DISCONNECTED COULD CAUSE INJURY FROM THE FAN BLADES.

#### ●Remove:

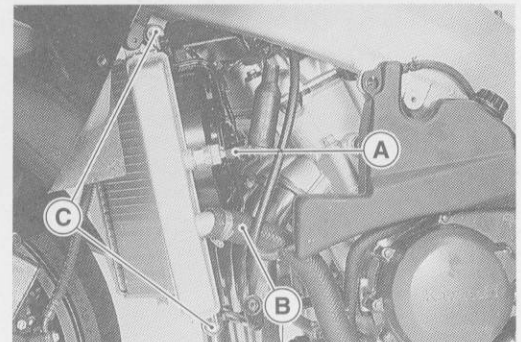
- Seats (see Frame chapter)
- Fuel Tank and Air Cleaner Housing (see Fuel System chapter)
- Lower and Inner Fairings (see Frame chapter)
- Coolant (see Coolant Draining)
- Radiator Fan Connector [A]



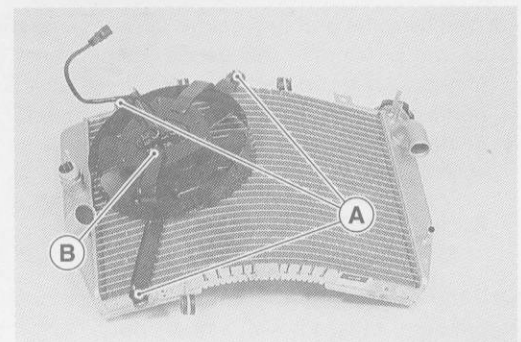
- Radiator Hoses [A]
- Radiator Mounting Bolt [B]



- Fan Switch Lead Connector [A]
- Radiator Hose [B]
- Radiator Mounting Bolts [C]
- Radiator

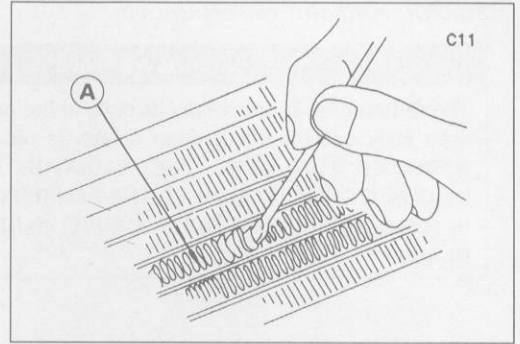


- Radiator Fan Mounting Bolts [A]
- Radiator Fan [B]



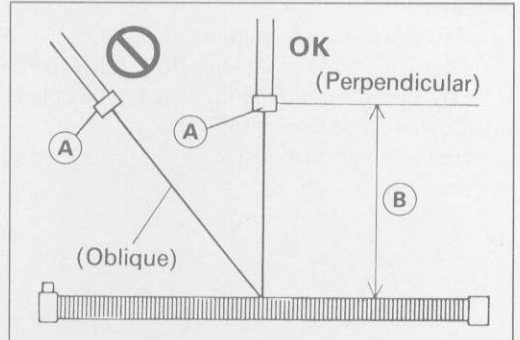
#### Radiator Inspection

- Check the radiator core.
- ★ If there are obstructions to air flow, remove them.
- ★ If the corrugated fins [A] are deformed, carefully straighten them.
- ★ If the air passages of the radiator core are blocked more than 20% by unremovable obstructions or irreparably deformed fins, replace the radiator with a new one.



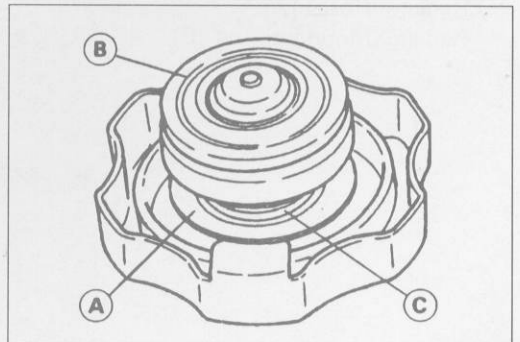
#### CAUTION

When cleaning the radiator with steam cleaner, be careful of the following to prevent radiator damage.  
 Keep the steam gun [A] away more than 0.5 m [B] from the radiator core.  
 Hold the steam gun perpendicular to the core surface.  
 Run the steam gun vertically following the core fin direction. Running it horizontally may damage the fin.



#### Radiator Cap Inspection

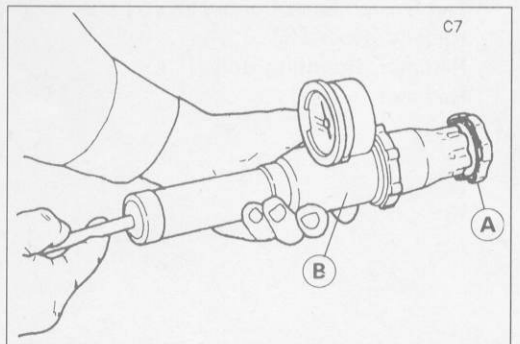
- Check the condition of the top [A] and bottom [B] valve seals and valve spring [C].
- ★ If any one of them shows visible damage, replace the cap with a new one.



- Install the cap [A] on a cooling system pressure tester [B].

#### NOTE

○ Wet the cap sealing surfaces with water or coolant to prevent pressure leaks.



- Watching the pressure gauge, slowly pump the pressure tester to build up the pressure. The gauge pointer must remain within the relief pressure range in the table below at least 6 seconds. Continue to pump the tester until the relief valve opens, indicated by the gauge pointer flicks downward. The relief valve must open within the specified range.

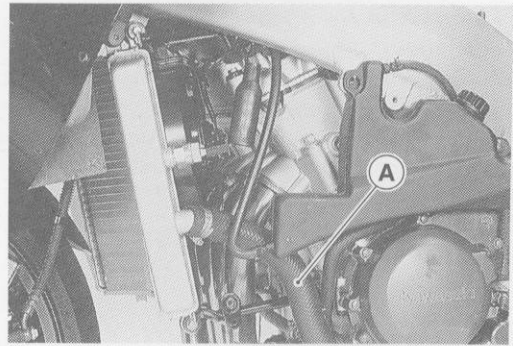
#### Radiator Cap Relief Pressure

Standard: 93 ~ 123 kPa (0.95 ~ 1.25 kg/cm<sup>2</sup>, 14 ~ 18 psi)

- ★ If the cap cannot hold the specified pressure, or if it holds too much pressure, replace it with a new one.

### *Hose Inspection*

- In accordance with the Periodic Maintenance Chart, visually inspect the radiator hoses [A] for signs of deterioration. Squeeze the hose. A hose should not be hard and brittle, nor should it be soft or swollen.
- Replace any damaged hose.

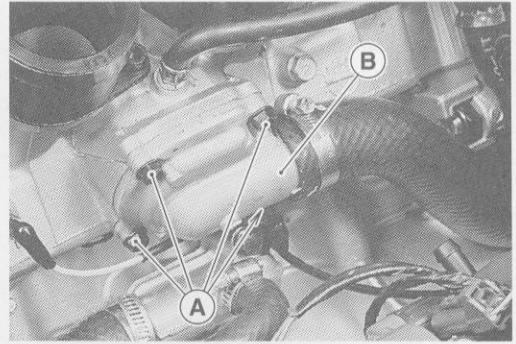


## 3-12 COOLING SYSTEM

### Thermostat

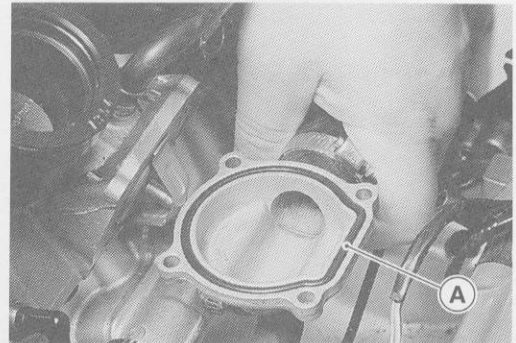
#### Thermostat Removal

- Remove:
  - Coolant (see Coolant Draining)
  - Seats (see Frame chapter)
  - Fuel Tank, Carburetors (see Fuel System chapter)
  - Thermostat Housing Cover Bolts [A]
  - Thermostat Housing Cover [B]
  - Thermostat



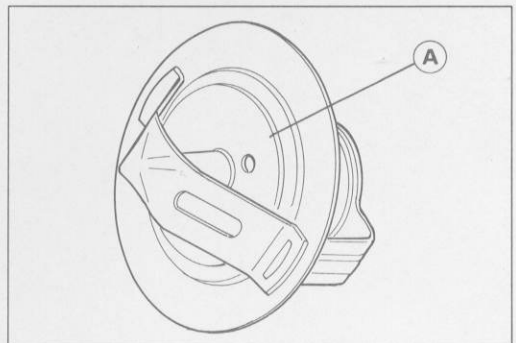
#### Thermostat Installation

- Be sure to install the O-ring [A] on the housing cover.
- Tighten the housing cover bolts.
- Torque – Thermostat Housing Cover Bolts: 5.9 N-m (0.60 kg-m, 52 in-lb)**
- Fill the radiator with coolant.



#### Thermostat Inspection

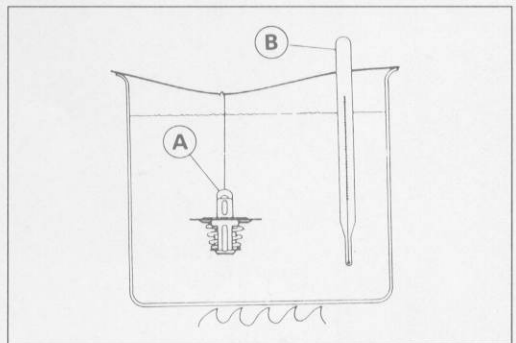
- Remove the thermostat, and inspect the thermostat valve [A] at room temperature.
- ★ If the valve is open, replace the thermostat with a new one.



- To check valve opening temperature, suspend the thermostat [A] in a container of water and raise the temperature of the water.
- The thermostat must be completely submerged and must not touch the container sides or bottom. Suspend an accurate thermometer [B] in the water. It must not touch the container, either.
- ★ If the measurement is out of the specified range, replace the thermostat with a new one.

#### Thermostat Valve Opening Temperature

58 ~ 62°C (136 ~ 144°F)





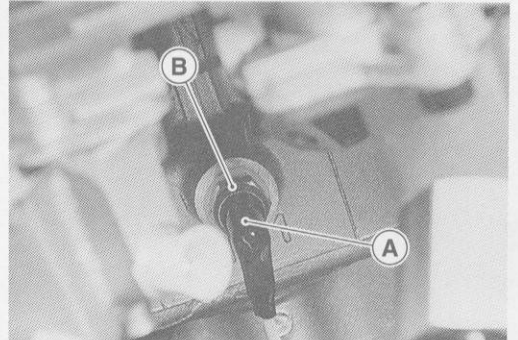
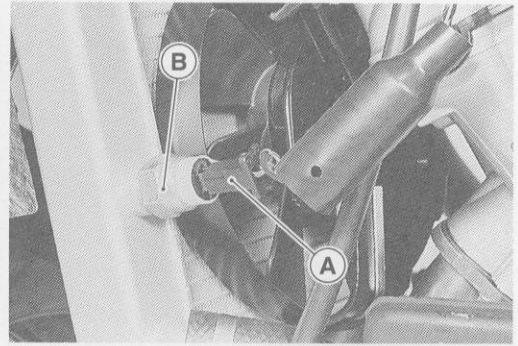
## Radiator Fan Switch, Water Temperature Sensor

### Radiator Fan Switch, Water Temperature Sensor Removal

#### CAUTION

The fan switch or the water temperature sensor should never be allowed to fall on a hard surface. Such a shock to their parts can damage them.

- Drain the coolant (see Coolant Draining).
- Remove:
  - Radiator Fan Switch Lead Connector [A]
  - Radiator Fan Switch [B]
- Seats (see Frame chapter)
- Fuel Tank (see Fuel System chapter)
- Water Temperature Sensor Lead Connector [A]
- Water Temperature Sensor [B]



### Radiator Fan Switch, Water Temperature Sensor Installation

- Apply silicone sealant to the threads of the water temperature sensor.
  - Sealant – Kawasaki Bond (Silicone Sealant): 56019-120**
- Tighten the fan switch and water temperature sensor.
  - Torque – Radiator Fan Switch : 18 N-m (1.8 kg-m, 13.0 ft-lb)**
  - Water Temperature Sensor : 7.8 N-m (0.80 kg-m, 69 in-lb)**

### Radiator Fan Switch, Water Temperature Sensor Inspection

- Refer to Electrical System chapter for these inspections.

# Engine Top End

## Table of Contents

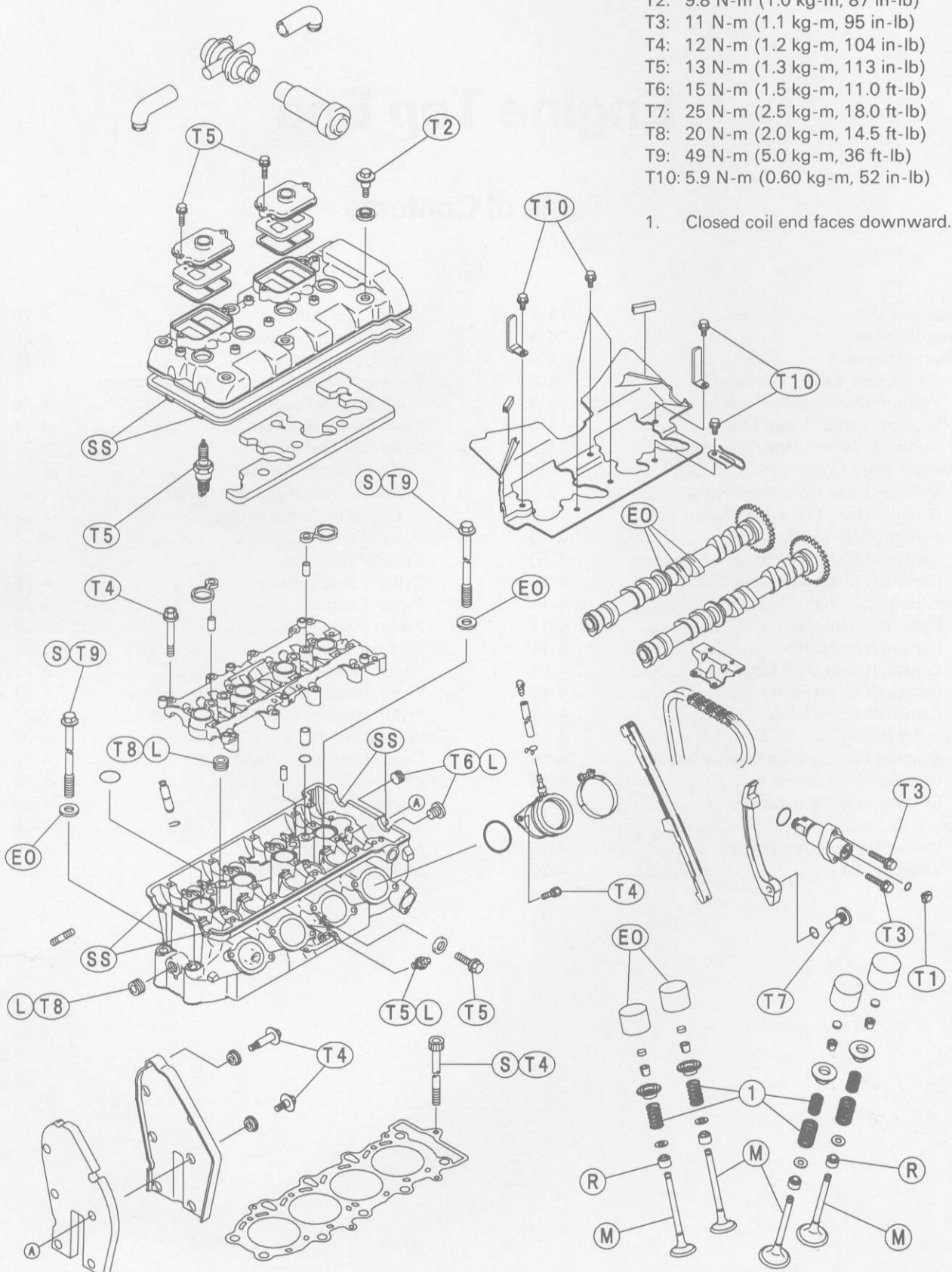
Exploded View .....	4-2	Valve Installation .....	4-20
Specifications .....	4-4	Valve Guide Removal .....	4-20
Clean Air System .....	4-6	Valve Guide Installation .....	4-20
Air Suction Valve Inspection .....	4-6	Valve-to-Guide Clearance Measurement (Wobble Method) .....	4-20
Vacuum Switch Valve Installation .....	4-6	Valve Seat Inspection .....	4-21
Vacuum Switch Valve Test.....	4-6	Valve Seat Repair.....	4-21
Clean Air System Hose Inspection.....	4-7	Seat Cutter Operation Care:.....	4-22
Cylinder Head Cover .....	4-8	Marks Stamped on the Cutter: .....	4-22
Cylinder Head Cover Removal .....	4-8	Operating Procedures: .....	4-22
Cylinder Head Cover Installation .....	4-8	Cylinder, Pistons .....	4-25
Camshaft Chain Tensioner.....	4-10	Cylinder Removal .....	4-25
Camshaft Chain Tensioner Removal.....	4-10	Cylinder Installation.....	4-25
Camshaft Chain Tensioner Installation .....	4-10	Piston Removal.....	4-25
Camshaft, Camshaft Chain .....	4-11	Piston Installation .....	4-26
Camshaft Removal .....	4-11	Cylinder Wear .....	4-26
Camshaft Installation.....	4-11	Piston Wear .....	4-27
Camshaft, Camshaft Cap Wear .....	4-12	Piston Ring, Piston Ring Groove Wear .....	4-27
Camshaft Chain Removal.....	4-12	Piston Ring End Gap.....	4-27
Camshaft Chain Wear.....	4-13	Carburetor Holder.....	4-28
Cylinder Head.....	4-14	Carburetor Holder Installation .....	4-28
Cylinder Compression Measurement.....	4-14	Muffler .....	4-29
Cylinder Head Removal.....	4-14	Muffler Removal .....	4-29
Cylinder Head Installation .....	4-15	Muffler Installation .....	4-29
Valves .....	4-16	Muffler Body Removal .....	4-29
Valve Clearance Adjustment .....	4-16	Muffler Body Installation.....	4-29
Valve Removal .....	4-20		

## 4-2 ENGINE TOP END

### Exploded View

- T1: 5.4 N-m (0.55 kg-m, 48 in-lb)
- T2: 9.8 N-m (1.0 kg-m, 87 in-lb)
- T3: 11 N-m (1.1 kg-m, 95 in-lb)
- T4: 12 N-m (1.2 kg-m, 104 in-lb)
- T5: 13 N-m (1.3 kg-m, 113 in-lb)
- T6: 15 N-m (1.5 kg-m, 11.0 ft-lb)
- T7: 25 N-m (2.5 kg-m, 18.0 ft-lb)
- T8: 20 N-m (2.0 kg-m, 14.5 ft-lb)
- T9: 49 N-m (5.0 kg-m, 36 ft-lb)
- T10: 5.9 N-m (0.60 kg-m, 52 in-lb)

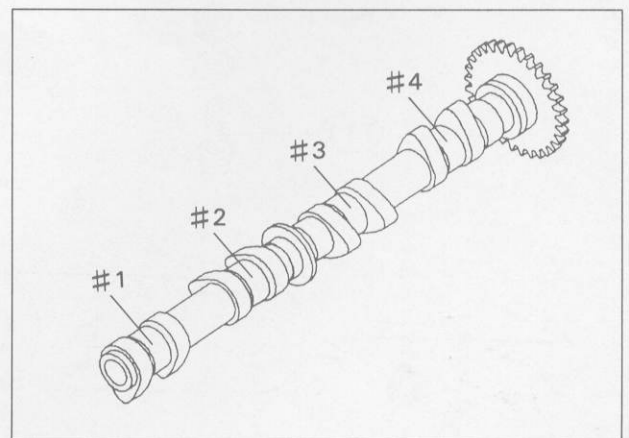
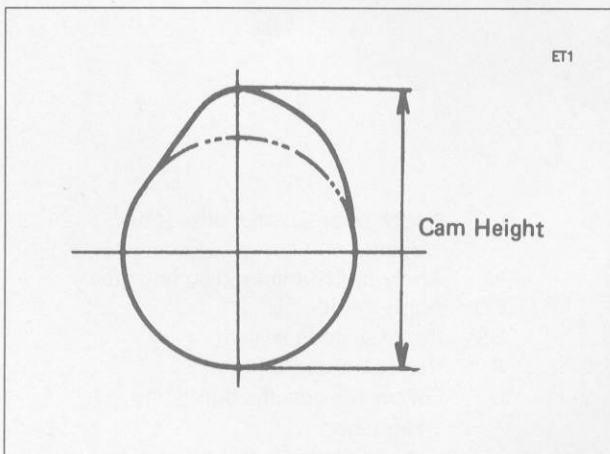
1. Closed coil end faces downward.



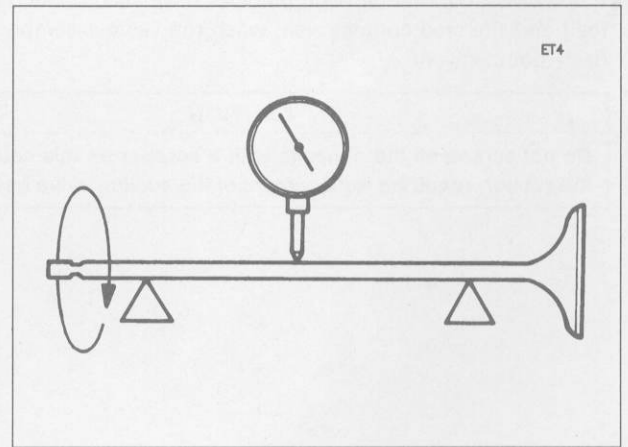
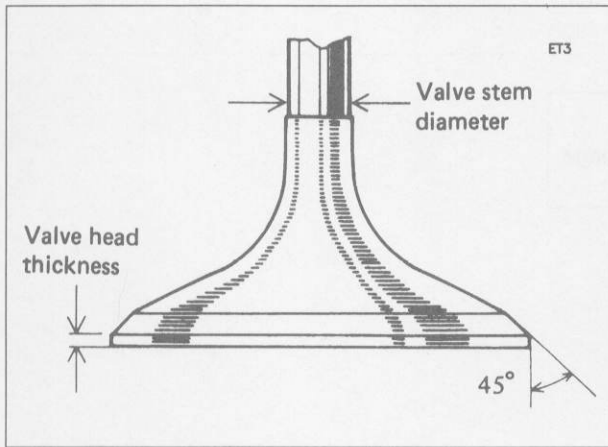
## 4-4 ENGINE TOP END

### Specifications

Item	Standard	Service Limit
<b>Clean Air System:</b> Vacuum switch valve closing pressure:	Open → Close 57 ~ 65 kPa (430 ~ 490 mmHg)	- - -
<b>Camshafts</b> Cam height: Exhaust Inlet Camshaft journal, camshaft cap clearance Camshaft journal diameter Camshaft bearing inside diameter Camshaft runout Camshaft chain 20-link length	34.345 ~ 34.453 mm 35.146 ~ 35.254 mm 0.038 ~ 0.081 mm 23.940 ~ 23.962 mm 24.000 ~ 24.021 mm TIR 0.02 mm or less 127.00 ~ 127.36 mm	34.24 mm 35.04 mm 0.17 mm 23.91 mm 24.08 mm TIR 0.1 mm 128.9 mm
<b>Cylinder Head:</b> Cylinder compression  Cylinder head warp	(usable range) 950 ~ 1 450 kPa (9.7 ~ 14.8 kg/cm <sup>2</sup> , 138 ~ 210 psi) @350 r/min (rpm) - - -	- - -  0.05 mm
<b>Valves:</b> Valve clearance: Exhaust Inlet Valve head thickness: Exhaust Inlet Valve stem bend Valve stem diameter: Exhaust Inlet Valve guide inside diameter: Exhaust Inlet Valve/valve guide clearance (wobble method): Exhaust Inlet Valve seat cutting angle	0.22 ~ 0.31 mm 0.11 ~ 0.19 mm 0.8 mm 0.5 mm TIR 0.01mm or less 3.955 ~ 3.970 mm 3.975 ~ 3.990 mm 4.000 ~ 4.012 mm 4.000 ~ 4.012 mm 0.10 ~ 0.18 mm 0.03 ~ 0.12 mm 45°, 32°, 60°	- - - - - - 0.5 mm 0.25 mm TIR 0.05 mm 3.94 mm 3.96 mm 4.08 mm 4.08 mm 0.35 mm 0.29 mm - - -



Item		Standard	Service Limit
Valve seat surface:	Width:	Exhaust Inlet	0.5 ~ 1.0 mm 0.5 ~ 1.0 mm
	Outside diameter:	Exhaust Inlet	22.1 ~ 22.3 mm 26.1 ~ 26.3 mm
Valve spring free length:	Exhaust	49.0 mm	47.6 mm
	Inlet(Inner)	44.1 mm	42.6 mm
	Inlet(Outer)	48.2 mm	46.6 mm
<b>Cylinder, Piston:</b>			
Cylinder inside diameter		66.000 ~ 66.012 mm	66.10 mm
Piston diameter		65.940 ~ 65.960 mm	65.79 mm
Piston/cylinder clearance		0.040 ~ 0.072 mm	---
Piston ring/groove clearance:	Top	0.05 ~ 0.09 mm	0.19 mm
	Second	0.03 ~ 0.07 mm	0.17 mm
Piston ring groove width:	Top	0.84 ~ 0.86 mm	0.94 mm
	Second	0.82 ~ 0.84 mm	0.92 mm
Piston ring thickness:	Top	0.77 ~ 0.79 mm	0.70 mm
	Second	0.77 ~ 0.79 mm	0.70 mm
Piston ring end gap:	Top	0.15 ~ 0.30 mm	0.6 mm
	Second	0.35 ~ 0.50 mm	0.8 mm



**Special Tools** – Fork Oil Level Gauge: 57001-1290  
 Spark Plug Wrench, 16mm: 92110-1146  
 Compression Gauge: 57001-221  
 Compression Gauge Adapter, M10 X 1.0: 57001-1317  
 Valve Spring Compressor Assembly: 57001-241  
 Valve Spring Compressor Adapter,  $\Phi 22$ : 57001-1202  
 Valve Spring Compressor Adapter,  $\Phi 20$ : 57001-1154  
 Valve Guide Arbor,  $\Phi 4$ : 57001-1273  
 Valve Guide Reamer,  $\Phi 4$ : 57001-1274  
 Valve Seat Cutter, 45° –  $\Phi 27.5$ : 57001-1114  
 Valve Seat Cutter, 32° –  $\Phi 28$ : 57001-1119  
 Valve Seat Cutter, 60° –  $\Phi 27$ : 57001-1409  
 Valve Seat Cutter, 45° –  $\Phi 24.5$ : 57001-1113  
 Valve Seat Cutter, 32° –  $\Phi 25$ : 57001-1118  
 Valve Seat Cutter, 60° –  $\Phi 25$ : 57001-1328  
 Valve Seat Cutter Holder,  $\Phi 4$ : 57001-1275  
 Valve Seat Cutter Holder Bar: 57001-1128  
 Piston Pin Puller Assembly: 57001-910

**Sealant** – Kawasaki Bond (Silicone Sealant): 56019-120

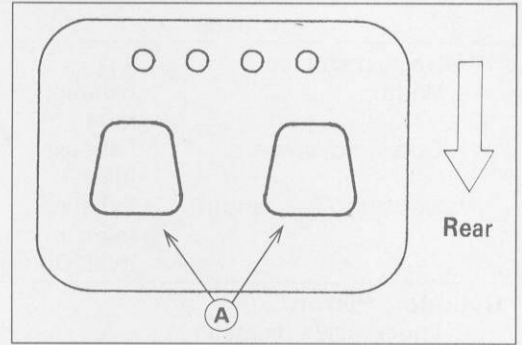
## 4-6 ENGINE TOP END

### Clean Air System

#### Air Suction Valve Installation

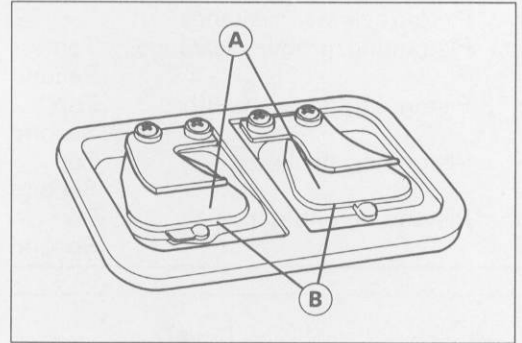
- Replace the gaskets with new ones.
- Install the air suction valve so that its wider side [A] of the reed faces the rear.
- Install the upper gasket so that the projection side faces the rear.

**Torque – Air Suction Valve Cover Bolts: 13 N-m (1.3 kg-m, 113 in-lb)**



#### Air Suction Valve Inspection

- Visually inspect the reeds [A] for cracks, folds, warps, heat damage, or other damage.
- ★ If there is any doubt as to the condition of the reed, replace the air suction valve as an assembly.
- Check the reed contact areas [B] of the valve holder for grooves, scratches, any signs of separation from the holder, or heat damage.
- ★ If there is any doubt as to the condition of the reed contact areas, replace the air suction valve as an assembly.
- If any carbon or other foreign particles have accumulated between the reed and the reed contact area, wash the valve assembly with a high flash-point solvent.

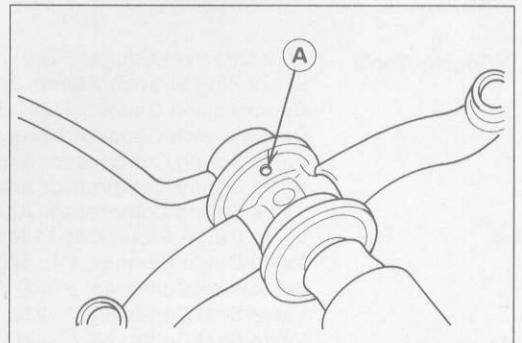


#### CAUTION

**Do not scrape off the deposits with a scraper as this could damage the rubber, requiring replacement of the suction valve assembly.**

#### Vacuum Switch Valve Installation

- Install the vacuum switch valve so that the air hole [A] faces downwards.
- Route the hoses correctly (see General Information chapter).

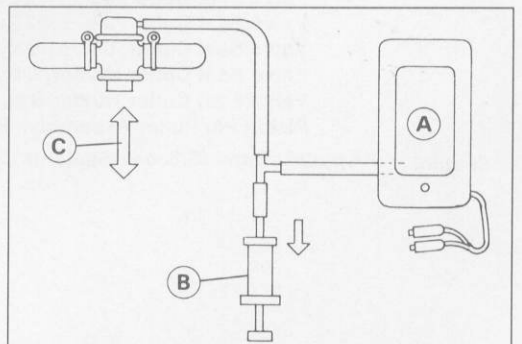


#### Vacuum Switch Valve Test

- Remove:
  - Fuel Tank, Air Cleaner Housing (see Fuel System chapter)
  - Vacuum Switch Valve
- Connect a suitable vacuum gauge [A] and syringe [B] or fork oil level gauge to the vacuum hoses as shown.

**Special Tool – Fork Oil Level Gauge: 57001-1290**

Air Flow [C]



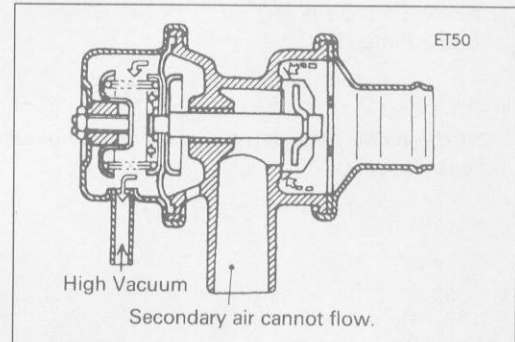
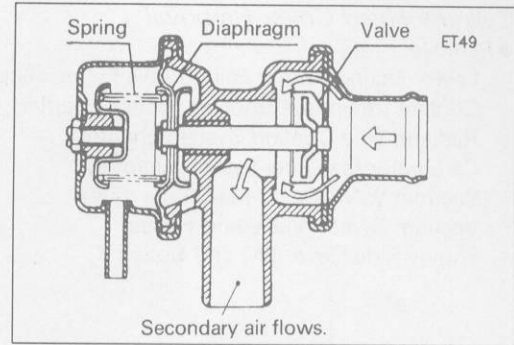
- Gradually raise the vacuum (lower the pressure) applied to the vacuum switch valve, and check the valve operation. When the vacuum is low, the vacuum switch valve should permit air to flow. When the vacuum raises to 57 ~ 65 kPa (430 ~ 490 mm Hg), it should stop air flow.
- ★ If the vacuum switch valve does not operate as described, replace it with a new one.

#### NOTE

- To check air flow through the vacuum switch valve, just blow through the air cleaner hose.

#### Vacuum Switch Valve Closing Pressure (Open → Close)

Standard: 57 ~ 65 kPa (430 ~ 490 mmHg)



#### Clean Air System Hose Inspection

- Be certain that all the hoses are routed without being flattened or kinked, and are connected correctly to the air cleaner housing, vacuum switch valve, #2 and #3 carburetor holders and air suction valve covers.
- ★ If they are not, correct them. Replace them if they are damaged.

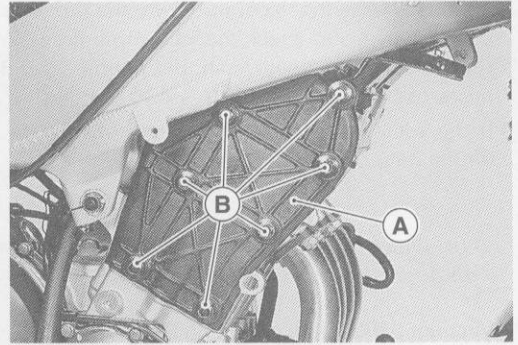
## 4-8 ENGINE TOP END

### Cylinder Head Cover

#### Cylinder Head Cover Removal

● Remove:

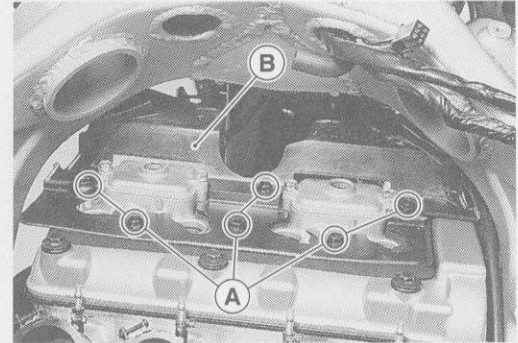
- Lower Fairings, Inner Fairing (see Frame chapter)
- Coolant (drain, see Cooling System chapter)
- Radiator (see Cooling System chapter)
- Carburetor (see Fuel System chapter)
- Vacuum Valve (California Model only)
- Vacuum Switch Valve and Hoses
- Engine Side Cover [A] and Bolts [B]



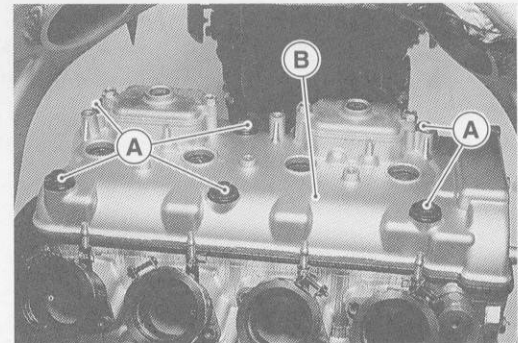
- Baffle Plate Bolts [A]
- Baffle Plate [B]

#### NOTE

○ If the baffle plate cannot easily be removed, remove the air suction valve covers.



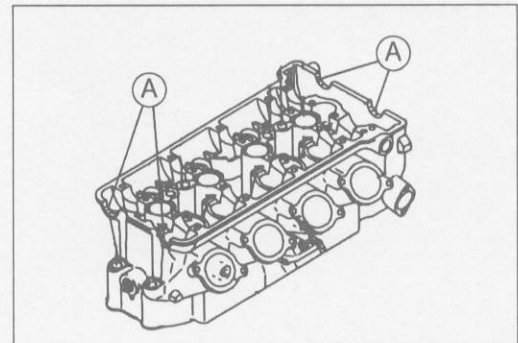
- Remove the cylinder head cover bolts [A] and take off the cover [B].



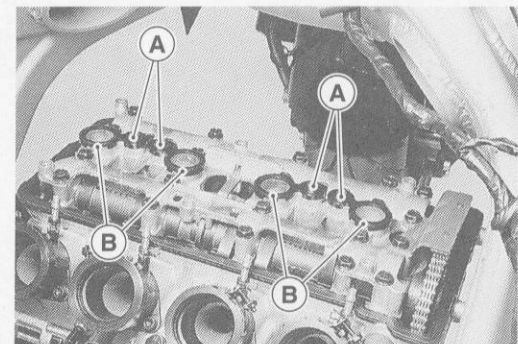
#### Cylinder Head Cover Installation

- Replace the head cover gasket with a new one if damaged.
- Apply silicone sealant to the cylinder head as shown [A].

**Sealant – Kawasaki Bond (Silicone Sealant): 56019-120**



- Be sure to install the pins [A] and rubber gaskets [B].





- Install the washer with the metal side [A] faces upward.
- Tighten the cylinder head cover bolts [B].

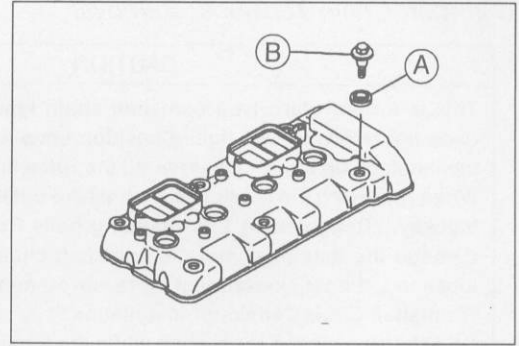
**Torque – Cylinder Head Cover Bolts: 9.8 N-m (1.0 kg-m, 87 in-lb)**

- Tighten the engine side cover bolts.

**Torque – Engine Side Cover Bolts: 12 N-m (1.2 kg-m, 104 in-lb)**

- Tighten the baffle plate bolts.

**Torque – Baffle Plate Bolts: 5.9 N-m (0.60 kg-m, 52 in-lb)**



## Camshaft Chain Tensioner

### Camshaft Chain Tensioner Removal

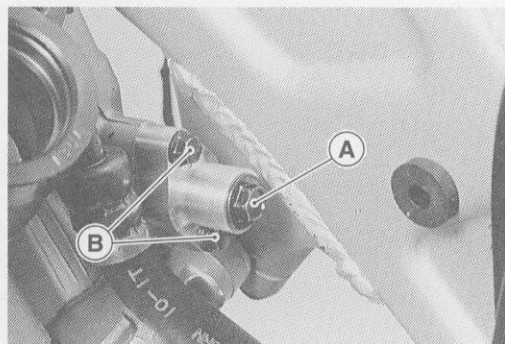
#### CAUTION

This is a non-return type camshaft chain tensioner. The push rod does not return to its original position once it moves out to take up camshaft chain slack. Observe all the rules listed below:

When removing the tensioner, do not take out the mounting bolts only halfway. Retightening the mounting bolts from this position could damage the tensioner and the camshaft chain. Once the bolts are loosened, the tensioner must be removed and reset as described in "Camshaft Chain Tensioner Installation."

Do not turn over the crankshaft while the tensioner is removed. This could upset the camshaft chain timing, and damage the valves.

- Remove:
  - Seats (see Frame chapter)
  - Fuel Tank, Air Cleaner Housing and Carburetor (see Fuel System chapter)
  - Ignition Coil (#1, #4)
- Loosen the cap bolt [A].
- Remove the mounting bolts [B] and take off the camshaft chain tensioner.



### Camshaft Chain Tensioner Installation

- Remove the cap bolt and O-ring.
- While compressing [A] the push rod [B], turn it clockwise [C] with a suitable screwdriver [D] until the rod stops.
- While holding the rod in position with the screwdriver or a holder plate, install the tensioner on the cylinder block.

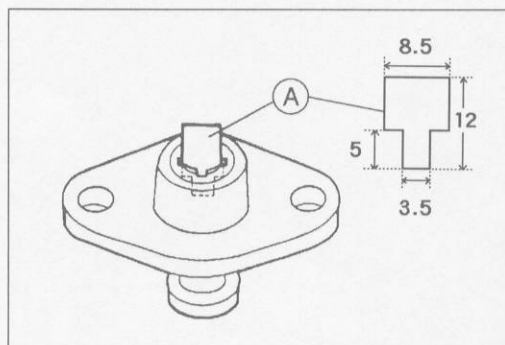
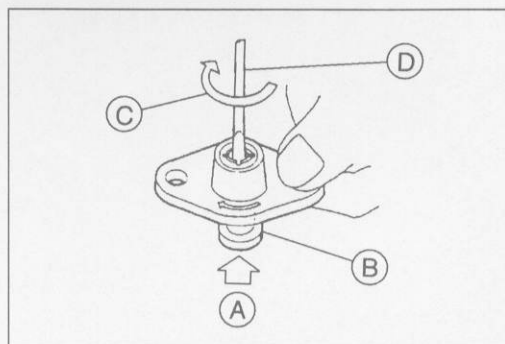
#### CAUTION

Do not turn the rod counterclockwise at installation. This could detach the rod and the tensioner cannot be reinstalled.

#### NOTE

○ To make the procedure easy, use a holder plate [A] to keep the rod from pushing out. A replacement chain tensioner (spare parts) has a holder plate.

- The holder plate can be made of 0.8 mm thick aluminum plate as shown.



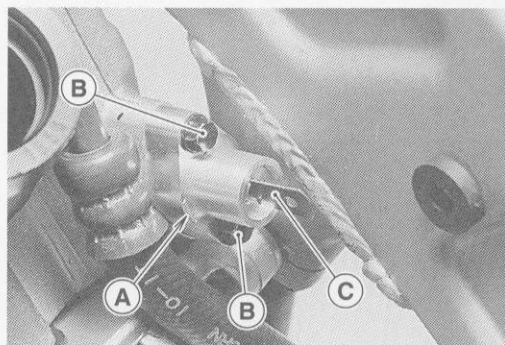
- Install the O-rings on the tensioner body and cap bolt.
- Install the tensioner body with the arrow [A] on it pointing upwards.
- Tighten the mounting bolts [B].

**Torque – Camshaft Chain Tensioner Mounting Bolts: 11 N-m (1.1 kg-m, 95 in-lb)**

- Remove the screwdriver or the holder plate [C], and tighten the cap bolt.

**Torque – Camshaft Chain Tensioner Cap Bolt: 5.4 N-m (0.55 kg-m, 48 in-lb)**

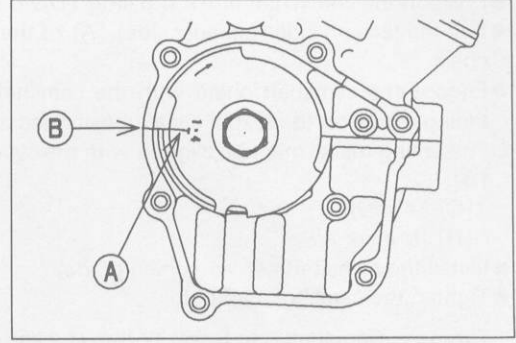
- Turn the crankshaft 2 turns clockwise to allow the tensioner to expand and recheck the camshaft chain timing.



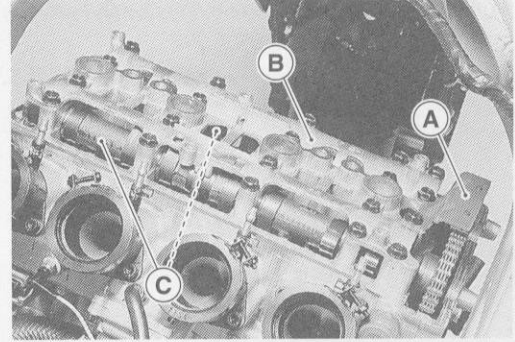
## Camshaft, Camshaft Chain

### Camshaft Removal

- Remove:
  - Cylinder Head Cover (see Cylinder Head Cover Removal)
  - Pickup Coil Cover
- Position the crankshaft at #1, 4 piston TDC.
  - [A] TDC mark for #1, 4 Pistons
  - [B] Timing Mark (crankcase halves mating surface)



- Remove:
  - Camshaft Chain Tensioner (see Camshaft Chain Tensioner Removal)
  - Rubber Gaskets and Cylinder Head Cover Gasket
  - Camshaft Cap Bolts
  - Chain Guide [A]
  - Camshaft Cap [B]
  - Camshafts [C]
- Stuff a clean cloth into the chain tunnel to keep any parts from dropping into the crankcase.

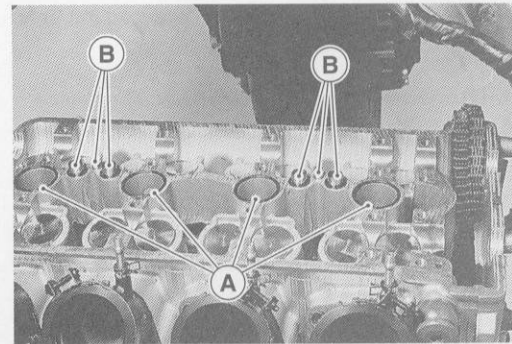


### CAUTION

The crankshaft may be turned while the camshafts are removed. Always pull the chain taut while turning the crankshaft. This avoids kinking the chain on the lower (crankshaft) sprocket. A kinked chain could damage both the chain and the sprocket.

### Camshaft Installation

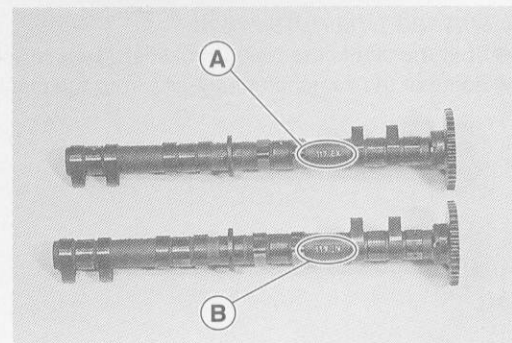
- Be sure to install the following parts.
  - [A] O-rings
  - [B] Pins



- Apply engine oil to all cam parts and journals.
- If a new camshaft is to be used, apply a thin coat of molybdenum disulfide grease to the cam surfaces.

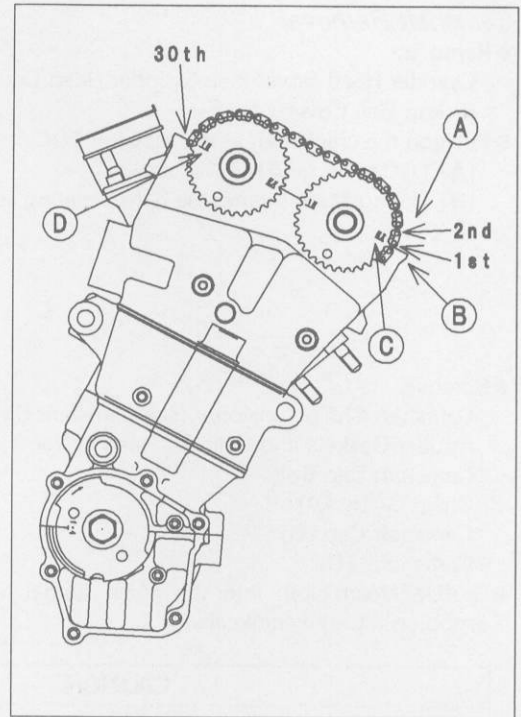
### NOTE

- The exhaust camshaft has a 117 EX mark [A] and the inlet camshaft has a 117 IN mark [B]. Be careful not to mix up these shafts.



## 4-12 ENGINE TOP END

- Position the crankshaft at #1, 4 piston TDC (see Camshaft Removal).
  - Pull the tension side (exhaust side) [A] of the chain taut to install the chain.
  - Engage the camshaft chain with the camshaft sprockets so that the timing marks on the sprockets are positioned as shown.
  - The timing marks must be aligned with the cylinder head upper surface [B].
    - [C] EX mark
    - [D] IN mark
  - Install the camshaft cap and chain guide.
  - Tighten the camshaft cap bolts.
- Torque – Camshaft Cap Bolts: 12 N-m (1.2 kg-m, 104 in-lb)**
- Install the camshaft chain tensioner (see Camshaft Chain Tensioner Installation).
  - Install the cylinder head cover (see Cylinder Head Cover Installation).



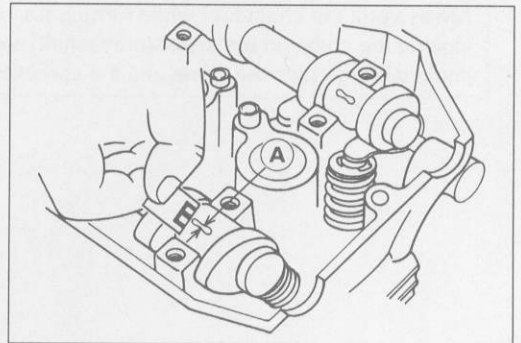
### Camshaft, Camshaft Cap Wear

- Measure each clearance between the camshaft journal and the camshaft cap using plastigage (press gauge) [A].
- Tighten the camshaft cap bolts.

**Torque – Camshaft Cap Bolts: 12 N-m(1.2 kg-m, 104 in-lb)**

### NOTE

- Do not turn the camshaft when the plastigage is between the journal and camshaft cap.



- ★ If any clearance exceeds the service limit, measure the diameter of each camshaft journal with a micrometer.

### Camshaft Journal, Camshaft Cap Clearance

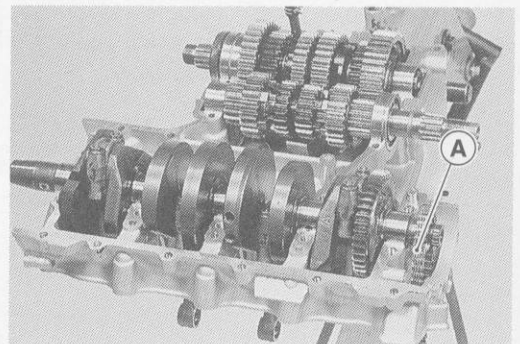
**Standard: 0.038 ~ 0.081 mm**

**Service Limit: 0.17 mm**

- ★ If the camshaft journal diameter is less than the service limit, replace the camshaft with a new one and measure the clearance again.
- ★ If the clearance still remains out of the limit, replace the cylinder head unit.

### Camshaft Chain Removal

- Split the crankcase (see Crankshaft/Transmission chapter).
- Remove the camshaft chain [A] from the crankshaft sprocket.



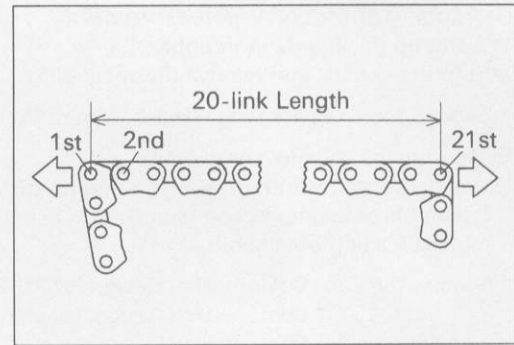
### Camshaft Chain Wear

- Hold the chain taut with a force of about 5 kg in some manner, and measure a 20-link length. Since the chain may wear unevenly, take measurement at several places.
- ★ If any measurement exceeds the service limit, replace the chain.

#### Camshaft Chain 20-link Length

**Standard:** 127.00 ~ 127.36 mm

**Service Limit:** 128.9 mm



## 4-14 ENGINE TOP END

### Cylinder Head

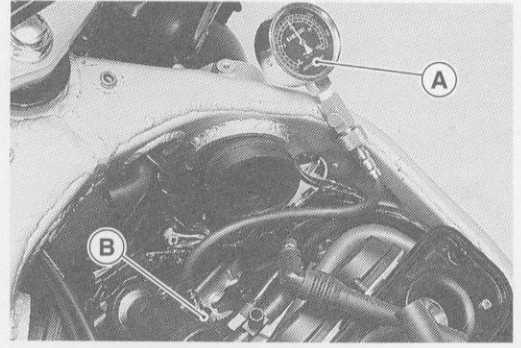
#### Cylinder Compression Measurement

- Warm up the engine thoroughly.
- Stop the engine, and remove the spark plugs.

**Special Tool – Spark Plug Wrench, 16mm: 92110-1146**

- Measure the cylinder compression.
- Using the starter motor, turn the engine over with the throttle fully open until the compression gauge stops rising; the compression is the highest reading obtainable.

**Special Tools – Compression Gauge: 57001-221 [A]  
Compression Gauge Adapter, M10 X 1.0: 57001-1317 [B]**



#### NOTE

- Be sure the battery is fully charged.
- Be sure no air leaks out of the cylinder head gasket.

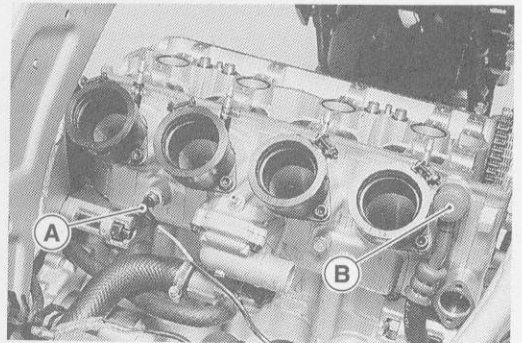
#### Cylinder Compression

**Usable Range : 950 ~ 1450 kPa (9.7 ~ 14.8 kg/cm<sup>2</sup>,  
138 ~ 210 psi) @ 350 r/min (rpm)**

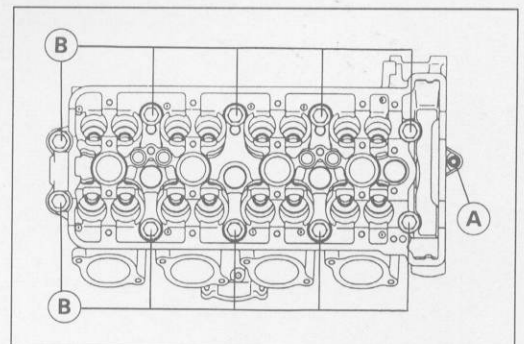
- Repeat the measurement for the other cylinder.
- ★ If cylinder compression is higher than the usable range, check the following:
  - (1) Carbon build-up on the cylinder head combustion chamber and the piston crown.
  - (2) Cylinder head gasket is not the original part.
  - (3) Valve stem oil seals and/or piston rings are damaged.
- ★ If cylinder compression is lower than the usable range, check the following:
  - (1) Condition of the valve seat is wrong.
  - (2) Valve clearance is too small.
  - (3) Piston/cylinder clearance is excessive.
  - (4) Cylinder head is warped and/or head gasket is damaged.
  - (5) Piston ring/piston ring groove clearance is excessive.

#### Cylinder Head Removal

- Drain the coolant (see Cooling System chapter).
- Remove:
  - Cylinder Head Cover (see Cylinder Head Cover Removal)
  - Camshaft Chain Tensioner (see Camshaft Chain Tensioner Removal)
  - Camshafts (see Camshaft Removal)
  - Water Temperature Sensor Lead Connector [A]
  - Oil Hose Banjo Bolt [B]
  - Front Camshaft Chain Guide



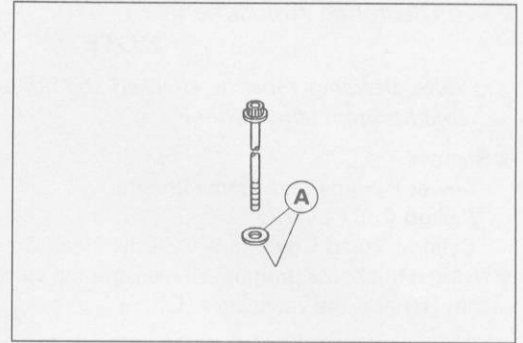
- Remove the 6 mm cylinder head bolt [A], and then the 10 mm cylinder head bolts [B].
- Take off the cylinder head.



**Cylinder Head Installation****NOTE**

○ The camshaft cap is machined with the cylinder head, so if a new cylinder head is installed, use the cap that is supplied with the new head.

- Install a new cylinder head gasket and knock pins.
- Apply engine oil to both sides [A] of the cylinder head bolt washers.



- Tighten the 10 mm cylinder head bolts following the tightening sequence [1 ~ 10].

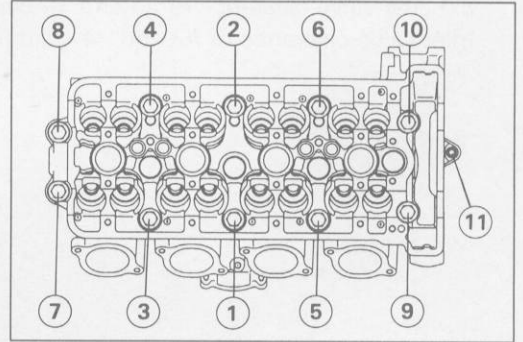
**Torque – Cylinder Head Bolts (10mm):**

<b>First</b>	<b>20 N-m (2.0 kg-m, 14.5 ft-lb)</b>
<b>Final</b>	<b>49 N-m (5.0 kg-m, 36 ft-lb)</b>

- Tighten the 6 mm cylinder head bolt [11].

**Torque – Cylinder Head Bolt (6 mm): 12 N-m (1.2 kg-m, 104 in-lb)**

- Tighten the oil hose banjo bolt.

**Torque – Oil Hose Banjo Bolt: 25 N-m (2.5 kg-m, 18.0 ft-lb)**

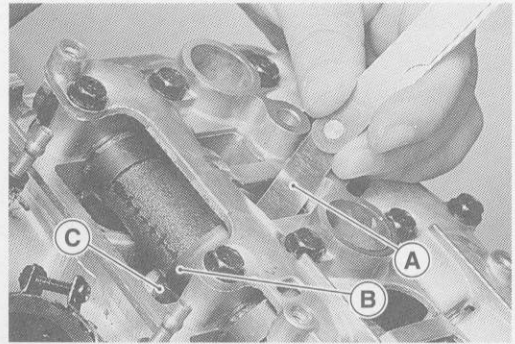
## 4-16 ENGINE TOP END

### Valves

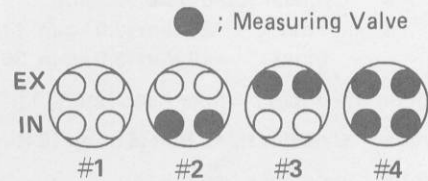
#### Valve Clearance Adjustment

#### NOTE

- Valve clearance must be checked and adjusted when the engine is cold (at room temperature).
- Remove:
  - Lower Fairings (see Frame chapter)
  - Pickup Coil Cover
  - Cylinder Head Cover (see Cylinder Head Cover Removal)
- Using a thickness gauge [A], measure the valve clearance between the cam [B] and the valve lifter [C].
- When positioning #4 piston TDC at the end of the compression stroke:
  - Exhaust valve clearance of #3 and #4 cylinders
  - Inlet valve clearance of #2 and #4 cylinders

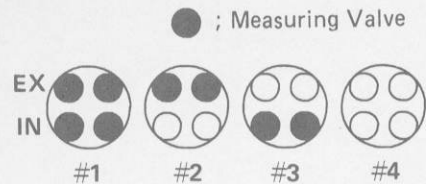


ET13



- When positioning #1 piston TDC at the end of the compression stroke:
  - Exhaust valve clearance of #1 and #2 cylinders
  - Inlet valve clearance of #1 and #3 cylinders

ET14



#### Valve Clearance

Standard: EX: 0.22 ~ 0.31 mm  
IN: 0.11 ~ 0.19 mm

- ★ If the valve clearance is not within the specified range, first record the clearance, and then adjust it.
- To change the valve clearance, remove the camshaft chain tensioner, camshafts and valve lifters. Replace the shim with one of a different thickness.

#### NOTE

- Mark and record the valve lifter and shim locations so they can be reinstalled in their original positions.



- To select a new shim which brings the valve clearance within the specified range, refer to the Valve Clearance Adjustment Charts.
- Apply a thin coat of molybdenum disulfide grease to the valve lifters.
- Install the camshafts. Be sure to time the camshafts properly (see Camshaft Installation).
- Remeasure any valve clearance that was adjusted. Readjust if necessary.

**CAUTION**

**Do not put shim stock under the shim. This may cause the shim to pop out at high rpm, causing extensive engine damage.**

**Do not grind the shim. This may cause it to fracture, causing extensive engine damage.**

VALVE CLEARANCE ADJUSTMENT CHART  
EXHAUST VALVE

PART No. (92180 -)	PRESENT SHIM																				Example	
	1014	1016	1018	1020	1022	1024	1026	1028	1030	1032	1034	1036	1038	1040	1042	1044	1046	1048	1050	1052	1054	
MARK	50	55	60	65	70	75	80	85	90	95	00	05	10	15	20	25	30	35	40	45	50	
THICKNESS (mm)	2.50	2.55	2.60	2.65	2.70	2.75	2.80	2.85	2.90	2.95	3.00	3.05	3.10	3.15	3.20	3.25	3.30	3.35	3.40	3.45	3.50	

VALVE CLEARANCE MEASUREMENT	SPECIFIED CLEARANCE/NO CHANGE REQUIRED																					
	2.55	2.60	2.65	2.70	2.75	2.80	2.85	2.90	2.95	3.00	3.05	3.10	3.15	3.20	3.25	3.30	3.35	3.40	3.45	3.50		
0.00 ~ 0.02						2.50	2.55	2.60	2.65	2.70	2.75	2.80	2.85	2.90	2.95	3.00	3.05	3.10	3.15	3.20	3.25	
0.03 ~ 0.06						2.50	2.55	2.60	2.65	2.70	2.75	2.80	2.85	2.90	2.95	3.00	3.05	3.10	3.15	3.20	3.25	3.30
0.07 ~ 0.11					2.50	2.55	2.60	2.65	2.70	2.75	2.80	2.85	2.90	2.95	3.00	3.05	3.10	3.15	3.20	3.25	3.30	3.35
0.12 ~ 0.16				2.50	2.55	2.60	2.65	2.70	2.75	2.80	2.85	2.90	2.95	3.00	3.05	3.10	3.15	3.20	3.25	3.30	3.35	3.40
0.17 ~ 0.21			2.50	2.55	2.60	2.65	2.70	2.75	2.80	2.85	2.90	2.95	3.00	3.05	3.10	3.15	3.20	3.25	3.30	3.35	3.40	3.45
0.22 ~ 0.31			2.50	2.55	2.60	2.65	2.70	2.75	2.80	2.85	2.90	2.95	3.00	3.05	3.10	3.15	3.20	3.25	3.30	3.35	3.40	3.45
0.32 ~ 0.36	2.55	2.60	2.65	2.70	2.75	2.80	2.85	2.90	2.95	3.00	3.05	3.10	3.15	3.20	3.25	3.30	3.35	3.40	3.45	3.50		
0.37 ~ 0.41	2.60	2.65	2.70	2.75	2.80	2.85	2.90	2.95	3.00	3.05	3.10	3.15	3.20	3.25	3.30	3.35	3.40	3.45	3.50			
0.42 ~ 0.46	2.65	2.70	2.75	2.80	2.85	2.90	2.95	3.00	3.05	3.10	3.15	3.20	3.25	3.30	3.35	3.40	3.45	3.50				
0.47 ~ 0.51	2.70	2.75	2.80	2.85	2.90	2.95	3.00	3.05	3.10	3.15	3.20	3.25	3.30	3.35	3.40	3.45	3.50					
0.52 ~ 0.56	2.75	2.80	2.85	2.90	2.95	3.00	3.05	3.10	3.15	3.20	3.25	3.30	3.35	3.40	3.45	3.50						
0.57 ~ 0.61	2.80	2.85	2.90	2.95	3.00	3.05	3.10	3.15	3.20	3.25	3.30	3.35	3.40	3.45	3.50							
0.62 ~ 0.66	2.85	2.90	2.95	3.00	3.05	3.10	3.15	3.20	3.25	3.30	3.35	3.40	3.45	3.50								
0.67 ~ 0.71	2.90	2.95	3.00	3.05	3.10	3.15	3.20	3.25	3.30	3.35	3.40	3.45	3.50									
0.72 ~ 0.76	2.95	3.00	3.05	3.10	3.15	3.20	3.25	3.30	3.35	3.40	3.45	3.50										
0.77 ~ 0.81	3.00	3.05	3.10	3.15	3.20	3.25	3.30	3.35	3.40	3.45	3.50											
0.82 ~ 0.86	3.05	3.10	3.15	3.20	3.25	3.30	3.35	3.40	3.45	3.50												
0.87 ~ 0.91	3.10	3.15	3.20	3.25	3.30	3.35	3.40	3.45	3.50													
0.92 ~ 0.96	3.15	3.20	3.25	3.30	3.35	3.40	3.45	3.50														
0.97 ~ 1.01	3.20	3.25	3.30	3.35	3.40	3.45	3.50															
1.02 ~ 1.06	3.25	3.30	3.35	3.40	3.45	3.50																
1.07 ~ 1.11	3.30	3.35	3.40	3.45	3.50																	
1.12 ~ 1.16	3.35	3.40	3.45	3.50																		
1.17 ~ 1.21	3.40	3.45	3.50																			
1.22 ~ 1.26	3.45	3.50																				
1.27 ~ 1.31	3.50																					

INSTALL THE SHIM OF THIS THICKNESS (mm)

1. Measure the clearance (when engine is cold).
2. Check present shim size.
3. Match clearance in vertical column with present shim size in horizontal column.
4. Install the shim specified where the lines intersect. This shim will give the proper clearance.
  - Example:** Present shim is **3.10 mm**.  
Measured clearance is **0.40 mm**.  
Replace **3.10 mm** shim with **3.20 mm** shim.
5. Remeasure the valve clearance and readjust if necessary.

NOTE

○ If there is no clearance, select a shim which is several sizes smaller and then measure the clearance.

## VALVE CLEARANCE ADJUSTMENT CHART INLET VALVE

PART No. (92180 -)	PRESENT SHIM																Example				
	1014	1016	1018	1020	1022	1024	1026	1028	1030	1032	1034	1036	1038	1040	1042	1044	1046	1048	1050	1052	1054
MARK	50	55	60	65	70	75	80	85	90	95	00	05	10	15	20	25	30	35	40	45	50
THICKNESS (mm)	2.50	2.55	2.60	2.65	2.70	2.75	2.80	2.85	2.90	2.95	3.00	3.05	3.10	3.15	3.20	3.25	3.30	3.35	3.40	3.45	3.50

VALVE CLEARANCE MEASUREMENT	SPECIFIED CLEARANCE/NO CHANGE REQUIRED																				
	2.50	2.55	2.60	2.65	2.70	2.75	2.80	2.85	2.90	2.95	3.00	3.05	3.10	3.15	3.20	3.25	3.30	3.35	3.40	3.45	3.50
0.00 ~ 0.05																					
0.06 ~ 0.10																					
0.11 ~ 0.19																					
0.20 ~ 0.24	2.55	2.60	2.65	2.70	2.75	2.80	2.85	2.90	2.95	3.00	3.05	3.10	3.15	3.20	3.25	3.30	3.35	3.40	3.45	3.50	
0.25 ~ 0.29	2.60	2.65	2.70	2.75	2.80	2.85	2.90	2.95	3.00	3.05	3.10	3.15	3.20	3.25	3.30	3.35	3.40	3.45	3.50		
0.30 ~ 0.34	2.65	2.70	2.75	2.80	2.85	2.90	2.95	3.00	3.05	3.10	3.15	3.20	3.25	3.30	3.35	3.40	3.45	3.50			
0.35 ~ 0.39	2.70	2.75	2.80	2.85	2.90	2.95	3.00	3.05	3.10	3.15	3.20	3.25	3.30	3.35	3.40	3.45	3.50				
0.40 ~ 0.44	2.75	2.80	2.85	2.90	2.95	3.00	3.05	3.10	3.15	3.20	3.25	3.30	3.35	3.40	3.45	3.50					
0.45 ~ 0.49	2.80	2.85	2.90	2.95	3.00	3.05	3.10	3.15	3.20	3.25	3.30	3.35	3.40	3.45	3.50						
0.50 ~ 0.54	2.85	2.90	2.95	3.00	3.05	3.10	3.15	3.20	3.25	3.30	3.35	3.40	3.45	3.50							
0.55 ~ 0.59	2.90	2.95	3.00	3.05	3.10	3.15	3.20	3.25	3.30	3.35	3.40	3.45	3.50								
0.60 ~ 0.64	2.95	3.00	3.05	3.10	3.15	3.20	3.25	3.30	3.35	3.40	3.45	3.50									
0.65 ~ 0.69	3.00	3.05	3.10	3.15	3.20	3.25	3.30	3.35	3.40	3.45	3.50										
0.70 ~ 0.74	3.05	3.10	3.15	3.20	3.25	3.30	3.35	3.40	3.45	3.50											
0.75 ~ 0.79	3.10	3.15	3.20	3.25	3.30	3.35	3.40	3.45	3.50												
0.80 ~ 0.84	3.15	3.20	3.25	3.30	3.35	3.40	3.45	3.50													
0.85 ~ 0.89	3.20	3.25	3.30	3.35	3.40	3.45	3.50														
0.90 ~ 0.94	3.25	3.30	3.35	3.40	3.45	3.50															
0.95 ~ 0.99	3.30	3.35	3.40	3.45	3.50																
1.00 ~ 1.04	3.35	3.40	3.45	3.50																	
1.05 ~ 1.09	3.40	3.45	3.50																		
1.10 ~ 1.14	3.45	3.50																			
1.15 ~ 1.19	3.50																				

INSTALL THE SHIM OF THIS THICKNESS (mm)

1. Measure the clearance (when engine is cold).
2. Check present shim size.
3. Match clearance in vertical column with present shim size in horizontal column.
4. Install the shim specified where the lines intersect. This shim will give the proper clearance.
 

**Example:** Present shim is **3.05 mm**  
 Measured clearance is **0.35 mm**  
 Replace **3.05 mm** shim with **3.25 mm** shim.
5. Remeasure the valve clearance and readjust if necessary.

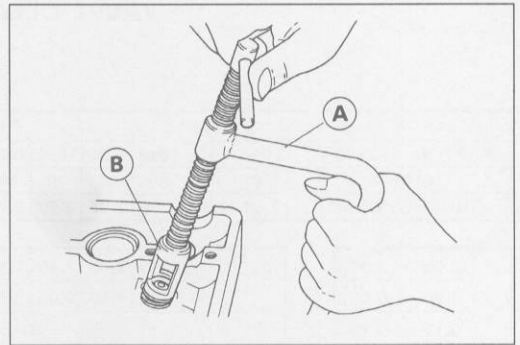
**NOTE**

*○ If there is no clearance, select a shim which is several sizes smaller and then measure the clearance.*

**Valve Removal**

- Remove the cylinder head (see Cylinder Head Removal).
- Remove the valve lifter and shim.
- Mark and record the valve lifter and shim locations so they can be installed in their original positions.
- Using the valve spring compressor assembly, remove the valve.

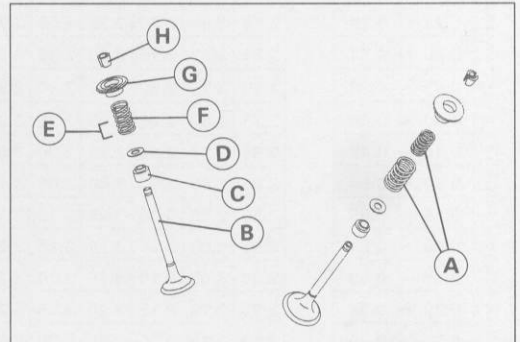
**Special Tools – Valve Spring Compressor Assembly: 57001-241 [A]  
 (Exhaust) Adapter,  $\Phi$ 20: 57001-1154 [B]  
 (Inlet) Adapter,  $\Phi$ 22: 57001-1202**



**Valve Installation**

- Replace the oil seal with a new one.
- Apply a thin coat of molybdenum disulfide grease to the valve stem before valve installation.
- Install the springs so that the closed coil end faces downwards.
- Dual springs [A] are used for the inlet valve.
 

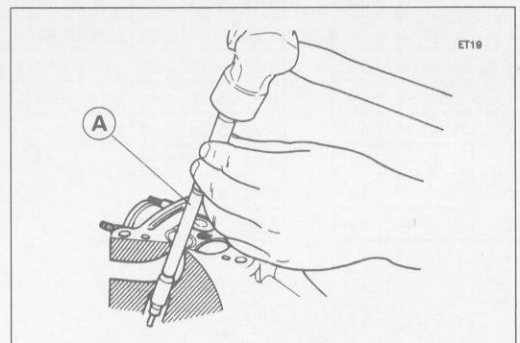
[B] Valve Stem	[F] Exhaust Valve Spring
[C] Oil Seal	[G] Retainer
[D] Spring Seat	[H] Split Keepers
[E] Closed Coil End	



**Valve Guide Removal**

- Remove:
  - Valve (see Valve Removal)
  - Oil Seal
  - Spring Seat
- Heat the area around the valve guide to 120 ~ 150°C (248 ~ 302 °F), and hammer lightly on the valve guide arbor [A] to remove the guide from the top of the head.

**Special Tool – Valve Guide Arbor,  $\Phi$ 4: 57001-1273**



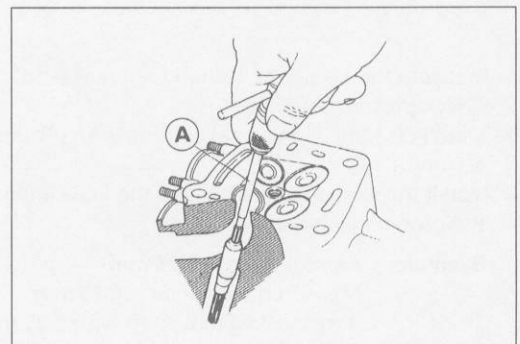
**Valve Guide Installation**

- Apply oil to the valve guide outer surface before installation.
- Heat the area around the valve guide hole to about 120 ~ 150 °C (248 ~ 302 °F).
- Drive the valve guide in from the top of the head using the valve guide arbor. The flange stops the guide from going in too far.

**Special Tool – Valve Guide Arbor,  $\Phi$ 4: 57001-1273**

- Ream the valve guide with valve guide reamer [A] even if the old guide is reused.

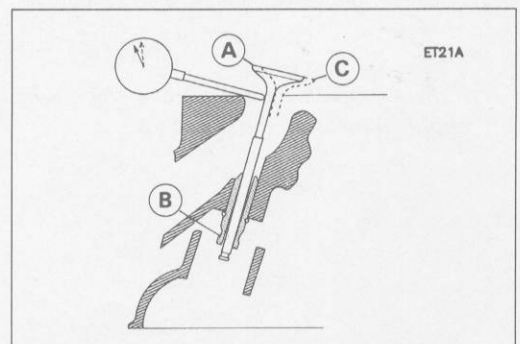
**Special Tool – Valve Guide Reamer,  $\Phi$ 4: 57001-1274**



**Valve-to-Guide Clearance Measurement (Wobble Method)**

If a small bore gauge is not available, inspect the valve guide wear by measuring the valve to valve guide clearance with the wobble method as indicated below.

- Insert a new valve [A] into the guide [B] and set a dial gauge against the stem perpendicular to it as close as possible to the cylinder head mating surface.
- Move the stem back and forth [C] to measure valve/valve guide clearance.
- Repeat the measurement in a direction at a right angle to the first.
- ★ If the reading exceeds the service limit, replace the guide.



## NOTE

○ The reading is not actual valve/valve guide clearance because the measuring point is above the guide.

## Valve/Valve Guide Clearance (Wobble Method)

	Standard	Service Limit
Exhaust	0.10 ~ 0.18 mm	0.35 mm
Inlet	0.03 ~ 0.12 mm	0.29 mm

## Valve Seat Inspection

- Remove the valve (see Valve Removal).
- Check the valve seating surface [A] between the valve [B] and valve seat [C].
- Measure the outside diameter [D] of the seating pattern on the valve seat.
- ★ If the outside diameter is too large or too small, repair the seat (see Seat Repair).

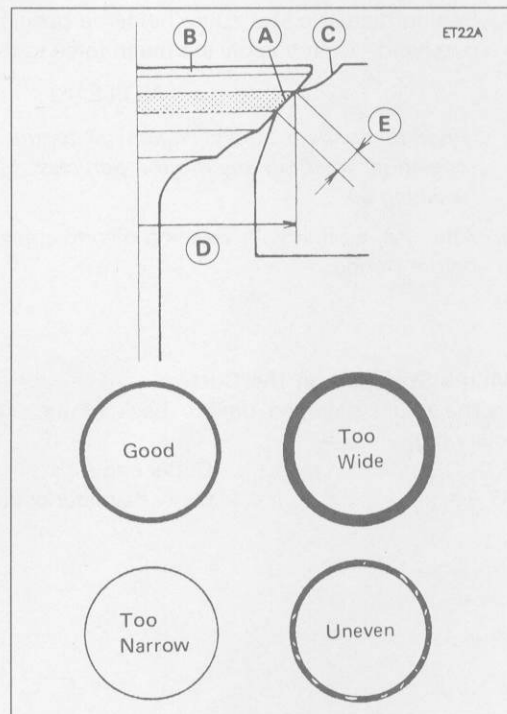
## Valve Seating Surface Outside Diameter

Standard:	Exhaust	22.1 ~ 22.3 mm
	Inlet	26.1 ~ 26.3 mm

- Measure the seat width [E] of the portion where there is no build-up carbon (white portion) of the valve seat with a vernier caliper.
- ★ If the width is too wide, too narrow or uneven, repair the seat (see Valve Seat Repair).

## Valve Seating Surface Width

Standard:	Exhaust, Inlet	0.5 ~ 1.0 mm
-----------	----------------	--------------



## Valve Seat Repair

- Repair the valve seat with the valve seat cutters [A].

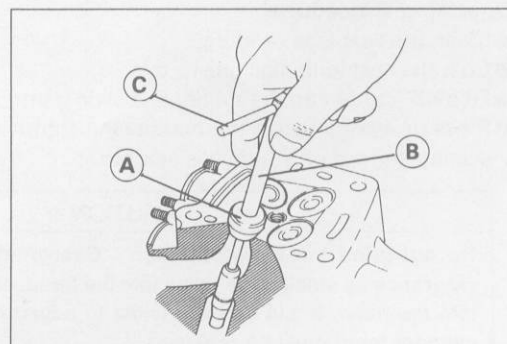
**Special Tools** – Valve Seat Cutter Holder,  $\Phi 4$ : 57001-1275 [B]  
Valve Seat Cutter Holder Bar: 57001-1128 [C]

## [For Exhaust Valve Seat]

Valve Seat Cutter, 45° –  $\Phi 24.5$ : 57001-1113  
Valve Seat Cutter, 32° –  $\Phi 25$ : 57001-1118  
Valve Seat Cutter, 60° –  $\Phi 25$ : 57001-1328

## [For Inlet Valve Seat]

Valve Seat Cutter, 45° –  $\Phi 27.5$ : 57001-1114  
Valve Seat Cutter, 32° –  $\Phi 28$ : 57001-1119  
Valve Seat Cutter, 60° –  $\Phi 27$ : 57001-1409



- ★ If the manufacturer's instructions are not available, use the following procedure.

## 4-22 ENGINE TOP END

### Seat Cutter Operation Care:

1. This valve seat cutter is developed to grind the valve for repair. Therefore the cutter must not be used for other purposes than seat repair.
2. Do not drop or shock the valve seat cutter, or the diamond particles may fall off.
3. Do not fail to apply engine oil to the valve seat cutter before grinding the seat surface. Also wash off ground particles sticking to the cutter with washing oil.

### NOTE

○ Do not use a wire brush to remove the metal particles from the cutter. It will take off the diamond particles.

4. Setting the valve seat cutter holder in position, operate the cutter in one hand. Do not apply too much force to the diamond portion.

### NOTE

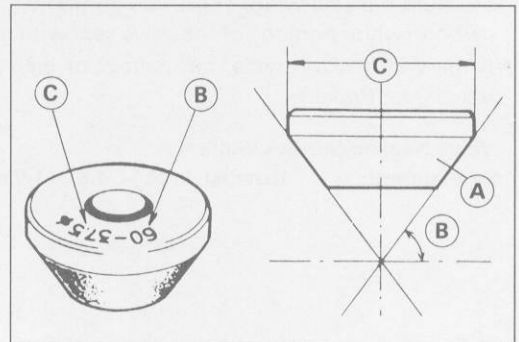
○ Prior to grinding, apply engine oil to the cutter and during the operation, wash off any ground particles sticking to the cutter with washing oil.

5. After use, wash it with washing oil and apply thin layer of engine oil before storing.

### Marks Stamped on the Cutter:

The marks stamped on the back of the cutter [A] represent the following.

- 60° .....Cutter angle [B]  
37.5φ .....Outer diameter of cutter [C]



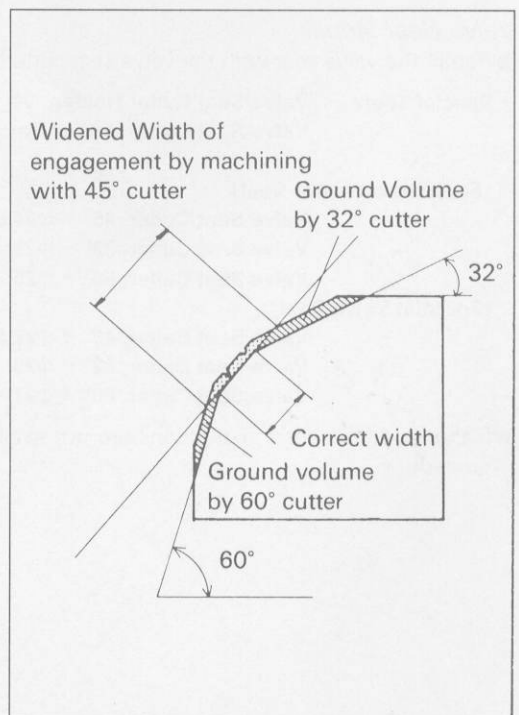
### Operating Procedures:

- Clean the seat area carefully.
- Coat the seat with machinist's dye.
- Fit a 45° cutter into the holder and slide it into the valve guide.
- Press down lightly on the handle and turn it right or left. Grind the seating surface only until it is smooth.

### CAUTION

**Do not grind the seat too much. Overgrinding will reduce valve clearance by sinking the valve into the head. If the valve sinks too far into the head, it will be impossible to adjust the clearance, and the cylinder head must be replaced.**

- Measure the outside diameter of the seating surface with a vernier caliper.
- ★ If the outside diameter of the seating surface is too small, repeat the 45° grind until the diameter is within the specified range.
- ★ If the outside diameter of the seating surface is too large, make the 32° grind described below.
- ★ If the outside diameter of the seating surface is within the specified range, measure the seat width as described below.
- Grind the seat at a 32° angle until the seat O.D. is within the specified range.



- To make the 32° grind, fit a 32° cutter into the holder, and slide it into the valve guide.
- Turn the holder one turn at a time while pressing down very lightly. Check the seat after each turn.

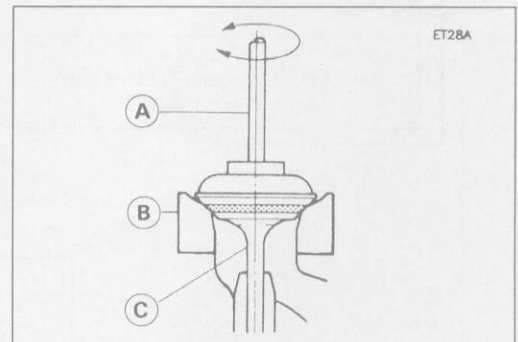
<b>CAUTION</b>
----------------

<p><b>The 32° cutter removes material very quickly. Check the seat outside diameter frequently to prevent overgrinding.</b></p>
---

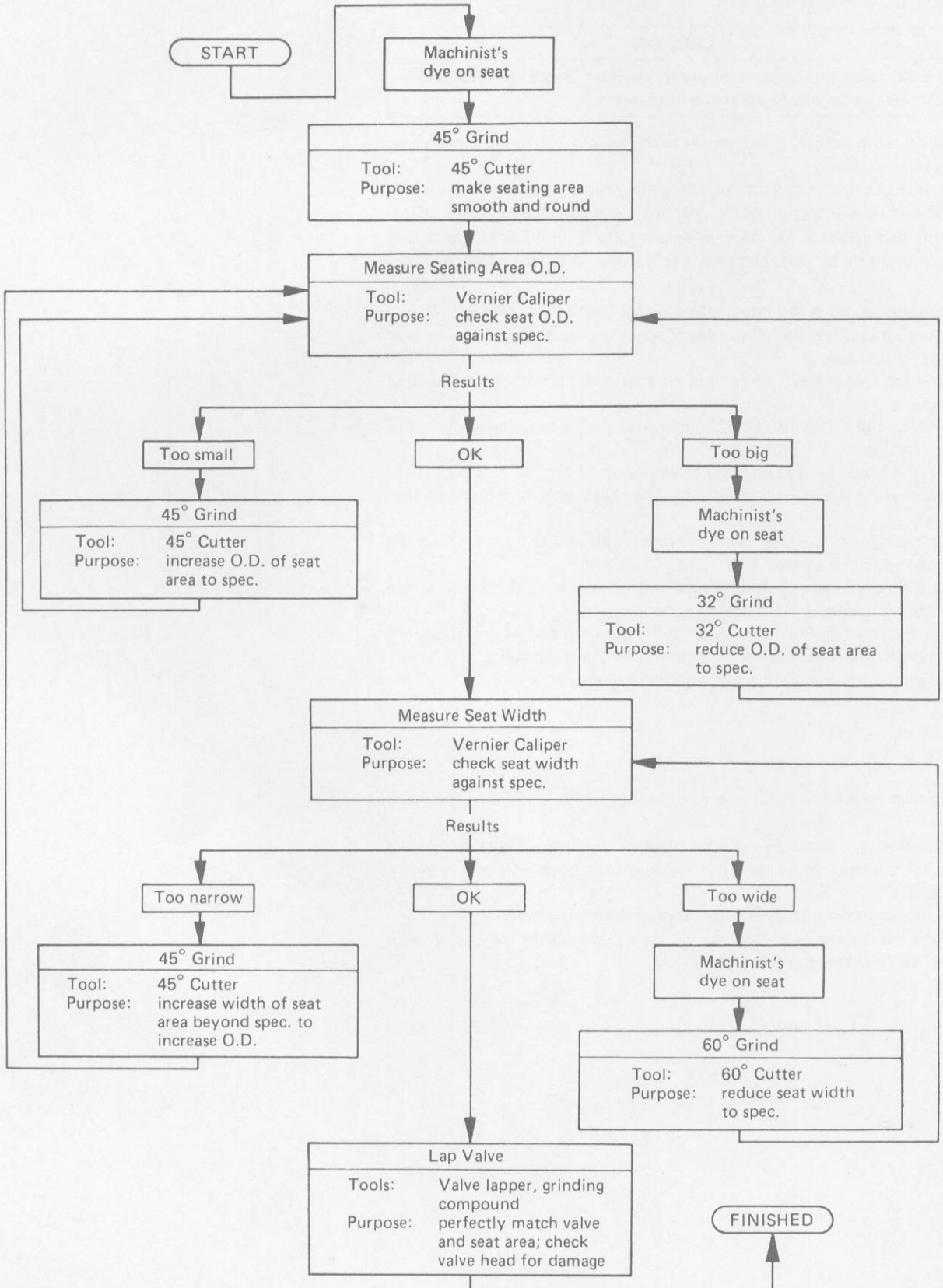
- After making the 32° grind, return to the seat O.D. measurement step above.
- To measure the seat width, use a vernier caliper to measure the width of the 45° angle portion of the seat at several places around the seat.
- ★ If the seat width is too narrow, repeat the 45° grind until the seat is slightly too wide, and then return to the seat O.D. measurement step above.
- ★ If the seat width is too wide, make the 60° grind described below.
- ★ If the seat width is within the specified range, lap the valve to the seat as described below.
- Grind the seat at a 60° angle until the seat width is within the specified range.
- To make the 60° grind, fit 60° cutter into the holder, and slide it into the valve guide.
- Turn the holder, while pressing down lightly.
- After making the 60° grind, return to the seat width measurement step above.
- Lap the valve to the seat, once the seat width and O.D. are within the ranges specified above.
- Put a little coarse grinding compound on the face of the valve in a number of places around the valve head.
- Spin the valve against the seat until the grinding compound produces a smooth, matched surface on both the seat and the valve.
- Repeat the process with a fine grinding compound.

[A] Lapper  
 [B] Valve Seat  
 [C] Valve

- The seating area should be marked about in the middle of the valve face.
- ★ If the seat area is not in the right place on the valve, check to be sure the valve is the correct part. If it is, it may have been refaced too much; replace it.
- Be sure to remove all grinding compound before assembly.
- When the engine is assembled, be sure to adjust the valve clearance (see Valve Clearance Adjustment).



Valve Seat Repair

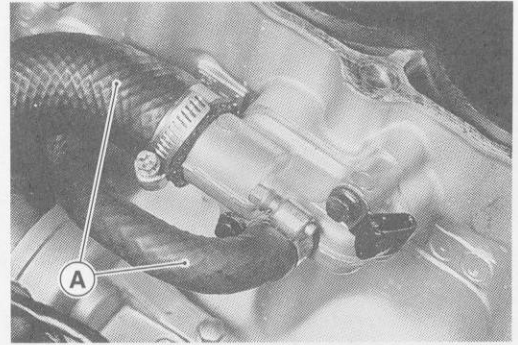




## Cylinder, Pistons

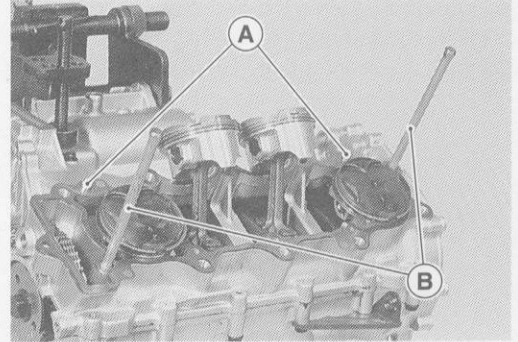
### Cylinder Removal

- Remove:
  - Engine (see Engine Removal/Installation chapter)
  - Cylinder Head (see Cylinder Head Removal)
  - Water Hoses [A]
  - Rear Camshaft chain Guide and Bolt
- Remove the cylinder.



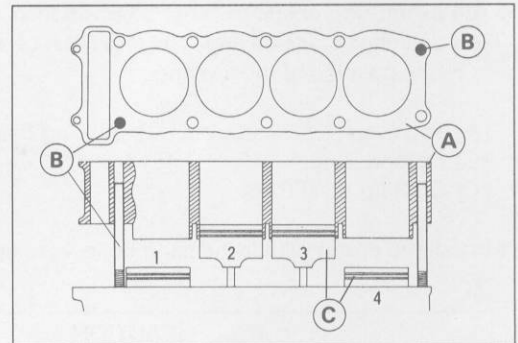
### Cylinder Installation

- Install the pins [A] and new cylinder gasket.
- Apply engine oil to the cylinder bore.
- Prepare two auxiliary head bolts with their head cut.
- Install the two bolts [B] diagonally in the crankcase.



- Position the crankshaft at #2, #3 pistons TDC.
- Install the cylinder block [A].
  - Auxiliary Head Bolts [B]
  - Pistons [C]
- Insert the piston rings with your thumbs.
- Install the rear camshaft chain guide and O-ring, and tighten the bolt.

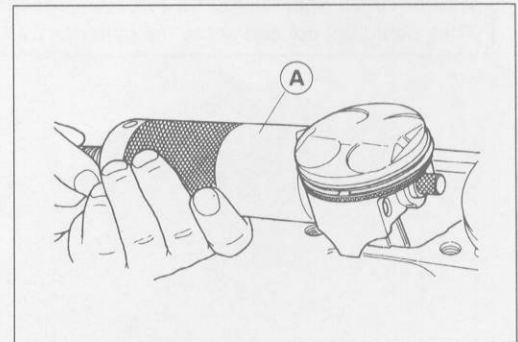
**Torque – Rear camshaft Chain Guide Bolt: 25 N-m (2.5 kg-m, 18.0 ft-lb)**



### Piston Removal

- Remove the cylinder (see Cylinder Removal).
- Place a clean cloth under the pistons and remove the piston pin snap ring from the outside of each piston.
- Remove the piston pins.

**Special Tool – Piston Pin Puller Assembly: 57001-910 [A]**



- Carefully spread the ring opening with your thumbs and then push up on the opposite side of the ring [A] to remove it.
- Remove the 3-piece oil ring with your thumbs in the same manner.

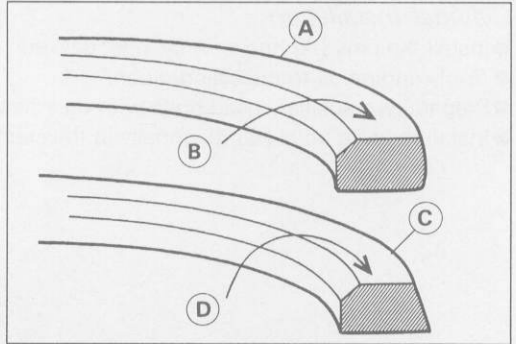
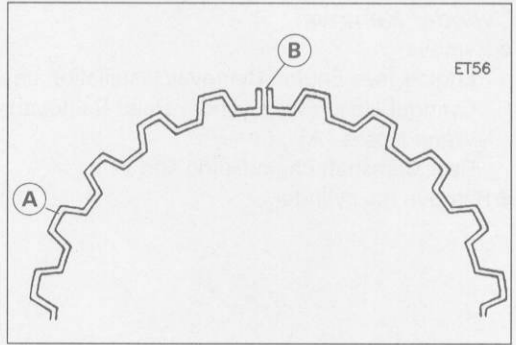


*Piston Installation*

**NOTE**

○ The oil ring rails have no "top" or "bottom".

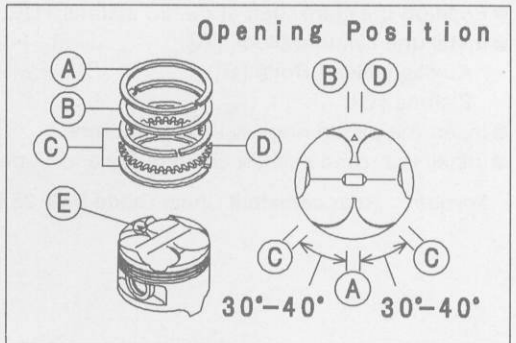
- Install the oil ring expander [A] in the bottom piston ring groove so the ends [B] butt together.
- Install the oil ring steel rails, one above the expander and one below it.
- Spread the rail with your thumbs, but only enough to fit the rail over the piston.
- Release the rail into the bottom piston ring groove.
- Do not mix up the top and second ring.
- Install the top ring [A] so that the "R" mark [B] faces up.
- Install the second ring [C] so that the "RN" mark [D] faces up.



- The piston ring openings must be positioned as shown in the figure. The openings of the oil ring steel rails must be about 30 – 40° of angle from the opening of the top ring.

- |                          |                       |
|--------------------------|-----------------------|
| [A] Top Ring             | [D] Oil Ring Expander |
| [B] Second Ring          | [E] Hollow            |
| [C] Oil Ring Steel Rails |                       |

- Install the piston with its marking hollow facing forward.



**CAUTION**

**Do not reuse snap rings, as removal weakens and deforms them. They could fall out and score the cylinder wall.**

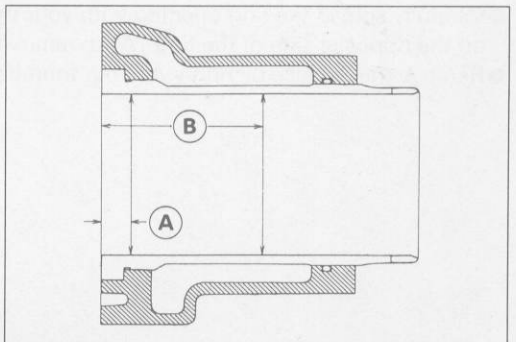
*Cylinder Wear*

- Since there is a difference in cylinder wear in different directions, take a side-to-side and a front-to-back measurement at each of the two locations (total of four measurements) shown in the figure.
- ★ If any of the cylinder inside diameter measurements exceeds the service limit, replace the cylinder.

- [A] 10 mm
- [B] 60 mm

**Cylinder Inside Diameter**

- Standard:** 66.000 ~ 66.012 mm
- Service Limit:** 66.10 mm



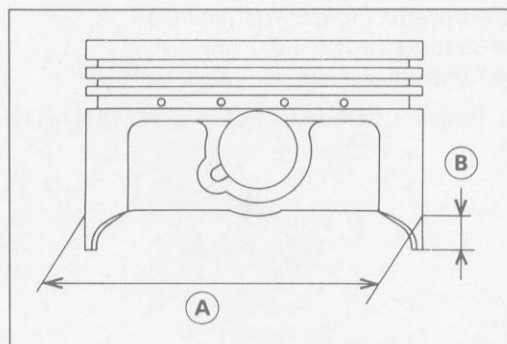
### Piston Wear

- Measure the outside diameter [A] of each piston 5 mm [B] up from the bottom of the piston at a right angle to the direction of the piston pin.

★ If the measurement is under service limit, replace the piston.

#### Piston Diameter

<b>Standard:</b>	<b>65.940 ~ 65.960 mm</b>
<b>Service Limit:</b>	<b>65.79 mm</b>

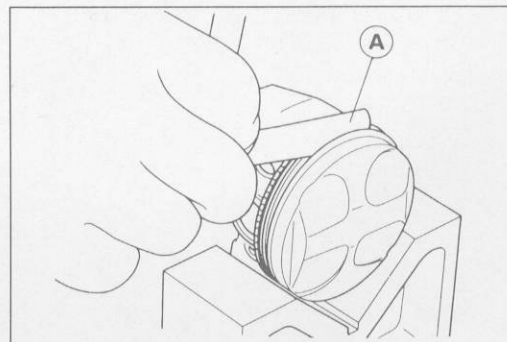


### Piston Ring, Piston Ring Groove Wear

- Check for uneven groove wear by inspecting the ring seating.
- ★ The rings should fit perfectly parallel to groove surfaces. If not, the piston must be replaced.
- With the piston rings in their grooves, make several measurements with a thickness gauge [A] to determine piston ring/groove clearance.

#### Piston Ring/Groove Clearance

	<b>Standard</b>	<b>Service Limit</b>
<b>Top</b>	<b>0.05 ~ 0.09 mm</b>	<b>0.19 mm</b>
<b>Second</b>	<b>0.03 ~ 0.07 mm</b>	<b>0.17 mm</b>

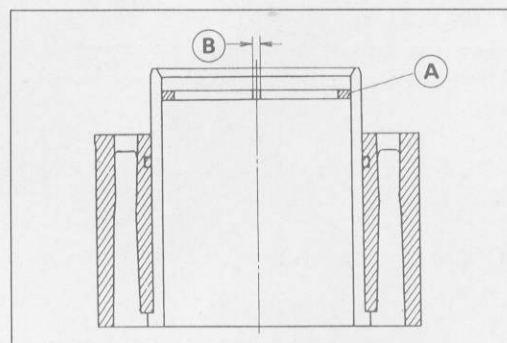


### Piston Ring End Gap

- Place the piston ring [A] inside the cylinder, using the piston to locate the ring squarely in place. Set it close to the bottom of the cylinder, where cylinder wear is low.
- Measure the gap [B] between the ends of the ring with a thickness gauge.

#### Piston Ring End Gap

	<b>Standard</b>	<b>Service Limit</b>
<b>Top</b>	<b>0.15 ~ 0.30 mm</b>	<b>0.6 mm</b>
<b>Second</b>	<b>0.35 ~ 0.50 mm</b>	<b>0.8 mm</b>

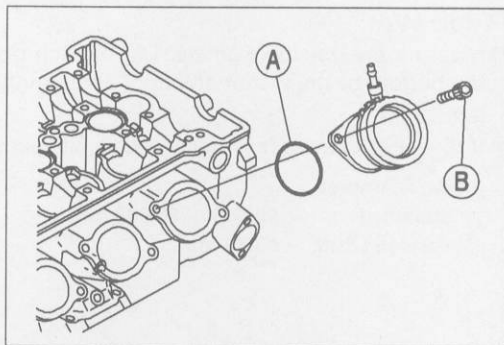


**Carburetor Holder**

*Carburetor Holder Installation*

- Be sure to install the O-rings [A].
- Tighten the carburetor holder bolts [B].

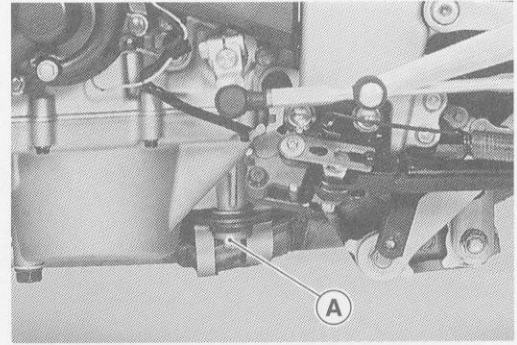
**Torque – Carburetor Holder Bolts: 12 N-m (1.2 kg-m, 104 in-lb)**



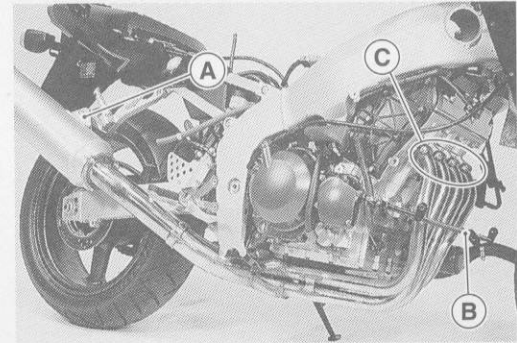
## Muffler

### Muffler Removal

- Drain the coolant (see Cooling System chapter).
- Remove:
  - Radiator (see Cooling System chapter)
  - Muffler Clamp Bolt [A]



- Remove:
  - Muffler Body Clamp Nut [A], Washer and Bolt
  - Radiator Mounting Bracket [B]
  - Exhaust Pipe Holder Nuts [C]
  - Muffler Assembly

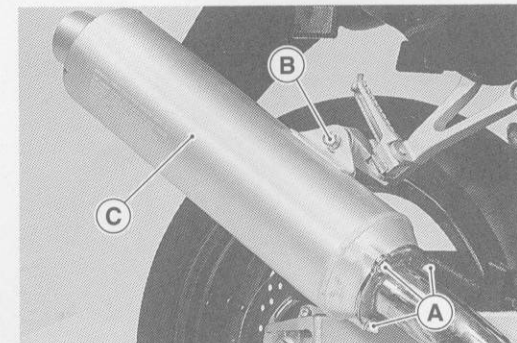


### Muffler Installation

- Replace the exhaust pipe gaskets with new ones.
- Tighten:
  - Torque – Exhaust Pipe Clamp Bolt: 34 N-m (3.5 kg-m, 25 ft-lb)**

### Muffler Body Removal

- Remove:
  - Muffler Body and Exhaust Pipe Connecting Nuts [A]
  - Muffler Body Clamp Bolt, Nut [B] and Washer
- Pull the muffler body [C] backward.



### Muffler Body Installation

- Tighten:
  - Torque – Muffler Body and Exhaust Pipe Connecting Nuts:  
34 N-m (3.5 kg-m, 25 ft-lb)**
- Replace the muffler body gasket with a new one.

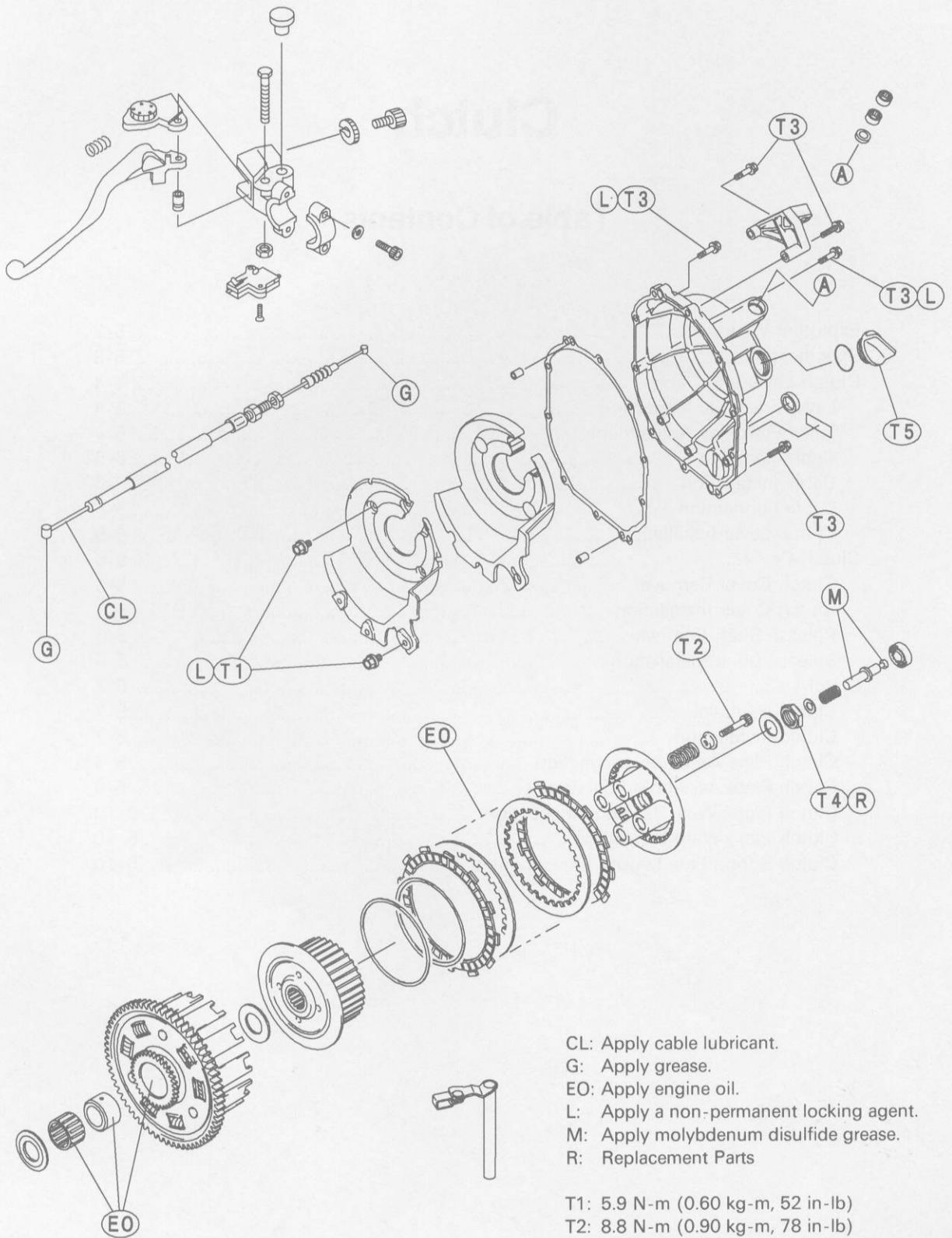
# Clutch

## Table of Contents

Exploded View .....	5-2
Specifications .....	5-3
Clutch Lever and Cable.....	5-4
Lever Free Play Inspection .....	5-4
Lever Free Play Adjustment.....	5-4
Cable Removal .....	5-5
Cable Installation .....	5-5
Cable Lubrication.....	5-5
Clutch Lever Installation .....	5-5
Clutch Cover.....	5-6
Clutch Cover Removal.....	5-6
Clutch Cover Installation .....	5-6
Release Shaft Removal.....	5-6
Release Shaft Installation .....	5-6
Clutch .....	5-7
Clutch Removal.....	5-7
Clutch Installation .....	5-7
Clutch Plate Assembly Inspection .....	5-9
Clutch Plate Assembly Adjustment .....	5-9
Clutch Plate, Wear, Damage Inspection .....	5-10
Clutch Plate Warp Inspection.....	5-10
Clutch Spring Free Length Measurement.....	5-10

## 5-2 CLUTCH

### Exploded View



CL: Apply cable lubricant.

G: Apply grease.

EO: Apply engine oil.

L: Apply a non-permanent locking agent.

M: Apply molybdenum disulfide grease.

R: Replacement Parts

T1: 5.9 N-m (0.60 kg-m, 52 in-lb)

T2: 8.8 N-m (0.90 kg-m, 78 in-lb)

T3: 12 N-m (1.2 kg-m, 104 in-lb)

T4: 130 N-m (13.5 kg-m, 98 in-lb)

T5: 1.5 N-m (0.15 kg-m, 13 in-lb) or  
Hand-Tight

## Specifications

Item	Standard	Service Limit
<b>Clutch Lever Position</b>	5-way adjustable (to suit rider)	- - -
<b>Clutch Lever Free Play</b>	2 ~ 3 mm	- - -
<b>Clutch:</b>		
Friction plate thickness	2.72 ~ 2.88 mm	2.2 mm
Friction and steel plate warp	0.2 mm or less	0.3 mm
Clutch spring free length	82.1 mm	78.0 mm
Clutch plate assembly length	43.3 ~ 43.9 mm	- - -

**Special Tools – Clutch Holder: 57001-1243**  
**Pressure Cable Luber: k56019-021**

**Sealant – Kawasaki Bond (Silicone Sealant): 56019-120**



## 5-4 CLUTCH

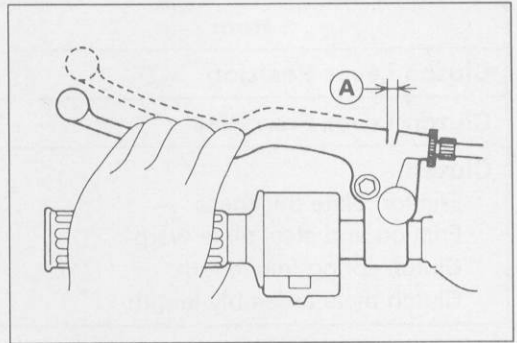
### Clutch Lever and Cable

#### Lever Free Play Inspection

- Pull the clutch lever just enough to take up the free play [A].
- Measure the gap between the lever and the lever holder.
- ★ If the gap is too wide, the clutch may not release fully. If the gap is too narrow, the clutch may not engage fully. In either case, adjust it.

#### Clutch Lever Free Play

Standard: 2 ~ 3 mm



#### Lever Free Play Adjustment

##### ▲WARNING

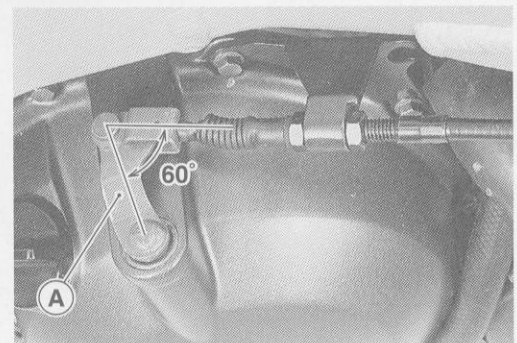
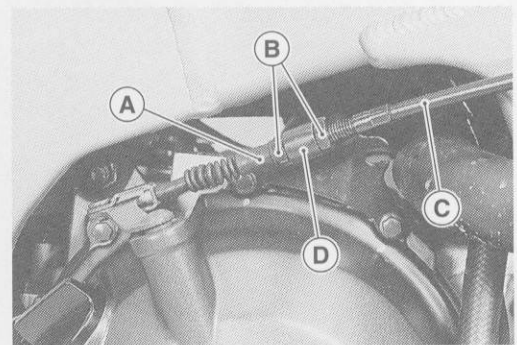
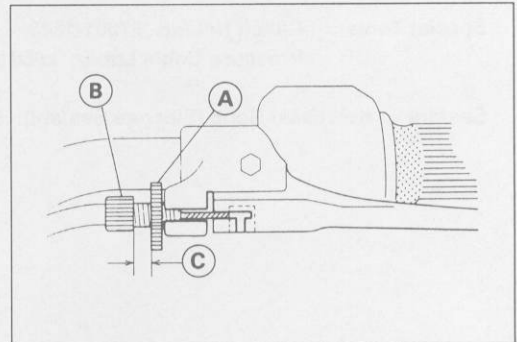
To avoid a serious burn, never touch the engine or exhaust pipe during clutch adjustment.

- Loosen the knurled locknut [A] at the clutch lever.
- Turn the adjuster [B] so that 5 ~ 6 mm [C] of threads are visible.
- Slide the dust cover [A] at the clutch cable lower end out of place.
- Loosen both adjusting nuts [B] at the clutch cover as far as they will go.
- Pull the clutch outer cable [C] tight and tighten the adjusting nuts against the bracket [D].
- Slip the rubber dust cover back onto place.
- Turn the adjuster at the clutch lever until the free play is correct.
- Tighten the knurled locknut at the clutch lever.
- Pull the clutch lever until it becomes hard.
- At this time, the release lever [A] should have the proper angle shown.
- ★ If the angle is wrong, check the clutch and release parts for wear.

##### ▲WARNING

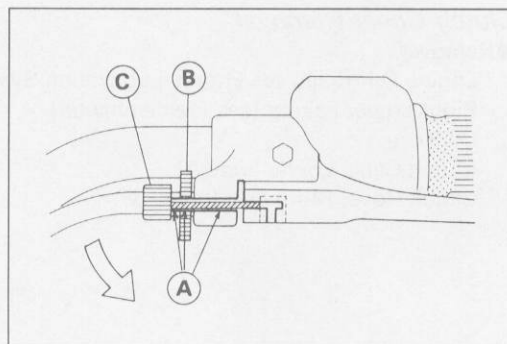
Be sure that the outer cable end at the clutch lever is fully seated in the adjuster at the clutch lever, or it could slip into place later, creating enough cable play to prevent clutch disengagement.

- After the adjustment, start the engine and check that the clutch does not slip and that it releases properly.



### Cable Removal

- Remove the right lower fairing (see frame chapter).
- Slide the dust cover at the clutch cable lower end out of place.
- Loosen the nuts, and slide the lower end of the clutch cable to give the cable plenty of play.
- Push the lever forward and turn the adjuster to align the Number 5 with the triangular mark on the lever holder.
- Loosen the knurled locknut at the clutch lever, and screw in the adjuster.
- Line up the slots [A] in the clutch lever, knurled locknut [B], and adjuster [C], and then free the cable from the lever.
- Free the clutch inner cable tip from the clutch release lever.
- Push the release lever toward the front of the motorcycle and tape the release lever to the clutch cover to prevent the release shaft from falling out.
- Pull the clutch cable out of the frame.



### Cable Installation

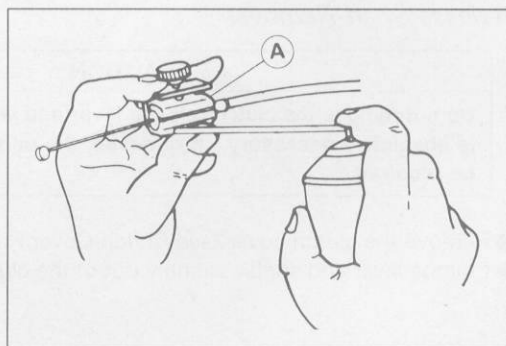
- Run the clutch cable correctly (see General Information chapter).
- Adjust the clutch cable (see Lever Free Play Adjustment).

### Cable Lubrication

Whenever the clutch cable is removed, lubricate the clutch cable as follows.

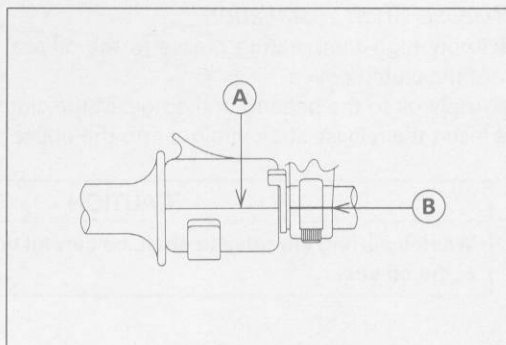
- Apply a thin coating of grease to the cable upper and lower ends.
- Lubricate the cable with a penetrating rust inhibitor.

**Special Tool – Pressure Cable Luber: k56019-021 [A]**



### Clutch Lever Installation

- Install the clutch lever so that the mating surface [A] of the switch housing is aligned with the mating surface [B] of the clutch lever clamp.



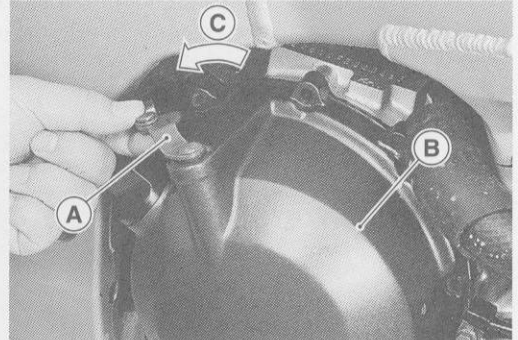
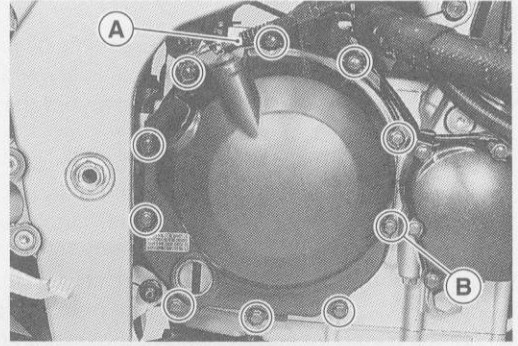
## 5-6 CLUTCH

### Clutch Cover

#### Clutch Cover Removal

- Remove:
  - Engine Oil (drain, see Engine Lubrication System chapter)
  - Right Lower Fairing (see Frame chapter)
  - Oil Hose
  - Clutch Cable Lower End [A]
  - Clutch Cover Mounting Bolts [B]

- Turn the release lever [A] toward the rear as shown, and remove the clutch cover [B].
  - [C] about 90°



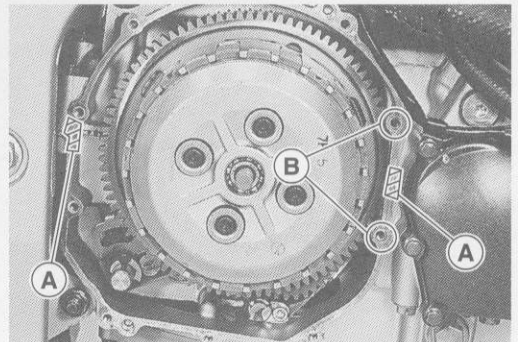
#### Clutch Cover Installation

- Apply silicone sealant to the area [A] where the mating surface of the crankcase touches the clutch cover gasket.

**Sealant – Kawasaki Bond (Silicone Sealant): 56019-120**

- Replace the cover gasket with a new one.
- Apply a non-permanent locking agent to the threads of the two clutch cover bolts [B].
- Tighten the cover bolts.

**Torque – Clutch Cover Bolts: 12 N-m (1.2 kg-m, 104 in-lb)**



#### Release Shaft Removal

##### CAUTION

**Do not remove the clutch release lever and shaft assembly unless it is absolutely necessary. If removed, the oil seal replacement may be required.**

- Remove the clutch cover (see Clutch Cover Removal).
- Pull the lever and shaft assembly out of the clutch cover.

#### Release Shaft Installation

- Apply high-temperature grease to the oil seal lips on the upper ridge of the clutch cover.
- Apply oil to the bearing in the hole of the clutch cover.
- Insert the release shaft straight into the upper hole of the clutch cover.

##### CAUTION

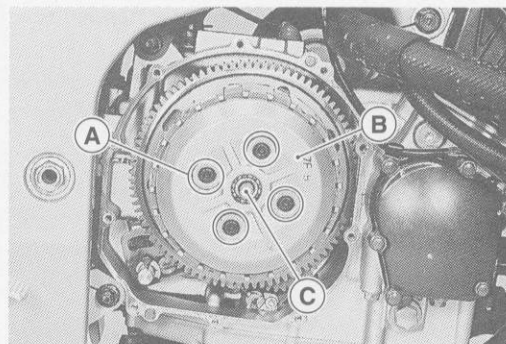
**When inserting the release shaft, be careful not to remove the spring of the oil seal.**

## Clutch

### Clutch Removal

- Remove:

- Engine Oil (drain, see Engine Lubrication System chapter)
- Right Lower Fairing (see Frame chapter)
- Clutch Cover (see Clutch Cover Removal)
- Clutch Spring Bolts [A]
- Clutch Springs
- Clutch Spring Plate [B] (with thrust bearing, pusher [C], spring and washer)



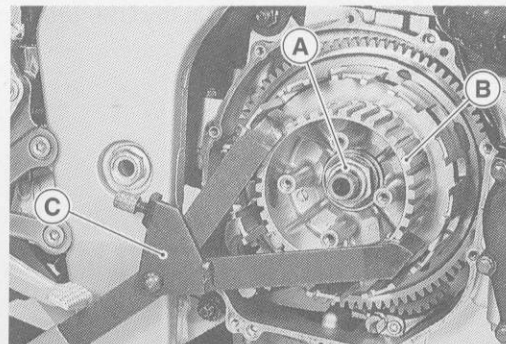
- Friction Plates, Steel Plates
- Spring, Spring Seat
- Clutch Hub Nut [A]

- Holding the clutch hub [B], remove the nut.

**Special Tool – Clutch Holder: 57001-1243 [C]**

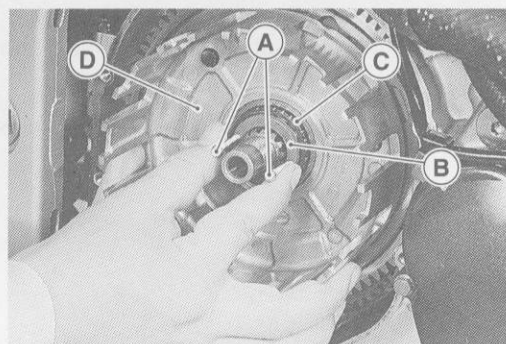
- Remove:

- Clutch Hub



- Using the two 4 mm screws [A], pull out the sleeve [B], needle bearing [C] and clutch housing [D].

- Remove the spacer.

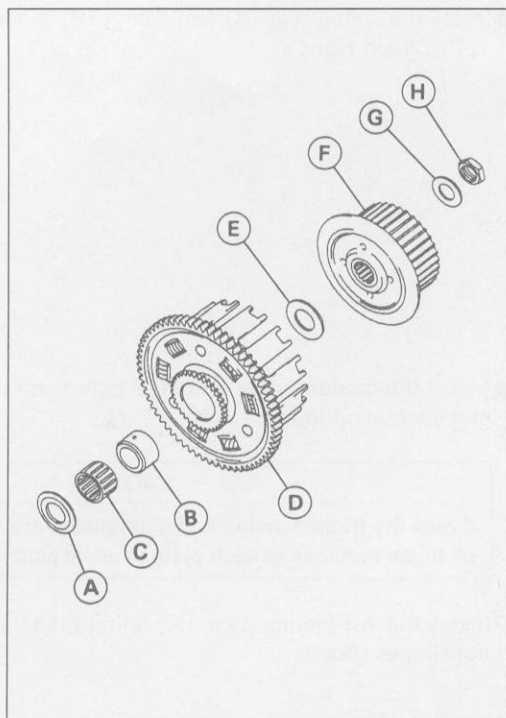


### Clutch Installation

- Inspect the clutch plate assembly length (see Clutch Plate Assembly Inspection).

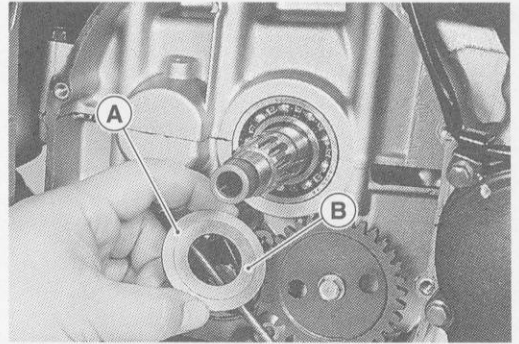
- Install the following parts on the drive shaft.

- [A] Spacer
- [B] Sleeve
- [C] Needle Bearing
- [D] Clutch Housing
- [E] Spacer
- [F] Clutch Hub
- [G] Washer
- [H] Nut

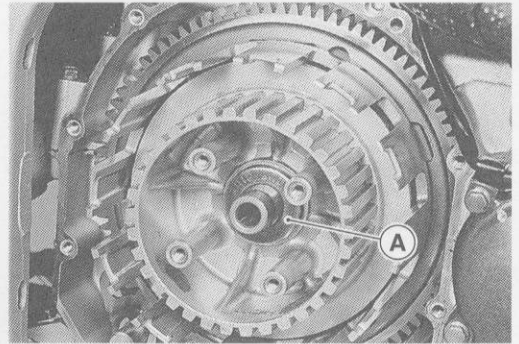


## 5-8 CLUTCH

○ Install the spacer [A] so that the stepped side [B] faces inward.



○ Install the washer [A] so that the OUT SIDE mark faces outward.

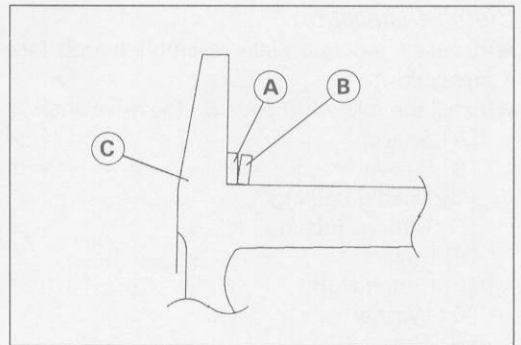


- Replace the clutch hub nut with a new one.
- Holding the clutch hub, tighten the clutch hub nut.

**Special Tool – Clutch Holder: 57001-1243**

**Torque – Clutch Hub Nut: 130 N-m (13.5 kg-m, 98 ft-lb)**

- Install the spring seat [A] and spring [B] as shown.  
[C] Clutch Hub

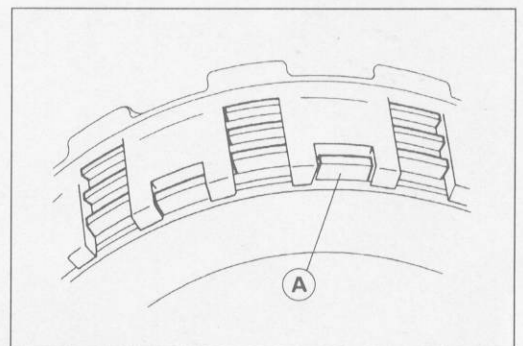


- Install the friction plates and steel plates, starting with a friction plate and alternating them.

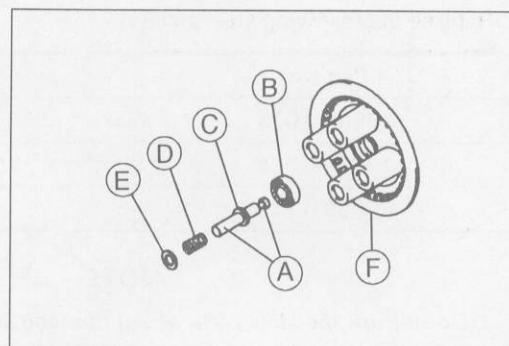
### CAUTION

**If new dry friction plates and steel plates are installed, apply engine oil to the surfaces of each plate to avoid clutch plate seizure.**

- Install the last friction plate [A] fitting the tangs in the grooves in the housing as shown.



- Apply molybdenum disulfide grease to the pusher end [A] and install the bearing [B], pusher [C], spring [D] and washer [E] in the clutch spring plate [F].



- Install the clutch spring plate and spring, and tighten the clutch spring bolts.

**Torque – Clutch Spring Bolts: 8.8 N-m (0.90 kg-m, 78 in-lb)**

- Install the clutch cover (see Clutch Cover Installation).

### Clutch Plate Assembly Inspection

- Inspect the friction plate thickness (see Clutch Plate, Wear, Damage Inspection).
- Measure the length [A] of the clutch plate assembly as shown.

○ Assemble:

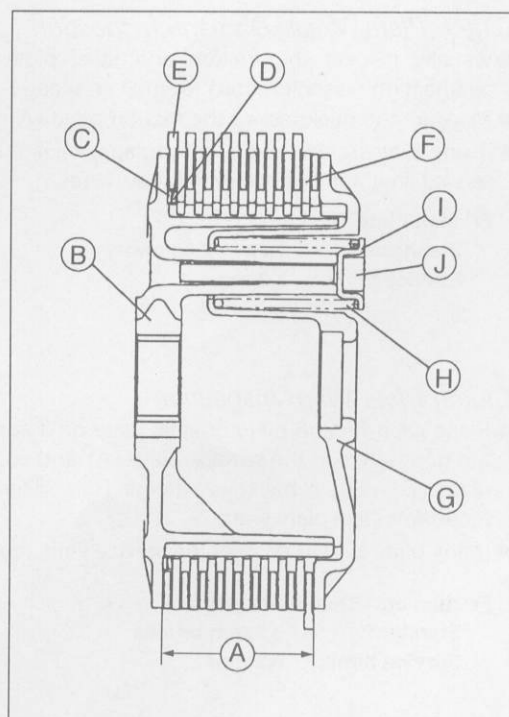
Clutch Hub [B]	Spring Plate [G]
Spring Seat [C]	Springs [H]
Spring [D]	Spring Holders [I]
Friction Plate [E]	Spring Bolts [J]
Steel Plate [F]	

**Torque – Clutch Spring Bolts: 8.8 N-m (0.90 kg-m, 78 in-lb)**

### Clutch Plate Assembly

**Standard Length: 43.3 ~ 43.9 mm**

- ★ If the length is not within the specified range, adjust the length (see Clutch Plate Assembly Adjustment).



### Clutch Plate Assembly Adjustment

- Inspect the clutch plate assembly length, and then replace the steel plate(s) which brings the length within the specified range.

○ Remove:

- Spring Bolts
- Spring Holders
- Springs
- Spring Plate

## 5-10 CLUTCH

○ Replace the following steel plate(s).

Part No.	Thickness
13089-1073	2.0 mm
13089-1084	2.3 mm (STD)
13089-1115	2.6 mm

### NOTE

○ Do not use the steel plate of 2.0 mm and 2.6 mm thickness at the same time.

● Install the removed parts, and inspect the clutch plate assembly length.

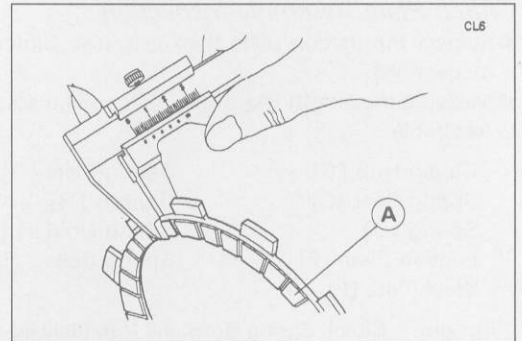
**Torque – Clutch Spring Bolts: 8.8 N-m (0.90 kg-m, 78 in-lb)**

### Clutch Plate, Wear, Damage Inspection

- Visually inspect the friction and steel plates for signs of seizure, overheating (discoloration), or uneven wear.
- Measure the thickness of the friction plate [A] at several points.
- ★ If any plates show signs of damage, or if they have worn past the service limit, replace them with new ones.

#### Friction Plate Thickness

**Standard:** 2.72 ~ 2.88 mm  
**Service Limit:** 2.2 mm

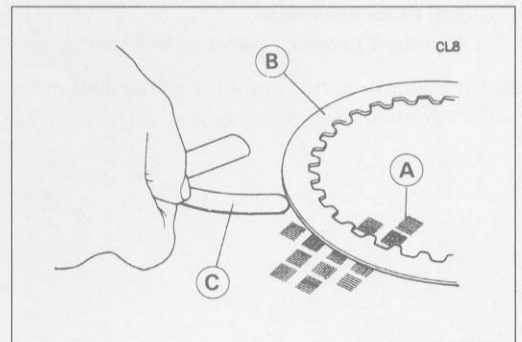


### Clutch Plate Warp Inspection

- Place each friction plate or steel plate on a surface plate and measure the gap between the surface plate [A] and each friction plate or steel plate [B] with a thickness gauge [C]. The gap is the amount of friction or steel plate warp.
- ★ If any plate is warped over the service limit, replace it with a new one.

#### Friction and Steel Plate Warp

**Standard:** 0.2 mm or less  
**Service Limit:** 0.3 mm

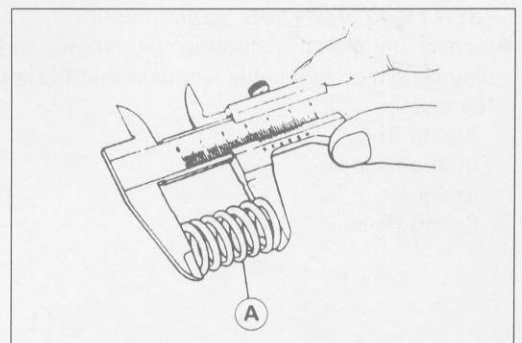


### Clutch Spring Free Length Measurement

- Measure the free length of the clutch springs [A].
- ★ If any spring is shorter than the service limit, it must be replaced.

#### Clutch Spring Free Length

**Standard:** 82.1 mm  
**Service Limit:** 78.0 mm



# Engine Lubrication System

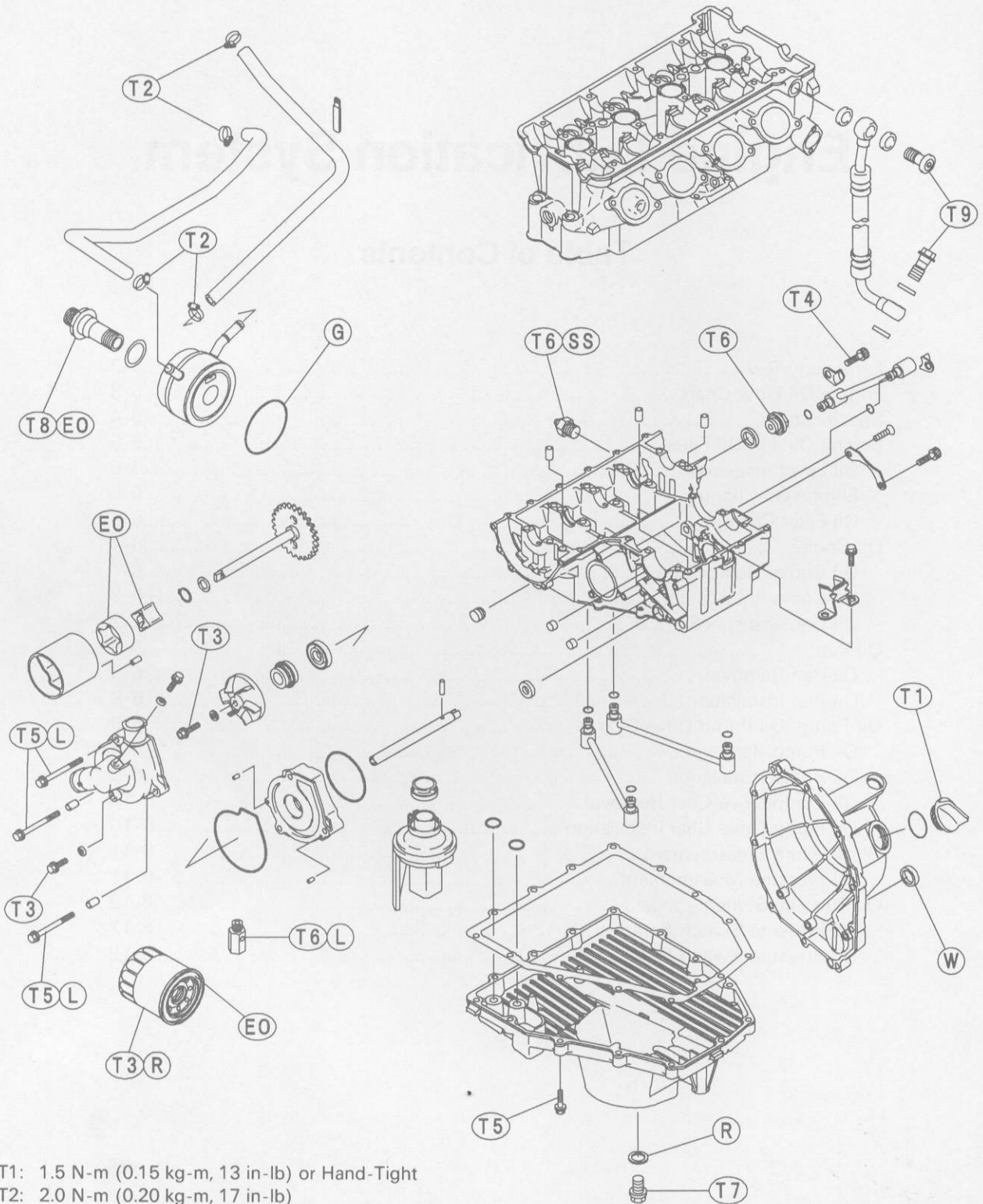
## Table of Contents

Exploded View .....	6-2
Engine Oil Flow Chart.....	6-3
Specifications .....	6-4
Engine Oil and Oil Filter.....	6-5
Oil Level Inspection .....	6-5
Engine Oil Change.....	6-5
Oil Filter Change .....	6-6
Oil Cooler.....	6-7
Oil Cooler Removal.....	6-7
Oil Cooler Installation .....	6-7
Oil Cooler Inspection .....	6-7
Oil Pan.....	6-8
Oil Pan Removal .....	6-8
Oil Pan Installation.....	6-8
Oil Pump, Oil Pump Drive Gear.....	6-9
Oil Pump Removal.....	6-9
Oil Pump Installation .....	6-9
Oil Pump Drive Gear Removal .....	6-10
Oil Pump Drive Gear Installation.....	6-10
Oil Pressure Measurement.....	6-11
Oil Pressure Measurement.....	6-11
Oil Pressure Switch.....	6-12
Oil Pressure Switch Removal.....	6-12
Oil Pressure Switch Installation .....	6-12



## 6-2 ENGINE LUBRICATION SYSTEM

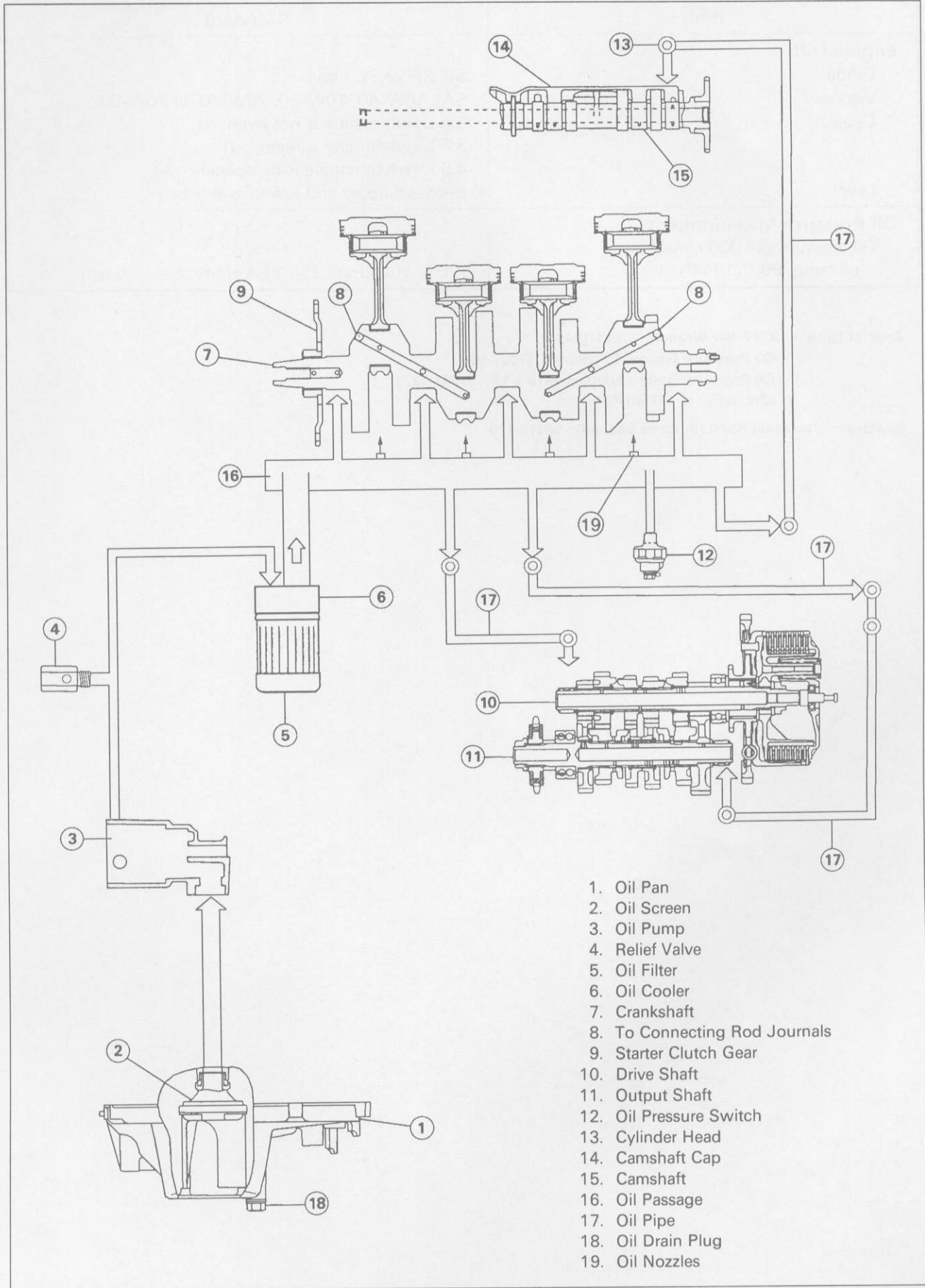
### Exploded View



- T1: 1.5 N-m (0.15 kg-m, 13 in-lb) or Hand-Tight
- T2: 2.0 N-m (0.20 kg-m, 17 in-lb)
- T3: 9.8 N-m (1.0 kg-m, 87 in-lb)
- T4: 13 N-m (1.3 kg-m, 113 in-lb)
- T5: 12 N-m (1.2 kg-m, 104 in-lb)
- T6: 15 N-m (1.5 kg-m, 11.0 ft-lb)
- T7: 20 N-m (2.0 kg-m, 14.5 ft-lb)
- T8: 78 N-m (8.0 kg-m, 58 ft-lb)
- T9: 25 N-m (2.5 kg-m, 18.0 ft-lb)

- SS: Apply silicone sealant.
- L: Apply a non-permanent locking agent.
- R: Replacement Parts
- G: Apply grease.
- EO: Apply engine oil.
- W: Apply water.

Engine Oil Flow Chart



- 1. Oil Pan
- 2. Oil Screen
- 3. Oil Pump
- 4. Relief Valve
- 5. Oil Filter
- 6. Oil Cooler
- 7. Crankshaft
- 8. To Connecting Rod Journals
- 9. Starter Clutch Gear
- 10. Drive Shaft
- 11. Output Shaft
- 12. Oil Pressure Switch
- 13. Cylinder Head
- 14. Camshaft Cap
- 15. Camshaft
- 16. Oil Passage
- 17. Oil Pipe
- 18. Oil Drain Plug
- 19. Oil Nozzles

## 6-4 ENGINE LUBRICATION SYSTEM

### Specifications

Item	Standard
<b>Engine Oil:</b> Grade Viscosity Capacity  Level	SE, SF, or SG class SAE 10W-40, 10W-50, 20W-40, or 20W-50 3.4 L (when filter is not removed) 3.6 L (when filter is removed) 4.0 L (when engine is completely dry) Between upper and lower level lines
<b>Oil Pressure Measurement:</b> Oil pressure @4,000 r/min(rpm), oil temp. 90°C(194°F)	120 ~ 180 kPa(1.2 ~ 1.8 kg/cm <sup>2</sup> , 17 ~ 26 psi)

**Special Tools – Oil Filter Wrench: 57001-1249**  
**Oil Pressure Gauge, 10 kg/cm<sup>2</sup>: 57001-164**  
**Oil Pressure Gauge Adapter, M18 x 1.5: 57001-1278**  
**Circlip Pliers: 57001-154**

**Sealant – Kawasaki Bond (Silicone Sealant): 56019-120**

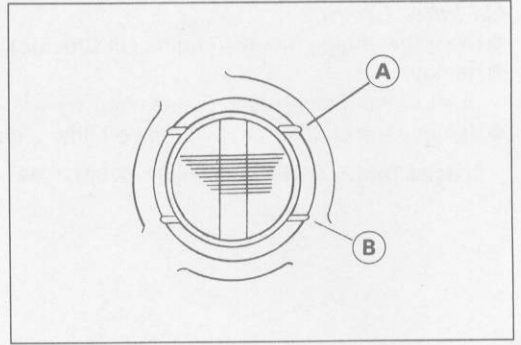
## Engine Oil and Oil Filter

### ▲ WARNING

Motorcycle operation with insufficient, deteriorated, or contaminated engine oil will cause accelerated wear and may result in engine or transmission seizure, accident, and injury.

### Oil Level Inspection

- Check that the engine oil level is between the upper [A] and lower [B] levels in the gauge.



### NOTE

- Situate the motorcycle so that it is perpendicular to the ground.
- If the motorcycle has just been used, wait several minutes for all the oil to drain down.
- If the oil has just been changed, start the engine and run it for several minutes at idle speed. This fills the oil filter with oil. Stop the engine, then wait several minutes until the oil settles.

### CAUTION

Racing the engine before the oil reaches every part can cause engine seizure.

If the engine oil gets extremely low or if the oil pump or oil passages clog up or otherwise do not function properly, the oil pressure warning light will light. If this light stays on when the engine is running above idle speed, stop the engine immediately and find the cause.

### Engine Oil Change

- Support the motorcycle perpendicular to the ground after warming up the engine.
- Remove the engine drain plug [A] to drain the oil.
- The oil in the oil filter can be drained by removing the filter (see Oil Filter Change).
- ★ Replace the drain plug gasket [B] with a new one if it is damaged.
- Tighten the drain plug.

**Torque – Engine Drain Plug: 20 N-m (2.0 kg-m, 14.5 ft-lb)**

- Pour in the specified type and amount of oil.

### Engine Oil

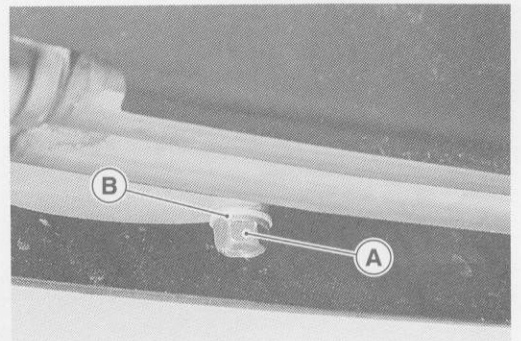
**Grade:** SE, SF or SG class

**Viscosity:** SAE 10W40, 10W50, 20W40, or 20W50

**Amount:** 3.4 L (when filter is not removed)

3.6 L (when filter is removed)

4.0 L (when engine is completely dry)



## 6-6 ENGINE LUBRICATION SYSTEM

### Oil Filter Change

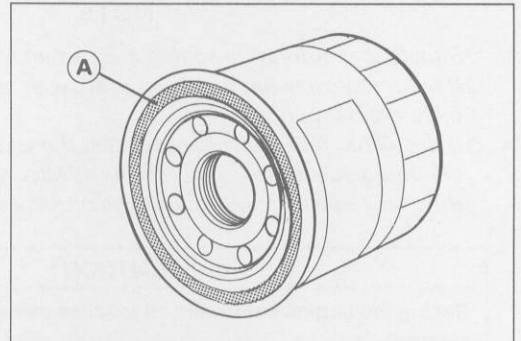
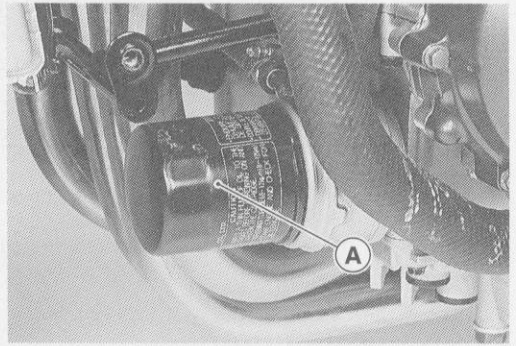
- Drain the engine oil (see Engine Oil Change).
- Remove:
  - Left Lower Fairing (see Frame chapter)
- Remove the oil filter [A] with the oil filter wrench.

**Special Tool – Oil Filter Wrench: 57001-1249**

- Replace the filter with a new one.
- Apply engine oil to the gasket [A] before installation.
- Tighten the filter with the oil filter wrench or with hands about  $\frac{3}{4}$  turns after the gasket contacts the mounting surface of the oil cooler.

**Torque – Oil Filter: 9.8 N-m (1.0 kg-m, 87 in-lb)**

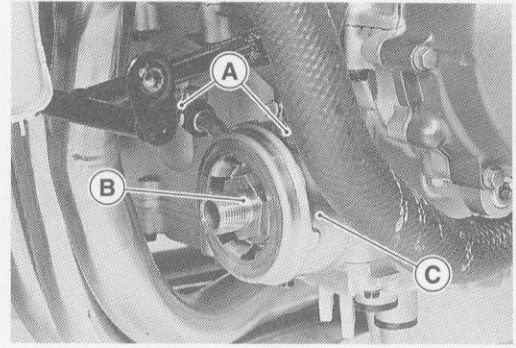
- Pour in the specified type and amount of oil (see Engine Oil Change).



## Oil Cooler

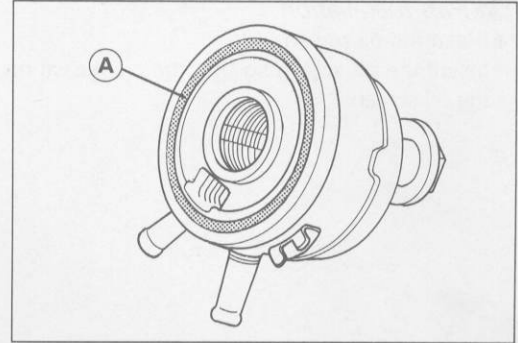
### Oil Cooler Removal

- Remove:
  - Lower Fairings (see Frame chapter)
- Drain:
  - Engine Oil (see Engine Oil Change)
  - Coolant (see Cooling System chapter)
- Remove the oil filter.
- Remove the oil cooler hoses [A] from the oil cooler.
- Unscrew the oil cooler bolt [B] from the crankcase, and remove the oil cooler [C].



### Oil Cooler Installation

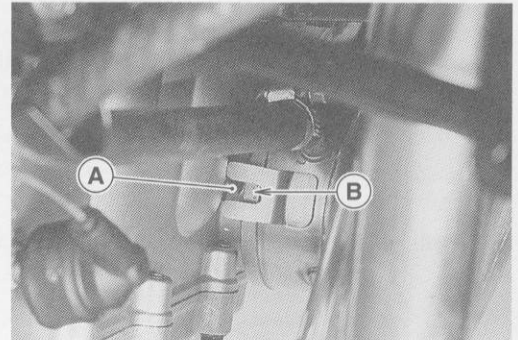
- Apply grease to the O-ring [A] before installation.
- Apply engine oil to the oil cooler bolt, and install the oil cooler with the bolt.



- Install the oil cooler so that the crankcase rib [A] fits the slot [B] of the oil cooler.
- Tighten the oil cooler bolt.

**Torque – Oil Cooler Bolt: 78 N-m (8.0 kg-m, 58 ft-lb)**

- Pour:
  - Engine Oil (see Engine Oil Change)
  - Coolant (see Cooling System chapter)

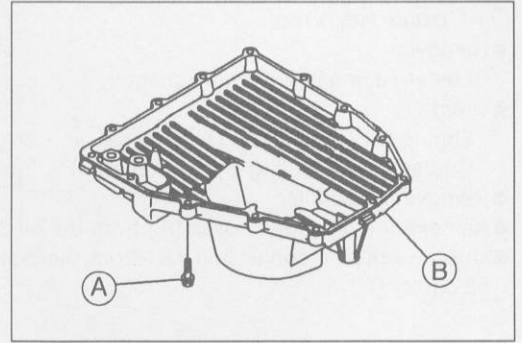


## 6-8 ENGINE LUBRICATION SYSTEM

### Oil Pan

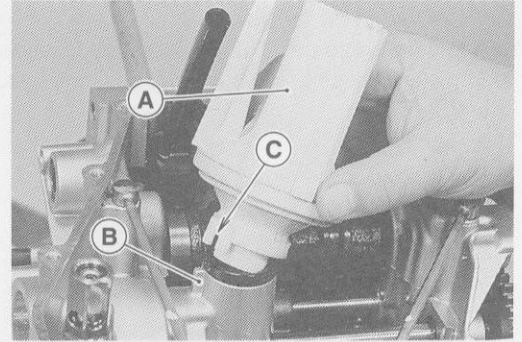
#### Oil Pan Removal

- Remove:
  - Engine Oil (drain, see Engine Oil Change)
  - Muffler (see Engine Top End chapter)
  - Oil Pan Bolts [A]
  - Oil Pan [B]



#### Oil Pan Installation

- Clean the oil screen [A].
- Install the oil screen so that the crankcase rib [B] fits the slot [C] of the oil screen.

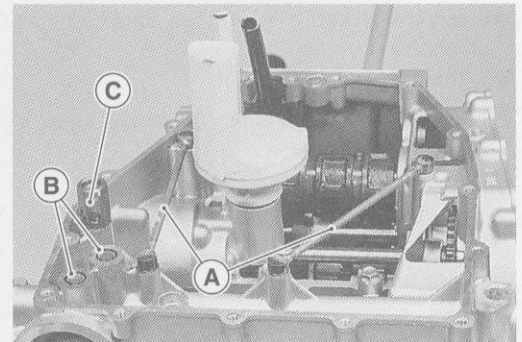


- Apply grease to the O-rings on the oil pipes [A].
- Replace the O-rings [B] with new ones if they are damaged.
- Apply a non-permanent locking agent to the threads of the relief valve [C], and tighten it.

**Torque – Oil Pressure Relief Valve: 15 N-m (1.5 kg-m, 11.0 ft-lb)**

- Replace the oil pan gasket with a new one.
- Tighten the oil pan bolts.

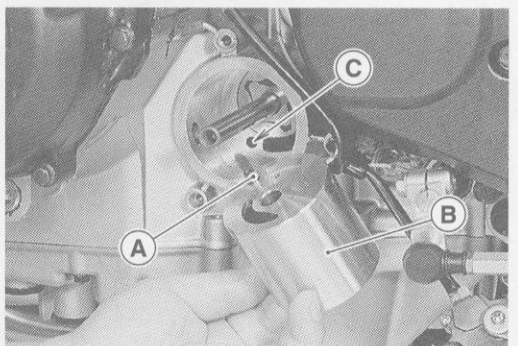
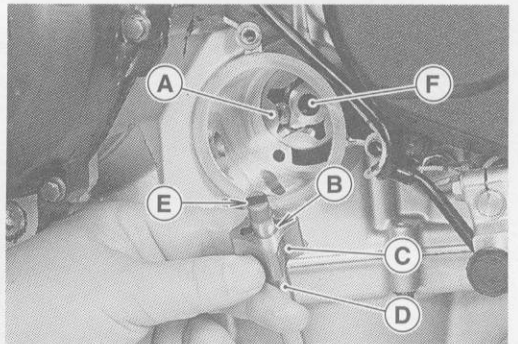
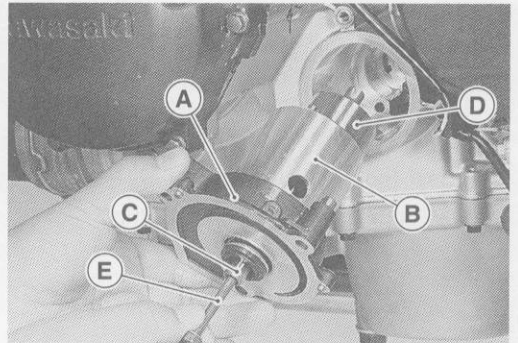
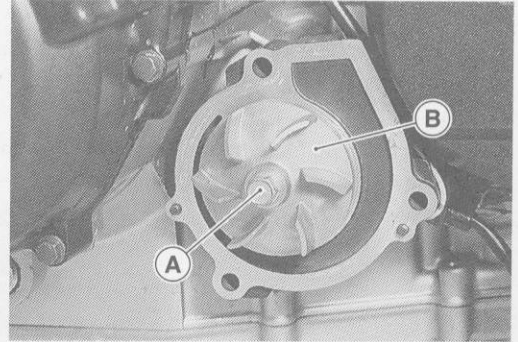
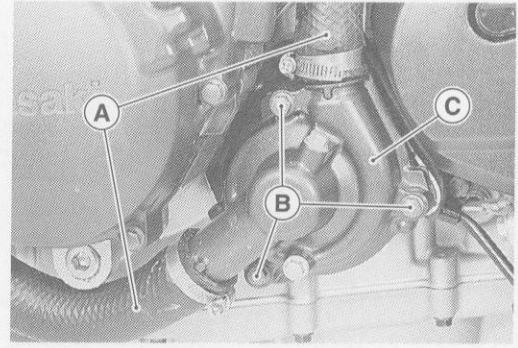
**Torque – Oil Pan Bolts: 12 N-m (1.2 kg-m, 104 in-lb)**



## Oil Pump, Oil Pump Drive Gear

### Oil Pump Removal

- Drain:
  - Coolant (see Cooling System chapter)
  - Engine Oil (see Engine Oil Change)
- Remove:
  - Water Hoses [A]
  - Bolts [B] and Water Pump Cover [C]



Impeller Bolt [A]  
Impeller [B]

Water Pump Body [A]  
Oil Pump Cover [B]  
Oil (Water) Pump Shaft [C]  
Outer rotor [D] and Inner Rotor

### NOTE

- The oil (water) pump assembly can easily be removed by installing water pump cover bolt [E] into the oil (water) pump shaft and pulling them.

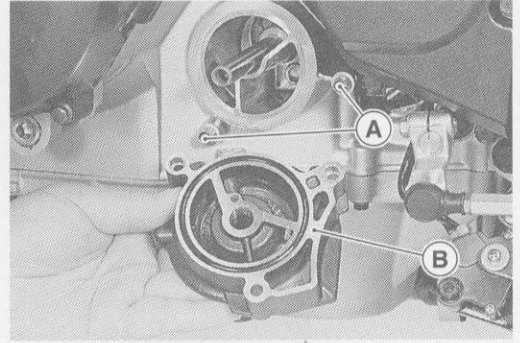
### Oil Pump Installation

- Install the outer rotor [A] in to the crankcase.
- Install the pin [B], inner rotor [C] and oil (water) pump shaft [D].
- Turn the pump shaft so that the slot [E] in its shaft fits onto the projection [F] of the pump drive gear shaft.

- Fit the pin [A] of the oil pump cover [B] into the hole [C] in the crankcase.



- Install:
  - Pins [A]
  - Water Pump Body [B]



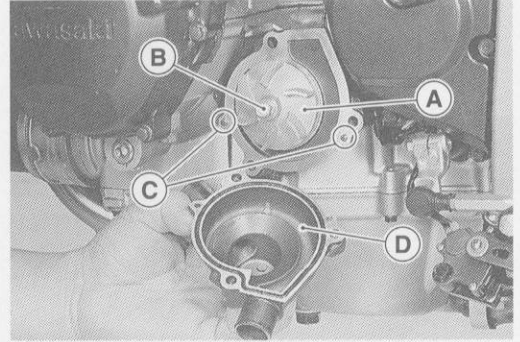
Impeller [A] and Bolt [B]

**Torque – Impeller Bolt: 9.8 N-m (1.0 kg-m, 87 in-lb)**

Pins [C]  
Water Pump Cover [D]

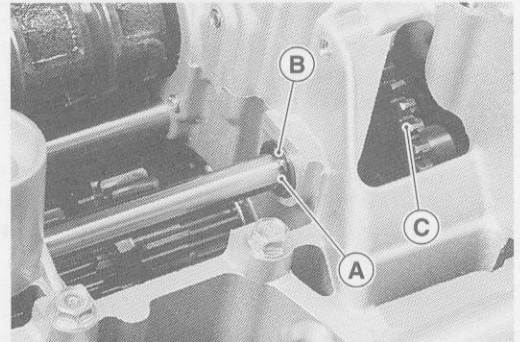
- Apply a non-permanent locking agent to the threads of the water pump cover bolts, and tighten them.

**Torque – Water Pump Cover Bolts: 12 N-m (1.2 kg-m, 104 in-lb)**



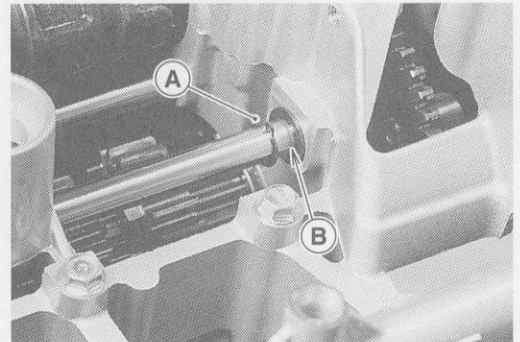
### *Oil Pump Drive Gear Removal*

- Remove:
    - Clutch (see Clutch chapter)
    - Oil Pan (see Oil Pan Removal)
    - Circlip [A] and Washer [B]
- Special Tool – Circlip Pliers: 57001-154**
- Oil Pump Drive Gear [C] and Shaft



### *Oil Pump Drive Gear Installation*

- Install the circlip [A] into the groove [B] of the oil pump drive gear shaft.
- Special Tool – Circlip Pliers: 57001-154**

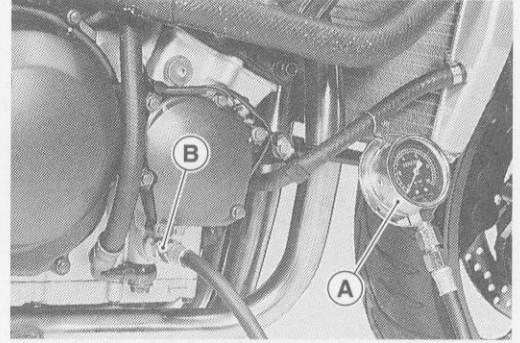


## Oil Pressure Measurement

### Oil Pressure Measurement

- Remove the lower fairing (see Frame chapter).
- Remove the oil passage plug, and attach the gauge and adapter to the plug hole.

**Special Tools** – Oil Pressure Gauge, 10 kg/cm<sup>2</sup>: 57001-164 [A]  
 Oil Pressure Gauge Adapter, M18 x 1.5: 57001-1278 [B]



- Run the engine at the specified speed, and read the oil pressure gauge.
- ★ If the oil pressure is significantly below the specification, inspect the oil pump and relief valve.
- ★ If the oil pump and relief valve are not at fault, inspect the rest of the lubrication system.

### Oil Pressure

**Standard:** 120 ~ 180 kPa (1.2 ~ 1.8 kg/cm<sup>2</sup>, 17 ~ 26 psi)  
 @4,000 r/min (rpm), oil temp. 90°C (194 °F)

- Stop the engine.
- Remove the oil pressure gauge and adapter.

#### ⚠ WARNING

Take care against burns from hot engine oil that will drain through the oil passage when the gauge adapter is removed.

- Tighten the oil passage plug.

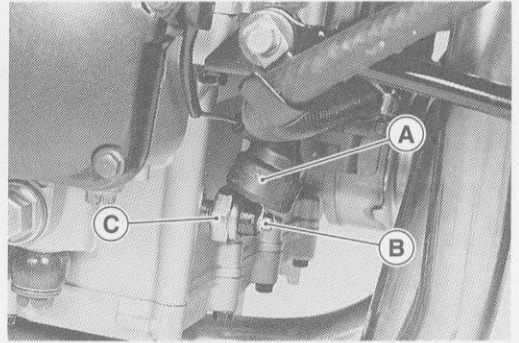
**Torque** – Oil Passage Plug (Right): 15 N-m (1.5 kg-m, 11.0 ft-lb)

## 6-12 ENGINE LUBRICATION SYSTEM

### Oil Pressure Switch

#### *Oil Pressure Switch Removal*

- Remove:
  - Right Lower Fairing (see Frame chapter)
  - Engine Oil (drain, see Engine Oil Change)
  - Switch Cover [A]
  - Switch Terminal [B]
  - Oil Pressure Switch [C]



#### *Oil Pressure Switch Installation*

- Apply silicone sealant to the threads of the oil pressure switch and tighten it.
  - Sealant – Kawasaki Bond (Silicone Sealant): 56019-120**
  - Torque – Oil Pressure Switch: 15 N-m (1.5 kg-m, 11.0 ft-lb)**
- Tighten the terminal bolt.
  - Torque – Oil Pressure Switch Terminal Bolt: 1.5 N-m (0.15 kg-m, 13 in-lb)**
- Apply grease to the terminal.

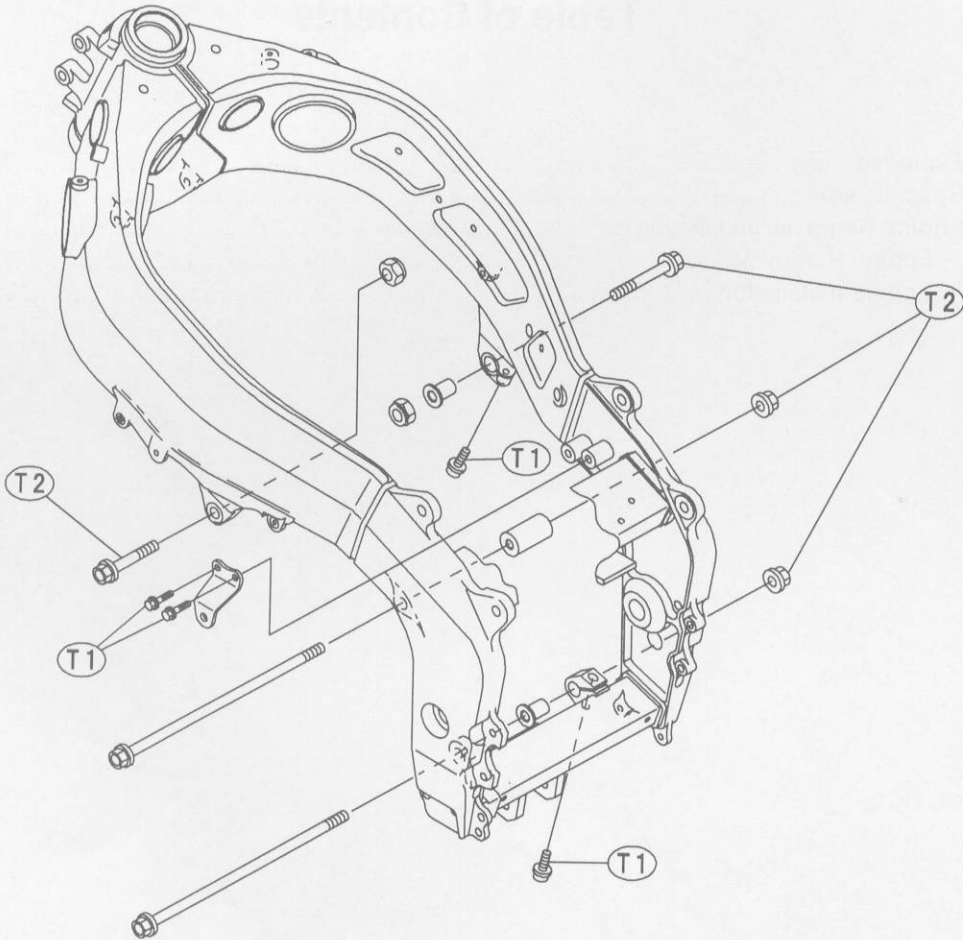
# Engine Removal / Installation

## Table of Contents

Exploded View .....	7-2
Specifications .....	7-3
Engine Removal/Installation .....	7-4
Engine Removal .....	7-4
Engine Installation .....	7-5

## 7-2 ENGINE REMOVAL / INSTALLATION

### Exploded View



T1: 23 N-m (2.3 kg-m, 16.5 ft-lb)  
T2: 44 N-m (4.5 kg-m, 33 ft-lb)

---

**Specifications**

---

**Special Tool – Jack: 57001-1238**

## 7-4 ENGINE REMOVAL / INSTALLATION

### Engine Removal/Installation

#### Engine Removal

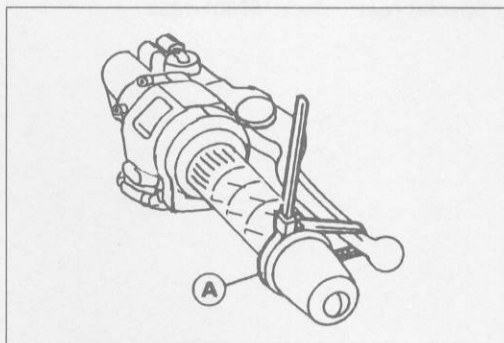
- Squeeze the brake lever slowly and hold it with a band [A].

#### ⚠WARNING

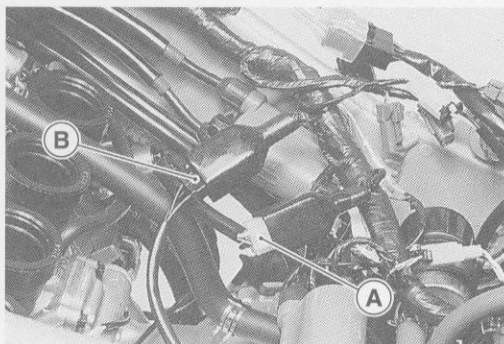
Be sure to hold the front brake when removing the engine, or the motorcycle may fall over. It could cause an accident and injury.

#### CAUTION

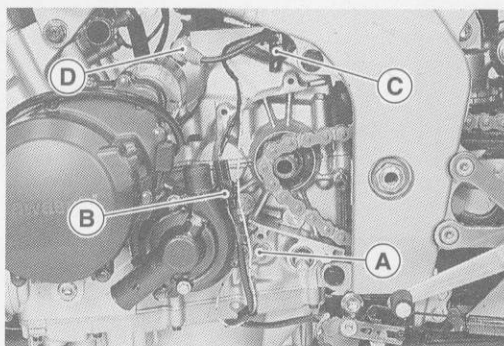
Be sure to hold the front brake when removing the engine, or the motorcycle may fall over. The engine or the motorcycle could be damaged.



- Drain:
  - Engine Oil (see Engine Lubrication System chapter)
  - Coolant (see Cooling System chapter)
- Remove:
  - Lower Fairings (see Frame chapter)
  - Fuel Tank (see Fuel System chapter)
  - Air Cleaner Housing (see Fuel System chapter)
  - Spark Plug Caps
  - Carburetors (see Fuel System chapter)
  - Baffle Plate on the Cylinder Head Cover
  - Radiator and Reserve Tank
  - Clutch Cable Lower End
  - Muffler
  - Shift Lever
  - Speed Sensor
  - Engine Sprocket (see Final Drive chapter)
- Disconnect wiring from the engine and free them from the clamps.
  - Pickup Coil Lead and Oil Pressure Switch Lead Connector [A]
  - Alternator Lead Connector [B]



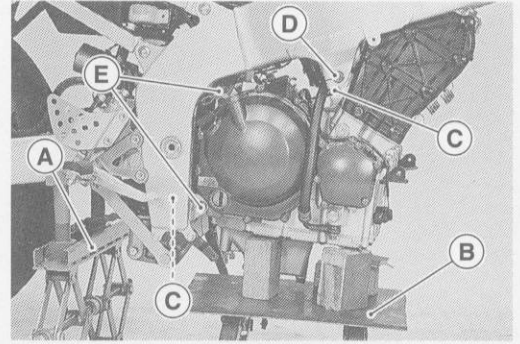
- Neutral Switch Lead Connector [A]
- Side Stand Switch Lead Connector [B]
- Battery Ground Lead [C]
- Starter Motor Lead [D]



- Support the rear part of the frame on the jack [A].

**Special Tool – Jack: 57001-1238**

- Support the engine with a suitable stand [B].
- Loosen the clamp bolts [C] to free the collars.
- Remove the engine mounting bolts [D] and nuts [E].
- Remove the drive chain from the output shaft.
- Using the stand, take out the engine.



### Engine Installation

- Before engine installation loosen the engine bracket bolts [A].
- Support the engine with a suitable stand.
- Hang the drive chain over the output shaft just before moving the engine into its final position in the frame.
- Insert the collars [B] in the clamps of the frame.
- Install the collar [C] to the left side on the rear upper mounting bolt.
- Tighten the engine mounting bolts and nuts.

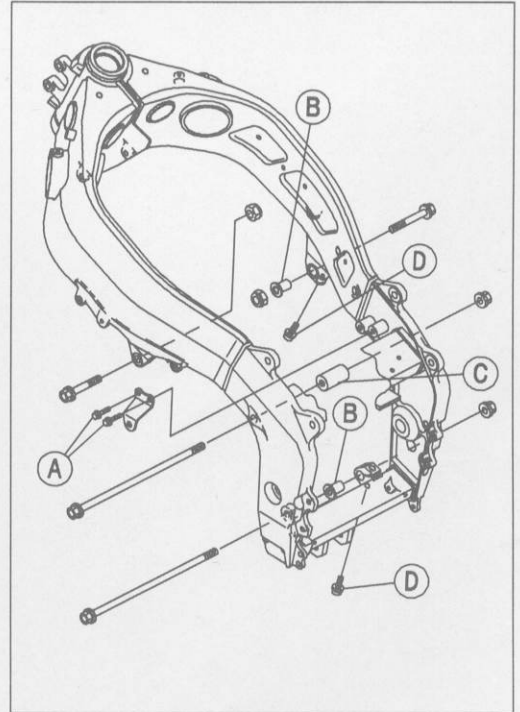
**Torque – Engine Mounting Bolts and Nuts: 44 N-m (4.5 kg-m, 33 ft-lb)**

- Tighten the clamp bolts [D] and bracket bolts.

**Torque – Engine Mounting Clamp Bolts: 23 N-m (2.3 kg-m, 16.5 ft-lb)**

**Engine Bracket Bolts: 23 N-m (2.3 kg-m, 16.5 ft-lb)**

- Install the removed parts (see appropriate chapters).
- Adjust:
  - Throttle Cables (see Fuel System chapter)
  - Choke Cable (see Fuel System chapter)
  - Drive Chain (see Final Drive chapter)





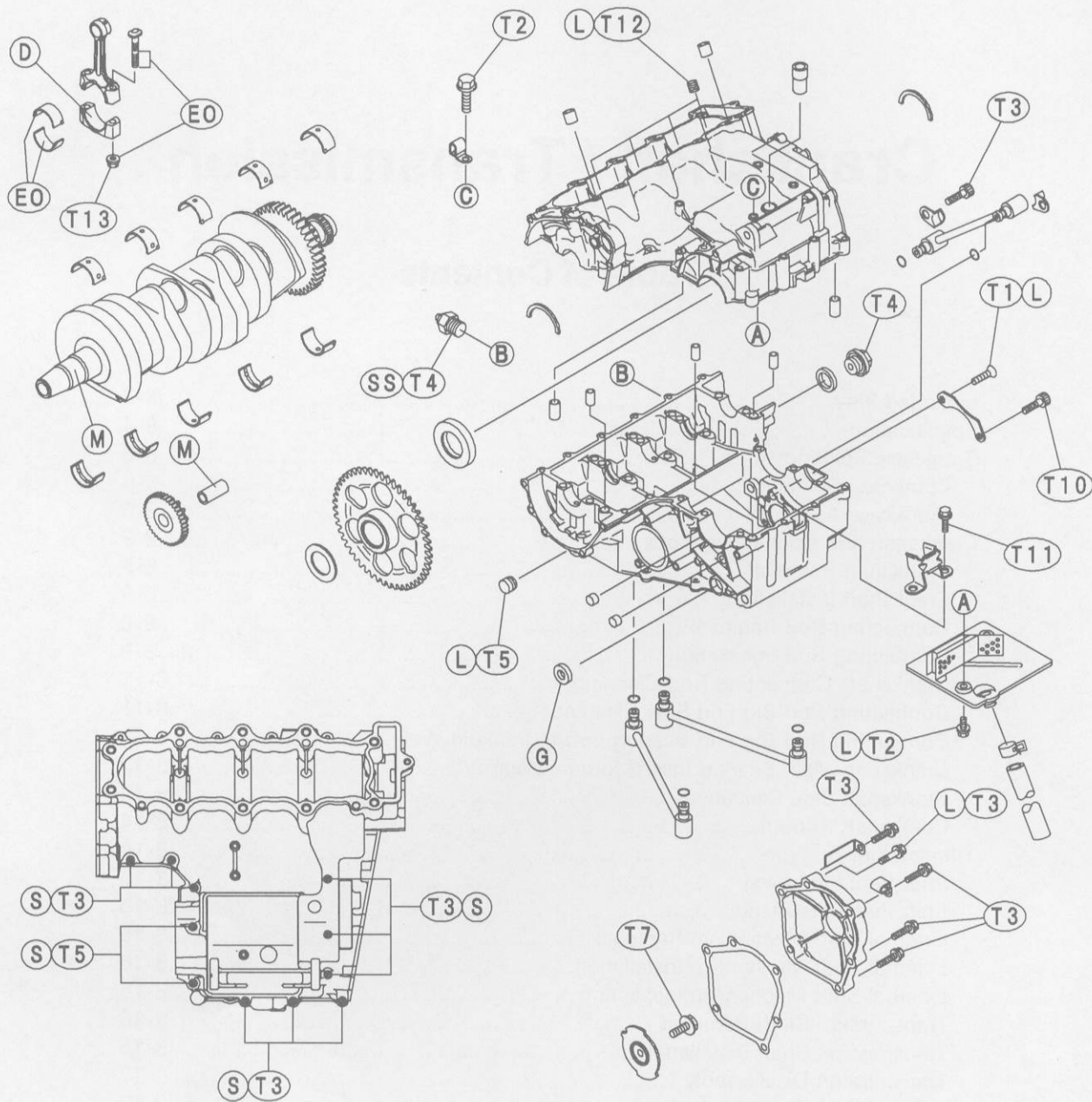
# Crankshaft / Transmission

## Table of Contents

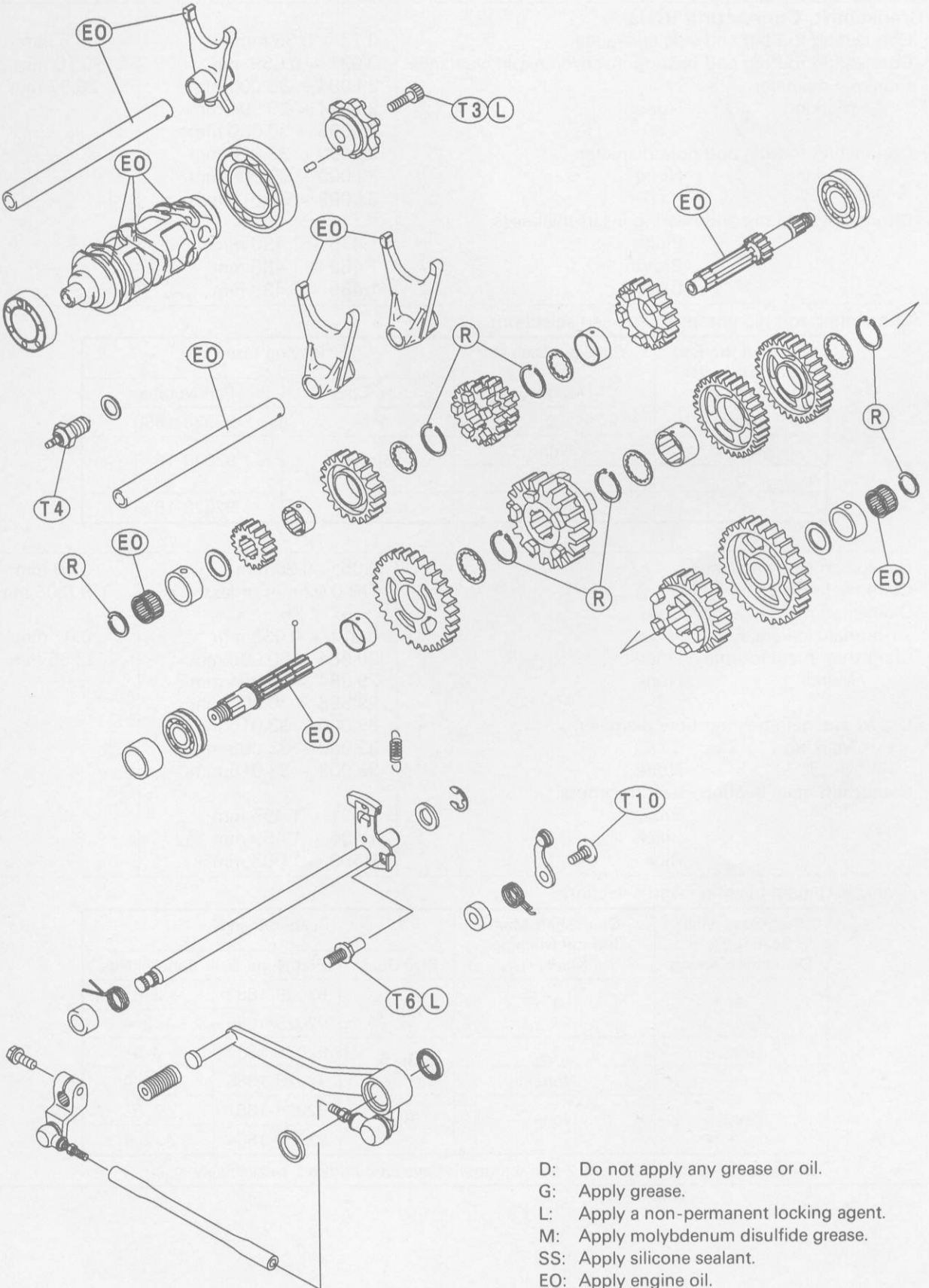
Exploded View .....	8-2
Specifications .....	8-4
Crankcase Splitting .....	8-6
Crankcase Splitting .....	8-6
Crankcase Assembly .....	8-6
Crankshaft and Connecting Rods.....	8-9
Crankshaft Removal.....	8-9
Crankshaft Installation .....	8-9
Connecting Rod Removal .....	8-9
Connecting Rod Installation.....	8-9
Crankshaft/Connecting Rod Cleaning.....	8-11
Connecting Rod Big End Side Clearance.....	8-11
Connecting Rod Big End Bearing Insert/Crankpin Wear.....	8-11
Crankshaft Main Bearing Insert/Journal Wear .....	8-12
Crankshaft Side Clearance.....	8-14
Crankshaft Runout.....	8-14
Transmission.....	8-15
Shift Pedal Removal .....	8-15
Shift Pedal Installation.....	8-15
External Shift Mechanism Removal .....	8-15
External Shift Mechanism Installation.....	8-16
External Shift Mechanism Inspection .....	8-16
Transmission Shaft Removal .....	8-16
Transmission Shaft Installation .....	8-16
Transmission Disassembly.....	8-17
Transmission Assembly .....	8-17
Shift Drum and Fork Removal.....	8-18
Shift Drum and Fork Installation .....	8-18
Shift Drum Disassembly .....	8-19
Shift Drum Assembly.....	8-19
Shift Fork Bending.....	8-19
Shift Fork/Gear Groove Wear.....	8-19
Shift Fork Guide Pin/Drum Groove Wear.....	8-20
Gear Dog and Gear Dog Hole Damage .....	8-20

## 8-2 CRANKSHAFT / TRANSMISSION

### Exploded View



- T1: 5.4 N-m (0.55 kg-m, 48 in-lb)
- T2: 9.8 N-m (1.0 kg-m, 87 in-lb)
- T3: 12 N-m (1.2 kg-m, 104 in-lb)
- T4: 15 N-m (1.5 kg-m, 11.0 ft-lb)
- T5: 20 N-m (2.0 kg-m, 14.5 ft-lb)
- T6: 28 N-m (2.9 kg-m, 21 ft-lb)
- T7: 39 N-m (4.0 kg-m, 29 ft-lb)
- T8: 31 N-m (3.2 kg-m, 23 ft-lb)
- T9: 18 N-m (1.8 kg-m, 13.0 ft-lb)
- T10: 13 N-m (1.3 kg-m, 113 in-lb)
- T11: 11 N-m (1.1 kg-m, 95 in-lb)
- T12: 6.9 N-m (0.70 kg-m, 61 in-lb)
- T13: See the text.



- D: Do not apply any grease or oil.
- G: Apply grease.
- L: Apply a non-permanent locking agent.
- M: Apply molybdenum disulfide grease.
- SS: Apply silicone sealant.
- EO: Apply engine oil.
- R: Replacement Parts

## 8-4 CRANKSHAFT / TRANSMISSION

### Specifications

Item	Standard	Service Limit
<b>Crankshaft, Connecting Rods:</b>		
Connecting rod big end side clearance	0.13 ~ 0.33 mm	0.5 mm
Connecting rod big end bearing insert/crankpin clearance	0.031 ~ 0.059 mm	0.10 mm
Crankpin diameter:	29.984 ~ 30.000 mm	29.97 mm
Marking	None	- - -
	○	- - -
Connecting rod big end bore diameter:	33.000 ~ 33.016 mm	- - -
Marking	None	- - -
	○	- - -
Connecting rod big end bearing insert thickness:		
Pink	1.475 ~ 1.480 mm	- - -
Brown	1.480 ~ 1.485 mm	- - -
Black	1.485 ~ 1.490 mm	- - -

#### Connecting rod big end bearing insert selection:

Con-rod Big End Bore Diameter Marking	Crankpin Diameter Marking	Bearing Insert	
		Size Color	Part Number
None	○	Pink	92028-1880
None	None	Brown	92028-1879
○	○		
○	None	Black	92028-1878

Crankshaft side clearance	0.05 ~ 0.20 mm	0.40 mm
Crankshaft runout	TIR 0.02 mm or less	TIR 0.05 mm
Crankshaft main bearing insert/journal clearance	0.014 ~ 0.038 mm	0.07 mm
Crankshaft main journal diameter:	29.984 ~ 30.000 mm	29.96 mm
Marking	None	- - -
	1	- - -
Crankcase main bearing bore diameter:	33.000 ~ 33.016 mm	- - -
Marking	○	- - -
	None	- - -
Crankshaft main bearing insert thickness:		
Brown	1.491 ~ 1.495 mm	- - -
Black	1.495 ~ 1.499 mm	- - -
Blue	1.499 ~ 1.503 mm	- - -

#### Crankshaft main bearing insert selection:

Crankcase Main Bearing Bore Diameter Marking	Crankshaft Main Journal Diameter Marking	Bearing Insert*		
		Size Color	Part Number	Journal Nos.
○	1	Brown	92028-1883	3, 5
			92028-1886	1, 2, 4
None	1	Black	92028-1882	3, 5
			92028-1885	1, 2, 4
○	None	Blue	92028-1881	3, 5
			92028-1884	1, 2, 4

\*The bearing inserts for Nos. 1, 2 and 4 journals have an oil groove, respectively.

Item	Standard	Service Limit
<b>Transmission:</b>		
Shift fork ear thickness	5.9 ~ 6.0 mm	5.8 mm
Gear groove width	6.05 ~ 6.15 mm	6.25 mm
Shift fork guide pin diameter	5.9 ~ 6.0 mm	5.8 mm
Shift drum groove width	6.05 ~ 6.20 mm	6.3 mm

**Special Tool – Outside Circlip Pliers: 57001-144**

**Sealant – Kawasaki Bond (Silicone Sealant): 56019-120**

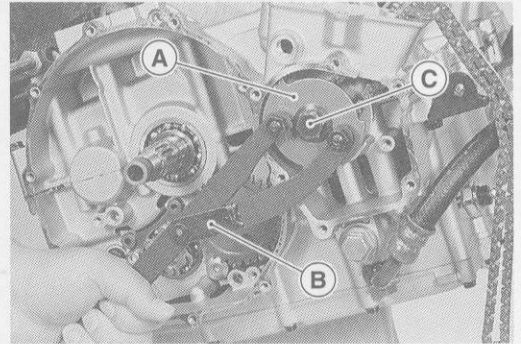
## 8-6 CRANKSHAFT / TRANSMISSION

### Crankcase Splitting

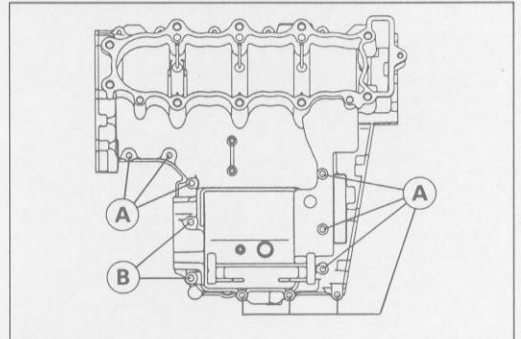
#### Crankcase Splitting

- Remove the engine (see Engine Removal/Installation chapter).
- Set the engine on a clean surface and hold the engine steady while parts are being removed.
- Remove:
  - Pickup Coil (see Electrical System chapter)
  - Oil Hose (Cylinder Head ~ Lower Crankcase)
  - Clutch (see Clutch chapter)
  - External Shift Mechanism (see External Shift Mechanism Removal)
  - Starter Motor (see Electrical System chapter)
  - Oil Pump (see Engine Lubrication System chapter)
  - Alternator Rotor (see Electrical System chapter)
  - Oil Filter (see Engine Lubrication System chapter)
  - Oil Cooler (see Engine Lubrication System chapter)
- ★ If the crankshaft is to be removed, remove the pistons (see Engine Top End chapter).
- Hold the timing rotor [A] steady with the holder [B], and remove the timing rotor bolt [C] and the rotor.

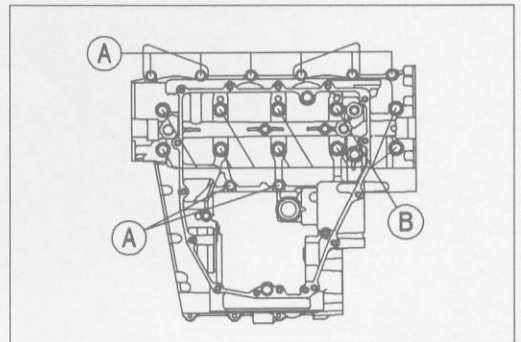
**Special Tool – Flywheel & Pulley Holder: 57001-1343**



- Remove the upper crankcase bolts.
- First loosen the 6 mm bolts.
  - 6 mm Bolts [A]
  - 7 mm Bolts [B]



- Remove the oil pan, O-rings (2), oil screen and oil pipes (see Engine Lubrication System chapter).
- Remove the lower crankcase bolts and brackets.
- First loosen the 6 mm bolts.
  - 6 mm Bolts [A]
  - 8 mm Bolts [B]
- Tap lightly around the crankcase mating surface with a plastic mallet, and split the crankcase. Take care not to damage the crankcase.



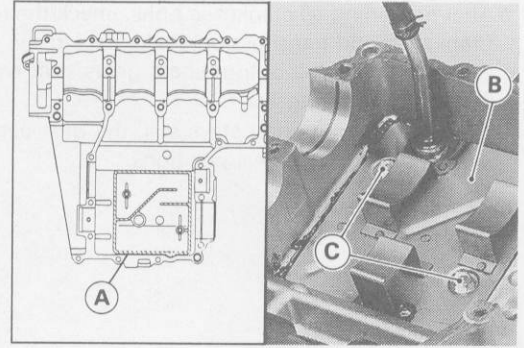
#### Crankcase Assembly

##### CAUTION

The upper and lower crankcase halves are machined at the factory in the assembled state, so the crankcase halves must be replaced as a set.

- With a high-flash point solvent, clean off the mating surfaces of the crankcases halves and wipe dry.
- Using compressed air, blow out the oil passages in the crankcase halves.

- Apply silicone sealant to the breather plate mating surface [A] 1 to 1.5 mm thick, wait until sealant dries, and then install the breather plate [B].



**Sealant – Kawasaki Bond (Silicone Sealant): 56019-120**

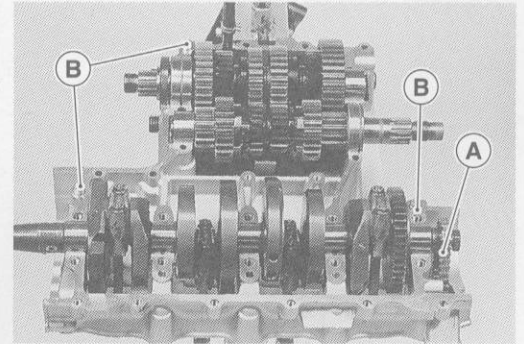
- Apply a non-permanent locking agent to the threads and tighten the bolts [C].

**Torque – Breather Plate Bolts: 9.8 N-m (1.0 kg-m, 87 in-lb)**

● Install:

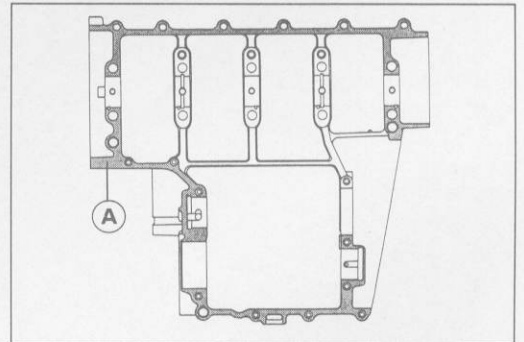
- Crankshaft and Connecting Rods
- Camshaft Chain [A]
- Transmission Shaft and Gears
- Dowel Pins [B]
- Shift Drum
- Shift Forks and Shift Rods

- Before fitting the lower case on the upper case, check the following.
  - Be sure to hang the camshaft chain on the crankshaft.
  - Check to see that the shift drum and transmission gears are in the neutral position.



- Apply liquid gasket [A] to the mating surface of the lower crankcase half.

**Sealant – Kawasaki Bond (Silicone Sealant): 56019-120**



**CAUTION**

Do not apply liquid gasket around the crankshaft main bearing inserts, and oil passage holes.

- Tighten the lower crankcase bolts.
  - Following the sequence numbers on the lower crankcase half, tighten the 8 mm bolts [1 ~ 10].

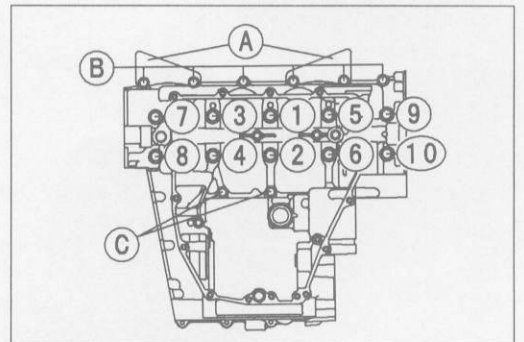
**Torque – Crankcase 8 mm Bolts: 31 N-m (3.2 kg-m, 23 ft-lb)**

- Install the brackets [A] and tighten the 6 mm bolts [B].

**Torque – Crankcase (L38 mm) 6 mm Bolts: 18 N-m (1.8 kg-m, 13.0 ft-lb)**

- Tighten the 6 mm bolts [C].

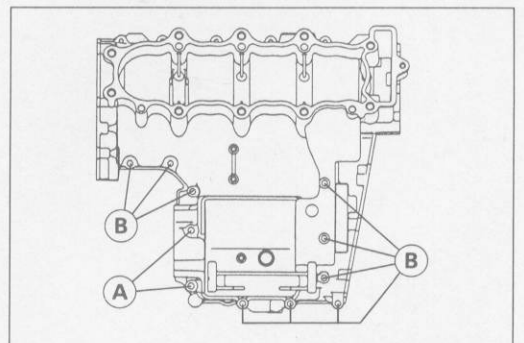
**Torque – Crankcase 6 mm Bolts: 12 N-m (1.2 kg-m, 104 in-lb)**



- Tighten the upper crankcase bolts.

**Torque – Crankcase 7 mm Bolts [A]: 20 N-m (2.0 kg-m, 14.5 ft-lb)**

**Crankcase 6 mm Bolts [B]: 12 N-m (1.2 kg-m, 104 in-lb)**



## 8-8 CRANKSHAFT / TRANSMISSION

---

- After tightening all crankcase bolts, check the following items.
- Crankshaft and transmission shafts turn freely.
- While spinning the output shaft, gears shift smoothly from the 1st to 6th gear, and 6th to 1st.
- When the output shaft stays still, the gear can not be shifted to 2nd gear or other higher gear positions.



**Crankshaft and Connecting Rods**

*Crankshaft Removal*

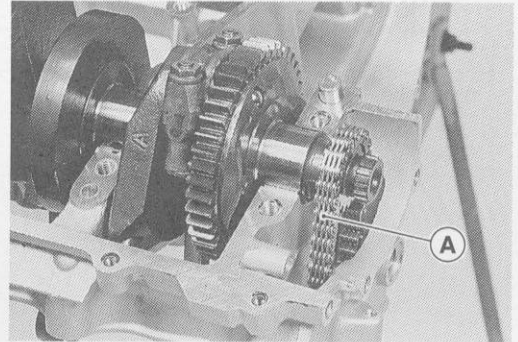
- Split the crankcase (see Crankcase Splitting).
- Remove the crankshaft.

*Crankshaft Installation*

**CAUTION**

If the crankshaft, bearing inserts, or crankcase halves are replaced with new ones, select the bearing inserts and check clearance with a plastigage (press gauge) before assembling engine to be sure the correct bearing inserts are installed.

- Apply engine oil to the crankshaft main bearing inserts.
- Install the crankshaft with the camshaft chain [A] hanging on it.



*Connecting Rod Removal*

- Split the crankcase (see Crankcase Splitting).
- Remove the connecting rod nuts.
- Remove the crankshaft.

**NOTE**

○ Mark and record the locations of the connecting rods and their big end caps so that they can be reassembled in their original positions.

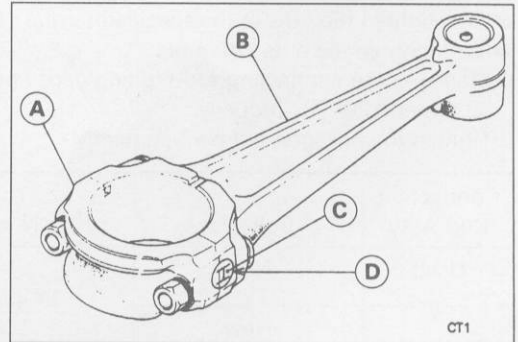
- Remove the connecting rods from the crankshaft.

*Connecting Rod Installation*

**CAUTION**

To minimize vibration, the connecting rods should have the same weight mark.

- Big End Cap [A]
- Connecting Rod [B]
- Weight Mark, Alphabet [C]
- Diameter Mark [D]



- If the connecting rods, big end bearing inserts, or crankshaft are replaced with new ones, select the bearing insert and check clearance with a plastigage (press gauge) before assembling engine to be sure the correct bearing inserts are installed.

**CAUTION**

The connecting rod bolts are designed to stretch when tightened. Never reuse them.

## 8-10 CRANKSHAFT / TRANSMISSION

- Replace the connecting rod big end bolts and nuts with new ones.
- Be sure to clean the bolts, nuts, and connecting rods thoroughly with high-flash point solvent, because the new connecting rods, bolts, and nuts are treated with an anti-rust solution.

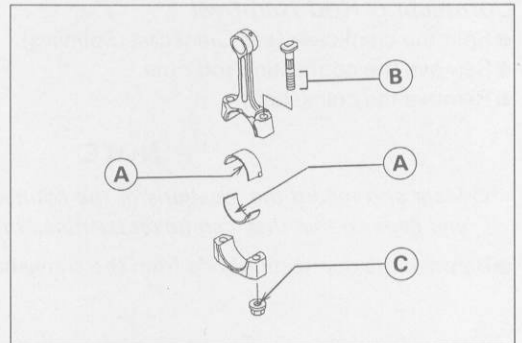
### ⚠ WARNING

Clean the bolts, nuts, and connecting rods in a well-ventilated area, and take care that there is no spark or flame anywhere near the working area. This includes any appliance with a pilot light. Because of the danger of highly flammable liquids, do not use gasoline or low-flash point solvents to clean them.

### CAUTION

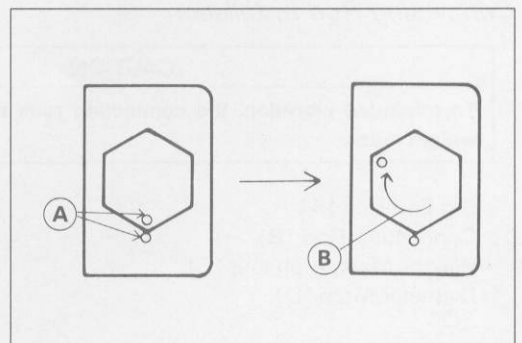
Immediately dry the bolts and nuts with compressed air after cleaning.  
Clean and dry the bolts and nuts completely.

- Apply engine oil to the inner surface of upper and lower bearing inserts [A].
- Apply a small amount of engine oil to the threads [B] and seating surface [C] of the connecting rod nuts.



- First, tighten the nuts to the specified torque. See the table below.
- Next, tighten the nuts 120° more.
- Mark [A] the connecting rod big end caps and nuts so that nuts can be turned 120° [B] properly.
- Tighten the hexagon nut by 2 corners.

Connecting Rod Assy	Bolt, Nut	Torque + Angle N-m (kg-m, ft-lb)
Used	New	24 (2.4, 17.4) + 120°
	New	
New	Attached to new con-rod	22 (2.2, 16.0) + 120°



### CAUTION

Since the friction force of the seating surface and thread portion of new nuts is different from that of used ones, the nut tightening torque should be changed as specified in the above table.  
Be careful not to overtighten the nuts.

**Crankshaft/Connecting Rod Cleaning**

- After removing the connecting rods from the crankshaft, clean them with a high-flash point solvent.
- Blow the crankshaft oil passages with compressed air to remove any foreign particles or residue that may have accumulated in the passages.

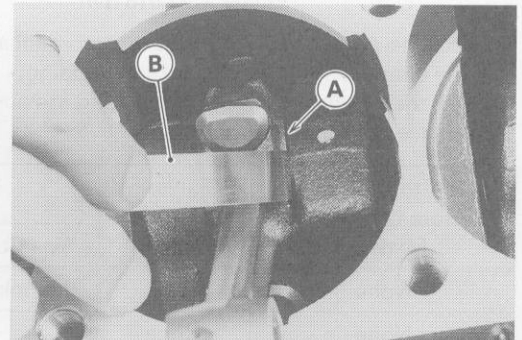
**Connecting Rod Big End Side Clearance**

- Measure connecting rod big end side clearance [A].
- Insert a thickness gauge [B] between the big end and either crank web to determine clearance.

**Connecting Rod Big End Side Clearance**

**Standard:** 0.13 ~ 0.33 mm  
**Service Limit:** 0.5 mm

- ★ If the clearance exceeds the service limit, replace the connecting rod with new one and then check clearance again. If clearance is too large after connecting rod replacement, the crankshaft also must be replaced.

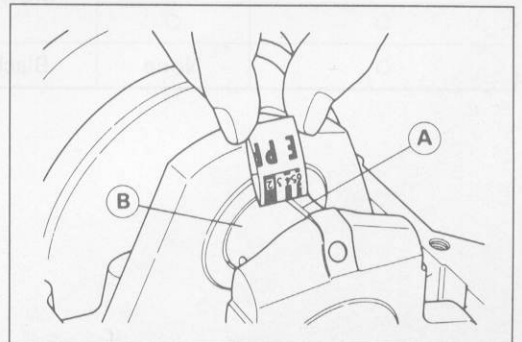


**Connecting Rod Big End Bearing Insert/Crankpin Wear**

- Using a plastigage (press gauge) [A], measure the bearing insert/crankpin [B] clearance.

**NOTE**

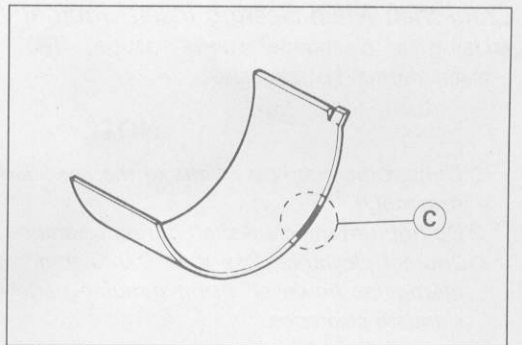
- Tighten the connecting rod big end nuts to the specified torque (see Connecting Rod Installation).
- Do not move the connecting rod and crankshaft during clearance measurement.



**Connecting Rod Big End Bearing Insert/Crankpin Clearance**

**Standard:** 0.031 ~ 0.059 mm  
**Service Limit:** 0.10 mm

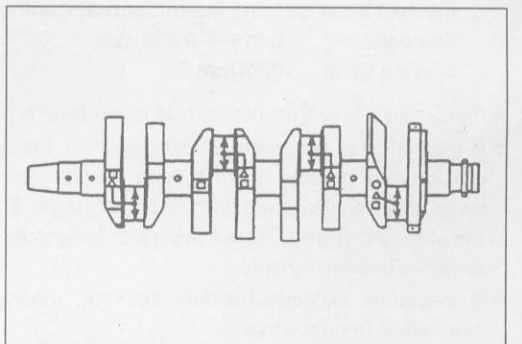
- ★ If clearance is within the standard, no bearing replacement is required.
- ★ If clearance is between 0.060 mm and the service limit (0.10 mm), replace the bearing inserts with inserts painted black [C]. Check insert/crankpin clearance with the plastigage. The clearance may exceed the standard slightly, but it must not be less than the minimum in order to avoid bearing seizure.
- ★ If the clearance exceeds the service limit, measure the diameter of the crankpins.



**Crankpin Diameter**

**Standard:** 28.984 ~ 30.000 mm  
**Service Limit:** 29.97 mm

- ★ If any crankpin has worn past the service limit, replace the crankshaft with a new one.
- ★ If the measured crankpin diameters are not less than the service limit, but do not coincide with the original diameter markings on the crankshaft, make new marks on it.



**Crankpin Diameter Marks**

**None** 29.984 ~ 29.994 mm  
 ○ 29.995 ~ 30.000 mm

△: Crankpin Diameter Marks, "○" mark or no mark.

## 8-12 CRANKSHAFT / TRANSMISSION

- Measure the connecting rod big end bore diameter, and mark each connecting rod big end in accordance with the bore diameter.

Bore Diameter Mark (Around Weight Mark) [A]: "○" or no mark.

### NOTE

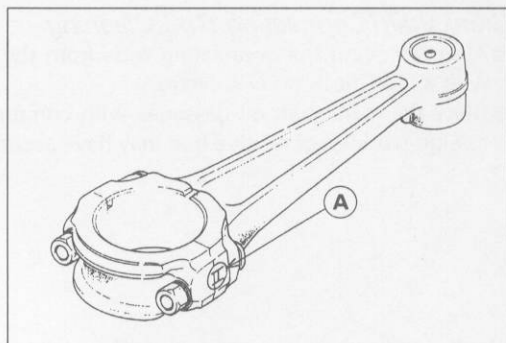
- Tighten the connecting rod big end nuts to the specified torque (see *Connecting Rod Installation*).
- The mark already on the big end should almost coincide with the measurement.

### Connecting Rod Big End Bore Diameter Marks

None	33.000 ~ 33.008 mm
○	33.009 ~ 33.016 mm

- Select the proper bearing insert in accordance with the combination of the connecting rod and crankshaft coding.
- Install the new inserts in the connecting rod and check insert/crankpin clearance with the plastigage.

Con-rod Big End Bore Diameter Marking	Crankpin Diameter Marking	Bearing Insert	
		Size Color	Part Number
None	○	Pink	92028-1880
None	None	Brown	92028-1879
○	○		
○	None	Black	92028-1878

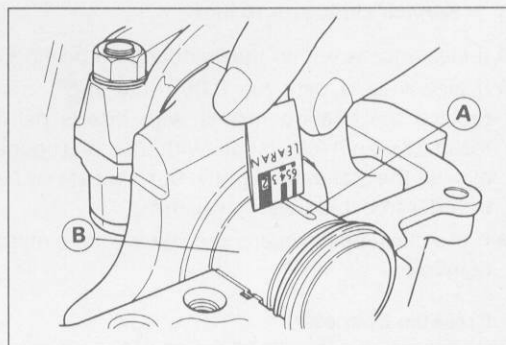


### Crankshaft Main Bearing Insert/Journal Wear

- Using a plastigage (press gauge) [A], measure the bearing insert/journal [B] clearance.

### NOTE

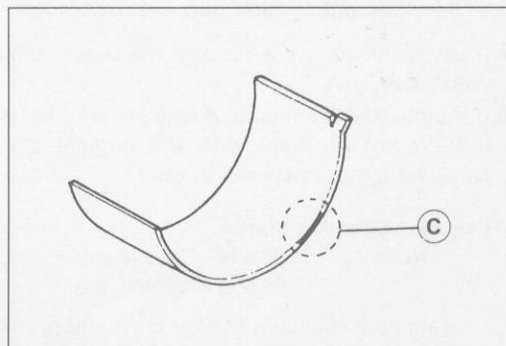
- Tighten the crankcase bolts to the specified torque (see *Crankcase Assembly*).
- Do not turn the crankshaft during clearance measurement.
- Journal clearance less than 0.025 mm can not be measured by plastigage, however, using genuine parts maintains the minimum standard clearance.



### Crankshaft Main Bearing Insert/Journal Clearance

Standard:	0.014 ~ 0.038 mm
Service Limit:	0.07 mm

- ★ If clearance is within the standard, no bearing replacement is required.
- ★ If clearance is between 0.039 mm and the service limit (0.07 mm), replace the bearing inserts with inserts painted blue [C]. Check insert/journal clearance with the plastigage. The clearance may exceed the standard slightly, but it must not be less than the minimum in order to avoid bearing seizure.
- ★ If clearance exceeds the service limit, measure the diameter of the crankshaft main journal.



**Crankshaft Main Journal Diameter**

**Standard:** 29.984 ~ 30.000 mm

**Service Limit:** 29.96 mm

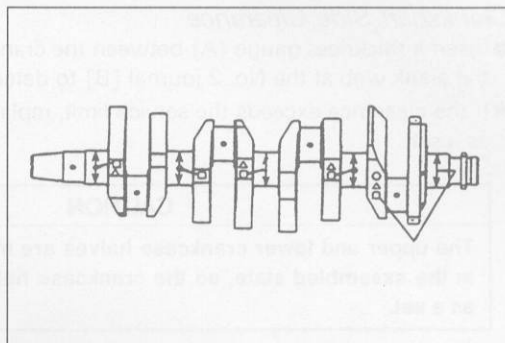
- ★ If any journal has worn past the service limit, replace the crankshaft with a new one.
- ★ If the measured journal diameters are not less than the service limit, but do not coincide with the original diameter markings on the crankshaft, make new marks on it.

**Crankshaft Main Journal Diameter Marks**

**None** 29.984 ~ 29.994 mm

**1** 29.995 ~ 30.000 mm

□: Crankshaft Main Journal Diameter Marks, "1" mark or no mark.

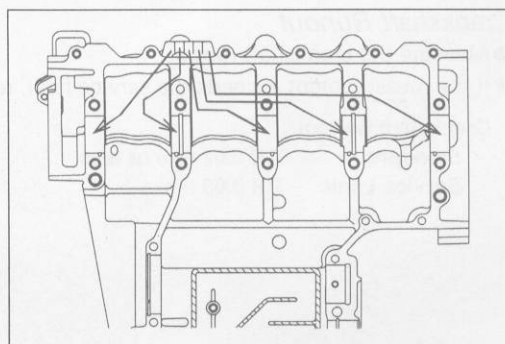


- Measure the main bearing bore diameter, and mark the upper crankcase half in accordance with the bore diameter.

○: Crankcase Main Bearing Bore Diameter Marks, "○" mark or no mark.

**NOTE**

- Tighten the crankcase bolts to the specified torque (see Crankcase Assembly).
- The mark already on the upper crankcase half should almost coincide with the measurement.



**Crankcase Main Bearing Bore Diameter Marks**

○ 33.000 ~ 33.008 mm

**None** 33.009 ~ 33.016 mm

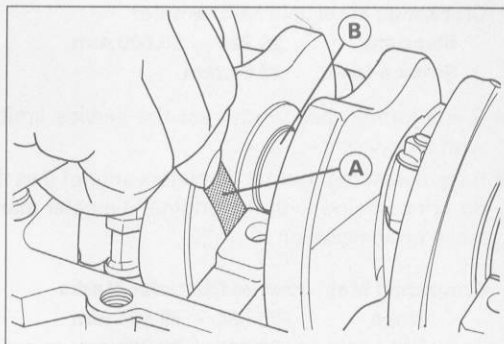
- Select the proper bearing insert in accordance with the combination of the crankcase and crankshaft coding.
- Install the new inserts in the crankcase halves and check insert/journal clearance with the plastigage.

Crankcase Main Bearing Bore Diameter Marking	Crankshaft Main Journal Diameter Marking	Bearing Insert*		
		Size Color	Part Number	Journal Nos.
○	1	Brown	92028-1883	3, 5
			92028-1886	1, 2, 4
None	1	Black	92028-1882	3, 5
			92028-1885	1, 2, 4
None	None	Blue	92028-1881	3, 5
			92028-1884	1, 2, 4

\*The bearing inserts for Nos. 1, 2 and 4 journals have an oil groove, respectively.

### *Crankshaft Side Clearance*

- Insert a thickness gauge [A] between the crankcase main bearing and the crank web at the No. 2 journal [B] to determine clearance.
- ★ If the clearance exceeds the service limit, replace the crankcase halves as a set.



#### **CAUTION**

The upper and lower crankcase halves are machined at the factory in the assembled state, so the crankcase halves must be replaced as a set.

### **Crankshaft Side Clearance**

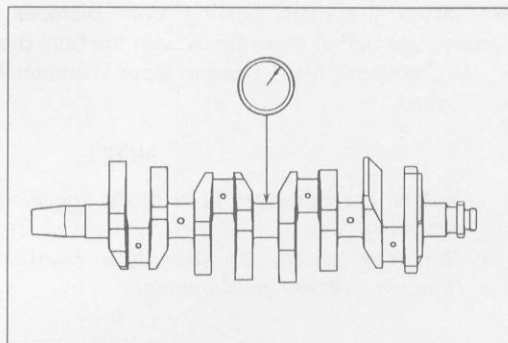
- Standard:** 0.05 ~ 0.20 mm  
**Service Limit:** 0.40 mm

### *Crankshaft Runout*

- Measure the crankshaft runout.
- ★ If the measurement exceeds the service limit, replace the crankshaft.

### **Crankshaft Runout**

- Standard:** TIR 0.02 mm or less  
**Service Limit:** TIR 0.05 mm



## Transmission

### Shift Pedal Removal

- Mark the position of the shift lever on the shift shaft so that it can be installed later in the same position.
- Remove the shift lever and shift pedal.

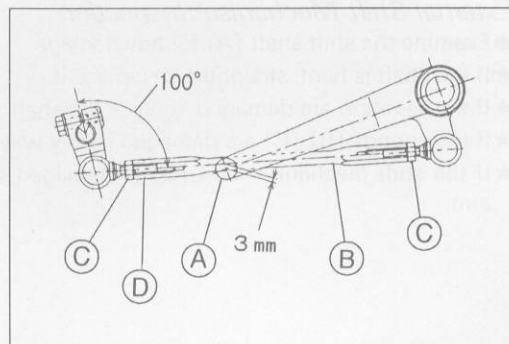
### Shift Pedal Installation

- Install the shift pedal [A] so that the distance between the center of the shift pedal and the center line of the shift rod [B] is about 3 mm by loosening the front and rear locknuts [C] and turning the rod.

#### NOTE

○ The locknut next to the groove [D] of the rod has left-hand threads.

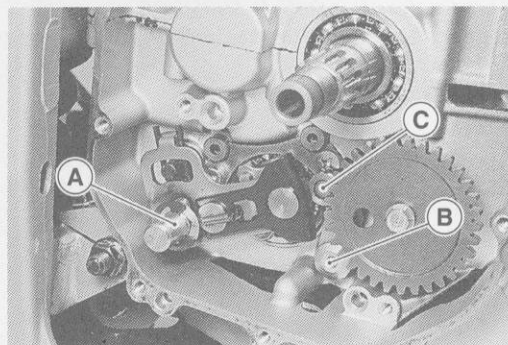
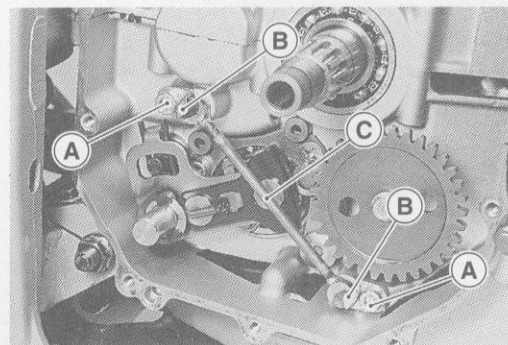
- ★ If necessary, adjust the pedal position from the standard position to suit you as follows.
  - Loosen the front and rear rod locknuts.
  - Turn the rod to adjust the pedal position.
  - Tighten the locknuts securely.



### External Shift Mechanism Removal

- Remove:
  - Engine Oil (drain, see Engine Lubrication System chapter)
  - Shift Pedal (see Shift Pedal Removal)
  - Clutch (see Clutch chapter)
  - Bolts [A], Oil Pipe Holders [B], Oil Pipe [C] and O-ring

- Remove:
  - Shift Shaft [A]
  - Bolt [B]
  - Gear Positioning Lever [C] and Spring



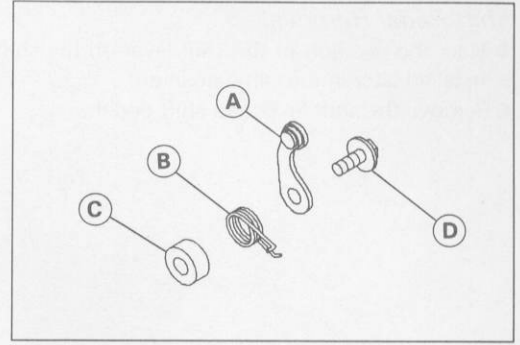
### External Shift Mechanism Installation

- Install the gear positioning lever [A] as shown, and tighten the bolt.  
Springs [B] Collar [C]  
Bolt [D]

**Torque – Gear Positioning Lever Bolt: 13 N-m (1.3 kg-m, 113 in-lb)**

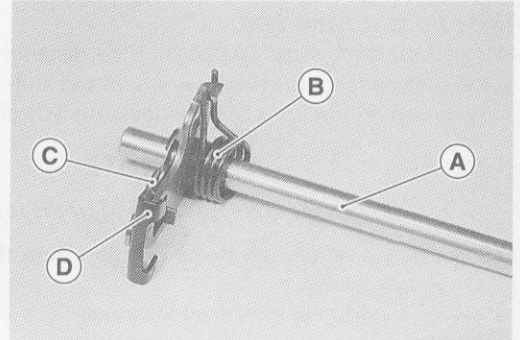
- Tighten the oil pipe holder bolts.

**Torque – Oil Pipe Holder Bolts: 13 N-m (1.3 kg-m, 113 in-lb)**



### External Shift Mechanism Inspection

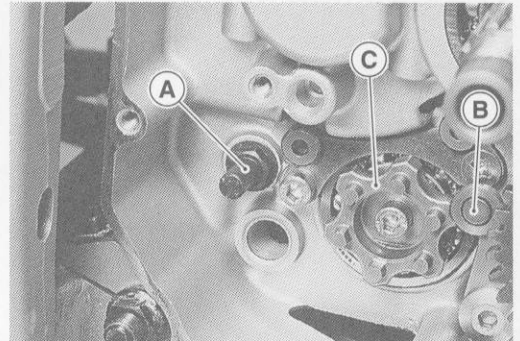
- Examine the shift shaft [A] for any damage.
- ★ If the shaft is bent, straighten or replace it.
- ★ If the serration are damaged, replace the shaft.
- ★ If the springs [B] [C] are damaged in any way, replace them.
- ★ If the shift mechanism arm [D] is damaged in any way, replace the arm.



- Check the return spring pin [A] is not loose.
- ★ If it is loose, unscrew it, apply a non-permanent locking agent to the threads, and tighten it.

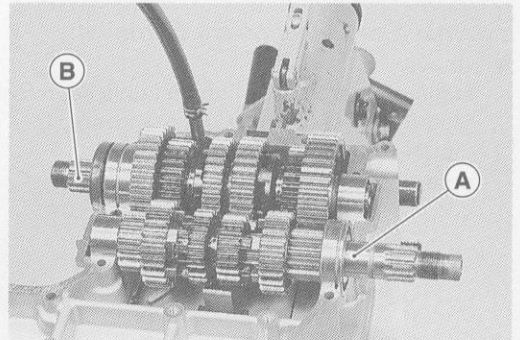
**Torque – Shift Shaft Return Spring Pin: 28 N-m (2.9 kg-m, 21 ft-lb)**

- Check the gear positioning lever [B] and its spring for breaks or distortion.
- ★ If the lever or spring are damaged in any way, replace them.
- Visually inspect the shift drum cam [C].
- ★ If it is badly worn or if it shows any damage, replace it.



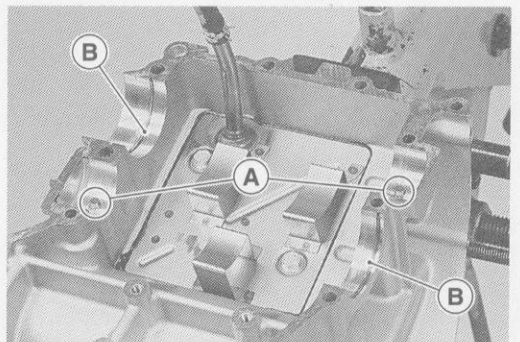
### Transmission Shaft Removal

- Split the crankcase (see Crankcase Splitting).
- Remove the drive shaft [A] and output shaft [B].



### Transmission Shaft Installation

- Check to see that the set pins [A] and set rings [B] are in place.





- Install the drive shaft and output shaft into the upper crankcase half.
- Apply engine oil to the sliding surfaces of the gears and bearings.
- The bearing set pins and rings must match properly with the holes or grooves in the bearing outer races. When they are properly matched, there is no clearance between the crankcase and the bearing outer races.

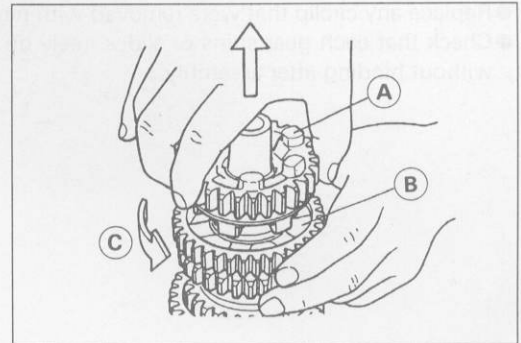
CAUTION  
Do not apply grease to the steel balls to hold them in place. This will cause the positive neutral finder mechanism to malfunction.

**Transmission Disassembly**

- Remove the transmission shafts (see Transmission Shaft Removal).
- Remove the circlips, disassemble the transmission shafts.

**Special Tool – Outside Circlip Pliers: 57001-144**

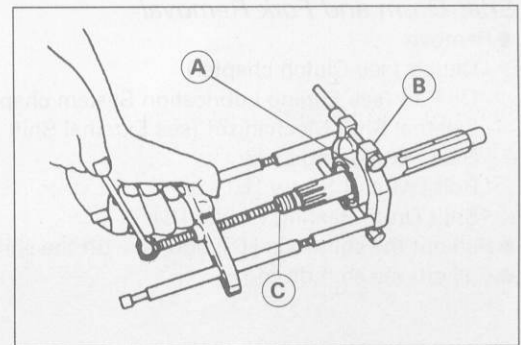
- The 5th gear [A] on the output shaft has three steel balls assembled into it for the positive neutral finder mechanism. Remove the 5th gear.
- Set the output shaft in a vertical position holding the 3rd gear [B].
- Spin the 5th gear quickly [C] and pull it off upward.



- Remove the ball bearing [A] from each shafts.

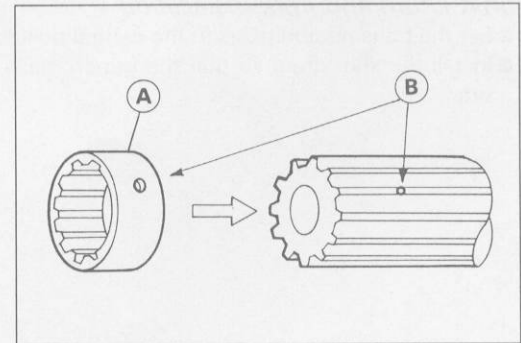
**Special Tools – Bearing Puller: 57001-135 [B]  
Bearing Puller Adapter: 57001-317 [C]**

- Discard the bearing.



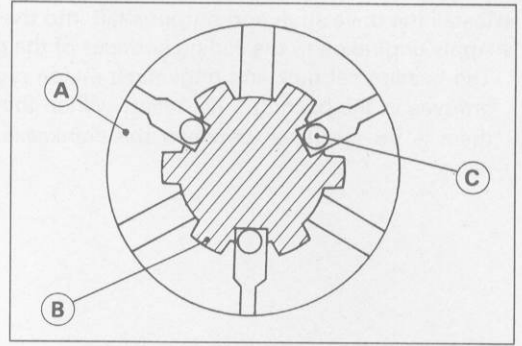
**Transmission Assembly**

- Install the 6th gear bushing [A] onto the drive shaft with their oil holes [B] aligned.
- Install the 3rd/4th gear bushing onto the output shaft with their oil holes aligned.



- The drive shaft gears can be recognized by size: the gear with the smallest diameter is 1st gear, and the largest one is 6th gear. Be sure that all parts are put back in the correct sequence and all circlips and washers are properly in place.
- Install the 3rd/4th gear onto the drive shaft with their holes aligned.
- The output shaft gears can be recognized by size: the gear with the largest diameter is 1st gear, and the smallest one is 6th gear. Be sure that all parts are put back in the correct sequence and all circlips and washers are properly in place.
- Install the 5th and 6th gears onto the output shaft with their holes aligned.

- Fit the steel balls into the 5th gear holes in the output shaft as shown. View A – A' (see the output shaft illustration)
  - [A] Gear (5th)
  - [B] Shaft
  - [C] Steel Balls



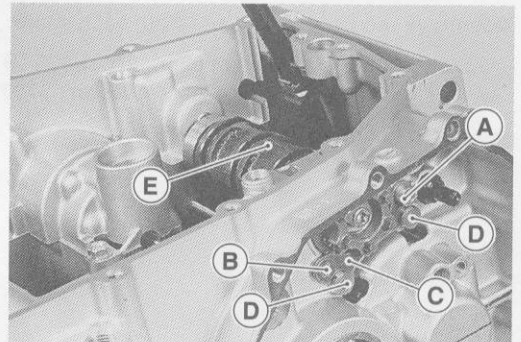
### CAUTION

**Do not apply grease to the steel balls to hold them in place. This will cause the positive neutral finder mechanism to malfunction.**

- Check the ball-locking effect that the 5th gear does not come out of the output shaft when moving it up and down by hand.
- Replace any circlip that were removed with new ones.
- Check that each gear spins freely on the transmission shafts without binding after assembly.

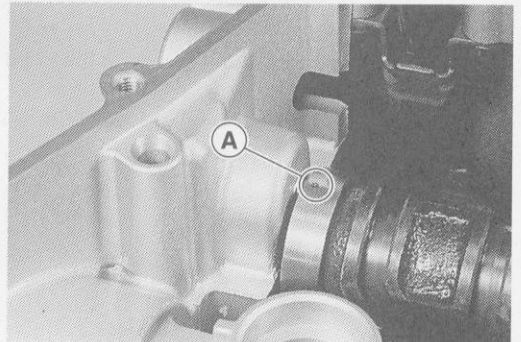
## Shift Drum and Fork Removal

- Remove:
  - Clutch (see Clutch chapter)
  - Oil Pan (see Engine Lubrication System chapter)
  - External Shift Mechanism (see External Shift Mechanism Removal)
  - Gear Positioning Lever
  - Bolt [A] and Screw [B]
  - Shift Drum Bearing Holder [C]
- Pull out the shift rods [D], and take off the shift forks.
- Pull out the shift drum [E].



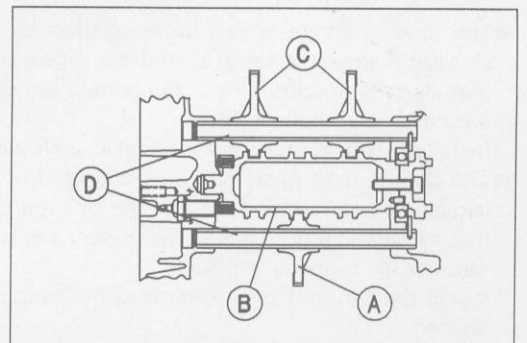
## Shift Drum and Fork Installation

- Set the transmission gears in the neutral position.
- Install the shift drum so that the punch mark [A] on it faces oil pan side.



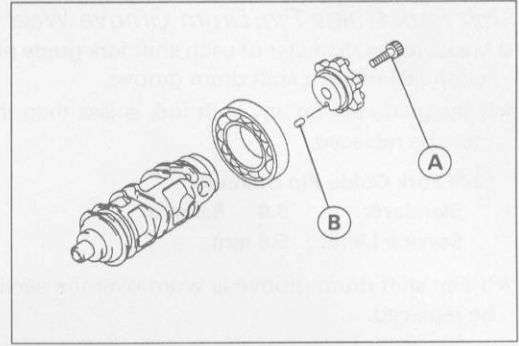
- Install the forks as shown.
- Position the one with shortest ears [A] on the drive shaft and place the pin in the center groove in the shift drum [B].
- The two forks [C] on the output shaft are identical.
- Install the shift rods [D], noting the groove position. The rods are identical.
- Apply a non-permanent locking agent to the threads of the shift drum bearing holder screw, and tighten it and bolt.

**Torque – Shift Drum Bearing Holder Bolt: 13 N-m (1.3 kg-m, 113 in-lb)**  
**Shift Drum Bearing Holder Screw: 5.4 N-m (0.55 kg-m, 48 in-lb)**



**Shift Drum Disassembly**

- Remove the shift drum (see Shift Drum and Fork Removal).
- While holding the shift drum with a vise, remove the shift drum cam holder bolt.
  - [A] Shift Drum Cam Holder Bolt
  - [B] Dowel Pin



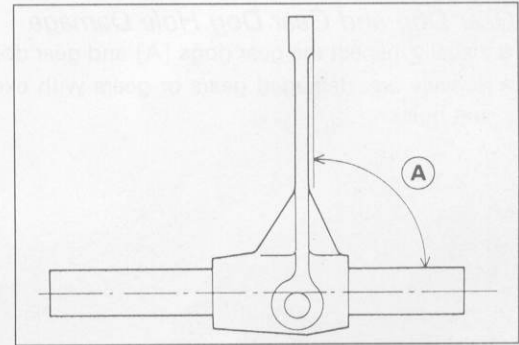
**Shift Drum Assembly**

- Be sure to install the dowel pin.
- Apply a non-permanent locking agent to the threads of the shift drum cam holder bolt, and tighten it.

**Torque – Shift Drum Cam Holder Bolt: 12 N-m (1.2 kg-m, 104 in-lb)**

**Shift Fork Bending**

- Visually inspect the shift forks, and replace any fork that is bent. A bent fork could cause difficulty in shifting, or allow the transmission to jump out of gear when under power.
  - 90° [A]



**Shift Fork/Gear Groove Wear**

- Measure the thickness of the shift fork ears [A], and measure the width [B] of the gear grooves.
- ★ If the thickness of a shift fork ear is less than the service limit, the shift fork must be replaced.

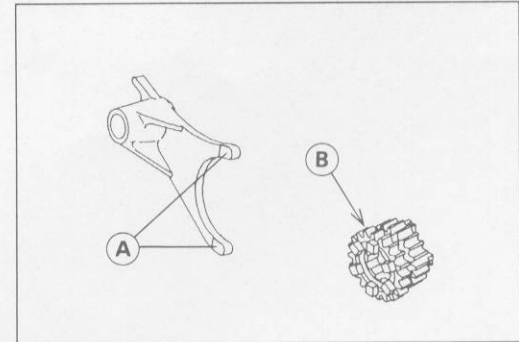
**Shift Fork Ear Thickness**

**Standard:** 5.9 ~ 6.0 mm  
**Service Limit:** 5.8 mm

- ★ If the gear groove is worn over the service limit, the gear must be replaced.

**Gear Groove Width**

**Standard:** 6.05 ~ 6.15 mm  
**Service Limit:** 6.25 mm



### Shift Fork Guide Pin/Drum Groove Wear

- Measure the diameter of each shift fork guide pin [A], and measure the width [B] of each shift drum groove.
- ★ If the guide pin on any shift fork is less than the service limit, the fork must be replaced.

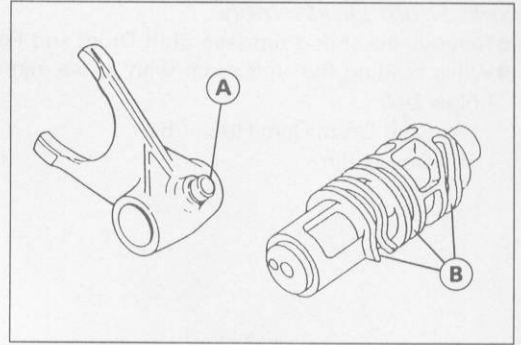
#### Shift Fork Guide Pin Diameter

<b>Standard:</b>	5.9 ~ 6.0 mm
<b>Service Limit:</b>	5.8 mm

- ★ If any shift drum groove is worn over the service limit, the drum must be replaced.

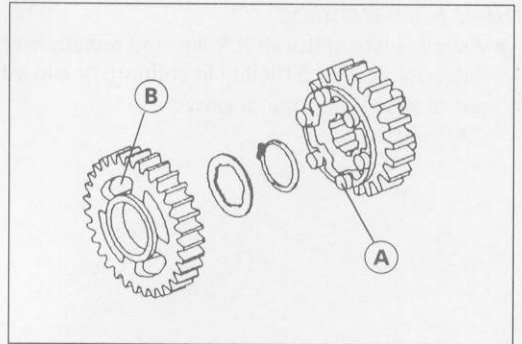
#### Shift Drum Groove Width

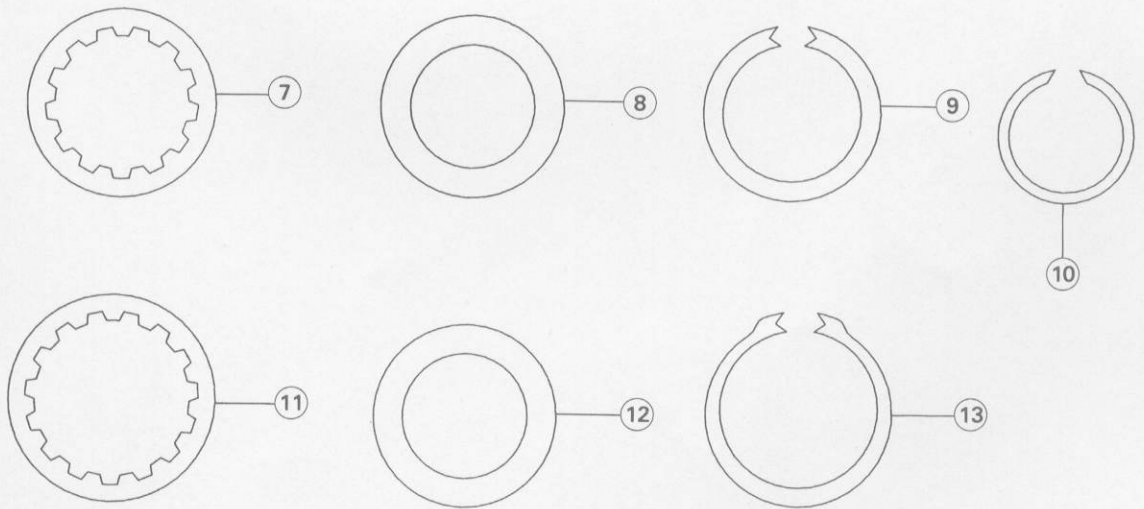
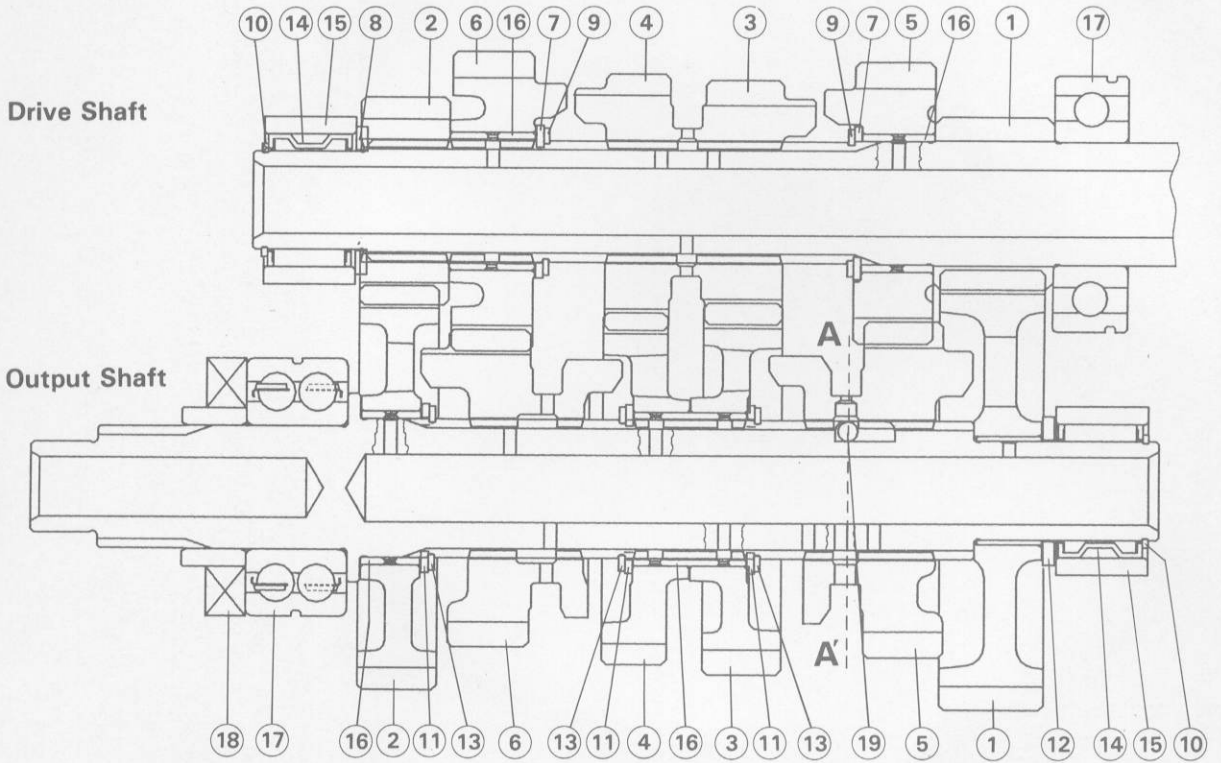
<b>Standard:</b>	6.05 ~ 6.20 mm
<b>Service Limit:</b>	6.3 mm



### Gear Dog and Gear Dog Hole Damage

- Visually inspect the gear dogs [A] and gear dog holes [B].
- ★ Replace any damaged gears or gears with excessively worn dogs or dog holes.





- |                   |                           |                        |
|-------------------|---------------------------|------------------------|
| 1. 1st Gear       | 8. Thrust Washer (Thin)   | 15. Bearing Outer Race |
| 2. 2nd Gear       | 9. Circlip                | 16. Bushing            |
| 3. 3rd Gear       | 10. Circlip               | 17. Ball Bearing       |
| 4. 4th Gear       | 11. Toothed Washer        | 18. Oil Seal           |
| 5. 5th Gear       | 12. Thrust Washer (Thick) | 19. Steel Ball         |
| 6. 6th (Top) Gear | 13. Circlip               |                        |
| 7. Toothed Washer | 14. Needle Bearing        |                        |

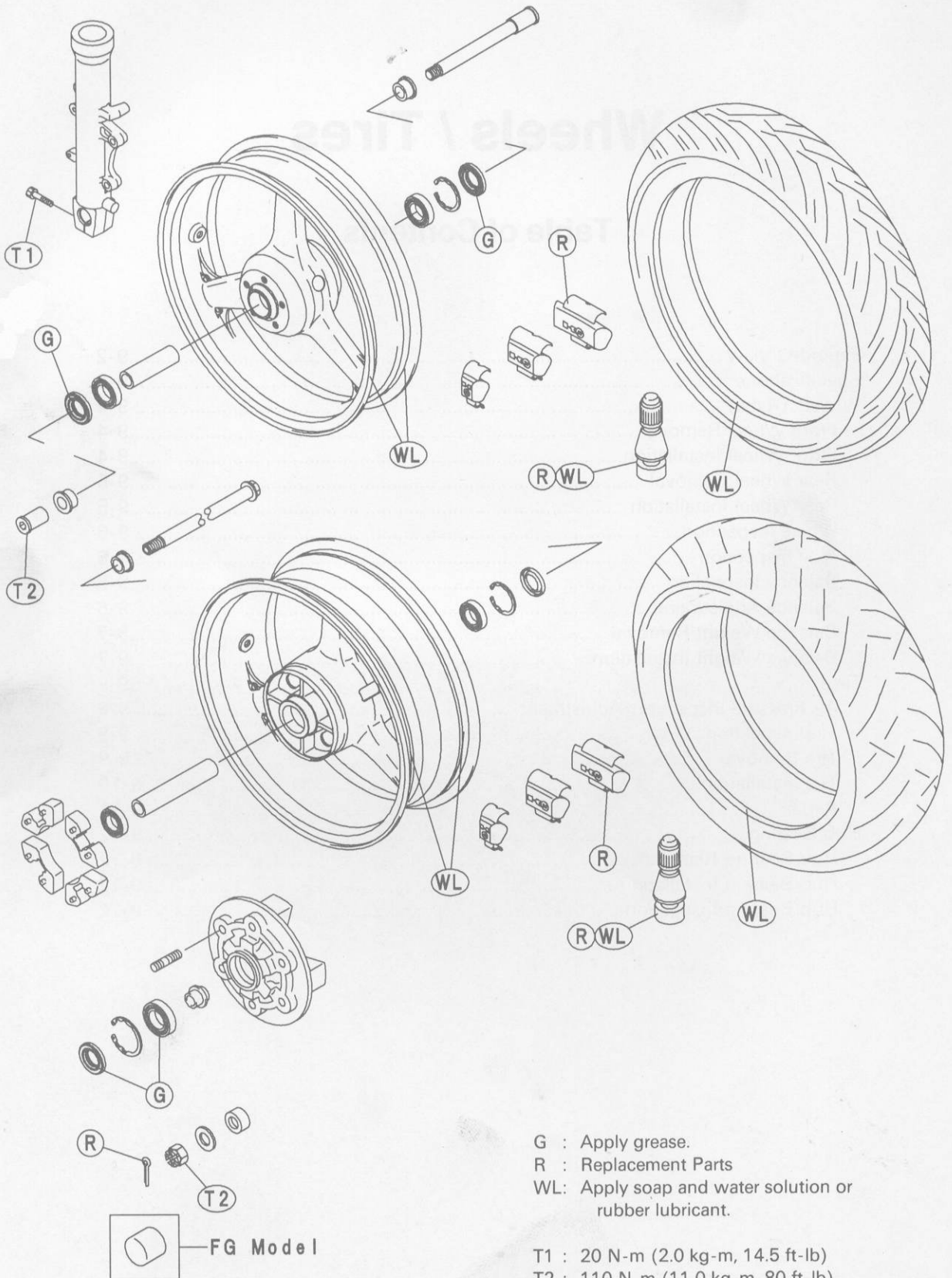
# Wheels / Tires

## Table of Contents

Exploded View .....	9-2
Specifications .....	9-3
Wheels (Rims) .....	9-4
Front Wheel Removal .....	9-4
Front Wheel Installation.....	9-4
Rear Wheel Removal .....	9-5
Rear Wheel Installation.....	9-5
Wheel Inspection .....	9-6
Axle Inspection .....	9-6
Balance Inspection .....	9-6
Balance Adjustment.....	9-6
Balance Weight Removal .....	9-7
Balance Weight Installation.....	9-7
Tires .....	9-9
Air Pressure Inspection/Adjustment.....	9-9
Tire Inspection .....	9-9
Tire Removal .....	9-9
Tire Installation.....	9-10
Repair .....	9-11
Hub Bearing .....	9-12
Hub Bearing Removal .....	9-12
Hub Bearing Installation.....	9-12
Hub Bearing Inspection.....	9-12

# 9-2 WHEELS / TIRES

## Exploded View



G : Apply grease.  
R : Replacement Parts  
WL: Apply soap and water solution or rubber lubricant.

T1 : 20 N-m (2.0 kg-m, 14.5 ft-lb)  
T2 : 110 N-m (11.0 kg-m, 80 ft-lb)

FG : Germany

**Specifications**

Item		Standard	Service Limit
<b>Wheels (Rims):</b>			
Rim runout:	Axial	---	0.5 mm
	Radial	---	0.8 mm
Axle runout/100 mm		0.05 mm or less	0.2 mm
Wheel balance		10 g or less	---
Balance weights		10 g, 20 g, 30 g	---
<b>Tires:</b>			
Air pressure: (when cold)			
	Front	Up to 178 kg (392 lb) load: 250 kPa (2.5 kg/cm <sup>2</sup> 36 psi)	---
	Rear	Up to 178 kg (392 lb) load: 290 kPa (2.9 kg/cm <sup>2</sup> , 41 psi)	---
Tread depth:			
	Front	DUNLOP: 4.0 mm BRIDGESTONE: 4.3 mm	1 mm (FG, AR, ST) 1.6 mm
	Rear	DUNLOP: 5.4 mm BRIDGESTONE: 6.2 mm	Up to 130 km/h (80 mph): 2 mm Over 130 km/h (80 mph): 3 mm
Standard tires: (tubeless)		Make, Type	Size
	Front	DUNLOP, D204FJ BRIDGESTONE, BATTLAX BT-56FG RADIAL	120/60 ZR17(55 W)
	Rear	DUNLOP, D204J BRIDGESTONE, BATTLAX BT-56R RADIAL	170/60 ZR17 (72 W)

- Special Tools – Jack: 57001-1238**  
**Inside Circlip Pliers: 57001-143**  
**Bearing Driver Set: 57001-1129**  
**Bearing Remover Shaft,  $\Phi$ 13: 57001-1377**  
**Bearing Remover Head,  $\Phi$ 25 x  $\Phi$ 28: 57001-1346**

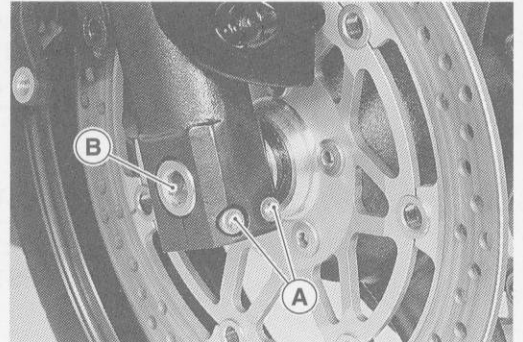
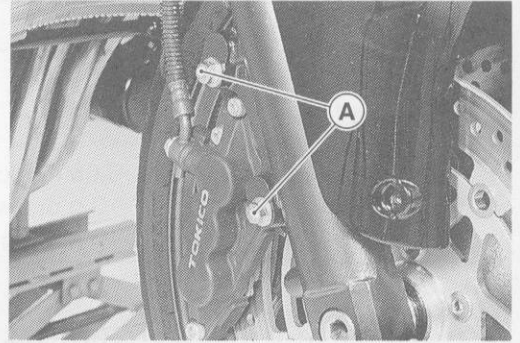


## 9-4 WHEELS / TIRES

### Wheels (Rims)

#### Front Wheel Removal

- Remove:
  - Lower Fairings (see Frame chapter)
  - Brake Caliper Mounting Bolts [A]
  
- Loosen:
  - Right Side Axle Clamp Bolts [A]
  - Axle [B]
  
- Raise the front wheel off the ground.
  - Special Tool – Jack: 57001-1238**
- Pull out the axle to the right and drop the front wheel out of the forks.

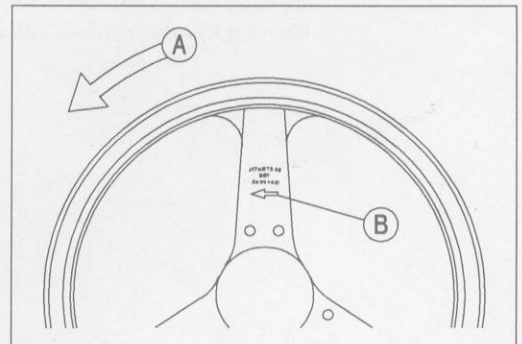


<b>CAUTION</b>
Do not lay the wheel down on one of the discs. This can damage or warp the disc. Place blocks under the wheel so that the disc does not touch the ground.

#### Front Wheel Installation

##### NOTE

- The direction of the wheel rotation [A] is shown by an arrow [B] on the wheel spoke.
  - Check the wheel rotation mark on the front wheel and install it.
  - Fit the collars on the both sides of the hub.
  - Tighten the axle nut and axle clamp bolt.
- Torque – Front Axle Nut: 110 N-m(11.0 kg-m, 80 ft-lb)**  
**Front Axle Clamp Bolts: 20 N-m(2.0 kg-m, 14.5 ft-lb)**
- Install the front brake caliper (see Brakes chapter).
  - Check the front brake.

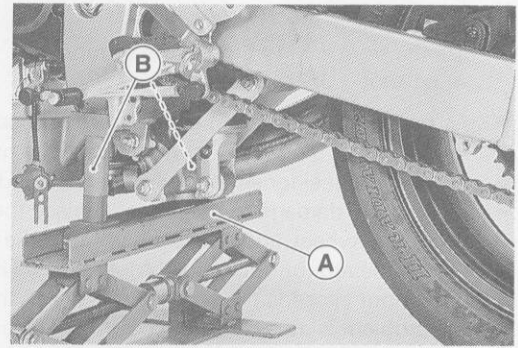


<b>⚠ WARNING</b>
Do not attempt to drive the motorcycle until a full brake lever is obtained by pumping the brake lever until the pads are against the disc. The brake will not function on the first application of the lever if this is not done.

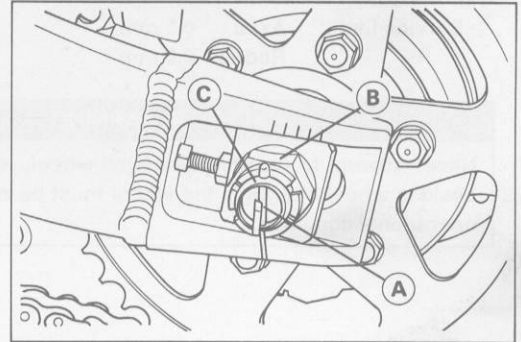
### Rear Wheel Removal

- Remove the lower fairings (see Frame chapter).
- Using the jack [A], raise the rear wheel off the ground.
- Adjust the length of the jack legs [B], situate the motorcycle so that it is perpendicular to the ground.

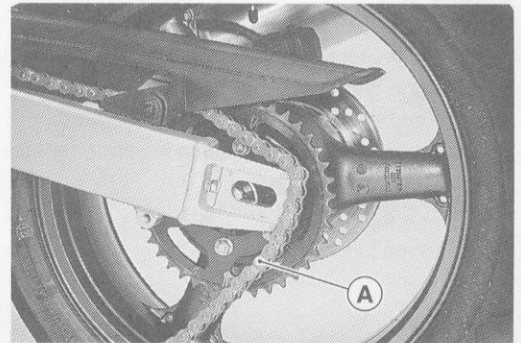
**Special Tool – Jack: 57001-1238**



- Remove:
  - Cotter Pin [A]
  - Axle Nut [B]
  - Axle [C]



- Remove the drive chain [A] from the rear sprocket toward the left.
- Move the rear wheel back and remove the wheel from the rear caliper.
- Remove the rear wheel.



#### CAUTION

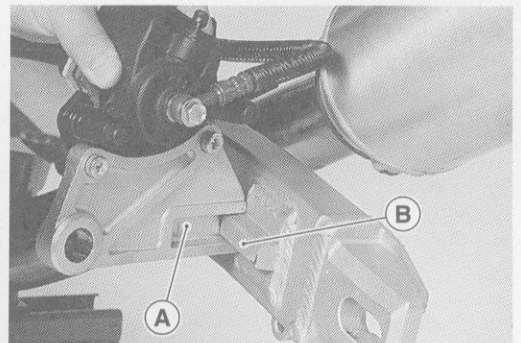
Do not lay the wheel on the ground with the disc facing down. This can damage or warp the disc. Place blocks under the wheel so that the disc does not touch the ground.

### Rear Wheel Installation

- Engage the drive chain with the rear sprocket.
- Install the caliper bracket [A] onto the swingarm stop [B].
- Insert the axle from the right side of the wheel, and tighten the axle nut.

**Torque – Rear Axle Nut: 110 N-m (11.0 kg-m, 80 ft-lb)**

- Adjust the drive chain slack after installation (see Final Drive chapter).
- Check the rear brake.



#### ▲WARNING

Do not attempt to drive the motorcycle until a full brake pedal is obtained by pumping the brake pedal until the pads are against the disc. The brake will not function on the first application of the pedal if this is not done.

### Wheel Inspection

- Raise the front/rear wheel off the ground.

**Special Tool – Jack: 57001-1238**

- Spin the wheel lightly, and check for roughness or binding.
- ★ If roughness or binding is found, replace the hub bearings.
- Inspect the wheel for small cracks, dents, bending, or warp.
- ★ If there is any damage to the wheel, replace the wheel.
- Remove the wheel, and support it without the tire by the axle.
- Measure the rim runout, radial [A] and axial [B], with a dial gauge.
- ★ If rim runout exceeds the service limit, check the hub bearings.
- ★ If the problem is not due to the bearings, replace the wheel.

#### Rim Runout

<b>Service Limit:</b>	<b>Axial</b>	<b>0.5 mm</b>
	<b>Radial</b>	<b>0.8 mm</b>

#### ⚠ WARNING

**Never attempt to repair a damaged wheel. If there is any damage besides wheel bearings, the wheel must be replaced to insure safe operational condition.**

### Axle Inspection

- Visually inspect the front and rear axle for damages.
- ★ If the axle is damaged or bent, replace it.
- Measure the axle runout with a dial gauge.
- ★ If axle runout exceeds the service limit, replace the axle.

#### Axle Runout/100 mm

<b>Standard:</b>	<b>0.05 mm or less</b>
<b>Service Limit:</b>	<b>0.2 mm</b>

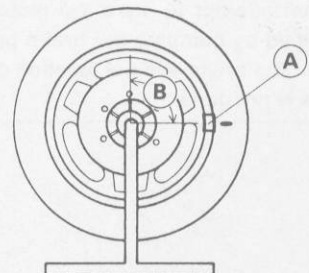
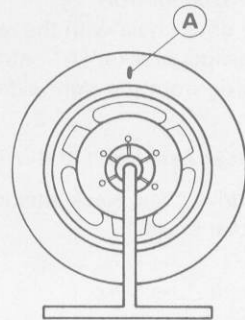
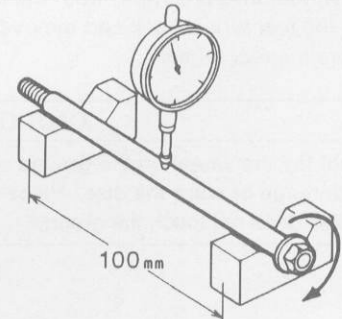
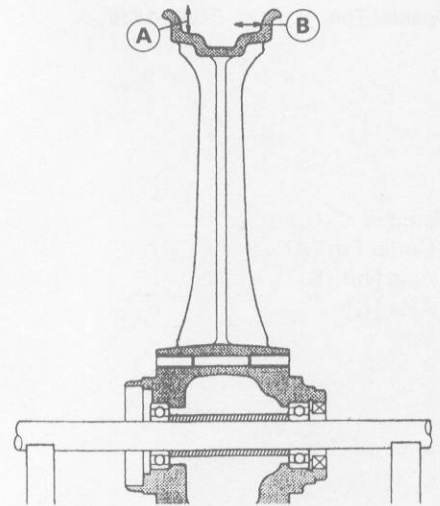
### Balance Inspection

- Remove the wheel.
- Support the wheel so that it can be spun freely.
- Spin the wheel lightly, and mark [A] the wheel at the top when the wheel stops.
- Repeat this procedure several times. If the wheel stops of its own accord in various positions, it is well balanced.
- ★ If the wheel always stops in one position, adjust the wheel balance.

### Balance Adjustment

- If the wheel always stops in one position, provisionally attach a balance weight [A] on the rim at the marking using adhesive tape.
- Rotate the wheel ¼ turn [B], and see whether or not the wheel stops in this position. If it does, the correct balance weight is being used.
- ★ If the wheel rotates and the weight goes up, replace the weight with the next heavier size. If the wheel rotates and the weight goes down, replace the weight with the next lighter size. Repeat these steps until the wheel remains at rest after being rotated ¼ turn.
- Rotate the wheel another ¼ turn and then another ¼ turn to see if the wheel is correctly balanced.

W17



- Repeat the entire procedure as many times as necessary to achieve correct wheel balance.
- Permanently install the balance weight.

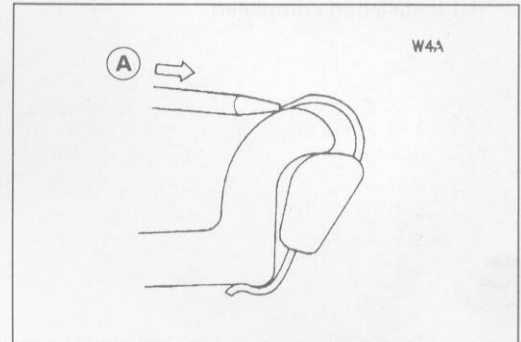
**Balance Weight**

Part Number	Weight(grams)
41075-1014	10
41075-1015	20
41075-1016	30

**Balance Weight Removal**

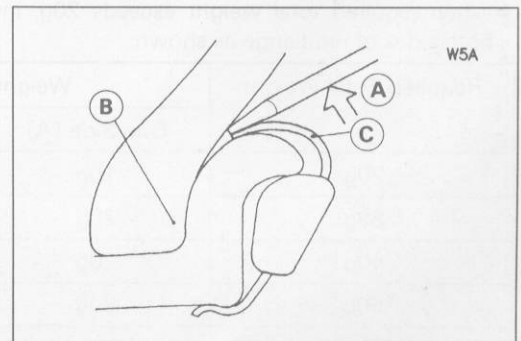
(a) When the tire is not on the rim.

- Push [A] the blade portion toward the outside with a regular tip screw driver, and slip the weight off the rim flange.
- Discard the used balance weight.



(b) When the tire is on the rim.

- Pry [A] the balance weight off the rim flange using a regular tip screw driver as shown in the figure.
- Insert a tip of the screw driver between the tire bead [B] and weight blade [C] until the end of the tip reaches the end of the weight blade.
- Push the driver grip toward the tire so that the balance weight slips off the rim flange.
- Discard the used balance weight.



**Balance Weight Installation**

- Check if the weight portion has any play on the brade-and-clip plate.
- ★ If it does, discard it.

**▲ WARNING**

**If the balance weight has any play on the rim flange, the blade and/or clip have been stretched. Replace the loose balance weight. Do not reuse used balance weight. Unbalanced wheels can create an unsafe riding condition.**

- Lubricate the balance weight blade, tire bead, and rim flange with a soap and water solution or rubber lubricant. This helps the balance weight slip onto the rim flange.

**CAUTION**

**Do not lubricate the tire bead with engine oil or petroleum distillates because they will deteriorate the tire.**

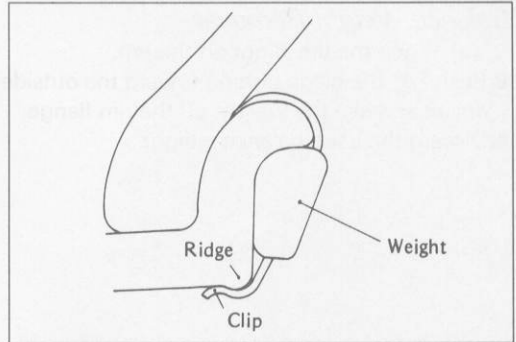
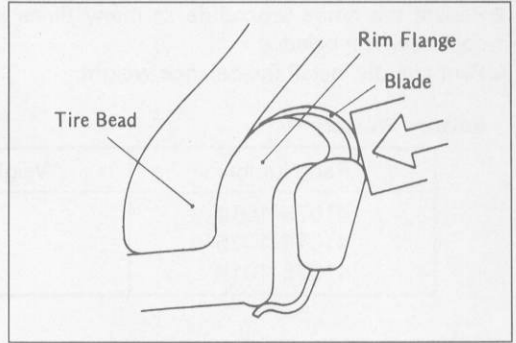
## 9-8 WHEELS / TIRES

- Install the balance weight on the rim.
- Slip the weight on the rim flange by pushing or lightly hammering the weight in the direction shown in the figure.
- Check that the blade and weight seat fully on the rim flange, and that the clip is hooked over the rim ridge and reaches rim flat portion.

### Installing Balance Weight

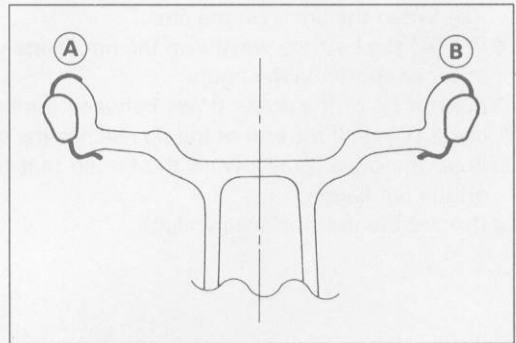
(a) Press or lightly hammer the weight in.

(b) Installation completed.



- When required total weight exceeds 20g, install balance weight at both sides of rim flange as shown.

Required Total Weight	Weight Selection	
	One Side [A]	Other Side [B]
20g	10g	10g
30g	20g	10g
40g	20g	20g
50g	30g	20g
60g	30g	30g
70g	20g + 20g	30g
80g	20g + 20g	20g + 20g
90g	20g + 30g	20g + 20g



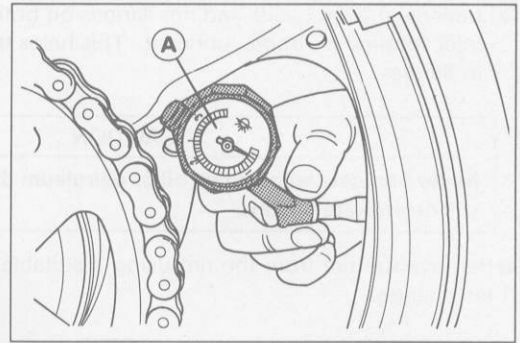
**Tires**

**Air Pressure Inspection/Adjustment**

- Measure the tire air pressure with an air pressure gauge [A] when the tires are cold (that is, when the motorcycle has not been ridden more than a mile during the past 3 hours).
- ★ Adjust the tire air pressure according to the specifications if necessary.

**Air Pressure (when cold)**

Front	Up to 178 kg (392 lb)	250 kPa (2.5 kg/cm <sup>2</sup> , 36 psi)
Rear	Up to 178 kg (392 lb)	290 kPa (2.9 kg/cm <sup>2</sup> , 41 psi)

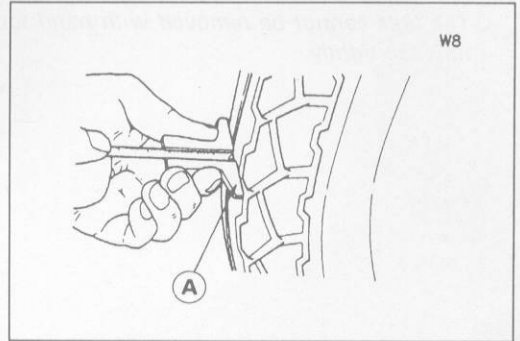


**Tire Inspection**

As the tire tread wears down, the tire becomes more susceptible to puncture and failure. An accepted estimate is that 90 % of all tire failures occur during the last 10 % of tread life (90 % worn). So it is false economy and unsafe to use the tires until they are bald.

- Remove any imbedded stones or other foreign particles from the tread.
- Visually inspect the tire for cracks and cuts, replacing the tire in case of damage. Swelling or high spots indicate internal damage, requiring tire replacement.
- Measure the tread depth at the center of the tread with a depth gauge [A]. Since the tire may wear unevenly, take measurement at several places.

★ If any measurement is less than the service limit, replace the tire.



**Tread Depth**

**Front:**

- Standard:** 4.0 mm (DUNLOP)  
4.3 mm (BRIDGESTONE),
- Service Limit:** 1 mm, (FG, AR, ST) 1.6 mm

**Rear:**

- Standard:** 5.4 mm (DUNLOP)  
6.2 mm (BRIDGESTONE)
- Service Limit:** 2 mm (Up to 130 km/h)  
3 mm (Over 130 km/h)

**▲WARNING**

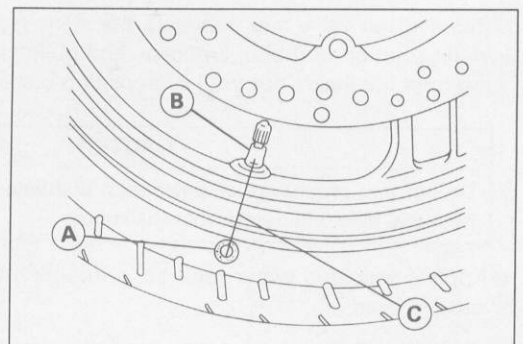
To ensure safe handling and stability, use only the recommended standard tires for replacement, inflated to the standard pressure.

**NOTE**

- Most countries may have their own regulations a minimum tire tread depth: be sure to follow them.
- Check and balance the wheel when a tire is replaced with a new one.

**Tire Removal**

- Remove:
  - Wheel (see Front Wheel Removal, Rear Wheel Removal)
  - Disc (s)
  - Valve Core (let out the air)
- To maintain wheel balance, mark the valve stem position on the tire with chalk so that the tire can be reinstalled in the same position.
  - Chalk Mark or Yellow Mark [A]
  - Air Valve [B]
  - Align [C]



- Lubricate the tire beads and rim flanges on both sides with a soap and water solution or rubber lubricant. This helps the tire beads slip off the rim flanges.

### CAUTION

**Never lubricate with engine oil or petroleum distillates because they will deteriorate the tire.**

- Remove the tire from the rim using a suitable commercially available tire changer.

### NOTE

- *The tires cannot be removed with hand tools because they fit the rims too tightly.*

## Tire Installation

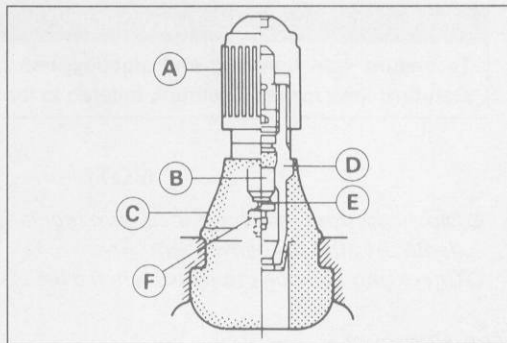
- Inspect the rim and tire, and replace them if necessary.
- Clean the sealing surfaces of the rim and tire, and smooth the sealing surfaces of the rim with a fine emery cloth if necessary.
- Remove the air valve and discard it.

### CAUTION

**Replace the air valve whenever the tire is replaced.  
Do not reuse the air valve.**

- Install a new valve in the rim.

- [A] Valve Cap
- [B] Valve Core
- [C] Stem Seal
- [D] Valve Stem
- [E] Valve Seat
- [F] Valve Opened

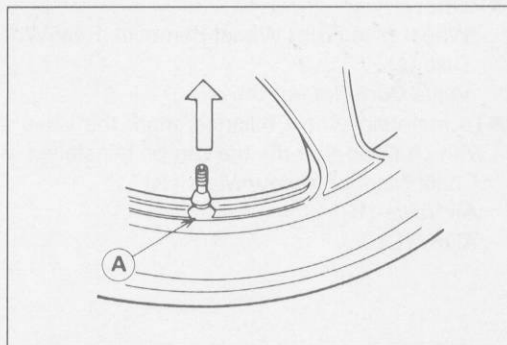


- Remove the valve cap, lubricate the stem seal [A] with a soap and water solution or rubber lubricant, and pull the valve stem through the rim from the inside out until it snaps into place.

### CAUTION

**Do not use engine oil or petroleum distillates to lubricate the stem because they will deteriorate the rubber.**

- Apply a soap and water solution, or rubber lubricant to the rim flange and tire beads.



- Check the tire rotation mark on the front and rear tires and install them on the rim accordingly.

### NOTE

- The direction of the tire rotation [A] is shown by an arrow [B] on the tire sidewall.

- Position the tire on the rim so that the valve [A] is at the tire balance mark [B] (the chalk mark made during removal, or the yellow paint mark on a new tire).
- Install the tire on the rim using a suitable commercially available tire changer.
- Lubricate the tire beads and rim flanges with a soap and water solution or rubber lubricant to help seat the tire beads in the sealing surfaces of the rim while inflating the tire.
- Center the rim in the tire beads, and inflate the tire with compressed air until the tire beads seat in the sealing surfaces.

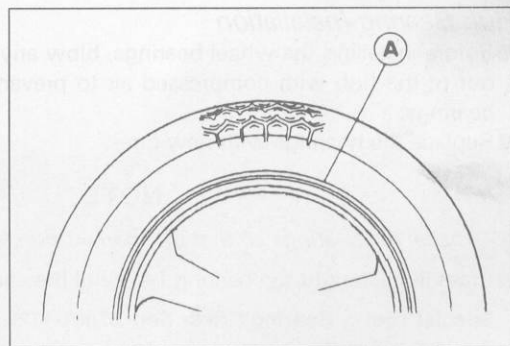
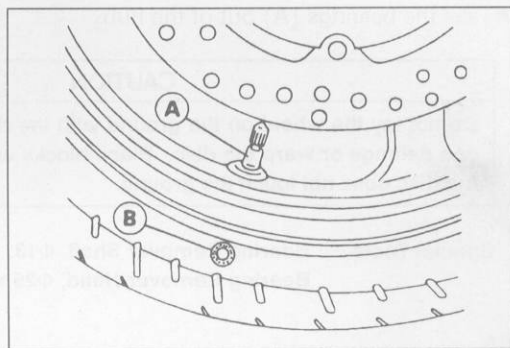
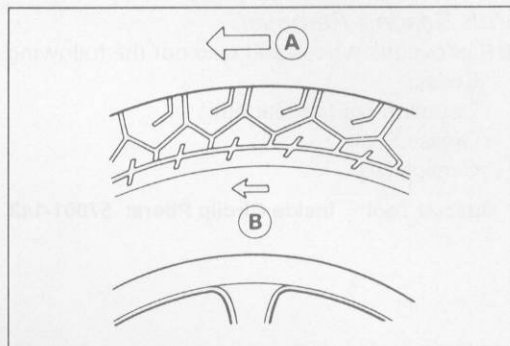
### ▲WARNING

**Be sure to install the valve core whenever inflating the tire, and do not inflate the tire to more than 400 kPa(4.0 kg/cm<sup>2</sup>, 57 psi). Overinflation can explode the tire with possibility of injury and loss of life.**

- Check to see that the rim lines [A] on both sides of the tire sidewalls are parallel with the rim flanges.
- ★ If the rim flanges and tire sidewall rim lines are not parallel, remove the valve core.
- Lubricate the rim flanges and tire beads.
- Install the valve core and inflate the tire again.
- After the tire beads seat in the rim flanges, check for air leaks.
- Inflate the tire slightly above standard inflation.
- Use a soap and water solution or submerge the tire, and check for bubbles that would indicate leakage.
- Adjust the air pressure to the specified pressure.
- Install the brake disc(s) so that the marked side faces out.
- Adjust the wheel balance.

### Repair

Currently two types of repair for tubeless tires have come into wide use. One type is called a temporary (external) repair which can be carried out without removing the tire from the rim, and the other type is called permanent (internal) repair which requires tire removal. It is generally understood that higher running durability is obtained by permanent (internal) repairs than by temporary (external) ones. Also, permanent (internal) repairs have the advantage of permitting a thorough examination for secondary damage not visible from external inspection of the tire. For these reasons, Kawasaki does not recommend temporary (external) repair. Only appropriate permanent (internal) repairs are recommended. Repair methods may vary slightly from make to make. Follow the repair methods indicated by the manufacturer of the repair tools and materials so that safe results can be obtained.





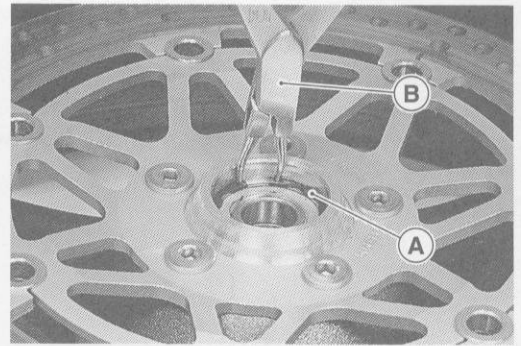
## 9-12 WHEELS / TIRES

### Hub Bearing

#### Hub Bearing Removal

- Remove the wheel, and take out the following.
  - Collars
  - Coupling (out of rear hub)
  - Grease Seals
  - Circlips [A]

**Special Tool – Inside Circlip Pliers: 57001-143 [B]**

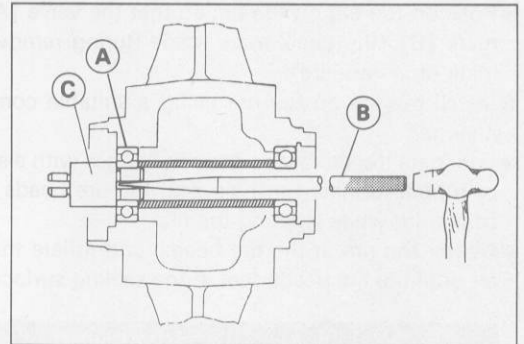


- Take the bearings [A] out of the hub.

#### CAUTION

Do not lay the wheel on the ground with the disc facing down. This can damage or warp the disc. Place blocks under the wheel so that the disc does not touch the ground.

**Special Tools – Bearing Remover Shaft,  $\Phi 13$ : 57001-1377 [B]**  
**Bearing Remover Head,  $\Phi 25 \times \Phi 28$ : 57001-1346 [C]**



#### Hub Bearing Installation

- Before installing the wheel bearings, blow any dirt or foreign particles out of the hub with compressed air to prevent contamination of the bearings.
- Replace the bearings with new ones.

#### NOTE

○ Install the bearings so that the marked side faces out.

- Press in each right the bearing [A] until they are bottomed.

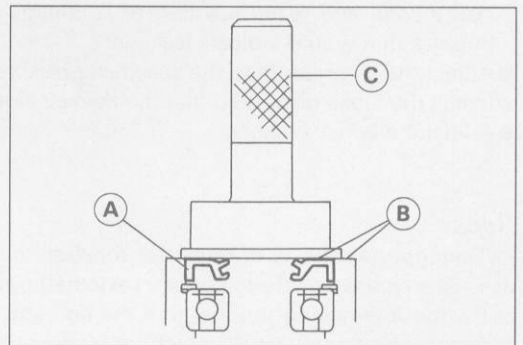
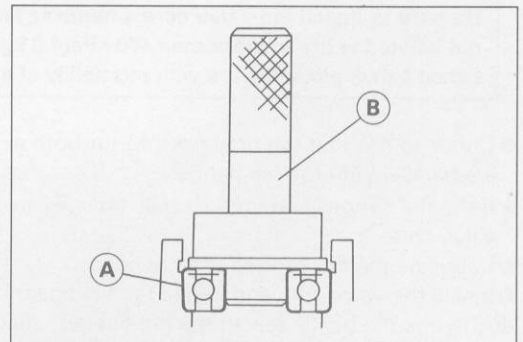
**Special Tool – Bearing Driver Set: 57001-1129 [B]**

- Replace the circlips with new ones.

**Special Tool – Inside Circlip Pliers: 57001-143**

- Replace the grease seals with new ones.
- Press in the grease seals [A] so that the seal surface is flush [B] with the end of the hole.
- Apply high temperature grease to the grease seal lips.

**Special Tool – Bearing Driver Set: 57001-1129 [C]**

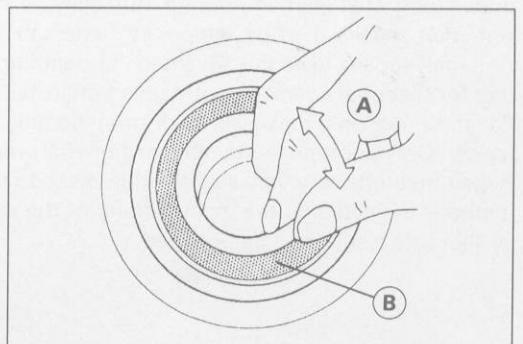


#### Hub Bearing Inspection

#### NOTE

○ It is not necessary to remove any bearings for inspection. If any bearings are removed, they will need to be replaced with new ones.

- Spin [A] it by hand to check its condition.
- ★ If it is noisy, does not spin smoothly, or has any rough spots, it must be replaced.
- Examine the bearing seal [B] for tears or leakage.
- ★ If the seal is torn or is leaking, replace the bearing.



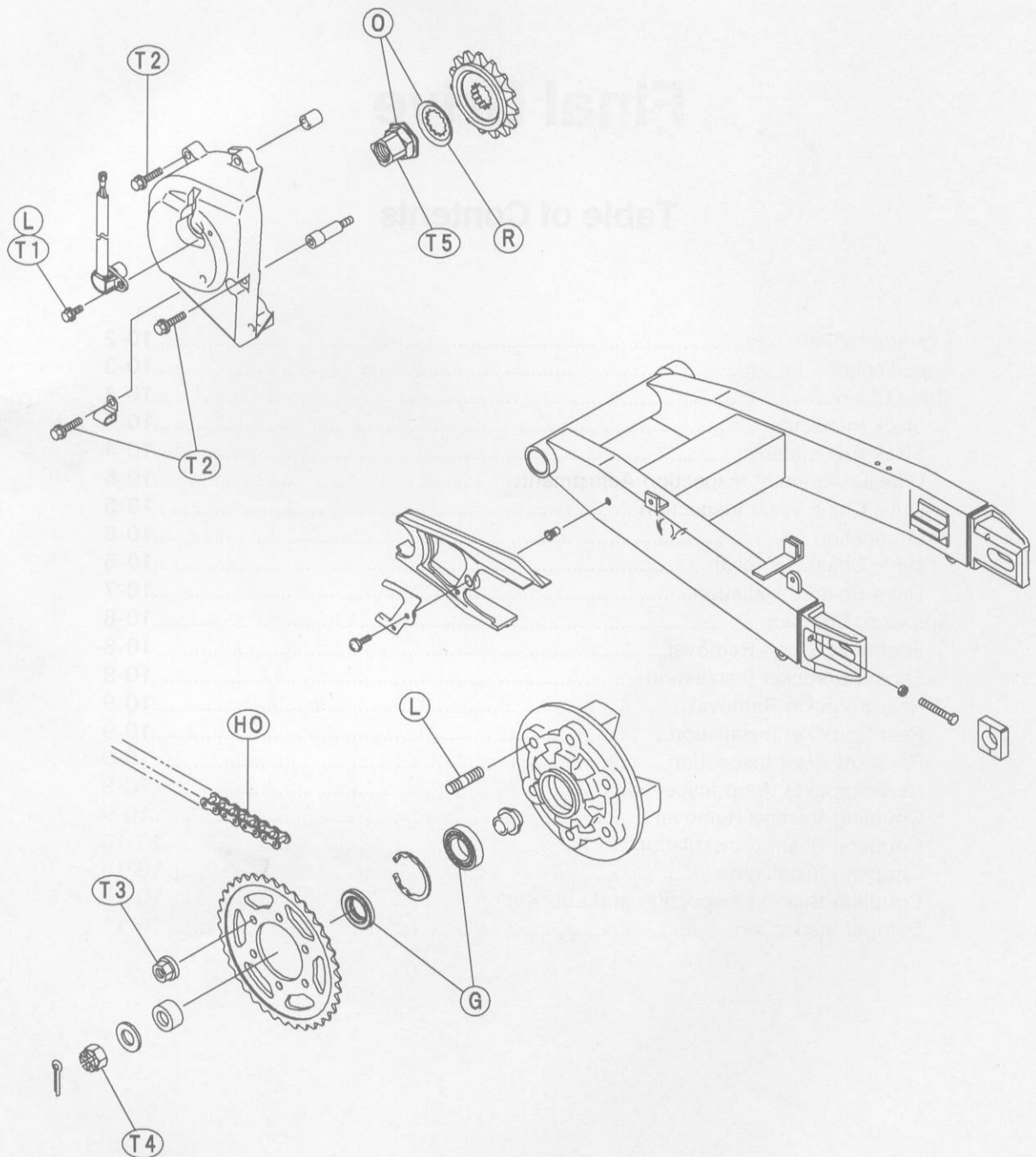
# Final Drive

## Table of Contents

Exploded View .....	10-2
Specifications .....	10-3
Drive Chain.....	10-4
Slack Inspection.....	10-4
Slack Adjustment.....	10-4
Wheel Alignment Inspection Adjustment .....	10-5
Drive Chain Wear Inspection.....	10-5
Lubrication .....	10-6
Drive Chain Removal.....	10-6
Drive Chain Installation .....	10-7
Sprocket, Coupling .....	10-8
Engine Sprocket Removal .....	10-8
Engine Sprocket Installation.....	10-8
Rear Sprocket Removal .....	10-9
Rear Sprocket Installation.....	10-9
Sprocket Wear Inspection .....	10-9
Rear Sprocket Warp Inspection.....	10-9
Coupling Bearing Removal .....	10-9
Coupling Bearing Installation.....	10-10
Coupling Installation .....	10-10
Coupling Bearing Inspection and Lubrication.....	10-10
Damper Inspection .....	10-11

## 10-2 FINAL DRIVE

### Exploded View



G : Apply grease.  
HO: Apply heavy oil.  
L : Apply a non-permanent locking agent.  
O : Apply oil.  
R : Replacement Parts

T1 : 6.9 N-m (0.70 kg-m, 61 in-lb)  
T2 : 12 N-m (1.2 kg-m, 104 in-lb)  
T3 : 59 N-m (6.0 kg-m, 43 ft-lb)  
T4 : 110 N-m (11.0 kg-m, 80 ft-lb)  
T5 : 125 N-m (13.0 kg-m, 94 ft-lb)

## Specifications

Item	Standard	Service Limit
<b>Drive Chain:</b>		
Chain slack	35 ~ 40 mm	(Usable range) 35 ~ 45 mm
20-link length Standard chain	317.5 ~ 318.2 mm	323 mm
Make	ENUMA	---
Type	EK525MVXL, Endless	---
Link	108 links	---
<b>Sprockets:</b>		
Rear sprocket warp	0.4 mm or less	0.5 mm

**Special Tools –** Inside Circlip Pliers: 57001-143  
 Bearing Driver Set: 57001-1129  
 Jack: 57001-1238

## 10-4 FINAL DRIVE

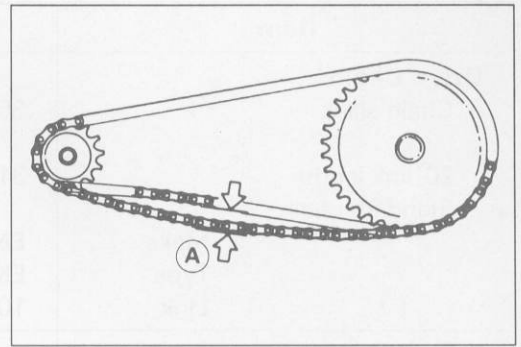
### Drive Chain

#### Slack Inspection

#### NOTE

- Check the slack with the motorcycle setting on its side stand.
- Clean the chain if it is dirty, and lubricate it if it appears dry.

- Check the wheel alignment (see Wheel Alignment Inspection).
  - Rotate the rear wheel to find the position where the chain is tightest.
  - Measure the vertical movement (chain slack) [A] midway between the sprockets.
- ★ If the chain slack exceeds the standard, adjust it.



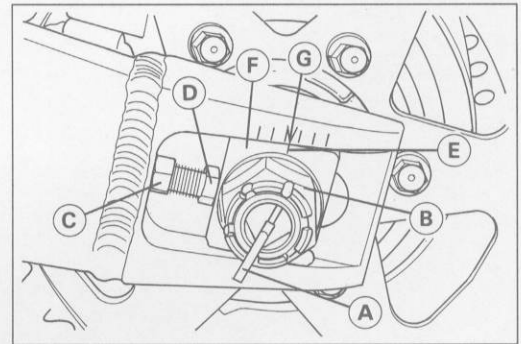
#### Chain Slack

**Standard:** 35 ~ 40 mm

**Usable Range:** 35 ~ 45 mm

#### Slack Adjustment

- Remove the cotter pin [A], and loosen the axle nut [B].
  - Loosen the both chain adjuster locknuts [C].
- ★ If the chain is too loose, turn out the left and right chain adjuster [D] evenly.
- ★ If the chain is too tight, turn in the left and right chain adjusters evenly, and kick the wheel forward.
- Turn both chain adjusters evenly until the drive chain has the correct amount of slack. To keep the chain and wheel properly aligned, the notch [E] on the left wheel alignment indicator [F] should align with the same swingarm mark or position [G] that the right indicator notch aligns with.



#### ⚠WARNING

**Misalignment of the wheel will result in abnormal wear and may result in an unsafe riding condition.**

- Tighten both chain adjuster locknuts securely.
- Tighten the axle nut.

**Torque – Rear Axle Nut: 110 N-m (11.0 kg-m, 80 ft-lb)**

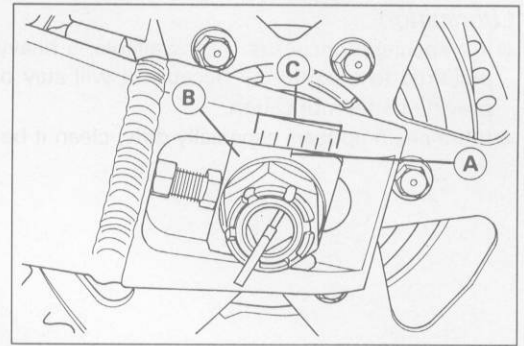
- Turn the wheel, measure the chain slack again at the tightest position, and readjust if necessary.
- Insert a new cotter pin and spread its ends.

### Wheel Alignment Inspection Adjustment

- Check that the notch [A] on the left alignment indicator [B] aligns with the same swingarm mark or position [C] that the right alignment indicator notch aligns with.
- ★ If they are not, adjust the chain slack and align the wheel alignment (see Slack Adjustment).

#### NOTE

- Wheel alignment can be also be checked using the straightedge or string method.



#### ⚠ WARNING

Misalignment of the wheel will result in abnormal wear, and may result in an unsafe riding condition.

### Drive Chain Wear Inspection

- Remove:
  - Chain Cover
- Rotate the rear wheel to inspect the drive chain for damaged rollers, and loose pins and links.
- ★ If there is any irregularity, replace the drive chain.
- ★ Lubricate the drive chain if it appears dry.
- Stretch the chain taut by hanging a 98 N (10 kg, 20 lb) weight [A] on the chain.
- Measure the length of 20 links [B] on the straight part [C] of the chain from the pin center of the 1st pin to the pin center of the 21st pin. Since the chain may wear unevenly, take measurements at several places.
- ★ If any measurements exceed the service limit, replace the chain. Also, replace the front and rear sprockets when the drive chain is replaced.

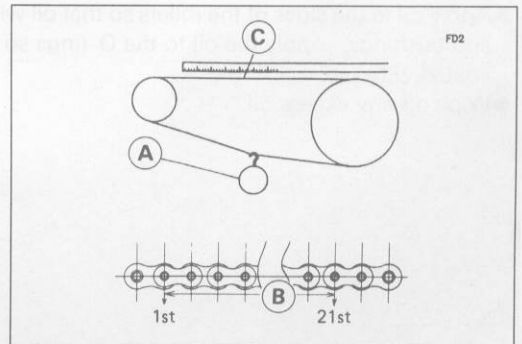
#### Drive Chain 20-link Length

Standard:	317.5 ~ 318.2 mm
Service Limit:	323 mm

#### ⚠ WARNING

If the drive chain wear exceeds the service limit, replace the chain or an unsafe riding condition may result. A chain that breaks or jumps off the sprockets could snag on the engine sprocket or lock the rear wheel, severely damaging the motorcycle and causing it to go out of control.

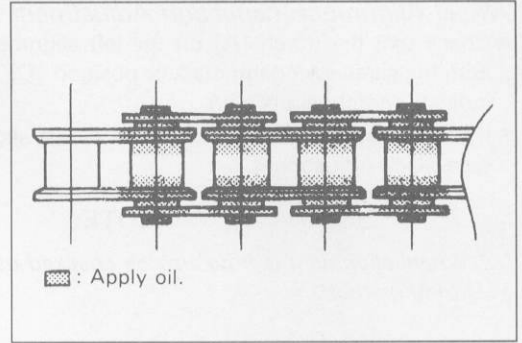
For safety, use only the standard chain. It is an endless type and should not be cut for installation.



## 10-6 FINAL DRIVE

### Lubrication

- If a special lubricant is not available, a heavy oil such as SAE 90 is preferred to a lighter oil because it will stay on the chain longer and provide better lubrication.
- If the chain appears especially dirty, clean it before lubrication.



### CAUTION

The O-rings between the side plates seal in the lubricant between the pin and the bushing. To avoid damaging the O-rings and resultant loss of lubricant, observe the following rules.

Use only kerosene or diesel oil for cleaning an O-ring drive chain.

Any other cleaning solution such as gasoline or trichloroethylene will cause deterioration and swelling of the O-ring.

Immediately blow the chain dry with compressed air after cleaning. Complete cleaning and drying the chain within 10 minutes.

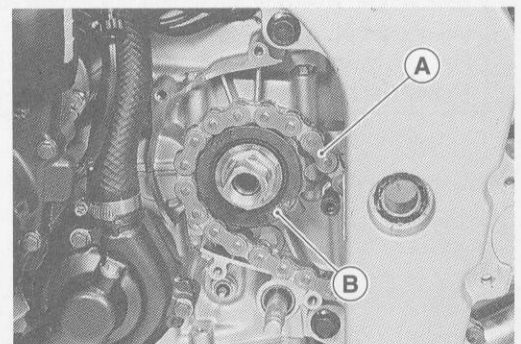
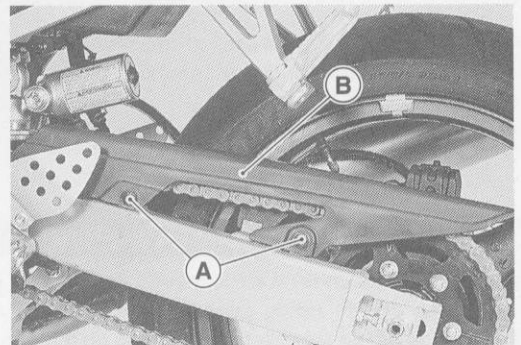
- Apply oil to the sides of the rollers so that oil will penetrate to the rollers and bushings. Apply the oil to the O-rings so that the O-rings will be coated with oil.
- Wipe off any excess oil.

### Drive Chain Removal

#### ● Remove:

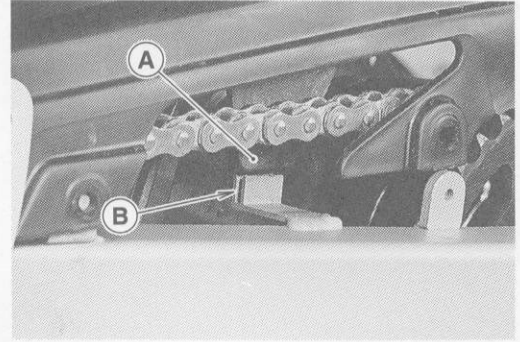
- Rear Wheel (see Wheels/Tires chapter)
- Chain Cover Screws [A]
- Chain Cover [B]
- Swingarm (see Suspension chapter)
- Engine Sprocket Cover (see this chapter)

- Disengage the drive chain [A] from the engine sprocket [B], and take it off the chassis.



### Drive Chain Installation

- Engage the drive chain to the engine sprocket.
- Install:
  - Swingarm (see Suspension chapter)
  - Rear Wheel (see Wheels/Tires chapter)
  - Engine Sprocket Cover
  - Chain Cover
- Fit the flap [A] into the slot [B] in the swingarm.
- Adjust the chain slack after installing the chain (see Slack Adjustment).





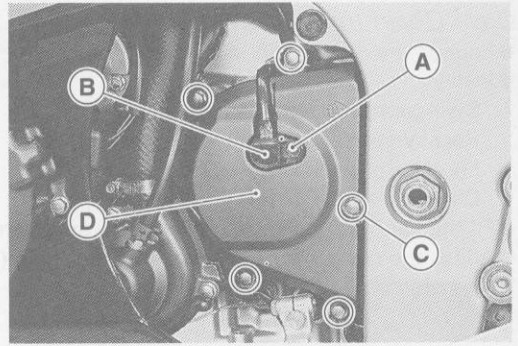
## 10-8 FINAL DRIVE

### Sprocket, Coupling

#### Engine Sprocket Removal

● Remove:

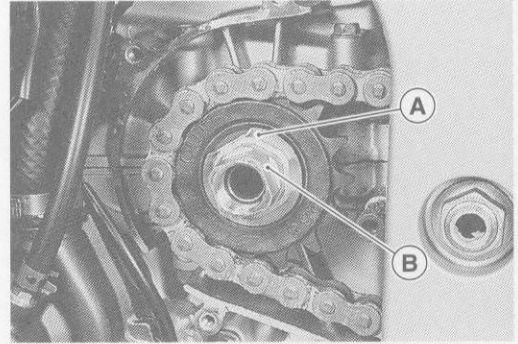
- Speed Sensor Bolt [A]
- Speed Sensor [B]
- Engine Sprocket Cover Bolts [C]
- Engine Sprocket Cover [D]



- Flatten out the bended washer [A].
- Remove the engine sprocket nut [B] and washer.

#### NOTE

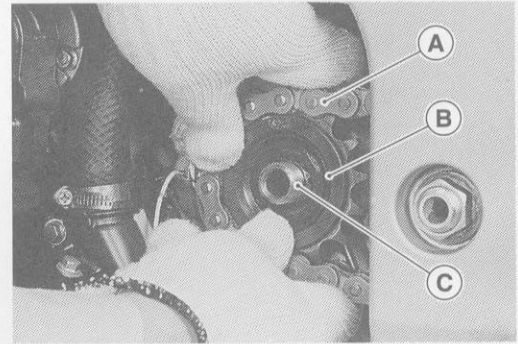
- When loosening the engine sprocket nut, hold the rear brake on.



- Using the jack, raise the rear wheel off the ground.

**Special Tool – Jack: 57001-1238**

- Loosen the drive chain (see Slack Adjustment).
- Remove the drive chain from the rear sprocket toward the right.
- Disengage the drive chain [A] from the engine sprocket [B].
- Pull the engine sprocket off the output shaft [C].



#### Engine Sprocket Installation

- Replace the sprocket washer and axle cotter pin.
- Install the engine sprocket onto the output shaft so that the mark side [A] faces outwards.
- Apply oil to the threads of the output shaft and the seating surface of the engine sprocket nut.
- After torquing the engine sprocket nut, bend the one side of the washer over the nut.

#### NOTE

- Tighten the nut while applying the rear brake.

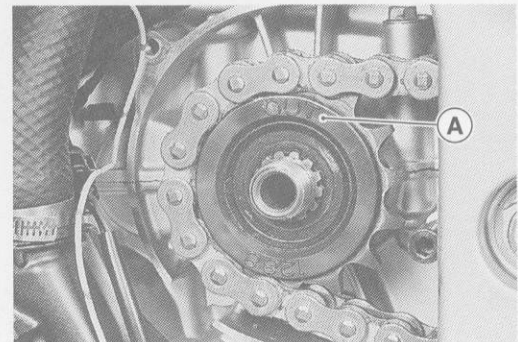
**Torque – Engine Sprocket Nut : 125 N-m (13.0 kg, 94 ft-lb)**

- Adjust the drive chain slack after installing the sprocket (see Slack Adjustment).
- Install the engine sprocket cover, and tighten the bolts.

**Torque – Engine Sprocket Cover Bolts: 12 N-m (1.2 kg-m, 104 in-lb)**

- Apply a non-permanent locking agent to the threads of the speed sensor bolt, and tighten it.

**Torque – Speed Sensor Bolt: 6.9 N-m (0.70 kg-m, 61 in-lb)**



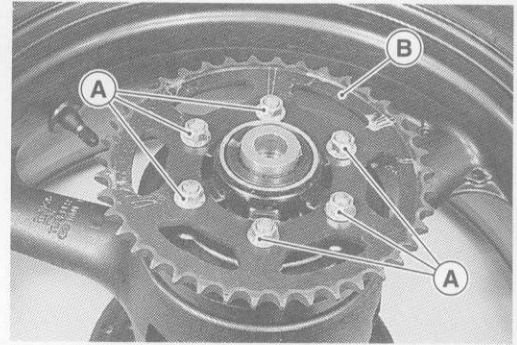
### Rear Sprocket Removal

- Remove the rear wheel (see Wheel/Tires chapter).

#### CAUTION

Do not lay the wheel on the ground with the disc facing down. This can damage or warp the disc. Place blocks under the wheel so that the disc does not touch the ground.

- Remove the rear sprocket nuts [A].
- Remove the rear sprocket [B].

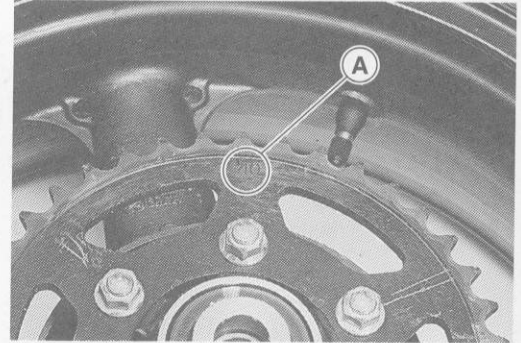


### Rear Sprocket Installation

- Install the sprocket facing the tooth number marking [A] outward.
- Tighten the rear sprocket nuts.

**Torque – Rear Sprocket Nut : 59 N-m (6.0 kg-m, 43 ft-lb)**

- Install the rear wheel (see Wheels/ Tires chapter).

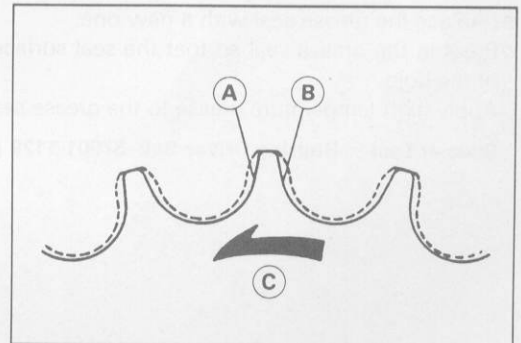


### Sprocket Wear Inspection

- Visually inspect the engine and rear sprocket teeth for wear and damage.
- ★ If the teeth are worn as illustrated, replace the sprocket, and inspect the drive chain wear (see Drive Chain Wear Inspection).
  - [A] Worn Tooth (Engine Sprocket)
  - [B] Worn Tooth (Rear Sprocket)
  - [C] Direction of Rotation

#### NOTE

○ If a sprocket requires replacement, the chain is probably worn also. When replacing a sprocket, inspect the chain.

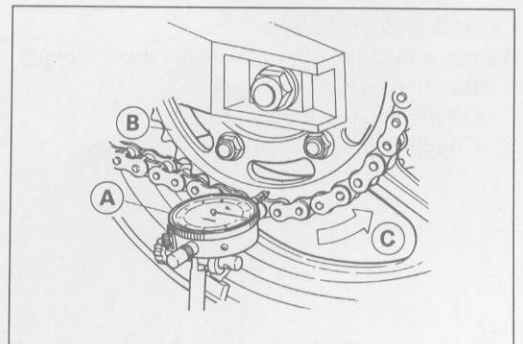


### Rear Sprocket Warp Inspection

- Raise the rear wheel off the ground (see Wheels/Tires chapter) so that it will turn freely.
- Set a dial gauge [A] against the rear sprocket [B] near the teeth as shown, and rotate [C] the rear wheel to measure the sprocket runout (warp). The difference between the highest and lowest dial gauge readings is the amount of runout (warp).
- ★ If the runout exceeds the service limit, replace the rear sprocket.

#### Rear Sprocket Warp

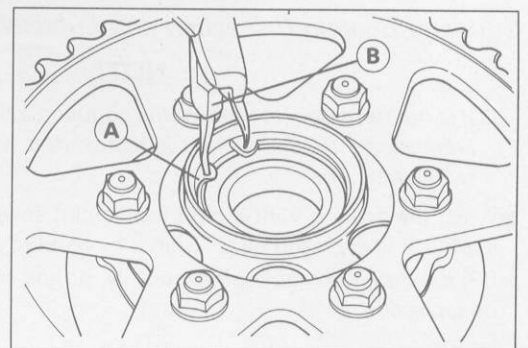
**Standard: 0.4 mm or less**  
**Service Limit: 0.5 mm**



### Coupling Bearing Removal

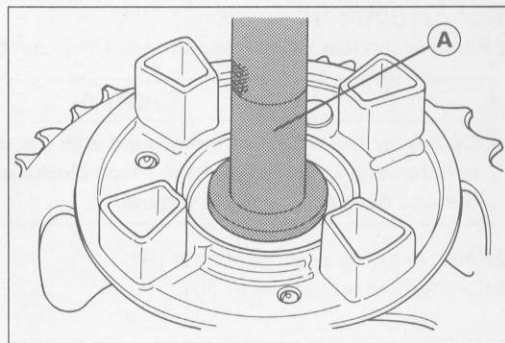
- Remove:
  - Coupling
  - Grease Seal
  - Circlip [A]

**Special Tool – Inside Circlip Pliers: 57001-143 [B]**



- Remove the bearing by tapping from the wheel side.

**Special Tool – Bearing Driver Set: 57001-1129 [A]**



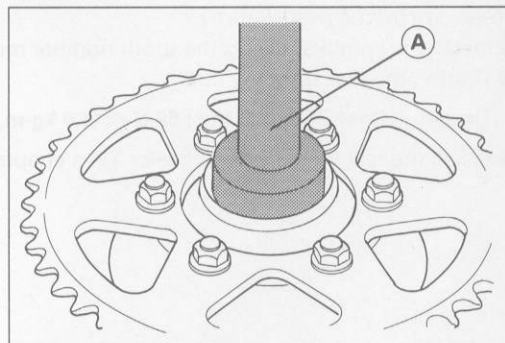
## Coupling Bearing Installation

- Replace the bearing with a new one.
- Press in the bearing until it is bottomed.

**Special Tool – Bearing Driver Set: 57001-1129 [A]**

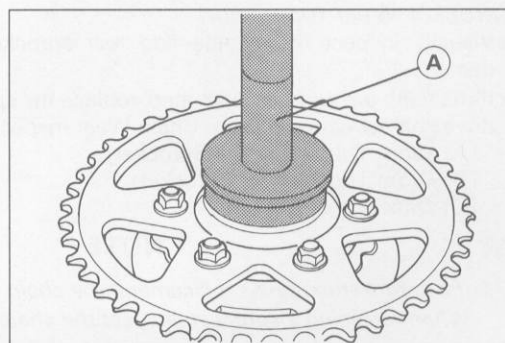
- Pack the bearing with high temperature grease.
- Replace the circlip with a new one.

**Special Tool – Inside Circlip Pliers: 57001-143**



- Replace the grease seal with a new one.
- Press in the grease seal so that the seal surface is flush with the end of the hole.
- Apply high temperature grease to the grease seal lips.

**Special Tool – Bearing Driver Set: 57001-1129 [A]**



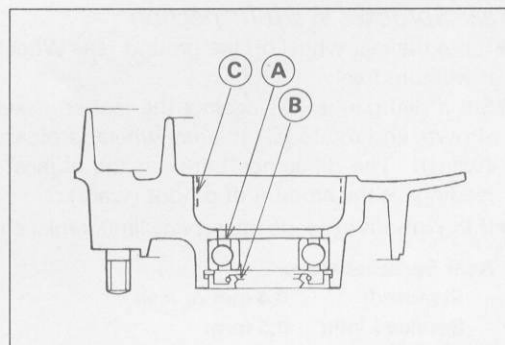
## Coupling Installation

- Grease the following and install the coupling.

Ball Bearing [A]

Coupling Grease Seal [B]

Coupling Internal Surface [C]



## Coupling Bearing Inspection and Lubrication

### NOTE

○ It is not necessary to remove the coupling bearing for inspection and lubrication. If the bearing is removed, it will need to be replaced with a new one.

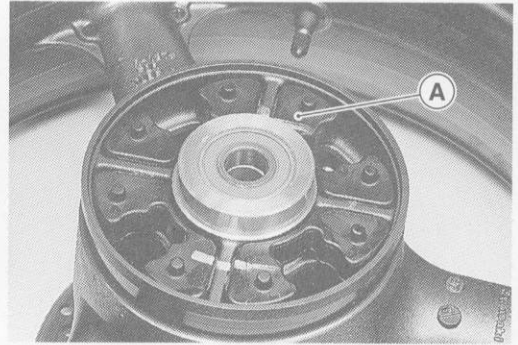
- Wash the bearing with a high flash-point solvent, dry it (do not spin it while it is dry), and oil it. Spin it by hand to check its condition.

★ If it is noisy, does not spin smoothly, or has any rough spots, it must be replaced.

- Pack the bearing with good quality bearing grease. Turn the bearing around by hand a few times to make sure the grease is distributed uniformly inside the bearing.

### *Damper Inspection*

- Remove the rear wheel coupling, and inspect the rubber dampers [A].
- Replace the damper if it appears damaged or deteriorated.

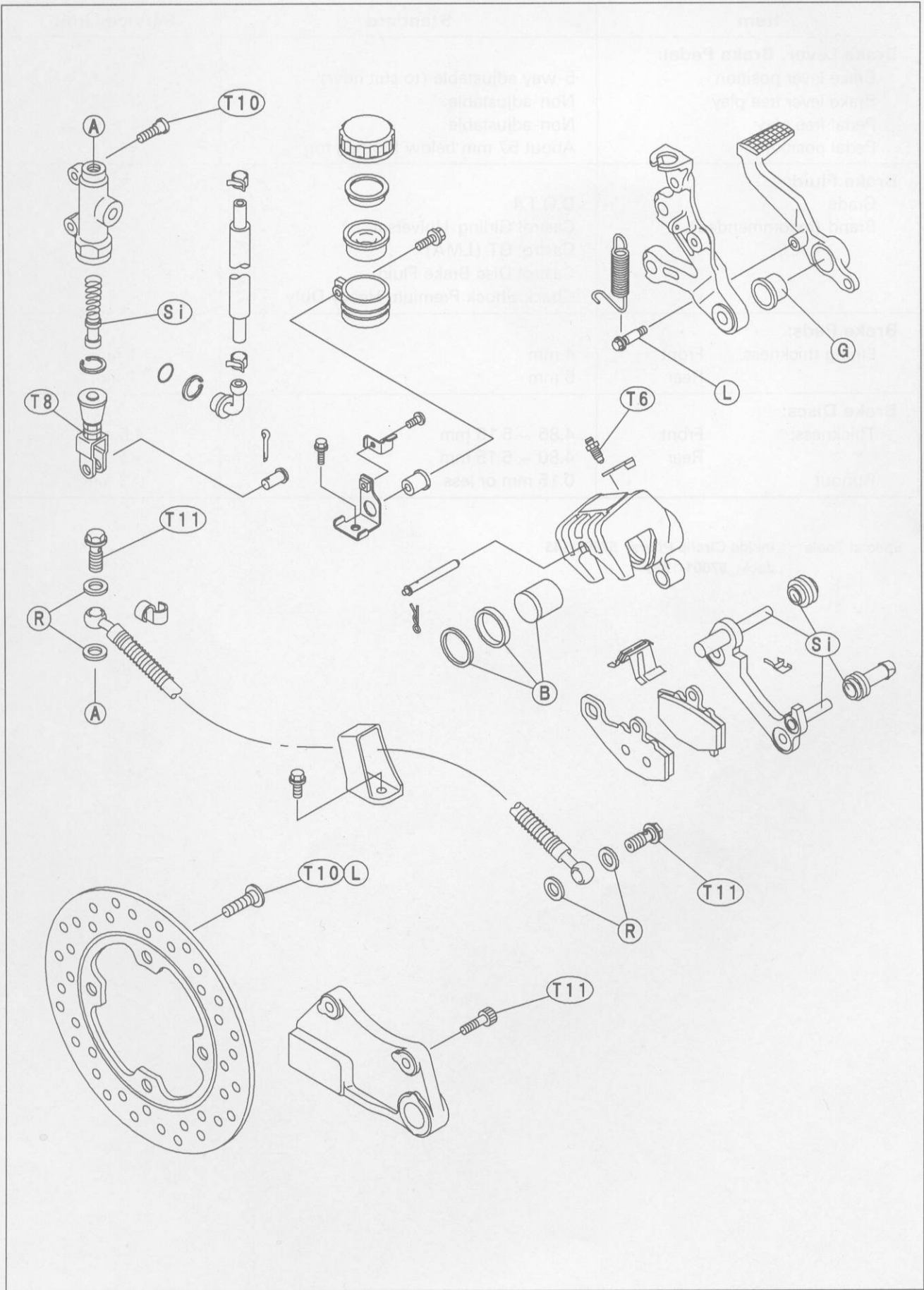


# Brakes

## Table of Contents

Exploded View .....	11-2	Front Master Cylinder Installation .....	11-13
Specifications .....	11-4	Rear Master Cylinder Removal .....	11-13
Brake Pedal .....	11-5	Rear Master Cylinder Installation .....	11-14
Brake Pedal Position Inspection .....	11-5	Front Master Cylinder Disassembly .....	11-14
Brake Pedal Position Adjustment .....	11-5	Rear Master Cylinder Disassembly .....	11-14
Calipers .....	11-6	Master Cylinder Assembly .....	11-15
Front Caliper Removal .....	11-6	Master Cylinder Inspection	
Rear Caliper Removal .....	11-6	(Visual Inspection) .....	11-15
Caliper Installation .....	11-6	Brake Disc .....	11-16
Front Caliper Disassembly .....	11-7	Brake Disc Removal .....	11-16
Front Caliper Assembly .....	11-8	Brake Disc Installation .....	11-16
Rear Caliper Disassembly .....	11-8	Brake Disc Wear .....	11-16
Rear Caliper Assembly .....	11-9	Brake Disc Warp .....	11-16
Brake Pads .....	11-11	Brake Fluid .....	11-17
Front Brake Pad Removal .....	11-11	Level Inspection .....	11-17
Front Brake Pad Installation .....	11-11	Brake Fluid Change .....	11-17
Rear Brake Pad Removal .....	11-11	Bleeding the Brake Line .....	11-18
Rear Brake Pad Installation .....	11-11	Brake Hose .....	11-21
Lining Wear .....	11-12	Brake Hose Removal/Installation .....	11-21
Master Cylinder .....	11-13	Brake Hose Inspection .....	11-21
Front Master Cylinder Removal .....	11-13		





## 11-4 BRAKES

### Specifications

Item	Standard	Service Limit
<b>Brake Lever, Brake Pedal:</b> Brake lever position Brake lever free play Pedal free play Pedal position	5-way adjustable (to suit rider) Non-adjustable Non-adjustable About 57 mm below footpeg top	--- --- --- ---
<b>Brake Fluid:</b> Grade Brand (recommended)	D.O.T.4 Castrol Girling-Universal Castrol GT (LMA) Castrol Disc Brake Fluid Check Shock Premium Heavy Duty	--- --- --- --- ---
<b>Brake Pads:</b> Lining thickness: Front Rear	4 mm 5 mm	1 mm 1 mm
<b>Brake Discs:</b> Thickness: Front Rear Runout	4.85 ~ 5.15 mm 4.80 ~ 5.15 mm 0.15 mm or less	4.5 mm 4.5 mm 0.3 mm

**Special Tools – Inside Circlip Pliers: 57001-143**  
**Jack: 57001-1238**



## Brake Pedal

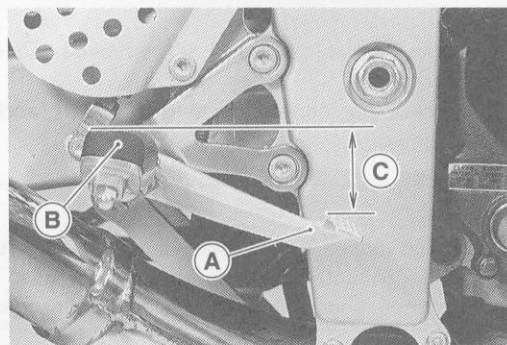
### Brake Pedal Position Inspection

- Check that the brake pedal [A] is in the correct position.  
[B] Footpeg

#### Pedal Position [C]

**Standard:** About 57 mm below top of footpeg

- ★ If it is incorrect, adjust the brake pedal position.



### Brake Pedal Position Adjustment

#### NOTE

- Usually it is not necessary to adjust the pedal position, but always adjust it when the master cylinder is disassembled or pedal position is incorrect.

- Measure the length indicated in the figure.

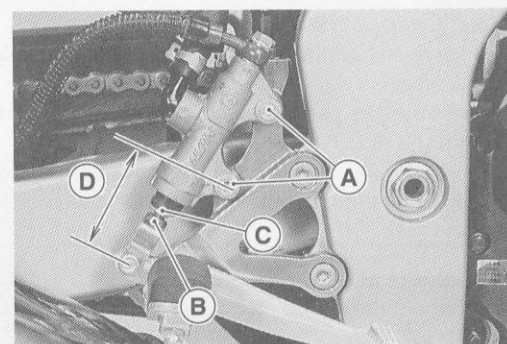
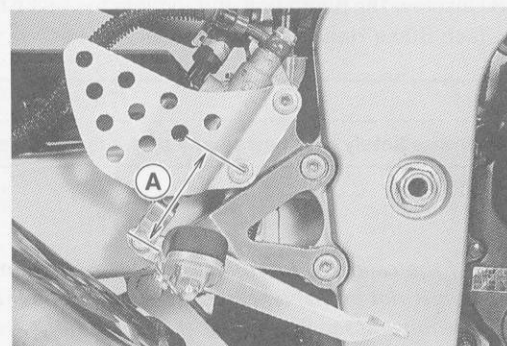
#### Length [A]

**Standard:**  $65 \pm 1$  mm

- ★ If it is specified length, the brake pedal may be deformed or incorrectly installed.
- ★ If it is not within the specified length, adjust the push rod in the master cylinder as following.
  - Remove the rear master cylinder cover, and then tighten the master cylinder bolts [A] only.
  - Loosen the push rod locknut [B].
  - Turn the hex head [C] of the push rod to obtain the specified length [D].
  - Tighten the locknut.

**Torque – Rear Master Cylinder Push Rod Locknut: 18 N-m (1.8 kg-m, 13.0 ft-lb)**

- Check the brake light switch operation (see Rear Brake Light Switch Adjustment in Electrical System chapter).



## 11-6 BRAKES

### Calipers

#### Front Caliper Removal

- Loosen the banjo bolt [A] at the brake hose lower end, and tighten it loosely.
- Unscrew the caliper mounting bolts [B], and detach the caliper [C] from the disc.

#### CAUTION

Do not loosen the caliper assembly bolts [D]. Take out only the caliper mounting bolts for caliper removal. Loosening the caliper assembly bolts will cause brake fluid leakage.

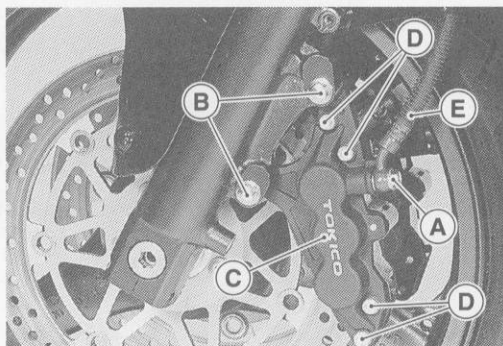
- Unscrew the banjo bolt and remove the brake hose [E] from the caliper (see Brake Hose Removal/Installation).

#### CAUTION

Immediately wash away any brake fluid that spills.

#### NOTE

- If the caliper is to be disassembled after removal and if compressed air is not available, disassemble the caliper before the brake hose is removed (see Front Caliper Disassembly).



#### Rear Caliper Removal

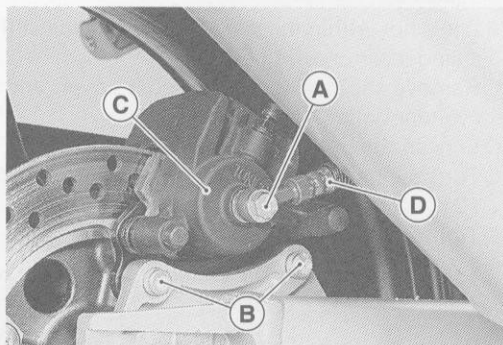
- Loosen the banjo bolt [A] at the brake hose lower end, and tighten it loosely.
- Unscrew the caliper mounting bolts [B], and detach the caliper [C] from the disc.
- Unscrew the banjo bolt and remove the brake hose [D] from the caliper (see Brake Hose Removal/Installation).

#### CAUTION

Immediately wash away any brake fluid that spills.

#### NOTE

- If the caliper is to be disassembled after removal and if compressed air is not available, disassemble the caliper before the brake hose is removed (see Rear Caliper Disassembly).



#### Caliper Installation

- Install the caliper and brake hose lower end.
- Replace the washers that are on each side of hose fitting with new ones.
- Tighten the caliper mounting bolts and banjo bolt.

**Torque – Caliper Mounting Bolts (Front): 34 N-m (3.5 kg-m, 25 ft-lb)**  
**Caliper Mounting Bolts (Rear): 25 N-m (2.5 kg-m, 18.0 ft-lb)**  
**Brake Hose Banjo Bolt: 25 N-m (2.5 kg-m, 18.0 ft-lb)**

- Check the fluid level in the brake reservoirs.
- Bleed the brake line (see Bleeding the Brake Line).
- Check the brake for good braking power, no brake drag, and no fluid leakage.

**▲WARNING**

Do not attempt to drive the motorcycle until a full brake lever or pedal is obtained by pumping the brake lever or pedal until the pads are against the disc. The brakes will not function on the first application of the lever or pedal if this is not done.

**Front Caliper Disassembly**

- Loosen the banjo bolt [A] and front caliper assembly bolts [B], and tighten them loosely.

## ● Remove:

Front Caliper (see Caliper Removal)  
 Brake Pads  
 Front Caliper Assembly Bolts  
 O-rings

- Using compressed air, remove the pistons. One way to remove the pistons is as follows.

- Install a rubber gasket [A] and a wooden board [B] more than 10 mm thick on the caliper half, and fasten them together with a suitable bolt and nut as shown. Leave one of the oil passages [C] open.

- Lightly apply compressed air [D] to the oil passage until the pistons hit the rubber gasket. Block the hose joint opening [E] during this operation if the caliper half has the opening.

[F] Bolt and Nut

[G] Oil Passage sealed by Rubber Gasket.

[H] Push down.

**▲WARNING**

To avoid serious injury, never place your fingers or palm in front of the piston. If you apply compressed air into the caliper, the piston may crush your hand or fingers.

- Pull out the pistons by hand.

- Remove the dust seals [A] and fluid seals [B].

- Remove the bleed valve [C] and rubber cap [D].

- Repeat the previous step to remove the pistons from the other side of the caliper body.

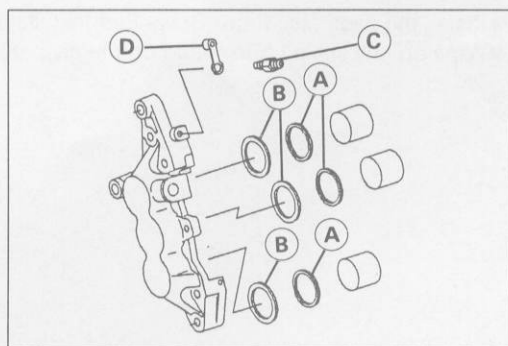
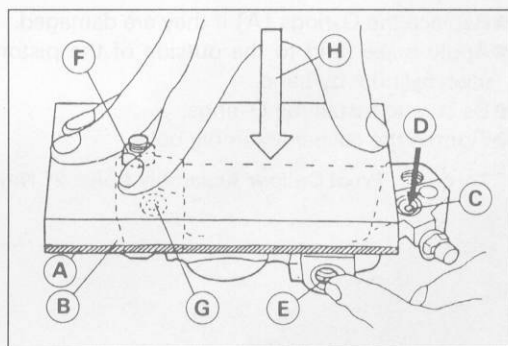
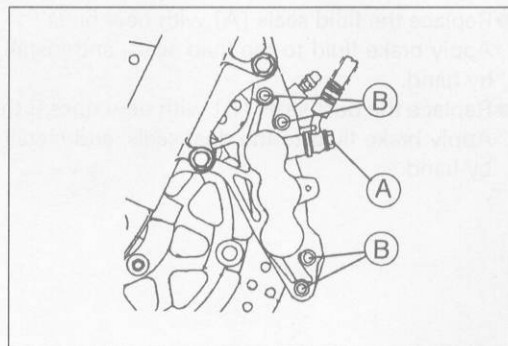
**NOTE**

○ If compressed air is not available, do as follows for both calipers coincidentally, with the brake hose connected to the caliper.

○ Prepare a container for brake fluid, and perform the work above it.

○ Remove the spring and pads (see Front Brake Pad Removal).

○ Pump the brake lever until the pistons come out of the cylinders, and then disassemble the caliper.



## Front Caliper Assembly

- Clean the caliper parts except for the pads.

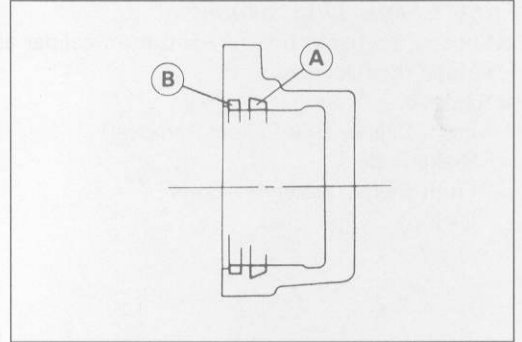
### CAUTION

For cleaning the parts, use only disc brake fluid, isopropyl alcohol, or ethyl alcohol.

- Install the bleed valve and rubber cap.

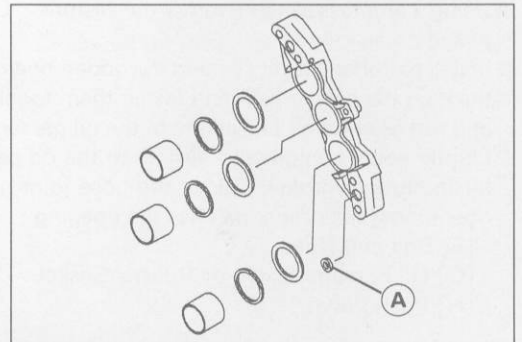
**Torque – Bleed Valve: 7.8 N-m (0.80 kg-m, 69 in-lb)**

- Replace the fluid seals [A] with new ones.
- Apply brake fluid to the fluid seals, and install them into the cylinders by hand.
- Replace the dust seals [B] with new ones if they are damaged.
- Apply brake fluid to the dust seals, and install them into the cylinders by hand.



- Replace the O-rings [A] if they are damaged.
- Apply brake fluid to the outside of the pistons, and push them into each cylinder by hand.
- Be sure to install the O-rings.
- Tighten the caliper assembly bolts.

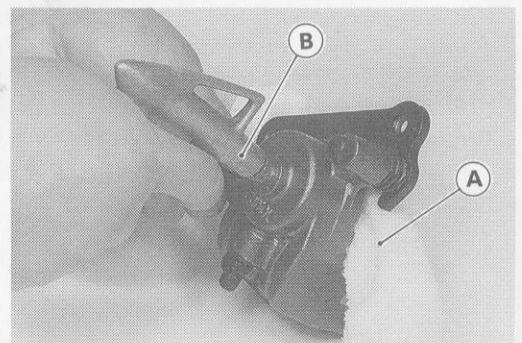
**Torque – Front Caliper Assembly Bolts: 21 N-m (2.1 kg-m, 15.0 ft-lb)**



- Install the pads (see Front Brake Pad Installation).
- Wipe up any spilled brake fluid on the caliper with wet cloth.

## Rear Caliper Disassembly

- Remove the rear caliper.
- Remove the pads and anti-rattle spring (see Rear Brake Pad Removal).
- Remove the piston insulator.
- Using compressed air, remove the piston.
- Cover the caliper opening with a clean, heavy cloth [A].
- Remove the piston by lightly applying compressed air [B] to where the brake line fits into the caliper.



**▲ WARNING**

To avoid serious injury, never place your fingers or palm inside the caliper opening. If you apply compressed air into the caliper, the piston may crush your hand or fingers.

- Remove the dust seal and fluid seal.
- Remove the bleed valve and rubber cap.

**NOTE**

- If compressed air is not available, do as follows with the brake hose connected to the caliper.
- Prepare a container for brake fluid, and perform the work above it.
- Remove the pads and spring (see Rear Brake Pad Removal).
- Pump the brake pedal to remove the caliper piston.

**Rear Caliper Assembly**

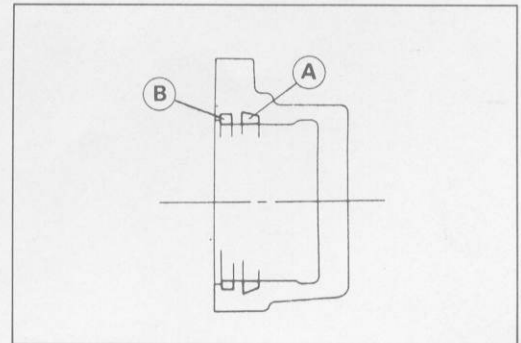
- Clean the caliper parts except for the pads.

**CAUTION**

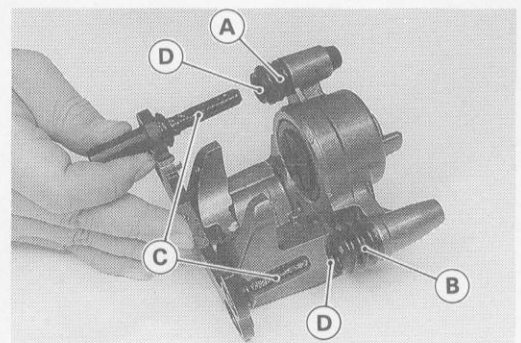
For cleaning the parts, use only disc brake fluid, isopropyl alcohol, or ethyl alcohol.

- Install the bleed valve and rubber cap.
- Torque – Bleed Valve: 7.8 N-m (0.80 kg-m, 69 in-lb)**

- Replace the fluid seal [A] with a new one.
- Apply brake fluid to the fluid seal, and install it into the cylinder by hand.
- Replace the dust seal [B] with a new one if it is damaged.
- Apply brake fluid to the dust seal, and install it into the cylinder by hand.



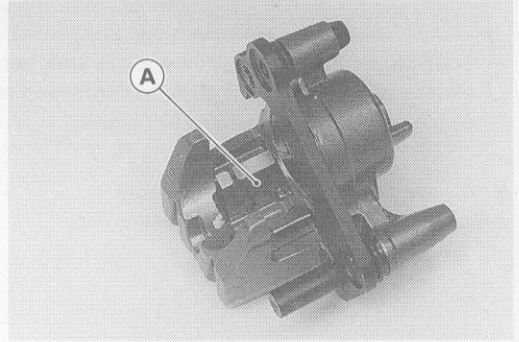
- Apply brake fluid to the outside of the piston, and push it into the cylinder by hand.
- Replace the shaft rubber friction boot [A] and dust cover [B] if they are damaged.
- Apply a thin coat of PBC (Poly Butyl Cuprysil) grease to the caliper holder shafts [C] and holder holes [D] (PBC is a special high temperature, water-resistance grease).



## 11-10 BRAKES

---

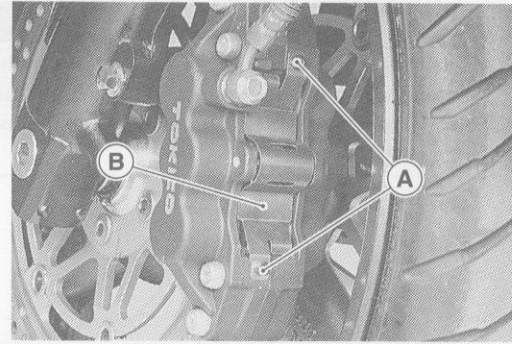
- Install the anti-rattle spring [A] in the caliper as shown.
- Install the piston insulator.
- Install the pads (see Rear Brake Pad Installation).
- Wipe up any spilled brake fluid on the caliper with wet cloth.



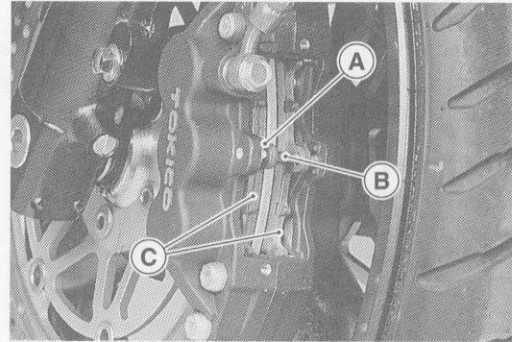
## Brake Pads

### Front Brake Pad Removal

- Unscrew the pad spring bolts [A], and remove the pad spring [B].



- Draw out the clip [A], and take off the pad pin [B].
- Remove the brake pads [C].



### Front Brake Pad Installation

- Push the caliper pistons in by hand as far as they will go.
- Install the brake pads.
- Install the pad pin and clip. The clip must be "outside" of the pads.
- Install the caliper (see Caliper Installation).

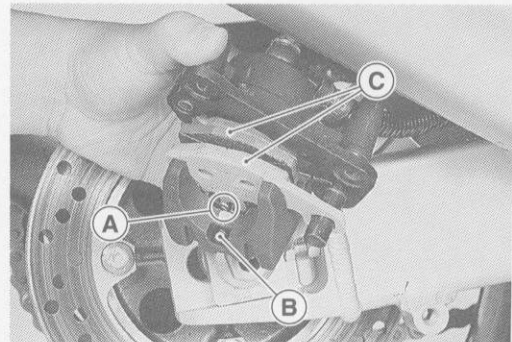
**Torque – Front Brake Pad Spring Bolts: 2.9 N-m (0.30 kg-m, 26 in-lb)**

#### ▲ WARNING

Do not attempt to drive the motorcycle until a full brake lever is obtained by pumping the brake lever until the pads are against the disc. The brake will not function on the first application of the lever if this is not done.

### Rear Brake Pad Removal

- Unscrew the caliper mounting bolts.
- Detach the caliper from the disc.
- Draw out the clip [A], and take off the pad pin [B].
- Remove the brake pads [C].



### Rear Brake Pad Installation

- Push the caliper piston in by hand as far as it will go.
- Install the anti-rattle spring in place.
- Install the brake pads.
- Install the pad pin and clip. The clip must be "outside" of the pads.
- Install the caliper (see Caliper Installation).

**⚠ WARNING**

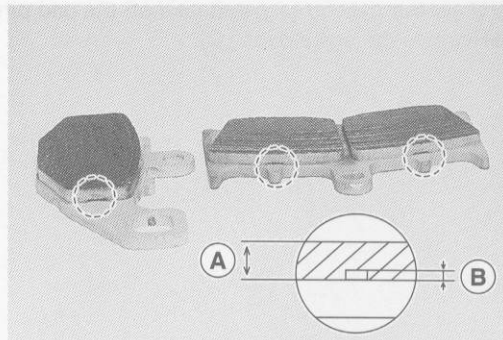
Do not attempt to drive the motorcycle until a full brake pedal is obtained by pumping the brake pedal until the pads are against the disc. The brake will not function on the first application of the pedal if this is not done.

**Lining Wear**

- Check the lining thickness [A] of the pads in each caliper.
- ★ If the lining thickness of either pad is less than the service limit [B], replace both pads in the caliper as a set.

**Pad Lining Thickness**

<b>Standard:</b>	<b>Front</b>	<b>4 mm</b>
	<b>Rear</b>	<b>5 mm</b>
<b>Service Limit</b>		<b>1 mm</b>

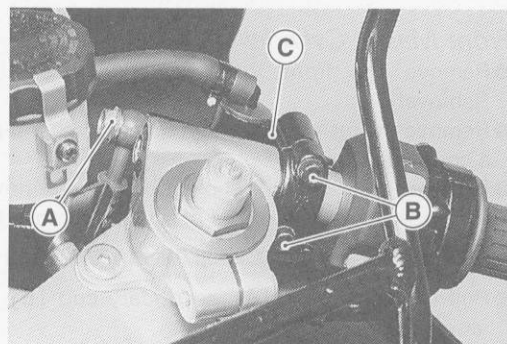
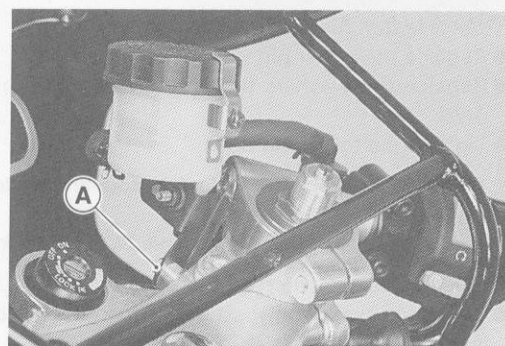




## Master Cylinder

### Front Master Cylinder Removal

- Loosen the reservoir bracket bolts [A].
- Disconnect the front brake light switch connectors.
- Remove the banjo bolt [A] to disconnect the brake hose from the master cylinder (see Brake Hose Removal/Installation).
- Unscrew the clamp bolts [B], and take off the master cylinder [C] as an assembly with the reservoir, brake lever, and brake switch installed.



### Front Master Cylinder Installation

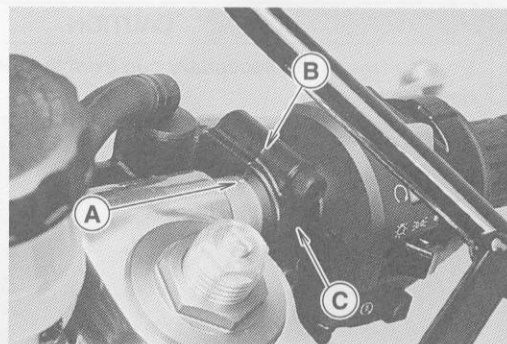
- Align the punch mark [A] on the handlebar with the mating surface [B] of the master cylinder clamps.
- The master cylinder clamp must be installed with the arrow mark [C] upward.
- Apply grease to the clamp bolts.
- Tighten the upper clamp bolt first, and then the lower clamp bolt. There will be a gap at the lower part of the clamp after tightening.

**Torque – Front Master Cylinder Clamp Bolts: 11 N-m (1.1 kg-m, 95 in-lb)**

- Replace the washers that are on each side of the hose fitting with new ones.
- Tighten the brake hose banjo bolt.

**Torque – Brake Hose Banjo Bolt: 25 N-m (2.5 kg-m, 18.0 ft-lb)**

- Bleed the brake line (see Bleeding the Brake Line).
- Check the brake for good braking power, no brake drag, and no fluid leakage.



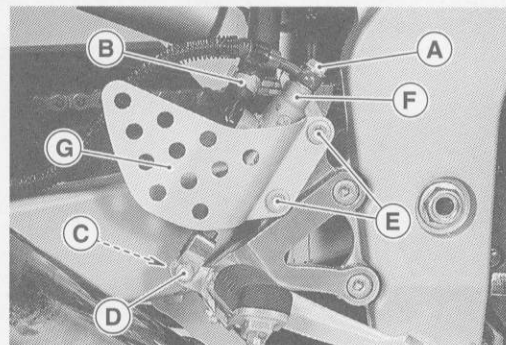
### Rear Master Cylinder Removal

- Unscrew the brake hose banjo bolt [A] on the master cylinder (see Brake Hose Removal/Installation).
- Pull off the reservoir hose lower end [B], and drain the brake fluid into a container.
- Remove the cotter pin [C] and joint pin [D].

#### NOTE

○ Pull off the joint pin while pressing down the brake pedal.

- Unscrew the master cylinder mounting bolts [E], and take off the master cylinder [F] and master cylinder cover [G].



## Rear Master Cylinder Installation

- Replace the cotter pin with a new one.
- Replace the washers that are on each side of hose fitting with new ones.
- Tighten the following bolts.

**Torque – Rear Master Cylinder Mounting Bolts: 23 N-m (2.3 kg-m, 16.5 ft-lb)**

**Brake Hose Banjo Bolt: 25 N-m (2.5 kg-m, 18.0 ft-lb)**

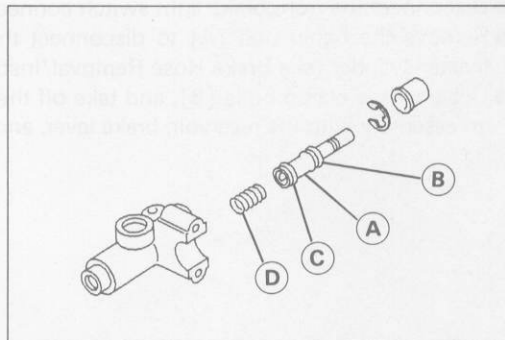
- Bleed the brake line (see Bleeding the Brake Line).
- Check the brake for good braking power, no brake drag, and no fluid leakage.

## Front Master Cylinder Disassembly

- Remove the front master cylinder (see Front Master Cylinder Removal).
- Remove the reservoir cap and diaphragm, and pour the brake fluid into a container.
- Unscrew the locknut and pivot bolt, and remove the brake lever.
- Push the dust cover out of place, and remove the circlip.

**Special Tool – Inside Circlip Pliers: 57001-143**

- Pull out the piston [A], secondary cup [B], primary cup [C], and return spring [D].



### CAUTION

**Do not remove the secondary cup from the piston since removal will damage it.**

## Rear Master Cylinder Disassembly

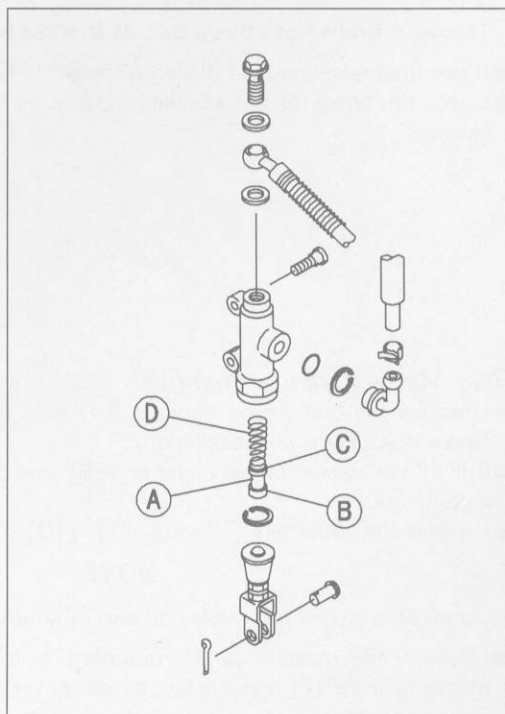
- Remove the rear master cylinder (see Rear Master Cylinder Removal).
- Slide the dust cover on the push rod out of place, and remove the circlip.

**Special Tool – Inside Circlip Pliers: 57001-143**

- Pull out the push rod with the piston stop.
- Take off the piston [A], secondary cup [B], primary cup [C], and return spring [D].

### CAUTION

**Do not remove the secondary cup from the piston since removal will damage it.**



### Master Cylinder Assembly

- Before assembly, clean all parts including the master cylinder with brake fluid or alcohol.

#### CAUTION

Except for the disc pads and disc, use only disc brake fluid, isopropyl alcohol, or ethyl alcohol for cleaning brake parts. Do not use any other fluid for cleaning these parts, Gasoline, engine oil, or any other petroleum distillate will cause deterioration of the rubber parts. Oil spilled on any part will be difficult to wash off completely, and will eventually deteriorate the rubber used in the disc brake.

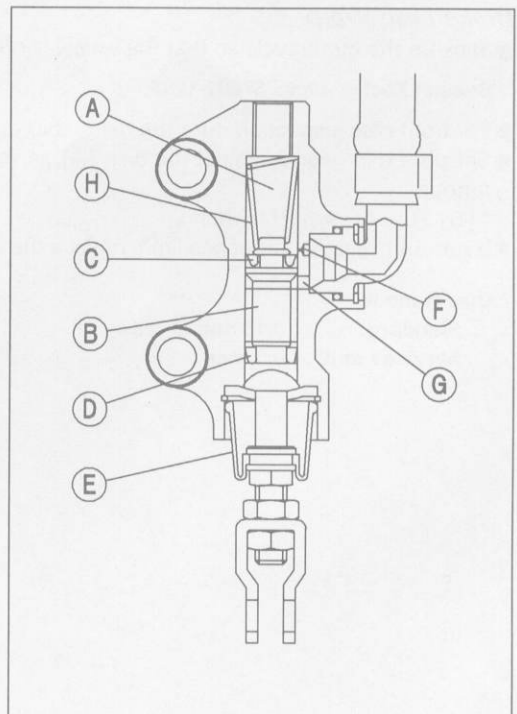
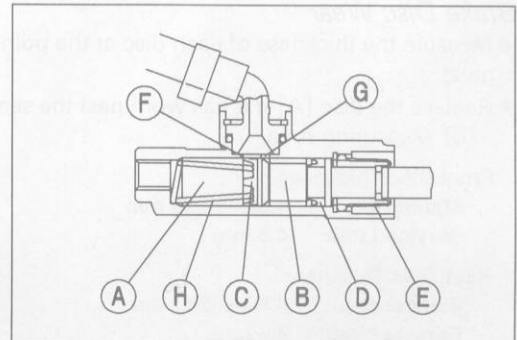
- Apply brake fluid to the removed parts and to the inner wall of the cylinder.
- Take care not to scratch the piston or the inner wall of the cylinder.
- Tighten the brake lever pivot bolt and the locknut.

**Torque – Brake Lever Pivot Bolt: 1.0 N-m (0.10 kg-m, 9 in-lb)**

**Brake Lever Pivot Bolt Locknut: 5.9 N-m (0.60 kg-m, 52 in-lb)**

### Master Cylinder Inspection (Visual Inspection)

- Disassemble the front and rear master cylinders.
- Check that there are no scratches, rust or pitting on the inner wall of each master cylinder [A] and on the outside of each piston [B].
- ★ If a master cylinder or piston shows any damage, replace them.
- Inspect the primary [C] and secondary [D] cups.
- ★ If a cup is worn, damaged softened (rotted), or swollen, the piston assembly should be replaced to renew the cups.
- ★ If fluid leakage is noted at the brake lever, the piston assembly should be replaced to renew the cups.
- Check the dust covers [E] for damage.
- ★ If they are damaged, replace them.
- Check that relief [F] and supply [G] ports are not plugged.
- ★ If the relief port becomes plugged, the brake pads will drag on the disc. Blow the ports clean with compressed air.
- Check the piston return springs [H] for any damage.
- ★ If the springs are damaged, replace them.

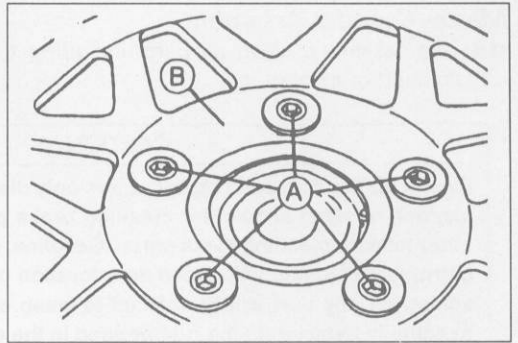


## 11-16 BRAKES

### Brake Disc

#### Brake Disc Removal

- Remove the wheel (see Wheels/Tires chapter).
- Unscrew the mounting bolts [A], and take off the disc [B].



#### Brake Disc Installation

- Install the brake disc on the wheel so that the marked side faces out.
- Apply a non-permanent locking agent to the threads of the rear brake disc mounting bolts.
- Tighten the mounting bolts.

**Torque – Brake Disc Mounting bolts: 23 N-m (2.3 kg-m, 16.5 ft-lb)**

#### Brake Disc Wear

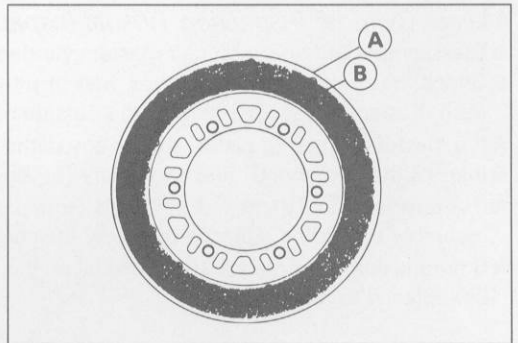
- Measure the thickness of each disc at the point where it has worn the most.
- ★ Replace the disc [A] if it has worn past the service limit.  
[B] Measuring Area

##### Front Disc Thickness

**Standard:** 4.85 ~ 5.15 mm  
**Service Limit:** 4.5 mm

##### Rear Disc Thickness

**Standard:** 4.80 ~ 5.15 mm  
**Service Limit:** 4.5 mm

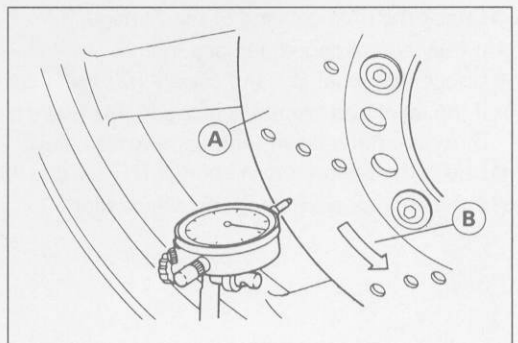


#### Brake Disc Warp

- Jack up the motorcycle so that the wheel is off the ground.
- Special Tool – Jack: 57001-1238**
- For front disc inspection, turn the handlebar fully to one side.
- Set up a dial gauge against the disc [A] as shown and measure disc runout.
- [B] Turn the wheel by hand.
- ★ If runout exceeds the service limit, replace the disc.

##### Disc Runout

**Standard:** 0.15 mm or less  
**Service Limit:** 0.3 mm



## Brake Fluid

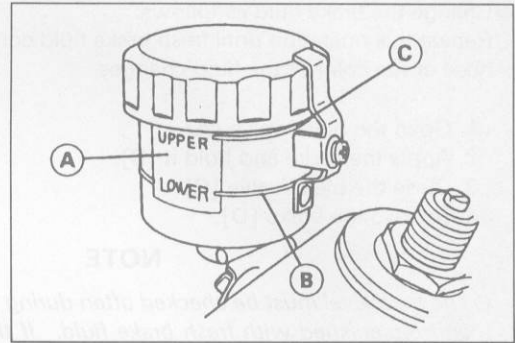
### Level Inspection

- Check that the brake fluid level in the front brake reservoir [A] is above the lower level line [B].

#### NOTE

○ Hold the reservoir horizontal by turning the handlebar when checking brake fluid level.

- ★ If the fluid level is lower than the lower level line, fill the reservoir to the upper level line [C] in the reservoir.

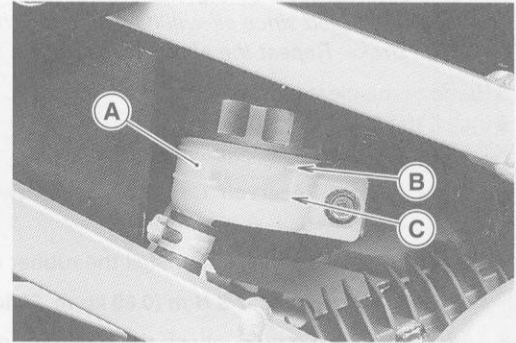


- Check that the brake fluid level in the rear brake reservoir [A] is between the upper [B] and the lower [C] level lines.

- ★ If the fluid level is lower than the lower level line, remove the fuel tank and fill the reservoir to the upper level line.

#### ⚠ WARNING

Change the brake fluid in the brake line completely if the brake fluid must be refilled but the type and brand of the brake fluid that is already in the reservoir are unidentified. After changing the fluid, use only the same type and brand of fluid thereafter.



### Recommended Disc Brake Fluid

Grade: D.O.T.4

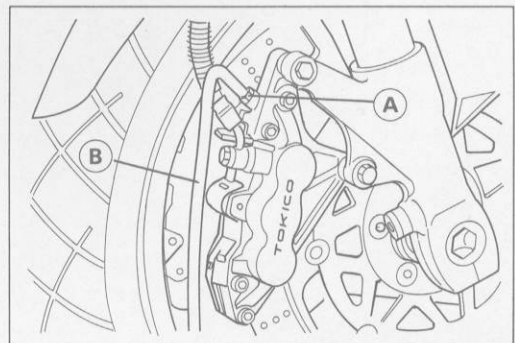
Brand: Castrol Girling-Universal  
Castrol GT (LMA)  
Castrol Disc Brake Fluid  
Check Shock Premium Heavy Duty

### Brake Fluid Change

#### NOTE

○ The procedure to change the front brake fluid is as follows.  
Changing the rear brake fluid is the same as for the front brake.

- Level the brake fluid reservoir.
- Remove the reservoir cap.
- Remove the rubber cap from the bleed valve [A] on the caliper.
- Attach a clear plastic hose [B] to the bleed valve, and run the other end of the hose into a container.
- Fill the reservoir with fresh specified brake fluid.



- Change the brake fluid as follows:
- Repeat this operation until fresh brake fluid comes out from the plastic hose or the color of the fluid changes.

1. Open the bleed valve [A].
2. Apply the brake and hold it [B].
3. Close the bleed valve [C].
4. Release the brake [D].

### NOTE

- *The fluid level must be checked often during the changing operation and replenished with fresh brake fluid. If the fluid in the reservoir runs out any time during the changing operation, the brakes will need to be bled since air will have entered the brake line.*
- *Front Brake: Repeat the above steps for the other caliper.*

- Remove the clear plastic hose.
- Install the reservoir cap.
- Tighten the front reservoir cap stopper screw.

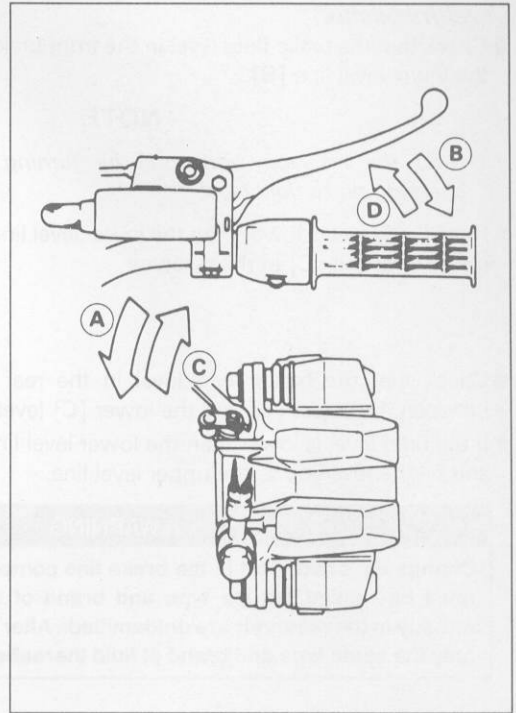
**Torque – Front Reservoir Cap Stopper Screw: 1.0 N-m (0.10 kg-m, 9 in-lb)**

- Tighten the bleed valve, and install the rubber cap.

**Torque – Bleed Valve: 7.8 N-m (0.80 kg-m, 69 in-lb)**

- After changing the fluid, check the brake for good braking power, no brake drag, and no fluid leakage.

★ If necessary, bleed the air from the lines.



### Bleeding the Brake Line

The brake fluid has a very low compression coefficient so that almost all the movement of the brake lever or pedal is transmitted directly to the caliper for braking action. Air, however, is easily compressed. When air enters the brake lines, brake lever or pedal movement will be partially used in compressing the air. This will make the lever or pedal feel spongy, and there will be a loss in braking power.

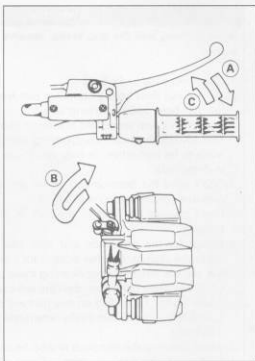
### ⚠ WARNING

**Be sure to bleed the air from the brake line whenever brake lever or pedal action feels soft or spongy after the brake fluid is changed, or whenever a brake line fitting has been loosened for any reason.**

## NOTE

○ *The procedure to bleed the front brake line is as follows. Bleeding the rear brake line is the same as for the front brake.*

- Remove the reservoir cap, and fill the reservoir with fresh brake fluid to the upper level line in the reservoir.
- With the reservoir cap off, slowly pump the brake lever several times until no air bubbles can be seen rising up through the fluid from the holes at the bottom of the reservoir.
- Bleed the air completely from the master cylinder by this operation.
- Install the reservoir cap.
- Remove the rubber cap from the bleed valve on the caliper.
- Attach a clear plastic hose to the bleed valve, and run the other end of the hose into a container.
- Bleed the brake line and the caliper as follows:
- Repeat this operation until no more air can be seen coming out into the plastic hose.
  1. Pump the brake lever until it becomes hard, and apply the brake and hold it [A].
  2. Quickly open and close [B] the bleed valve while holding the brake applied.
  3. Release the brake [C].



## NOTE

- *The fluid level must be checked often during the bleeding operation and replenished with fresh brake fluid as necessary. If the fluid in the reservoir runs completely out any time during bleeding, the bleeding operation must be done over again from the beginning since air will have entered the line.*
- *Tap the brake hose lightly from the caliper to the reservoir for more complete bleeding.*
- *Front Brake: Repeat the above steps for the other caliper.*

- Remove the clear plastic hose.
- Install the reservoir cap.
- Tighten the front reservoir cap stopper screw.

**Torque – Front Reservoir Cap Stopper Screw: 1.0 N-m (0.10 kg-m, 9 in-lb)**

- Tighten the bleed valve, and install the rubber cap.

**Torque – Bleed Valve: 7.8 N-m (0.80 kg-m, 69 in-lb)**

- Check the fluid level.
- After bleeding is done, check the brake for good braking power, no brake drag, and no fluid leakage.

### ⚠WARNING

**When working with the disc brake, observe the precautions listed below.**

1. Never reuse old brake fluid.
2. Do not use fluid from a container that has been left unsealed or that has been open for a long time.
3. Do not mix two types and brands of fluid for use in the brake. This lowers the brake fluid boiling point and could cause the brake to be ineffective. It may also cause the rubber brake parts to deteriorate.
4. Don't leave the reservoir cap off for any length of time to avoid moisture contamination of the fluid.
5. Don't change the fluid in the rain or when a strong wind is blowing.
6. Except for the disc pads and disc, use only disc brake fluid, isopropyl alcohol, or ethyl alcohol for cleaning brake parts. Do not use any other fluid for cleaning these parts. Gasoline, engine oil, or any other petroleum distillate will cause deterioration of the rubber parts. Oil spilled on any part will be difficult to wash off completely and will eventually deteriorate the rubber used in the disc brake.
7. When handling the disc pads or disc, be careful that no disc brake fluid or any oil gets on them. Clean off any fluid or oil that inadvertently gets on the pads or disc with a high-flash point solvent. Do not use one which will leave an oily residue. Replace the pads with new ones if they cannot be cleaned satisfactorily.
8. Brake fluid quickly ruins painted surfaces; any spilled fluid should be completely wiped up immediately.
9. If any of the brake line fittings or the bleed valve is opened at any time, the **AIR MUST BE BLED FROM THE BRAKE LINE.**



---

## Brake Hose

---

### *Brake Hose Removal/Installation*

CAUTION
<b>Brake fluid quickly ruins painted or plastic surfaces; any spilled fluid should be completely wiped up immediately with wet cloth.</b>

- When removing the brake hose, take care not to spill the brake fluid on the painted or plastic parts.
- When removing the brake hose, temporarily secure the end of the brake hose to some high place to keep fluid loss to a minimum.
- There are washers on each side of the brake hose fitting. Replace them with new ones when installing.
- When installing the hoses, avoid sharp bending, kinking, flattening or twisting, and route the hoses according to Hose Routing section in General Information chapter.
- Tighten the banjo bolts at the hose fittings.

**Torque – Brake Hose Banjo Bolts: 25 N-m (2.5 kg-m, 18.0 ft-lb)**

- Bleed the brake line after installing the brake hose (see Bleeding the Brake Line).

### *Brake Hose Inspection*

- The high pressure inside the brake line can cause fluid to leak or the hose to burst if the line is not properly maintained. Bend and twist the rubber hose while examining it.
- ★ Replace it if any cracks or bulges are noticed.

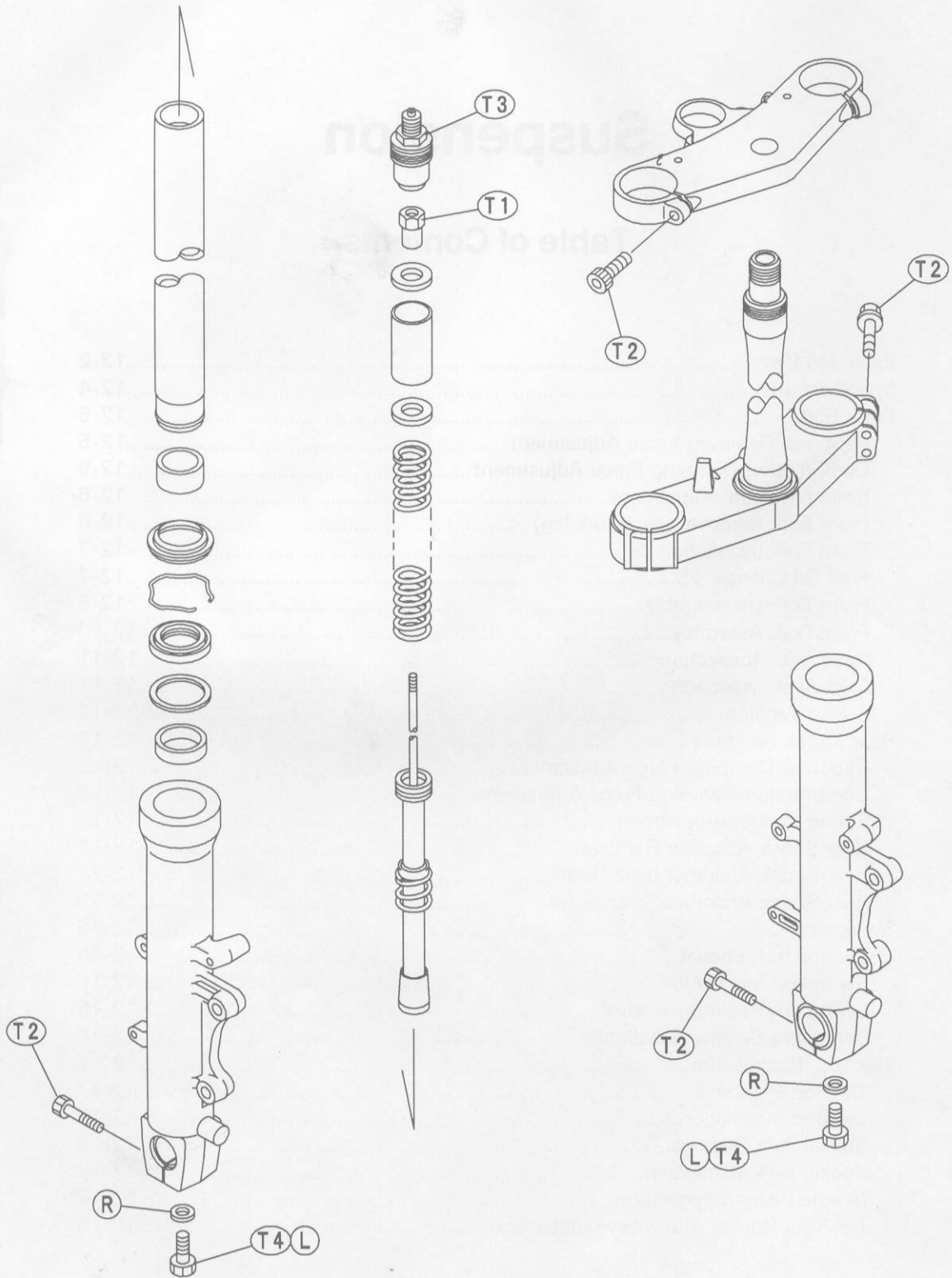
# Suspension

## Table of Contents

Exploded View .....	12-2
Specifications .....	12-4
Front Fork.....	12-5
Rebound Damping Force Adjustment .....	12-5
Compression Damping Force Adjustment.....	12-5
Spring Preload Adjustment .....	12-6
Front Fork Removal (each fork leg).....	12-6
Front Fork Installation.....	12-7
Fork Oil Change.....	12-7
Front Fork Disassembly .....	12-9
Front Fork Assembly.....	12-10
Inner Tube Inspection .....	12-11
Dust Seal Inspection .....	12-11
Spring Tension.....	12-12
Rear Shock Absorber .....	12-13
Rebound Damping Force Adjustment .....	12-13
Compression Damping Force Adjustment.....	12-13
Spring Preload Adjustment .....	12-13
Rear Shock Absorber Removal .....	12-14
Rear Shock Absorber Installation.....	12-14
Rear Shock Absorber Scrapping .....	12-15
Swingarm .....	12-16
Swingarm Removal .....	12-16
Swingarm Installation.....	12-16
Swingarm Bearing Removal.....	12-16
Swingarm Bearing Installation .....	12-16
Tie-Rod, Rocker Arm .....	12-17
Tie-Rod Removal.....	12-17
Tie-Rod Installation .....	12-17
Rocker Arm Removal.....	12-17
Rocker Arm Installation .....	12-17
Needle Bearing Inspection .....	12-18
Tie-Rod, Rocker Arm Sleeve Inspection.....	12-18

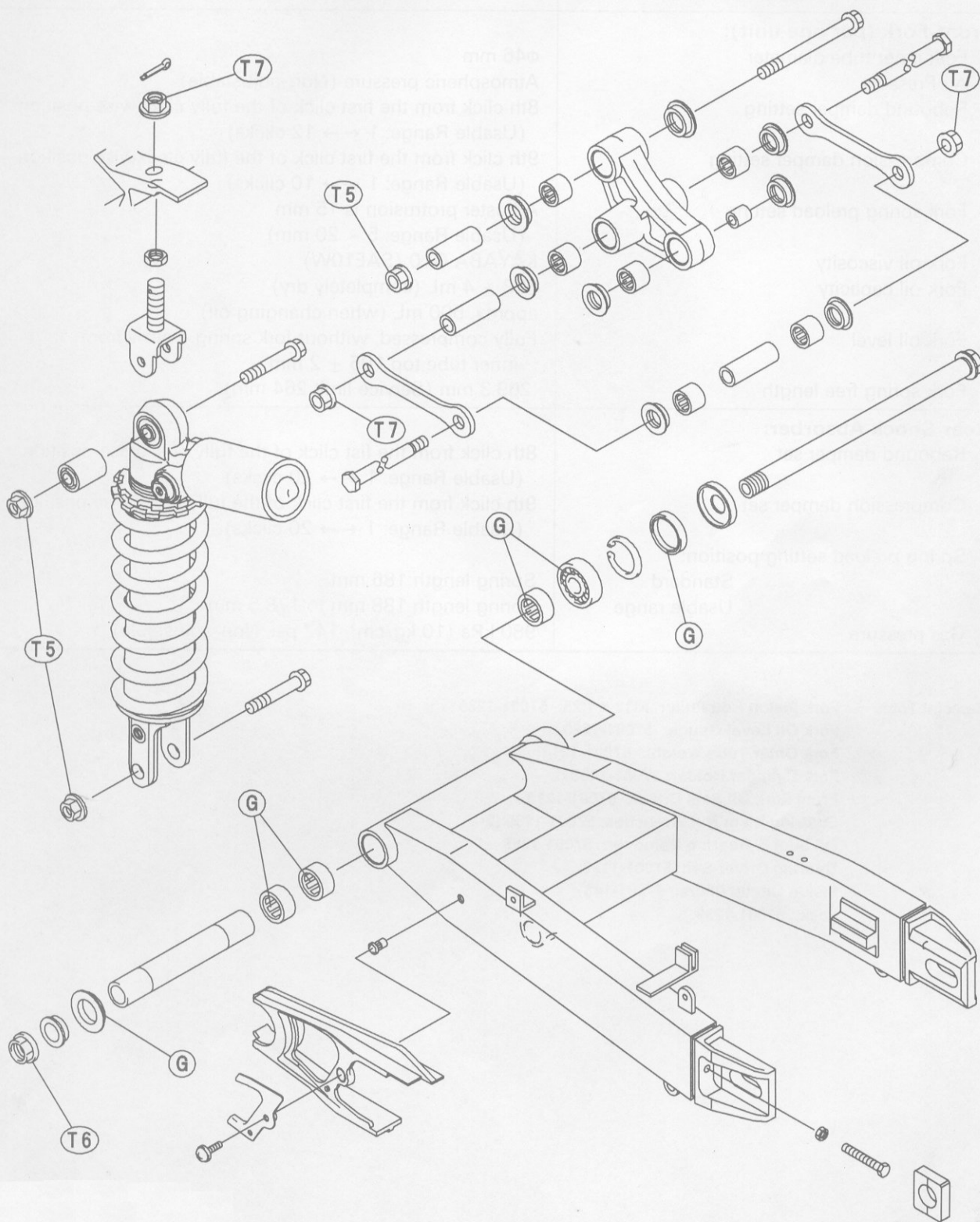
# 12-2 SUSPENSION

## Exploded View



L: Apply a non-permanent locking agent.  
R: Replacement Parts

T1: 28 N-m (2.9 kg-m, 21 ft-lb)  
T2: 20 N-m (2.0 kg-m, 14.5 ft-lb)  
T3: 23 N-m (2.3 kg-m, 16.5 ft-lb)  
T4: 39 N-m (4.0 kg-m, 29 ft-lb)



G: Apply grease.

T5: 34 N-m (3.5 kg-m, 25 ft-lb)

T6: 110 N-m (11.0 kg-m, 80 ft-lb)

T7: 59 N-m (6.0 kg-m, 43 ft-lb)

## 12-4 SUSPENSION

### Specifications

Item	Standard
<b>Front Fork (per one unit):</b>	
Fork inner tube diameter	φ46 mm
Air Pressure	Atmospheric pressure (Non-adjustable)
Rebound damper setting	8th click from the first click of the fully clockwise position (Usable Range: 1 ↔ 12 clicks)
Compression damper setting	9th click from the first click of the fully clockwise position (Usable Range: 1 ↔ 10 clicks)
Fork spring preload setting	Adjuster protrusion is 15 mm (Usable Range: 5 ~ 20 mm)
Fork oil viscosity	KAYABA G10 (SAE10W)
Fork oil capacity	588 ± 4 mL (completely dry) approx. 500 mL (when changing oil)
Fork oil level	Fully compressed, without fork spring, below from inner tube top 105 ± 2 mm
Fork spring free length	269.3 mm (Service limit 264 mm)
<b>Rear Shock Absorber:</b>	
Rebound damper set	8th click from the first click of the fully clockwise position (Usable Range: 1 ↔ 20 clicks)
Compression damper set	9th click from the first click of the fully clockwise position (Usable Range: 1 ↔ 20 clicks)
Spring preload setting position:	
Standard	Spring length 186 mm
Usable range	Spring length 188 mm to 178.5 mm
Gas pressure	980 kPa (10 kg/cm <sup>2</sup> , 142 psi, Non-adjustable)

**Special Tools – Fork Piston Rod Puller, M12 x 1.25: 57001-1289**

**Fork Oil Level Gauge: 57001-1290**

**Fork Outer Tube Weight: 57001-1218**

**Fork Cylinder Holder: 57001-1406**

**Front Fork Oil Seal Driver: 57001-1219**

**Steering Stem Nut Wrenches: 57001-1100 (2)**

**Oil Seal & Bearing Remover: 57001-1058**

**Bearing Driver Set: 57001-1129**

**Inside Circlip Pliers: 57001-143**

**Jack: 57001-1238**

**Front Fork**

**Rebound Damping Force Adjustment**

- To adjust the rebound damping force, turn the rebound damping adjuster [A] until you feel a click.
- The standard adjuster setting for the average-build rider of 68 kg (150 lb) with no passenger and no accessories is the **8th click** from the 1st click of the fully clockwise position.

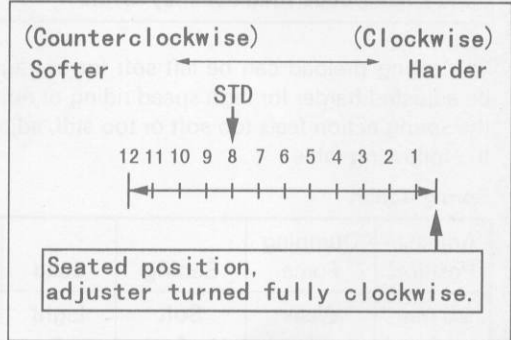
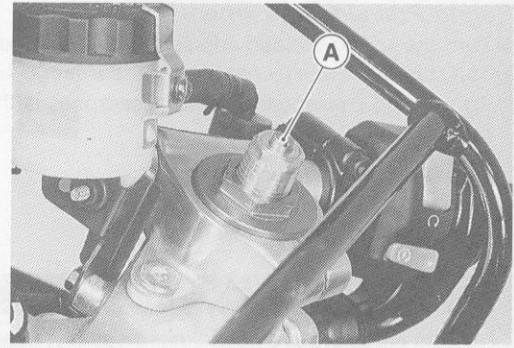
**⚠ WARNING**

**If both adjusters are not adjusted equally, handling may be impaired and a hazardous condition may result.**

- The damping force can be left soft for average riding. But it should be adjusted harder for high speed riding or riding with a passenger. If the damping feels too soft or too stiff, adjust it in accordance with the following table.

**Rebound Damping Force Adjustment**

Adjuster Position	Damping Force	Setting	Load	Road	Speed
12 ↑ ↓ 1	Weak ↑ ↓ Strong	Soft ↑ ↓ Hard	Light ↑ ↓ Heavy	Good ↑ ↓ Bad	Low ↑ ↓ High



**Compression Damping Force Adjustment**

- To adjust the compression damping force, turn the compression damping adjuster [A] until you feel a click.
- The standard adjuster setting for the average-build rider of 68 kg (150 lb) with no passenger and no accessories is the **9th click** from the 1st click of the fully clockwise position.

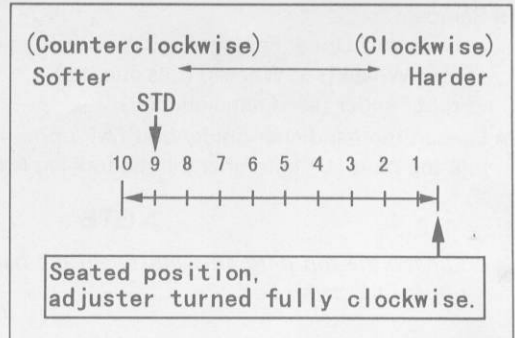
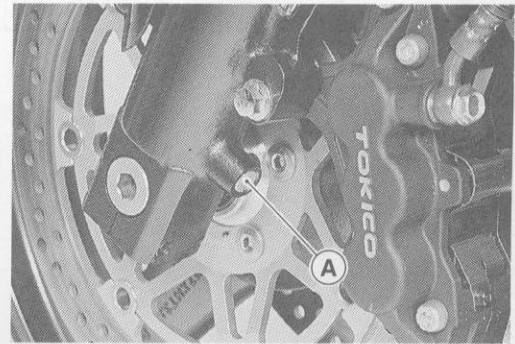
**⚠ WARNING**

**If both adjusters are not adjusted equally, handling may be impaired and a hazardous condition may result.**

- The damping force can be left soft for average riding. But it should be adjusted harder for high speed riding or riding with a passenger. If the damping feels too soft or too stiff, adjust it in accordance with the following table.

**Compression Damping Force Adjustment**

Adjuster Position	Damping Force	Setting	Load	Road	Speed
10 ↑ ↓ 1	Weak ↑ ↓ Strong	Soft ↑ ↓ Hard	Light ↑ ↓ Heavy	Good ↑ ↓ Bad	Low ↑ ↓ High



## Spring Preload Adjustment

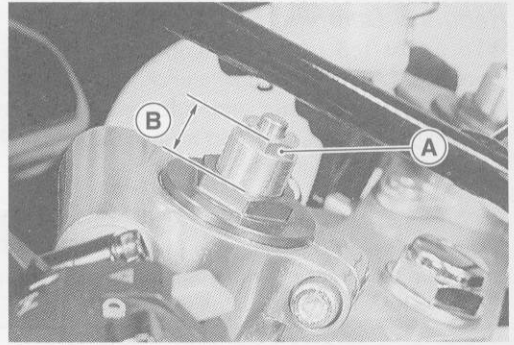
- Turn the spring preload adjuster [A] to change spring preload setting.
- The standard adjuster setting for the average-build rider of 68 kg (150 lb) with no passenger and no accessories is the 15 mm [B] from top as shown.

### Adjuster Protrusion (from top)

**Standard:** 15 mm  
**Usable Range** 5 ~ 20 mm

### ⚠ WARNING

**If both adjusters are not adjusted equally, handling may be impaired and a hazardous condition may result.**



- The spring preload can be left soft for average riding. But it should be adjusted harder for high speed riding or riding with a passenger. If the spring action feels too soft or too stiff, adjust it in accordance with the following table.

### Spring Action

Adjuster Position	Dumping Force	Setting	Load	Road	Speed
20 mm	Weak	Soft	Light	Good	Low
↑ ↓	↑ ↓	↑ ↓	↑ ↓	↑ ↓	↑ ↓
5 mm	Strong	Hard	Heavy	Bad	High

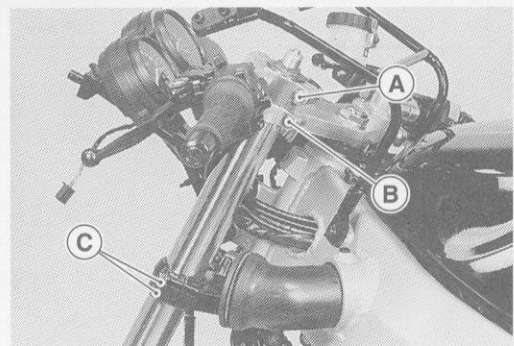
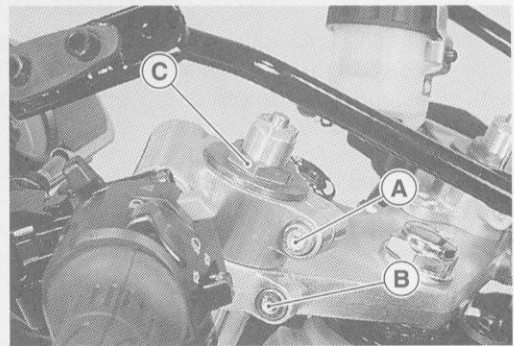
## Front Fork Removal (each fork leg)

- Remove:
  - Lower and Upper Fairings (see Frame chapter)
  - Front Wheel (see Wheels/Tires chapter)
  - Front Fender (see Frame chapter)
- ★ Loosen the handlebar holder bolt [A], upper fork clamp bolt [B] and fork top plug [C] beforehand if the fork leg is to be disassembled.

### NOTE

- Loosen the top plug after loosening the handlebar holder bolt and upper fork clamp bolt.

- Loosen the handlebar holder bolt [A], upper fork clamp bolt [B] and lower fork clamp bolts [C].
- With a twisting motion, work the fork leg down and out.



### Front Fork Installation

- Install the fork so that the top end [A] of the inner tube is flush with the upper surface [B] of the handlebar holder.
- Tighten the lower fork clamp bolt and fork top bolt.

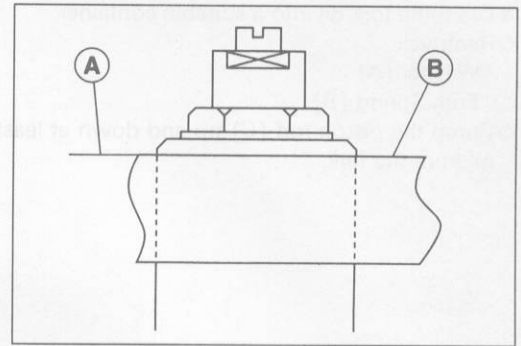
**Torque – Front Fork Clamp Bolt (Lower): 20 N-m (2.0 kg-m, 14.5 ft-lb)**  
**Front Fork Top Plug: 23 N-m (2.3 kg-m, 16.5 ft-lb)**

- Tighten the handlebar holder bolt and upper fork clamp bolt.

**Torque – Handlebar Holder Bolt: 23 N-m (2.3 kg-m, 16.5 ft-lb)**  
**Front Fork Clamp Bolt (Upper): 20 N-m (2.0 kg-m, 14.5 ft-lb)**

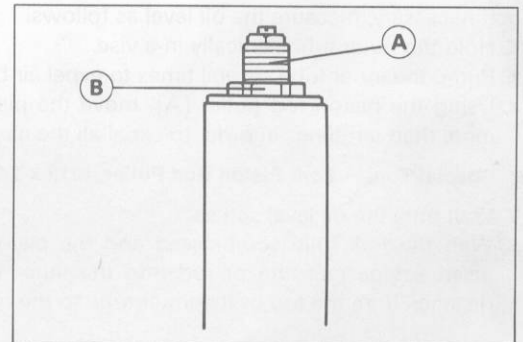
### NOTE

- Tighten the top plug before tightening the handlebar holder bolt and upper fork clamp bolt.
- Install the removed parts (see appropriate chapters).
- Adjust the spring preload and the damping force.

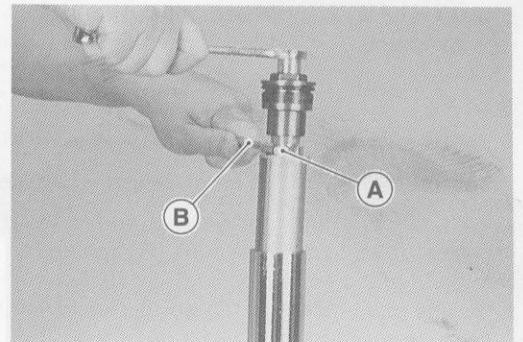


### Fork Oil Change

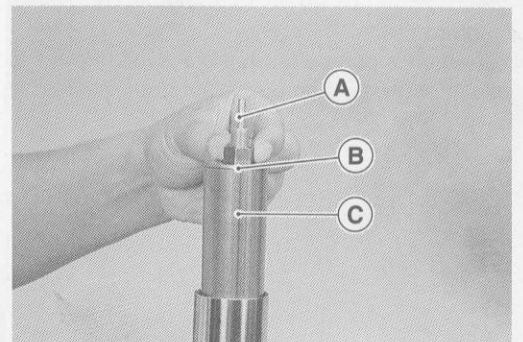
- Remove the front fork (see Front Fork Removal).
- Turn the spring preload adjuster [A] counterclockwise until the fully position.
- Unscrew the top plug [B] out of the inner tube.



- Holding the piston rod nut [A] with a wrench [B], remove the fork top plug from the piston rod.



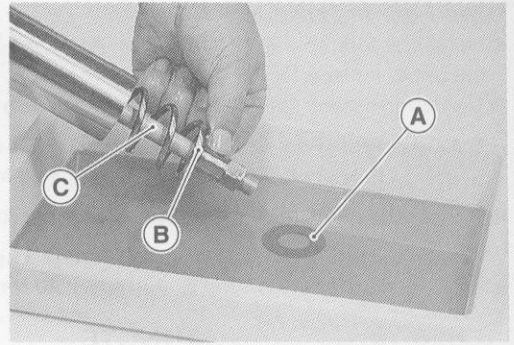
- Remove:
  - Rebound Damping Adjuster Rod [A]
  - Washer [B]
  - Spacer [C]





## 12-8 SUSPENSION

- Drain the fork oil into a suitable container.
- Remove:
  - Washer [A]
  - Fork Spring [B]
- Pump the piston rod [C] up and down at least ten times to expel the oil from the fork.



- Hold the fork tube upright, press the inner tube and the piston rod all the way down.
- Pour in the type and amount of fork oil specified.

### Fork Oil

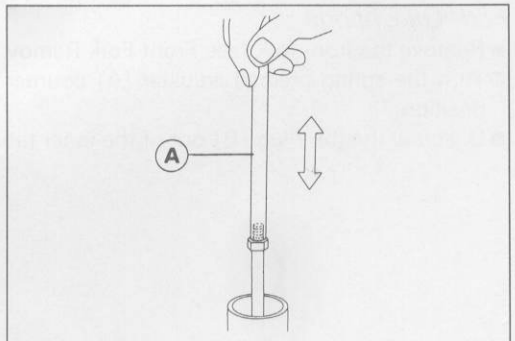
<b>Viscosity:</b>	<b>SAE 10W</b>
<b>Amount (per side)</b>	
<b>When changing oil:</b>	<b>approx. 500 mL</b>
<b>After disassembly and completely dry:</b>	<b>588 ± 4 mL</b>

★ If necessary, measure the oil level as follows.

- Hold the outer tube vertically in a vise.
- Pump the inner tube several times to expel air bubbles.
- Using the piston rod puller [A], move the piston rod up and down more than ten times in order to expel all the air from the fork oil.

**Special Tool – Fork Piston Rod Puller, M12 x 1.25: 57001-1289**

- Wait until the oil level settles.
- With the fork fully compressed and the piston rod fully pushed in, insert a tape measure or rod into the inner tube, and measure the distance from the top of the inner tube to the oil.



### Oil Level (fully compressed, without spring)

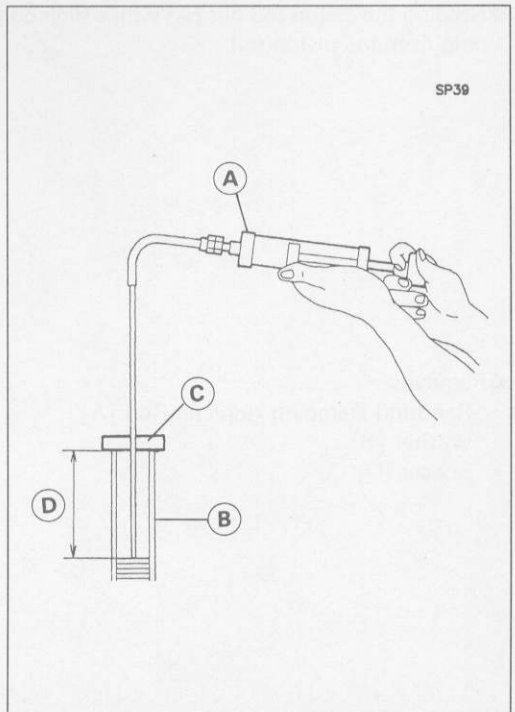
**Standard: 105 ± 2 mm (from the top of the inner tube)**

### NOTE

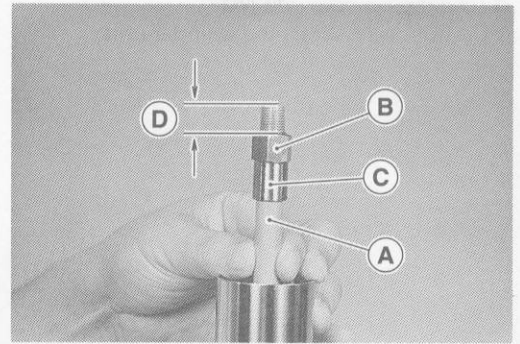
○ Fork oil level may also be measured using the fork oil level gauge.

**Special Tool – Fork Oil Level Gauge: 57001-1290 [A]**

- With the fork fully compressed and without fork spring, insert the gauge tube into the inner tube [B] and position the stopper across the top end of the inner tube.
- Set the gauge stopper [C] so that its lower side shows the oil level distance specified [D].
- Pull the handle slowly to pump out the excess oil until the oil no longer comes out.
- ★ If no oil is pumped out, there is insufficient oil in the inner tube. Pour in enough oil, then pump out the excess oil as shown above.



- Pull the piston rod [A] up above the inner tube top.
- Screw the rod nut [B] on to the piston rod with the pipe side [C] down.
- Check that the visible thread length is at least 11 mm [D].

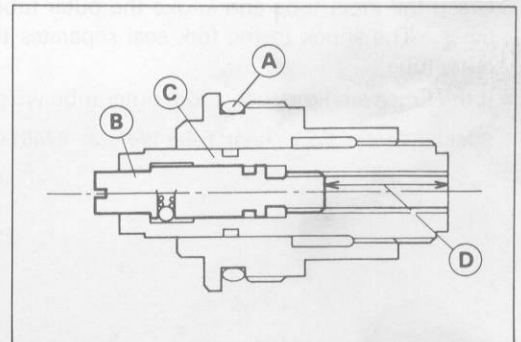


- Insert the rebound damping adjuster rod into the piston rod.
- Screw the fork piston rod puller onto the end of the rod.

**Special Tool – Fork Piston Rod Puller, M12 x 1.25: 57001-1289**

- Install the fork spring with the smaller end facing downward.
- Install:
  - Washer
  - Spacer
  - Washer

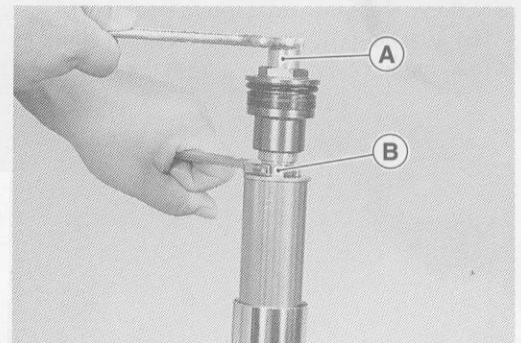
- Check the O-ring [A] on the top plug and replace it with a new one if damaged.
- Screw in the damper adjuster [B] of the top plug so that the distance between the adjuster bottom and the spring adjuster [C] end is 25 mm [D].



- Holding the top plug [A] with a wrench, tighten the piston rod nut [B] against the top plug.

**Torque – Piston Rod Nut: 28 N-m (2.9 kg-m, 21 ft-lb)**

- Raise the inner tube and screw the top plug into it.
- Install the front fork (see Front Fork Installation).

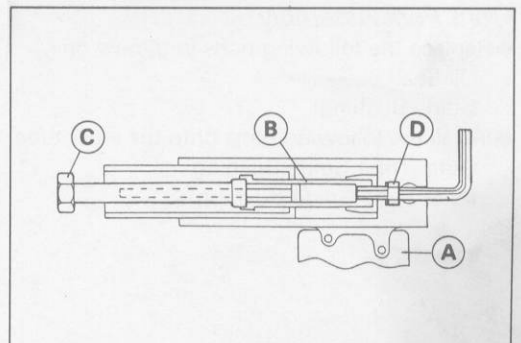


### Front Fork Disassembly

- Remove the front fork (see Front Fork Removal).
- Drain the fork oil (see Fork Oil Change).
- Hold the front fork in a vise [A].
- Stop the cylinder [B] from turning by using the fork cylinder holder [C].

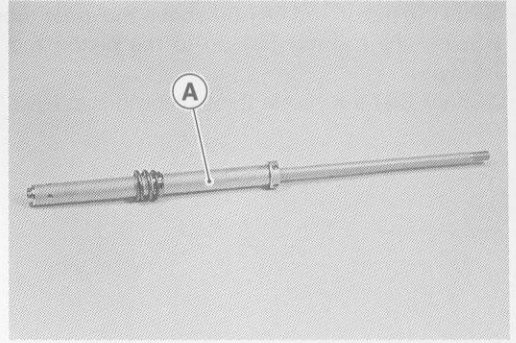
**Special Tool – Fork Cylinder Holder: 57001-1406**

- Unscrew the Allen bolt [D], then take the bolt and gasket out of the bottom of the inner tube.

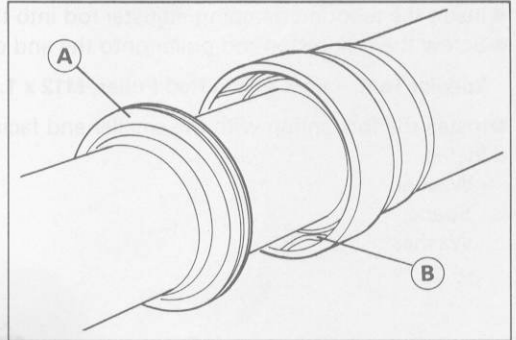


## 12-10 SUSPENSION

- Take the cylinder unit [A].
- Do not disassemble the cylinder unit.



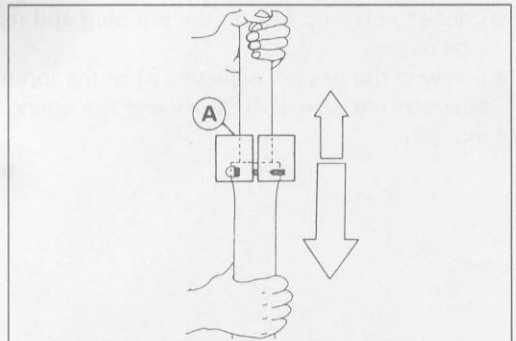
- Separate the inner tube from the outer tube as follows.
- Slide up the dust seal [A].
- Remove the retaining ring [B] from the outer tube.



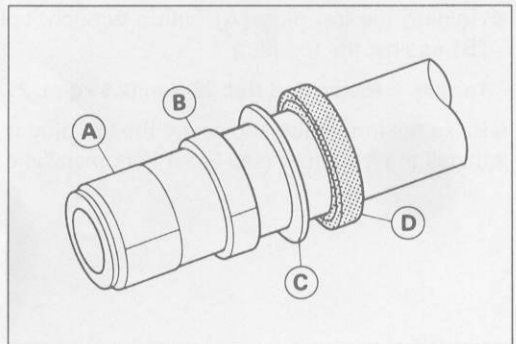
- Grasp the inner tube and stroke the outer tube up and down several times. The shock to the fork seal separates the inner tube from the outer tube.

★ If the tubes are tight, use a fork outer tube weight [A].

**Special Tool – Fork Outer Tube Weight: 57001-1218**



- Remove the inner tube guide bushing [A], outer tube guide bushing [B], washer [C], oil seal [D] from the inner tube.
- Remove the cylinder base from the bottom of the outer tube.



### Front Fork Assembly

- Replace the following parts with new one.
  - Oil Seal
  - Guide Bushings
- Install the following parts onto the inner tube.
  - Outer Tube Guide Bushing
  - Inner Tube Guide Bushing

- Insert the cylinder unit [A] into the inner tube [B].
- Install the cylinder base [C] on the cylinder unit.
- Insert the inner tube, cylinder unit, cylinder base as a set into the outer tube [D].
- Replace the bottom Allen bolt gasket with a new one.
- Stop the cylinder from turning by using the fork cylinder holder.

**Special Tool – Fork Cylinder Holder: 57001-1406**

- Apply a non-permanent locking agent to the Allen bolt and tighten it.

**Torque – Front Fork Bottom Allen Bolt: 39 N-m (4.0 kg-m, 29 ft-lb)**

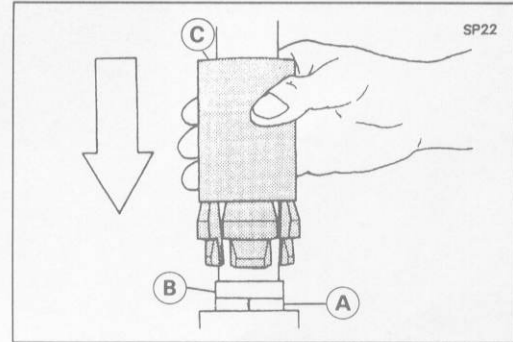
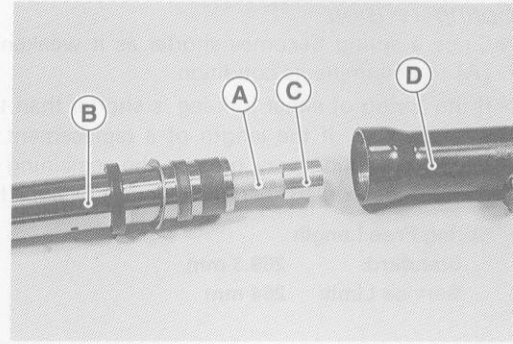
- Fit the new outer guide bushing [A] into the outer tube.

#### NOTE

- When assembling the new outer tube guide bushing, hold the used guide bushing [B] against the new bushing and tap the used guide bushing with the fork oil seal driver [C] until it stops.

**Special Tool – Front Fork Oil Seal Driver: 57001-1219**

- After installing the washer, install the oil seal by using the fork oil seal driver.
- Install the retaining ring and dust seal by hand.
- Pour in the specified type of oil (see Fork Oil Change).



#### Inner Tube Inspection

- Visually inspect the inner tube, and repair any damage.
- Nick or rust damage can sometimes be repaired by using a wet-stone to remove sharp edges or raised areas which cause seal damage.
- ★ If the damage is not repairable, replace the inner tube. Since damage to the inner tube damages the oil seal, replace the oil seal whenever the inner tube is repaired or replaced.

#### CAUTION

**If the inner tube is badly bent or creased, replace it. Excessive bending, followed by subsequent straightening, can weaken the inner tube.**

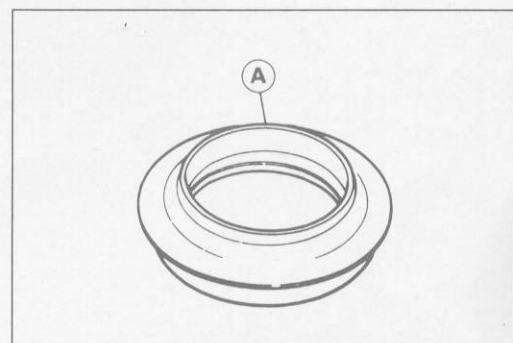
- Temporarily assemble the inner and outer tubes, and pump them back and forth manually to check for smooth operation.
- ★ If you feel binding or catching, the inner and outer tubes must be replaced.

#### ⚠WARNING

**A straightened inner or outer fork tube may fall in use, possibly causing an accident. Replace a badly bent or damaged inner or outer tube and inspect the other tube carefully before reusing it.**

#### Dust Seal Inspection

- Inspect the dust seals [A] for any signs of deterioration or damage.
- ★ Replace it if necessary.



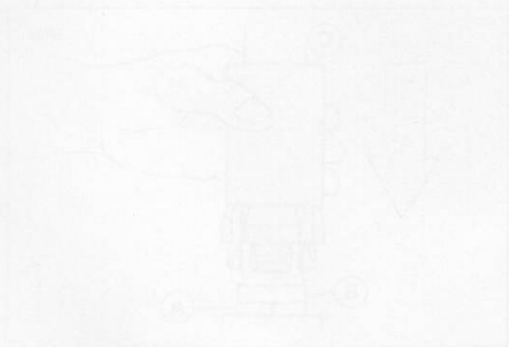
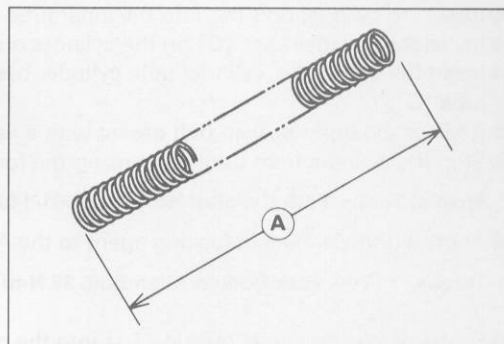
## 12-12 SUSPENSION

### Spring Tension

- Since a spring becomes shorter as it weakens, check its free length [A] to determine its condition.
- ★ If the spring of either fork leg is shorter than the service limit, it must be replaced. If the length of a replacement spring and that of the remaining spring vary greatly, the remaining spring should also be replaced in order to keep the fork legs balanced for motorcycle stability.

### Spring Free Length

<b>Standard:</b>	<b>269.3 mm</b>
<b>Service Limit:</b>	<b>264 mm</b>



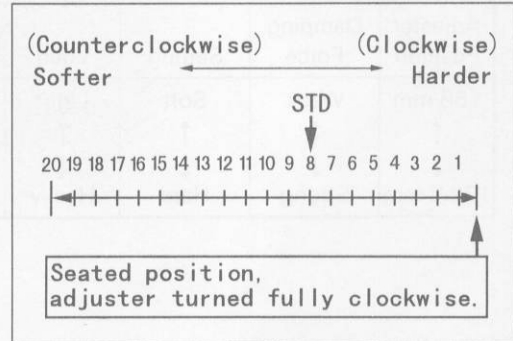
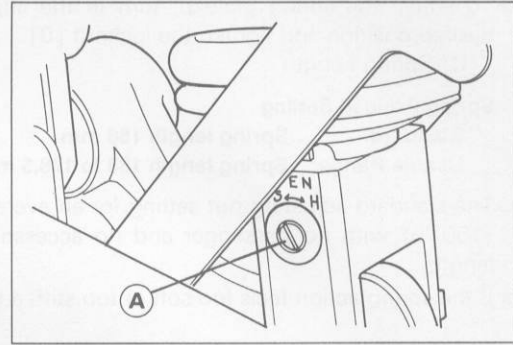
## Rear Shock Absorber

### Rebound Damping Force Adjustment

- To adjust the rebound damping force, turn the rebound damping adjuster [A] until you feel a click.
- The standard adjuster setting for an average-build rider of 68 kg (150 lb) with no passenger and no accessories is the **8th click** from the 1st click of the fully clockwise position.
- ★ If the damping feels too soft or too stiff, adjust it.

#### Rebound Damping Force Adjustment

Adjuster Position	Damping Force	Setting	Load	Road	Speed
20	Weak	Soft	Light	Good	Low
↑	↑	↑	↑	↑	↑
↓	↓	↓	↓	↓	↓
1	Strong	Hard	Heavy	Bad	High

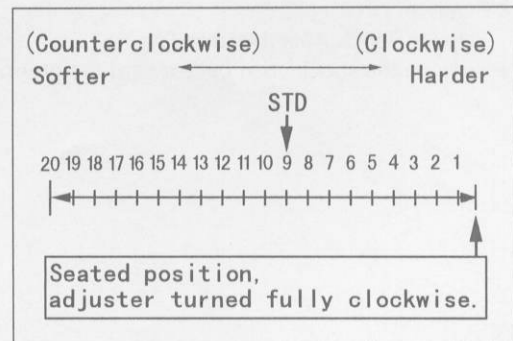
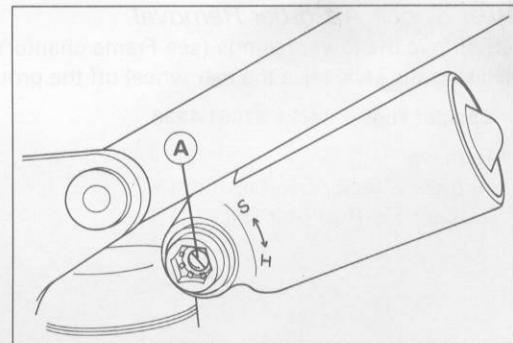


### Compression Damping Force Adjustment

- To adjust the compression damping force, turn the compression damping adjuster [A] on the gas reservoir until you feel a click.
- The standard adjuster setting for the average-build rider of 68 kg (150 lb) with no passenger and no accessories is the **9th click** from the 1st click of the fully clockwise position.
- The damping force can be left soft for average riding. But it should be adjusted harder for high speed riding or riding with a passenger. If the damping feels too soft or too stiff, adjust it in accordance with the following table.

#### Compression Damping Force Adjustment

Adjuster Position	Damping Force	Setting	Load	Road	Speed
20	Weak	Soft	Light	Good	Low
↑	↑	↑	↑	↑	↑
↓	↓	↓	↓	↓	↓
1	Strong	Hard	Heavy	Bad	High



### Spring Preload Adjustment

- Remove the rear shock absorber from the frame (see Rear Shock Absorber Removal).
- Loosen the locknut and turn out the adjusting nut to free the spring.

**Special Tool – Steering Stem Nut Wrenches: 57001-1100 (2)**

- Measure the spring free length.

#### Spring Free Length

**Standard: 201 mm**

## 12-14 SUSPENSION

- To adjust the spring preload, turn in the adjusting nut [A] to the desired position and tighten the locknut [B].

[C] Spring Length

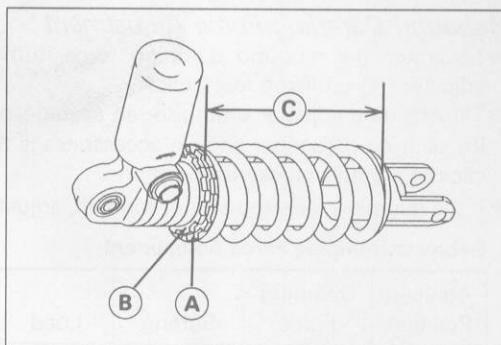
### Spring Preload Setting

**Standard:** Spring length 186 mm

**Usable Range:** Spring length 188 to 178.5 mm

- The standard adjusting nut setting for an average-build rider of 68 kg (150 lb) with no passenger and no accessories is 186 mm spring length.

★ If the spring action feels too soft or too stiff, adjust it.



### Spring Adjustment

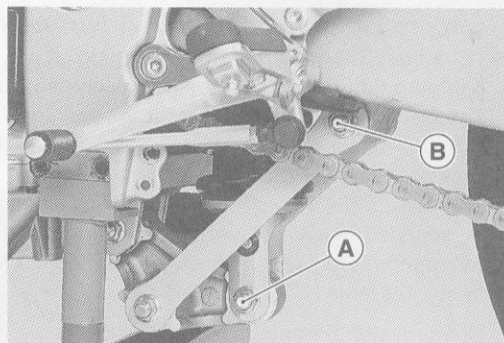
Adjuster Position	Damping Force	Setting	Load	Road	Speed
188 mm	Weak	Soft	Light	Good	Low
↑	↑	↑	↑	↑	↑
↓	↓	↓	↓	↓	↓
178.5 mm	Strong	Hard	Heavy	Bad	High

### Rear Shock Absorber Removal

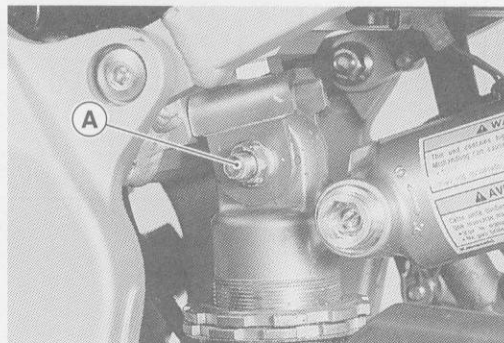
- Remove the lower fairings (see Frame chapter).
- Using the jack, raise the rear wheel off the ground.

**Special Tool – Jack: 57001-1238**

- Remove:
  - Lower Shock Absorber Bolt [A]
  - Upper Tie-Rod Bolt [B]



- Remove:
  - Upper Shock Absorber Bolt [A]
- Remove the shock absorber forward the ground.



### Rear Shock Absorber Installation

- Pack the rocker arm needle bearings with grease.
- Tighten the following nuts:

**Torque – Rear Shock Absorber Nuts: 34 N-m (3.5 kg-m, 25 ft-lb)**

**Tie-Rod Nuts: 59 N-m (6.0 kg-m, 43 ft-lb)**

### Rear Shock Absorber Scrapping

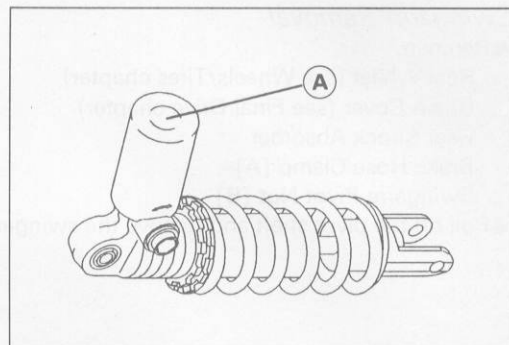
**⚠ WARNING**

Since the reservoir tank of the rear shock absorber contains nitrogen gas, do not incinerate the reservoir tank without first releasing the gas or it may explode.

- Remove the shock absorber (see Rear Shock Absorber Removal).
- Remove the valve cap [A] and release the nitrogen gas completely from the gas reservoir.
- Remove the valve.

**⚠ WARNING**

Since the high pressure gas is dangerous, do not point the valve toward your face or body.



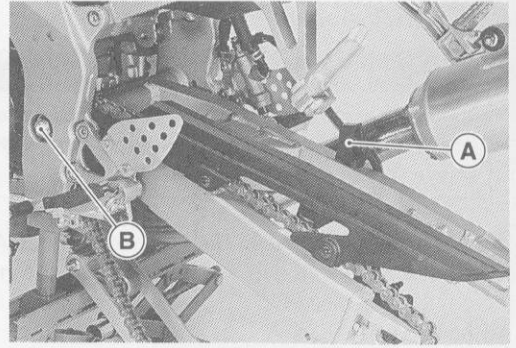


## 12-16 SUSPENSION

### Swingarm

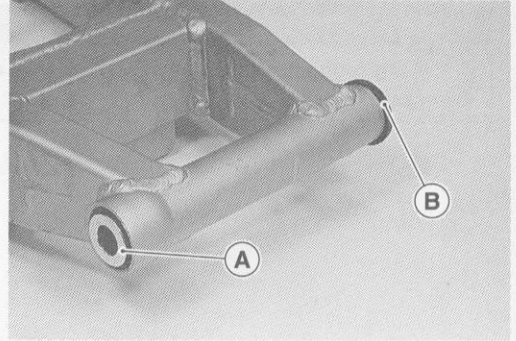
#### Swingarm Removal

- Remove:
  - Rear Wheel (see Wheels/Tires chapter)
  - Chain Cover (see Final Drive chapter)
  - Rear Shock Absorber
  - Brake Hose Clamp [A]
  - Swingarm Pivot Nut [B]
- Pull off the pivot shaft and remove the swingarm.



#### Swingarm Installation

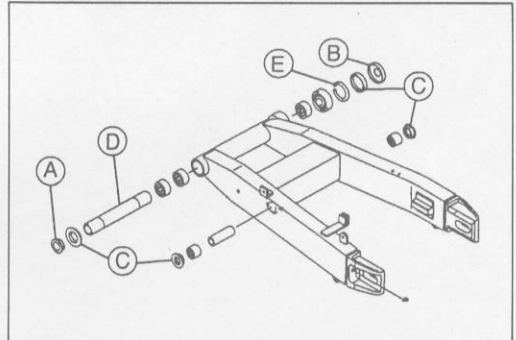
- Apply plenty of grease to the ball bearing, needle bearings and grease seals.
  - Install the collar [A] and cap [B].
  - Insert the pivot shaft into the frame from the right side.
  - Tighten the pivot nut.
- Torque – Swingarm Pivot Nut: 110 N-m (11.0 kg-m, 80 ft-lb)**
- Install the removed parts (see appropriate chapters).



#### Swingarm Bearing Removal

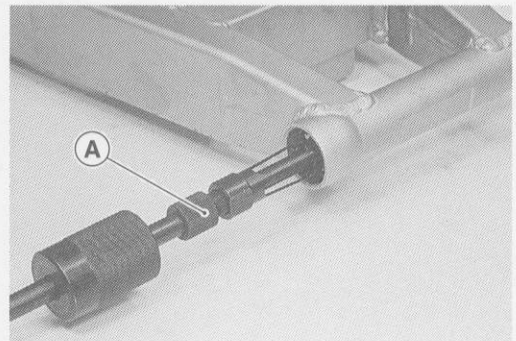
- Remove:
  - Swingarm
  - Collar [A]
  - Cap [B]
  - Grease Seals [C]
  - Sleeve [D]
  - Circlip (right side) [E]

**Special Tool – Inside Circlip Pliers: 57001-143**



- Remove the ball bearing and needle bearings using the oil seal & bearing remover [A].

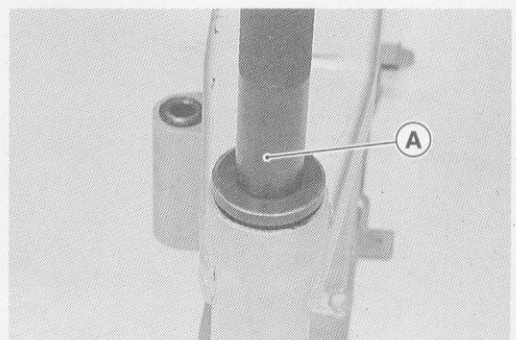
**Special Tool – Oil Seal & Bearing Remover: 57001-1058**



#### Swingarm Bearing Installation

- Apply plenty of grease to the ball bearing and needle bearings.
- Install the bearings so that the manufacturer's marks face out.

**Special Tool – Bearing Driver Set: 57001-1129 [A]**



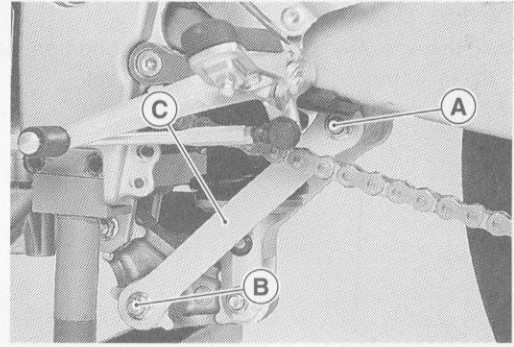
## Tie-Rod, Rocker Arm

### Tie-Rod Removal

- Remove:
  - Upper and Lower Fairings (see Frame chapter)
  - Radiator (see Cooling System chapter)
  - Muffler (see Engine Top End chapter)
- Using the jack, raise the rear wheel off the ground.

**Special Tool – Jack: 57001-1238**

- Remove the upper tie-rod bolt [A] and lower tie-rod bolt [B], and take out the tie-rods [C].



### Tie-Rod Installation

- Apply grease to the inside of the needle bearings and oil seals.
- Install the tie-rods so that the chamfered side faces the bolts and nuts.
- Tighten the upper and lower tie-rod bolts.

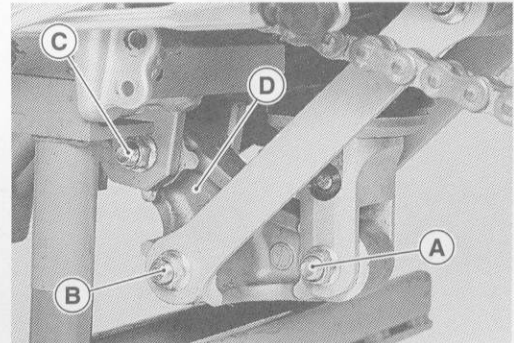
**Torque – Tie-Rod Nuts: 59 N-m (6.0 kg-m, 43 ft-lb)**

### Rocker Arm Removal

- Remove:
  - Upper and Lower Fairings (see Frame chapter)
  - Radiator (see Cooling System chapter)
  - Muffler (see Engine Top End chapter)
- Using the jack, raise the rear wheel off the ground.

**Special Tool – Jack: 57001-1238**

- Remove:
  - Lower Rear Shock Absorber Bolt [A]
  - Lower Tie-Rod Bolt [B]
  - Rocker Arm Bolt [C]
  - Rocker Arm [D]



### Rocker Arm Installation

- Apply grease to the inside of the needle bearings and oil seal lips.
- Tighten the rocker arm bolt, tie-rod bolt and shock absorber bolt.

**Torque – Rocker Arm Nut: 34 N-m (3.5 kg-m, 25 ft-lb)**

**Tie-Rod Nut: 59 N-m (6.0 kg-m, 43 ft-lb)**

**Rear Shock Absorber Nut: 34 N-m (3.5 kg-m, 25 ft-lb)**

## 12-18 SUSPENSION

---

### *Needle Bearing Inspection*

- ★ If there is any doubt as to the condition of either needle bearing, replace the bearing and sleeve as a set.

### *Tie-Rod, Rocker Arm Sleeve Inspection*

- ★ If there is visible damage, replace the sleeve and needle bearing as a set.

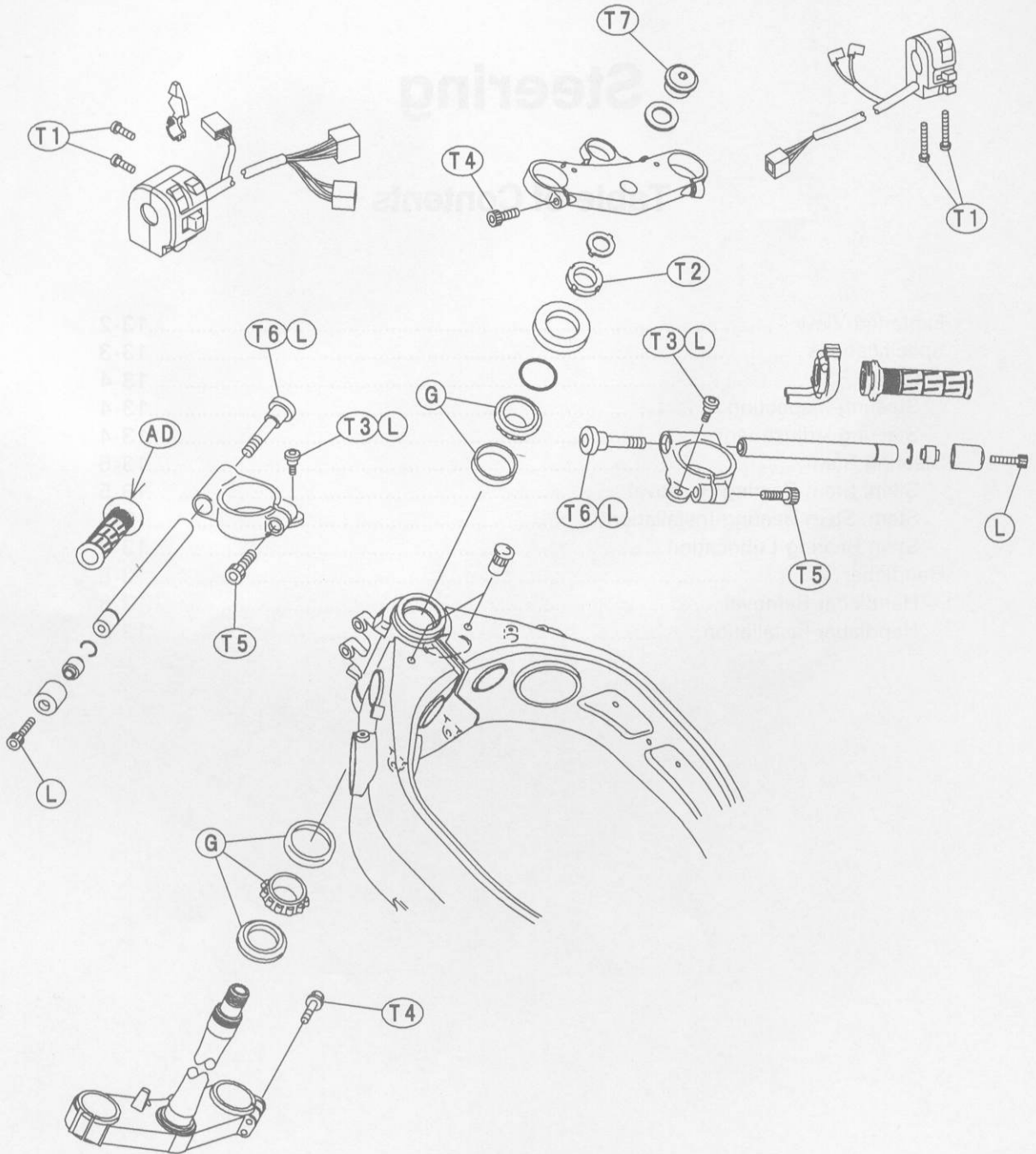
# Steering

## Table of Contents

Exploded View .....	13-2
Specifications .....	13-3
Steering .....	13-4
Steering Inspection .....	13-4
Steering Adjustment .....	13-4
Steering Stem .....	13-5
Stem, Stem Bearing Removal .....	13-5
Stem, Stem Bearing Installation .....	13-5
Stem Bearing Lubrication .....	13-7
Handlebar .....	13-8
Handlebar Removal .....	13-8
Handlebar Installation .....	13-8

# 13-2 STEERING

## Exploded View



AD: Apply adhesive.  
G: Apply grease.  
L: Apply a non-permanent locking agent.

T1: 3.4 N-m (0.35 kg-m, 30 in-lb)  
T2: 4.9 N-m (0.50 kg-m, 43 in-lb)  
T3: 9.8 N-m (1.0 kg-m, 87 in-lb)  
T4: 20 N-m (2.0 kg-m, 14.5 ft-lb)  
T5: 23 N-m (2.3 kg-m, 16.5 ft-lb)  
T6: 34 N-m (3.5 kg-m, 25 ft-lb)  
T7: 49 N-m (5.0 kg-m, 36 ft-lb)

---

## Specifications

---

**Special Tools – Steering Stem Nut Wrench: 57001-1100**  
**Head Pipe Outer Race Press Shaft: 57001-1075**  
**Head Pipe Outer Race Driver: 57001-1106**  
**Head Pipe Outer Race Driver: 57001-1077**  
**Steering Stem Bearing Driver: 57001-1344**  
**Steering Stem Bearing Driver Adapter: 57001-1345**  
**Jack: 57001-1238**

## 13-4 STEERING

### Steering

#### Steering Inspection

- Check the steering.
- Lift the front wheel off the ground using the jack.

#### Special Tool – Jack: 57001-1238

- With the front wheel pointing straight ahead, alternately tap each end of the handlebar. The front wheel should swing fully left and right from the force of gravity until the fork hits the stop.
- ★ If the wheel binds or catches before the stop, the steering is too tight.
- Feel for steering looseness by pushing and pulling the forks.
- ★ If you feel looseness, the steering is too loose.

#### NOTE

- *The cables and wiring will have some effect on the motion of the fork which must be taken into account.  
Be sure the wires and cables are properly routed.*
- *The bearings must be in good condition and properly lubricated in order for any test to be valid.*

#### Steering Adjustment

- Remove:
  - Upper fairing (see Frame chapter)
  - Fuel Tank (see Fuel System chapter)
  - Air Cleaner Housing (see Fuel System chapter)
- Loosen:
  - Lower Fork Clamp Bolts (both sides)
  - Stem Head Nut [A]
- Adjust the steering.

#### Special Tool – Steering Stem Nut Wrench: 57001-1100 [B]

- ★ If the steering is too tight, loosen the stem nut a fraction of a turn.
- ★ If the steering is too loose, tighten the nut a fraction of a turn.

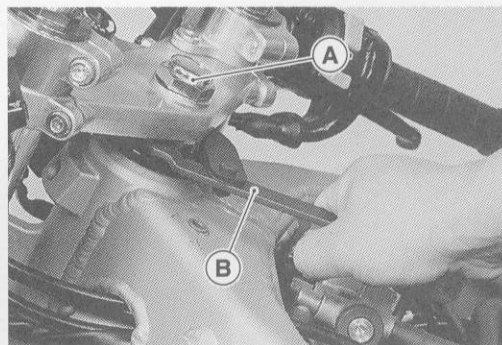
#### NOTE

- *Turn the stem nut 1/8 turn at a time maximum.*

- Tighten the steering stem head nut and lower fork clamp bolts.

#### Torque – Steering Stem Head Nut: 49 N-m (5.0 kg-m, 36 ft-lb) Front Fork Clamp Bolts (Lower): 20 N-m (2.0 kg-m, 14.5 ft-lb)

- Check the steering again.
- ★ If the steering is still too tight or too loose, repeat the adjustment.



## Steering Stem

### Stem, Stem Bearing Removal

#### ● Remove:

- Fairings (see Frame chapter)
- Fuel Tank (see Fuel System chapter)
- Air Cleaner Housing (see Fuel System chapter)
- Rear View Mirror Bracket
- Brake Hose Joint Bolts [A]
- Front Wheel (see Wheels/Tires chapter)
- Front Fork (see Suspension chapter)
- Steering Stem Head Nut and Washer
- Steering Stem Head

- Pushing up the stem base, and remove the steering stem locknuts [A], stem cap [B] and O-ring, then remove the steering stem [C] and stem base.

**Special Tool – Steering Stem Nut Wrench: 57001-1100**

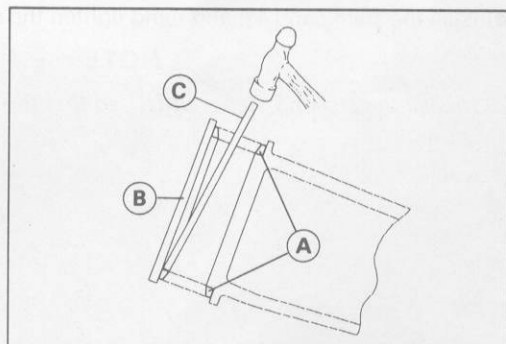
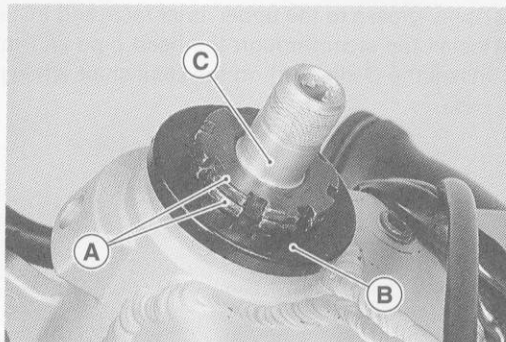
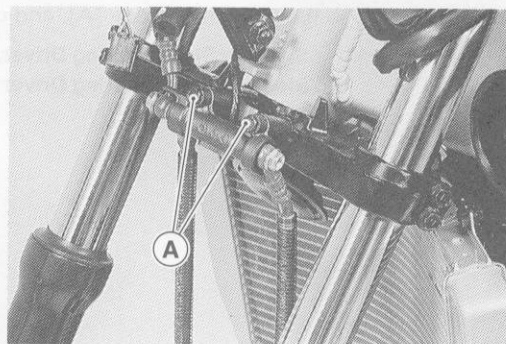
- Remove the upper stem bearing inner race.

- To remove the bearing outer races [A] pressed into the head pipe [B], insert a bar [C] into the head pipe, and hammer evenly around the circumference of the opposite race to drive it out.

#### NOTE

- If either steering stem bearing is damaged, it is recommended that both the upper and lower bearings (including outer races) should be replaced with new ones.

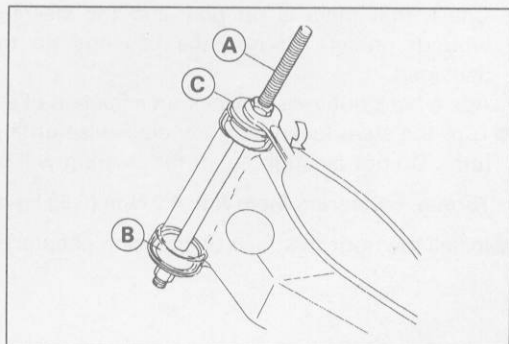
- Remove the lower stem bearing (with its grease seal) which is pressed onto the steering stem with a suitable commercially available bearing puller.



### Stem, Stem Bearing Installation

- Apply grease to the outer races, and drive them into the head pipe at the same time.

**Special Tools – Head Pipe Outer Race Press Shaft: 57001-1075 [A]  
Head Pipe Outer Race Driver: 57001-1106 [B]  
Head Pipe Outer Race Drivers: 57001-1077 [C]**

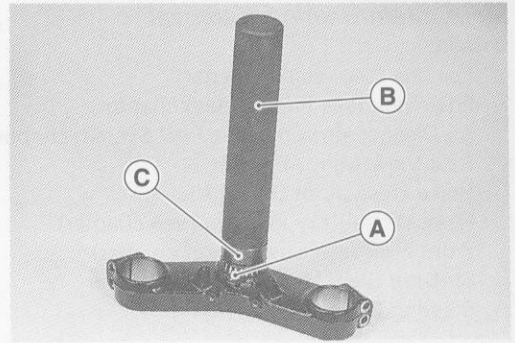




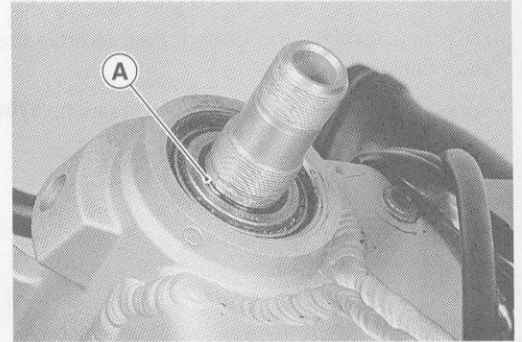
## 13-6 STEERING

- Apply grease to the lower inner race [A], and drive it onto the stem.

**Special Tools** – **Steering Stem Bearing Driver: 57001-1344 [B]**  
**Steering Stem Bearing Driver Adapter: 57001-1345 [C]**



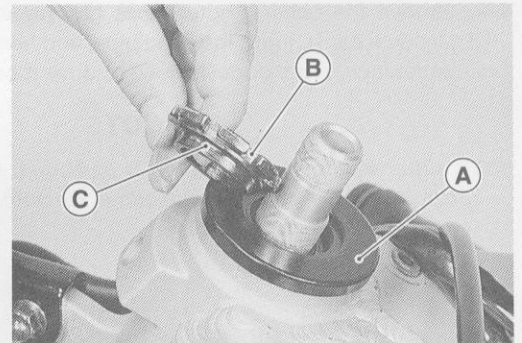
- Apply grease to the upper inner race, and install it in the head pipe.
- Install the stem through the head pipe and the upper inner race, and install the O-ring [A] on the stem shaft while pushing up on the stem base.



- Install the stem cap [A], and hand tighten the steering stem locknuts.

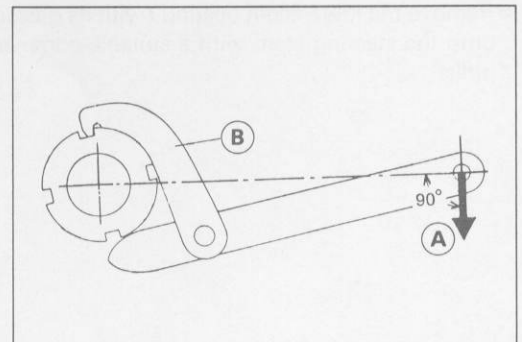
### NOTE

- Install the steering stem nut [B] so that the stepped side [C] faces down.



- Install the stem head.
- Install the washer, and tighten the stem head nut lightly.
- Settle the inner races in place as follows:
- Tighten the steering stem locknut to 39 N·m (4.0 kg·m, 29 ft·lb) of torque. (To tighten the steering stem locknut to the specified torque, hook the wrench on the stem locknut, and pull the wrench at the hole by 22.2 kg [A] force in the direction shown.)

**Special Tool** – **Steering Stem Nut Wrench: 57001-1100 [B]**



- Check that there is no play and the steering stem turns smoothly without rattles. If not, the bearings on the inner races may be damaged.
- Again back out the stem locknut a fraction of a turn until it turns lightly.
- Turn the stem locknut lightly clockwise until it just becomes hard to turn. Do not overtighten, or the steering will be too tight.

**Torque** – **Steering Stem Nut: 4.9 N·m (0.50 kg·m, 43 in·lb)**

- Install the front fork (see Suspension chapter).

**NOTE**

○ Tighten the fork upper clamp bolts first, next the stem head nut, last the fork lower clamp bolts.

**Torque – Steering Stem Head Nut : 49 N-m (5.0 kg-m, 36 ft-lb)**  
**Front Fork Clamp Bolts (Upper) : 20 N-m (2.0 kg-m, 14.5 ft-lb)**  
**(Lower) : 20 N-m (2.0 kg-m, 14.5 ft-lb)**

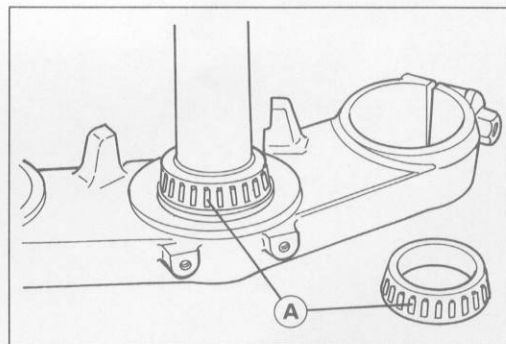
● Install the removed parts (see appropriate chapters).

**▲WARNING**

**Do not impede the handlebar turning by routing the cables, harnesses and hoses improperly (see General Information chapter).**

**Stem Bearing Lubrication**

- Remove the steering stem.
- Using a high flash-point solvent, wash the upper and lower tapered roller bearings in the cages, and wipe the upper and lower outer races, which are press-fitted into the frame head pipe, clean off grease and dirt.
- Visually check the outer races and the rollers.
- ★ Replace the bearing assemblies if they show wear or damage.
- Pack the upper and lower tapered roller bearings [A] in the cages with grease, and apply a light coat of grease to the upper and lower outer races.
- Install the steering stem, and adjust the steering.

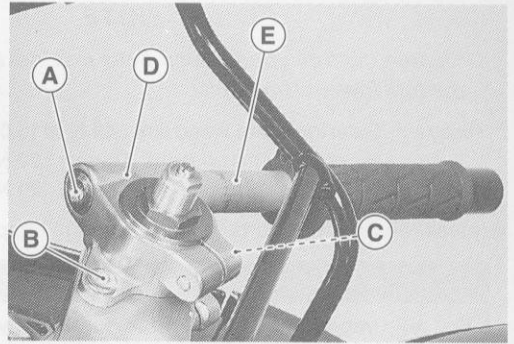


## 13-8 STEERING

### Handlebar

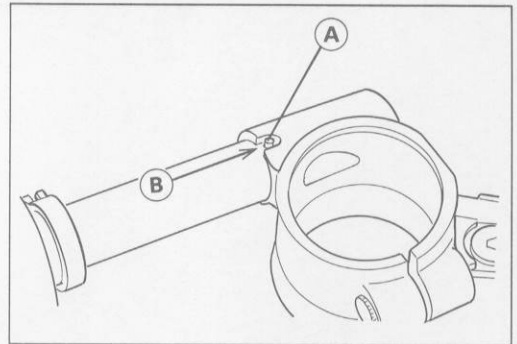
#### Handlebar Removal

- Remove:
  - Clutch Lever Assembly
  - Left Handlebar Switch Housing
  - Front Brake Master Cylinder
  - Right Handlebar Switch Housing
  - Throttle Case and Grip
  - Handlebar Bolts [A]
  - Handlebar Holder Position Bolts [B]
  - Handlebar Holder Bolts [C]
- Remove the handlebar holders [D] from the front fork, and then pull out the handlebars [E].



#### Handlebar Installation

- Fit the pin [A] of the handlebar in the handlebar holder recess [B].
- Apply a non-permanent locking agent to the threads of handlebar holder position bolts and handlebar bolts, and tighten the following bolts.
  - Torque – Handlebar Holder Bolts: 23 N-m (2.3 kg-m, 16.5 ft-lb)**
  - Handlebar Holder Position Bolts: 9.8 N-m (1.0 kg-m, 87 in-lb)**
  - Handlebar Bolts: 34 N-m (3.5 kg-m, 25 ft-lb)**
- Install the removed parts (see appropriate chapters).



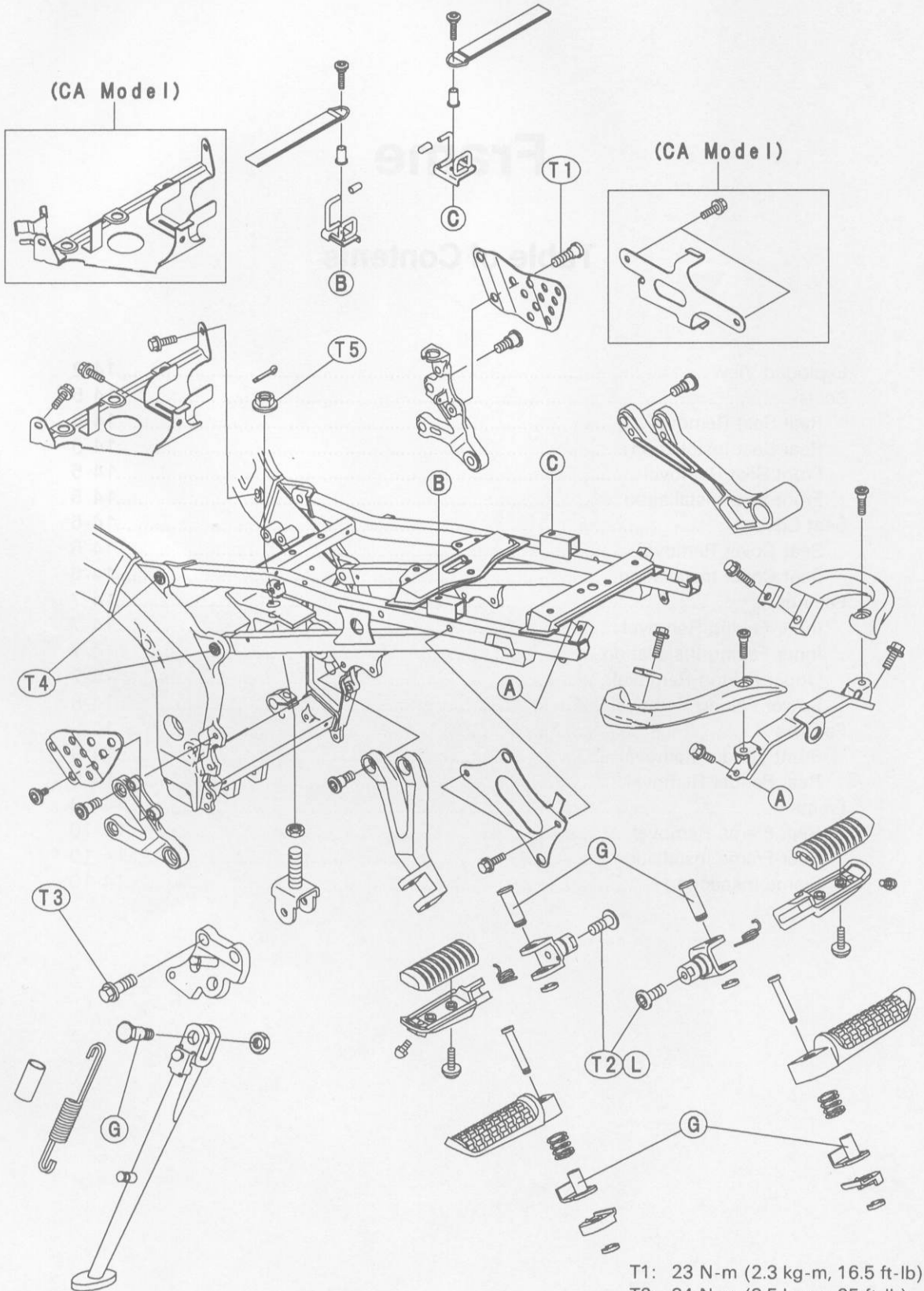
# Frame

## Table of Contents

Exploded View .....	14-2
Seats .....	14-5
Rear Seat Removal .....	14-5
Rear Seat Installation .....	14-5
Front Seat Removal .....	14-5
Front Seat Installation .....	14-5
Seat Covers .....	14-6
Seat Cover Removal .....	14-6
Seat Cover Installation .....	14-6
Fairings .....	14-7
Inner Fairing Removal .....	14-7
Inner Fairing Installation .....	14-7
Upper Fairing Removal .....	14-7
Lower Fairing Removal .....	14-8
Fenders .....	14-9
Front Fender Removal .....	14-9
Rear Fender Removal .....	14-9
Frame .....	14-10
Rear Frame Removal .....	14-10
Rear Frame Installation .....	14-10
Frame Inspection .....	14-10

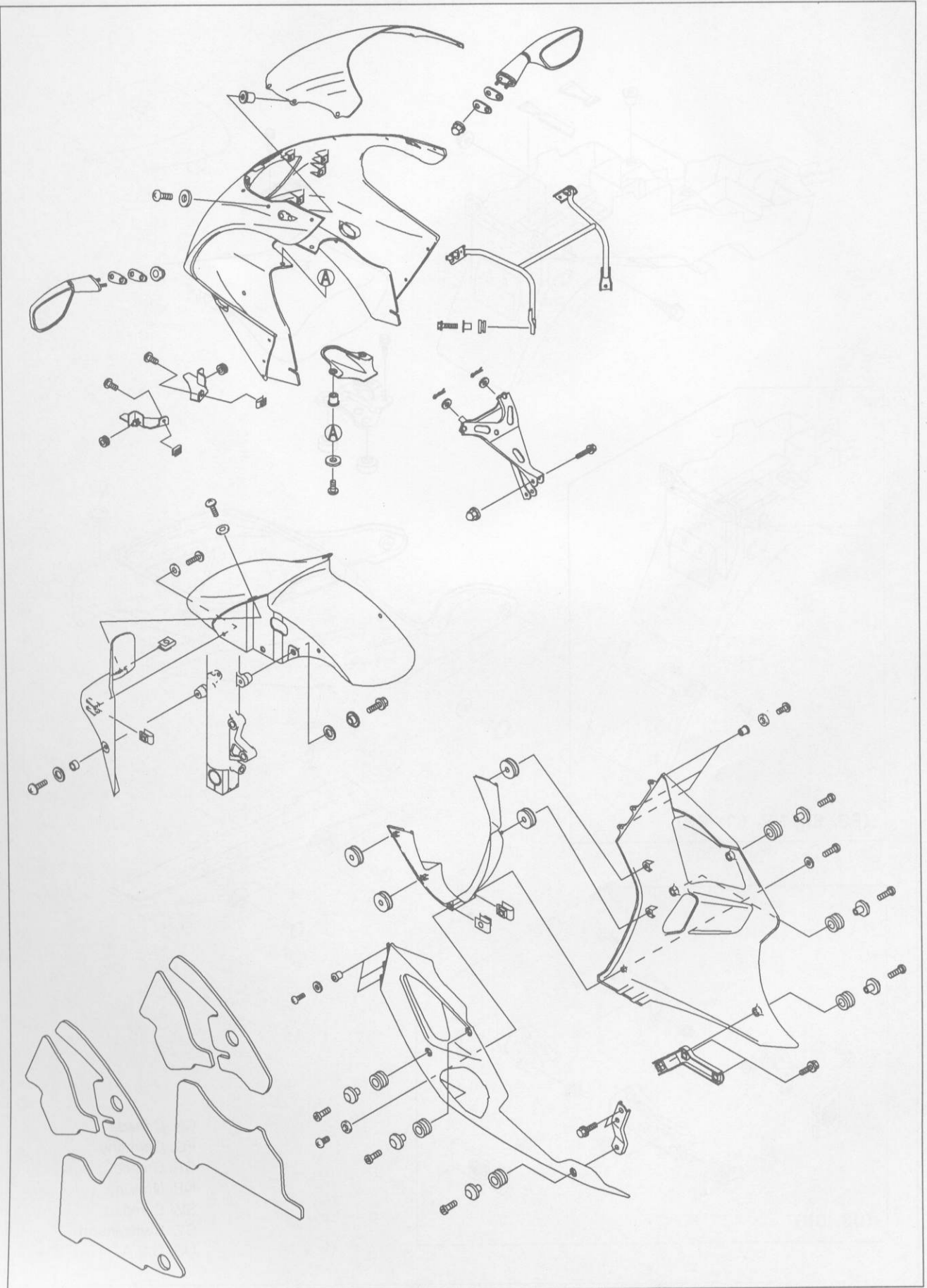
# 14-2 FRAME

## Exploded View

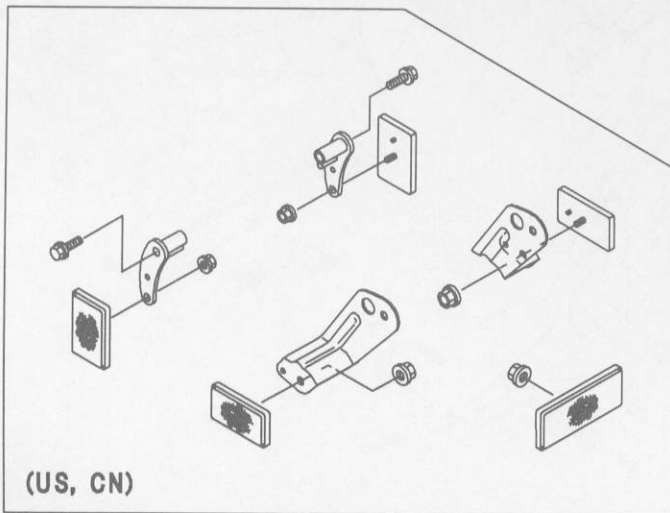
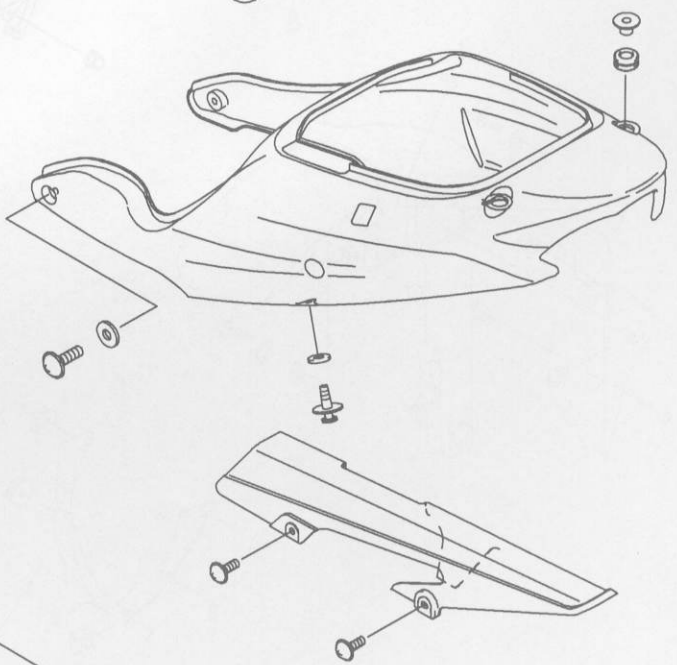
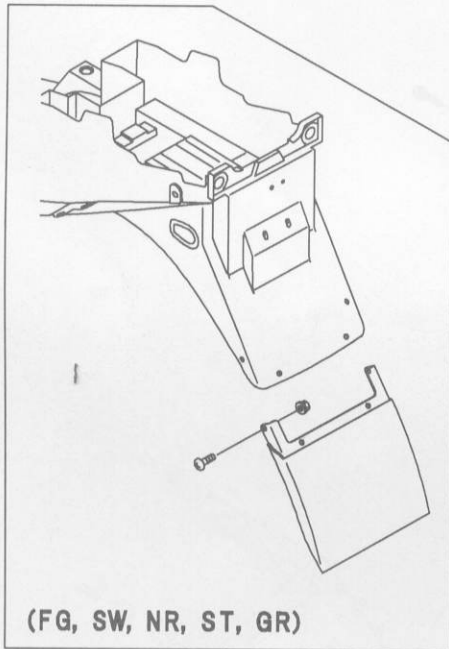
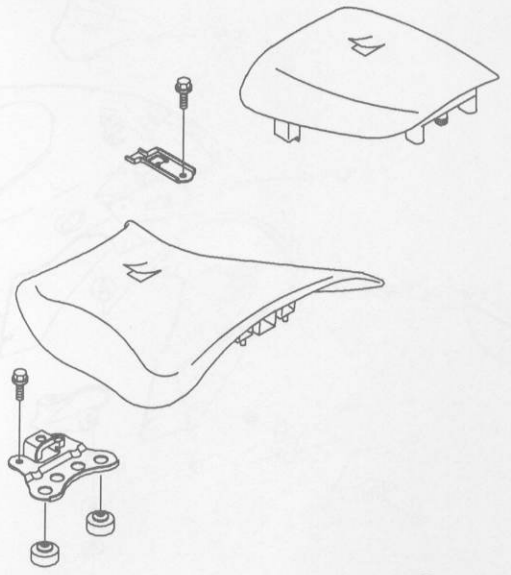
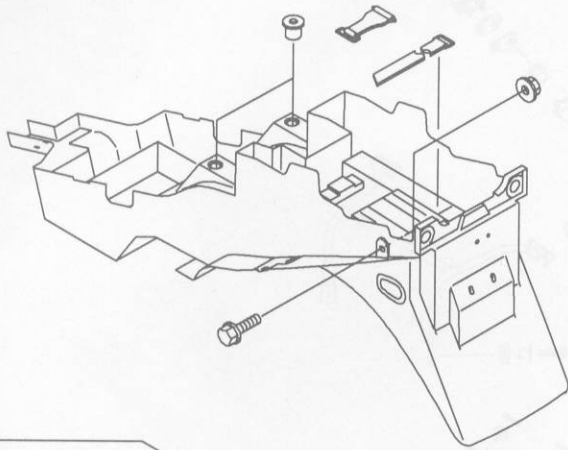


G: Apply grease.  
 L: Apply a non-permanent locking agent.  
 CA: California

T1: 23 N-m (2.3 kg-m, 16.5 ft-lb)  
 T2: 34 N-m (3.5 kg-m, 25 ft-lb)  
 T3: 49 N-m (5.0 kg-m, 36 ft-lb)  
 T4: 44 N-m (4.5 kg-m, 33 ft-lb)  
 T5: 59 N-m (6.0 kg-m, 43 ft-lb)



# 14-4 FRAME

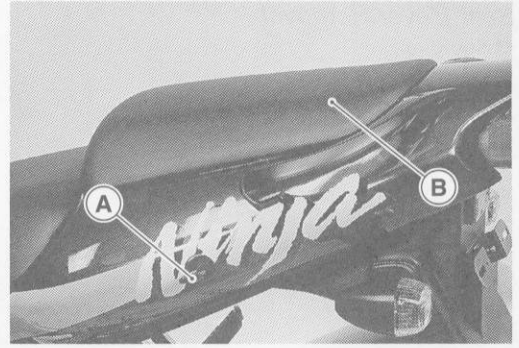


- CN: Canada
- FG: Germany
- GR: Greece
- NR: Norway
- SW: Sweden
- ST: Switzerland
- US: U.S.A.

## Seats

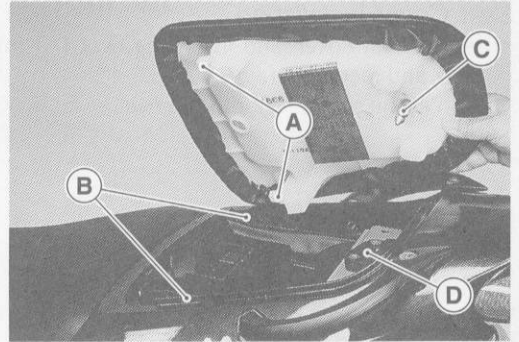
### Rear Seat Removal

- Insert the ignition switch key into the seat lock [A], turning the key counterclockwise, pulling up on the rear of the seat [B], and pulling the seat backward.



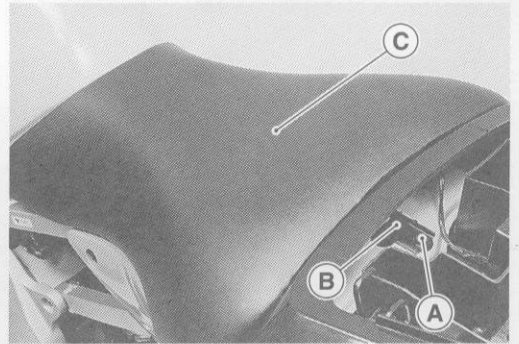
### Rear Seat Installation

- Slip the rear seat hooks [A] into the hollow-cubic bracket [B] on the frame.
- Insert the seat pin [C] into the latch hole [D].
- Push down the rear part of the seat until the lock clicks.



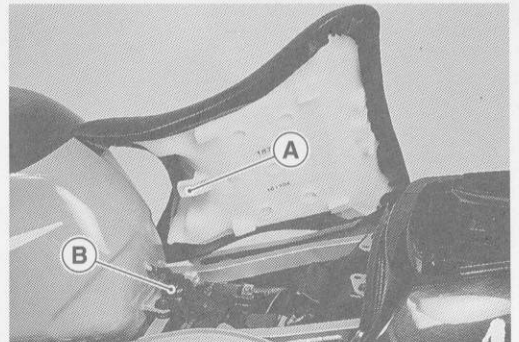
### Front Seat Removal

- Remove:
  - Rear Seat (see Rear Seat Removal)
  - Mounting Bolt [A]
  - Seat Bracket (rear) [B]
- Remove the front seat [C] by pulling it up on the rear and to the rear.



### Front Seat Installation

- Slip the front seat hook [A] under the brace [B] on the seat bracket (front).



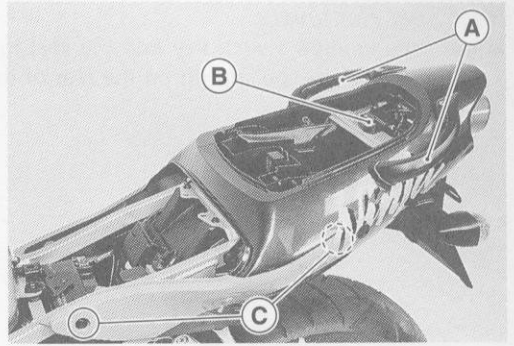


## 14-6 FRAME

### Seat Covers

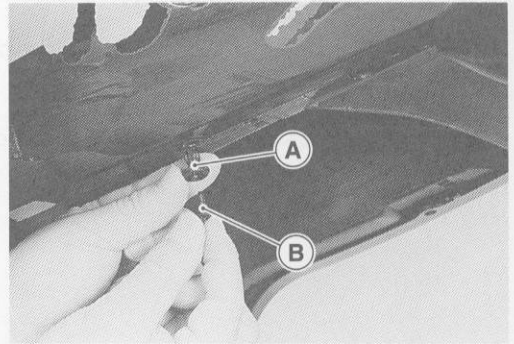
#### *Seat Cover Removal*

- Remove:
  - Seats
  - Bolts and Grab Rails [A]
  - Screws and Seat Lock [B]
  - Screws [C] (Left and Right)
- Pull the seat cover backward.



#### *Seat Cover Installation*

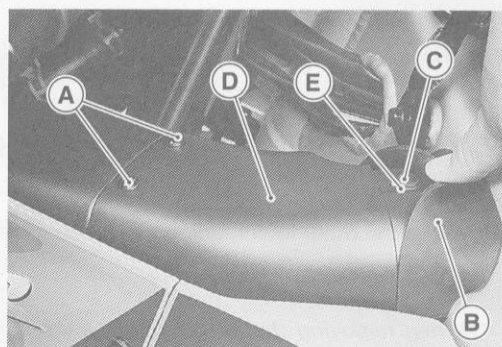
- Set the seat cover, and insert the rivet [A] into the holes in the seat cover and rear fender.
- Push in the screw [B] into the rivet.



## Fairings

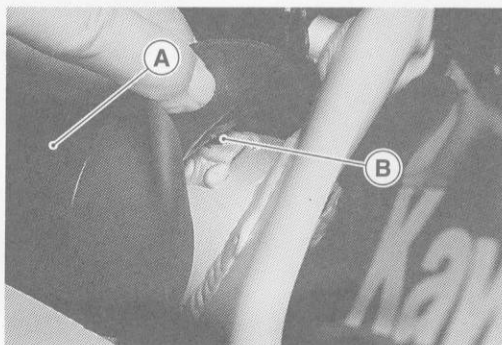
### Inner Fairing Removal

- Remove the screws [A].
- Turn up the rubber cover [B], and remove the rear screw [C].
- Remove the inner fairing [D] and rivet [E].



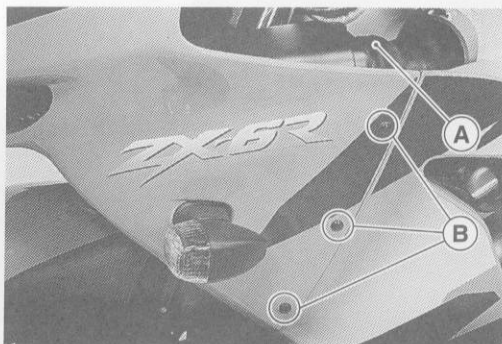
### Inner Fairing Installation

- Install the inner fairing [A] and insert the rivet [B] into the holes in the inner fairing and frame.
- Install the screws.
- Push in the rear screw into the rivet.

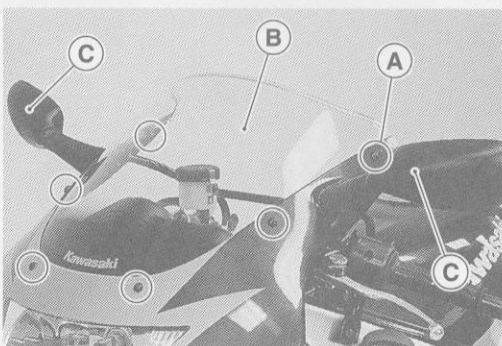


### Upper Fairing Removal

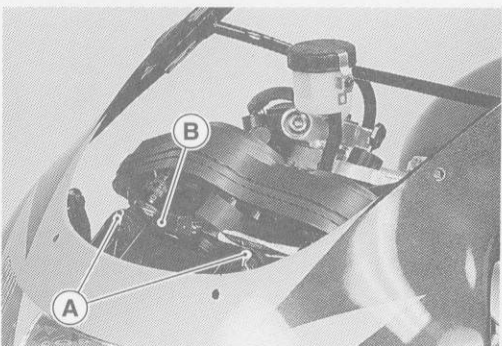
- Remove:
  - Inner Fairings
  - Spring Bands [A] (Left and Right)
  - Air Vent Filter Hose
  - Screws [B] (Left and Right)



- Remove:
  - Screws [A] and Wind Shield [B]
  - Rear View Mirrors [C]



- Remove:
  - Clips [A] and Washers
  - Headlight/Turn Signal Light Lead Connector [B]
  - Upper Fairing



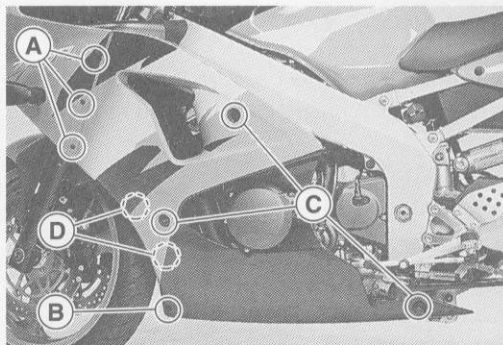
## 14-8 FRAME

### Lower Fairing Removal

- Remove:
  - Screws [A] [B]
  - Allen Bolts [C]
- Pull the lower front part of the lower fairing outward to clear the stoppers [D].
- Remove the lower fairing.
- Remove the other lower fairing in the same manner.

#### NOTE

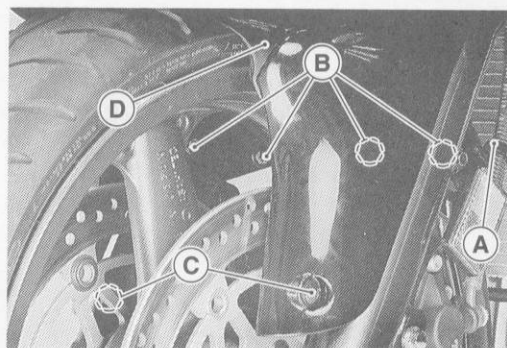
- When removing the left and right lower fairings at the same time, do not remove the screws [B] (both sides) and stoppers [D].



## Fenders

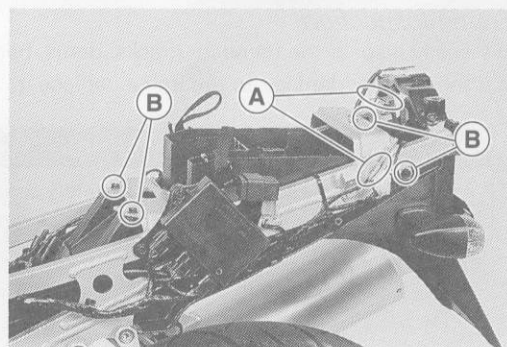
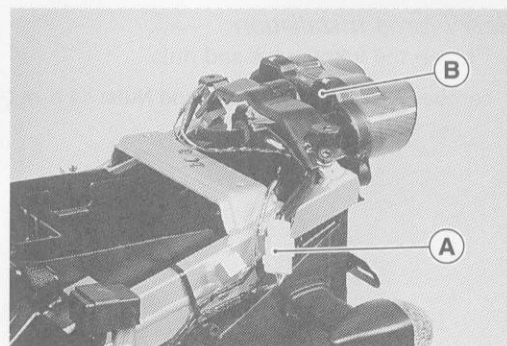
### Front Fender Removal

- Remove:
  - Brake Hose Clamps [A] (Left and Right)
  - Bolts [B] and Screws [C]
- Remove the front fender [D].



### Rear Fender Removal

- Remove:
  - Seats
  - Fuel Tank
  - Seat Cover
  - Junction Box
  - Starter Relay Assy
  - Turn Signal Relay
  - Battery
  - Rear Brake Reservoir Mounting Bolt
  - Tail/Brake Light Lead Connector [A]
  - Tail/Brake Light [B]
- Remove:
  - Turn Signal Light Lead Connectors [A]
  - Bolts [B]
- Remove the rear fender rearward.



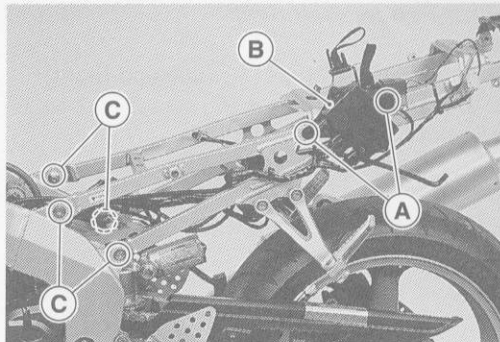
## 14-10 FRAME

### Frame

#### *Rear Frame Removal*

● Remove:

- Rear Fender (see Rear Fender Removal)
- Bolts [A] and IC Igniter Bracket [B]
- Clamps for Main Harness
- Frame Bolts and Nuts [C]



#### *Rear Frame Installation*

- Tighten the frame bolts and nuts.

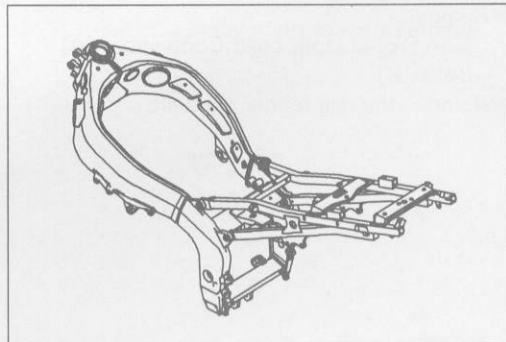
**Torque – Rear Frame Bolts and Nuts: 44 N-m (4.5 kg-m, 33 ft-lb)**

#### *Frame Inspection*

- Visually inspect the frame for cracks, dents, bending, or warp.
- ★ If there is any damage to the frame, replace it.

**▲WARNING**

**A repaired frame may fail in use, possibly causing an accident. If the frame is bent, dented, cracked, or warped, replace it.**



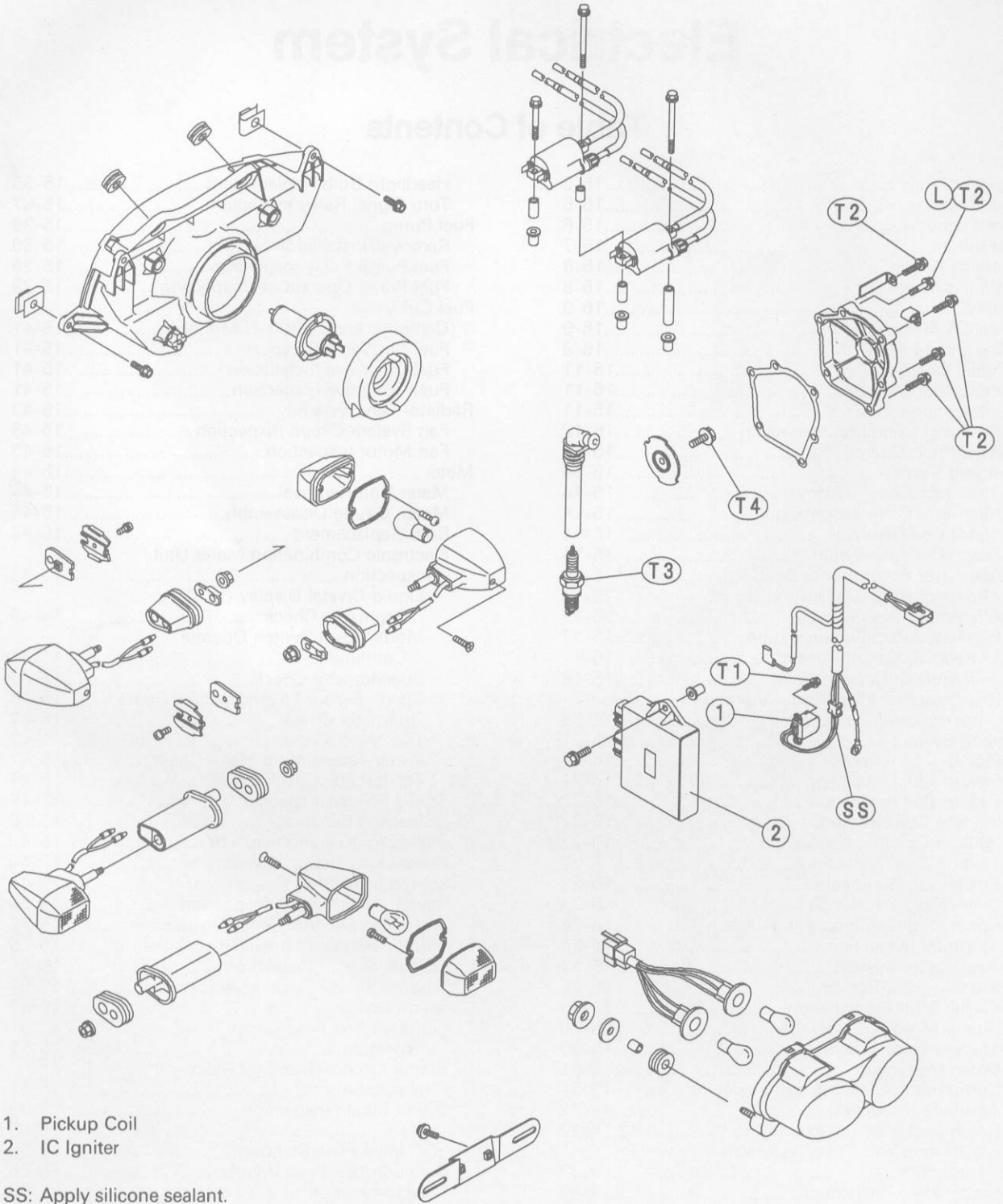
# Electrical System

## Table of Contents

Exploded View .....	15-2	Headlight Bulb Replacement .....	15-35
Specifications .....	15-5	Turn Signal Relay Inspection .....	15-37
Parts Location .....	15-6	Fuel Pump .....	15-39
Precautions .....	15-7	Removal/Installation .....	15-39
Electrical Wiring .....	15-8	Fuel Pump Relay Inspection .....	15-39
Wiring Inspection .....	15-8	Fuel Pump Operational Inspection .....	15-39
Battery .....	15-9	Fuel Cut Valve .....	
Battery Removal .....	15-9	(California and ZX600-H Models) .....	15-41
Electrolyte Filling .....	15-9	Fuel Cut Valve Removal .....	15-41
Initial Charge .....	15-11	Fuel Cut Valve Installation .....	15-41
Precautions .....	15-11	Fuel Cut Valve Inspection .....	15-41
Interchange .....	15-11	Radiator Fan System .....	15-43
Charging Condition Inspection .....	15-12	Fan System Circuit Inspection .....	15-43
Refreshing Charge .....	15-12	Fan Motor Inspection .....	15-43
Charging System .....	15-14	Meter .....	15-44
Alternator Cover Removal .....	15-14	Meter Unit Removal .....	15-44
Alternator Cover Installation .....	15-14	Meter, Gauge Disassembly .....	15-44
Stator Coil Removal .....	15-14	Bulb Replacement .....	15-44
Stator Coil Installation .....	15-14	Electronic Combination Meter Unit .....	
Alternator Rotor Removal .....	15-15	Inspection .....	15-45
Alternator Rotor Installation .....	15-15	Liquid Crystal Display (LCD) .....	
Alternator Inspection .....	15-16	Segments Check: .....	15-45
Regulator/Rectifier Inspection .....	15-17	Mode/Reset Switch Operate .....	
Rectifier Circuit Check: .....	15-17	Confirmation: .....	15-45
Regulator Circuit Check: .....	15-18	Speedometer Check: .....	15-46
Regulator/Rectifier Output Voltage .....		Speed Sensor Electric Source Check: .....	15-46
Inspection .....	15-19	Odometer Check: .....	15-47
Ignition System .....	15-21	Trip Meter Check: .....	15-47
Pickup Coil Removal .....	15-21	Water Temperature Meter Check: .....	15-47
Pickup Coil Installation .....	15-21	Tachometer Check: .....	15-47
Pickup Coil Inspection .....	15-22	Speed Sensor Inspection .....	15-48
Ignition Coil Removal .....	15-22	Switches and Sensors .....	15-49
Ignition Coil Installation .....	15-22	Brake Light Timing Inspection .....	15-49
Ignition Coil Inspection .....	15-22	Brake Light Timing Adjustment .....	15-49
Spark Plug Removal .....	15-23	Switch Inspection .....	15-49
Spark Plug Installation .....	15-23	Radiator Fan Switch Inspection .....	15-50
Spark Plug Gap Inspection .....	15-24	Water Temperature Sensor Inspection .....	15-50
IC Igniter Inspection .....	15-24	Throttle Sensor Removal/Installation .....	15-50
Electric Starter System .....	15-29	Throttle Sensor Inspection .....	15-51
Starter Motor Removal .....	15-29	Throttle Sensor Position Adjustment .....	15-51
Starter Motor Installation .....	15-29	Junction Box .....	15-52
Starter Motor Disassembly .....	15-29	Junction Box Fuse Circuit .....	
Starter Motor Assembly .....	15-30	Inspection .....	15-52
Brush Inspection .....	15-31	Starter Circuit/Headlight Relay .....	
Commutator Cleaning and Inspection .....	15-31	Inspection .....	15-52
Armature Inspection .....	15-32	Diode Circuit Inspection .....	15-53
Brush Assembly Inspection .....	15-32	Fuse .....	15-55
Right-hand End Cover Assembly .....		30A Main Fuse Removal .....	15-55
Inspection .....	15-32	Junction Box Fuse Removal .....	15-55
Starter Relay Inspection .....	15-32	Fuse Installation .....	15-55
Starter Motor Clutch Removal .....	15-33	Fuse Inspection .....	15-55
Starter Motor Clutch Installation .....	15-33	Wiring Diagram (US, Canada, .....	
Starter Motor Clutch Inspection .....	15-33	and Malaysia) .....	15-56
Lighting System .....	15-35	Wiring Diagram (Australia) .....	15-58
Headlight Beam Horizontal Adjustment .....	15-35	Wiring Diagram (Other than US, Canada, .....	
Headlight Beam Vertical Adjustment .....	15-35	Malaysia, and Australia) .....	15-60

# 15-2 ELECTRICAL SYSTEM

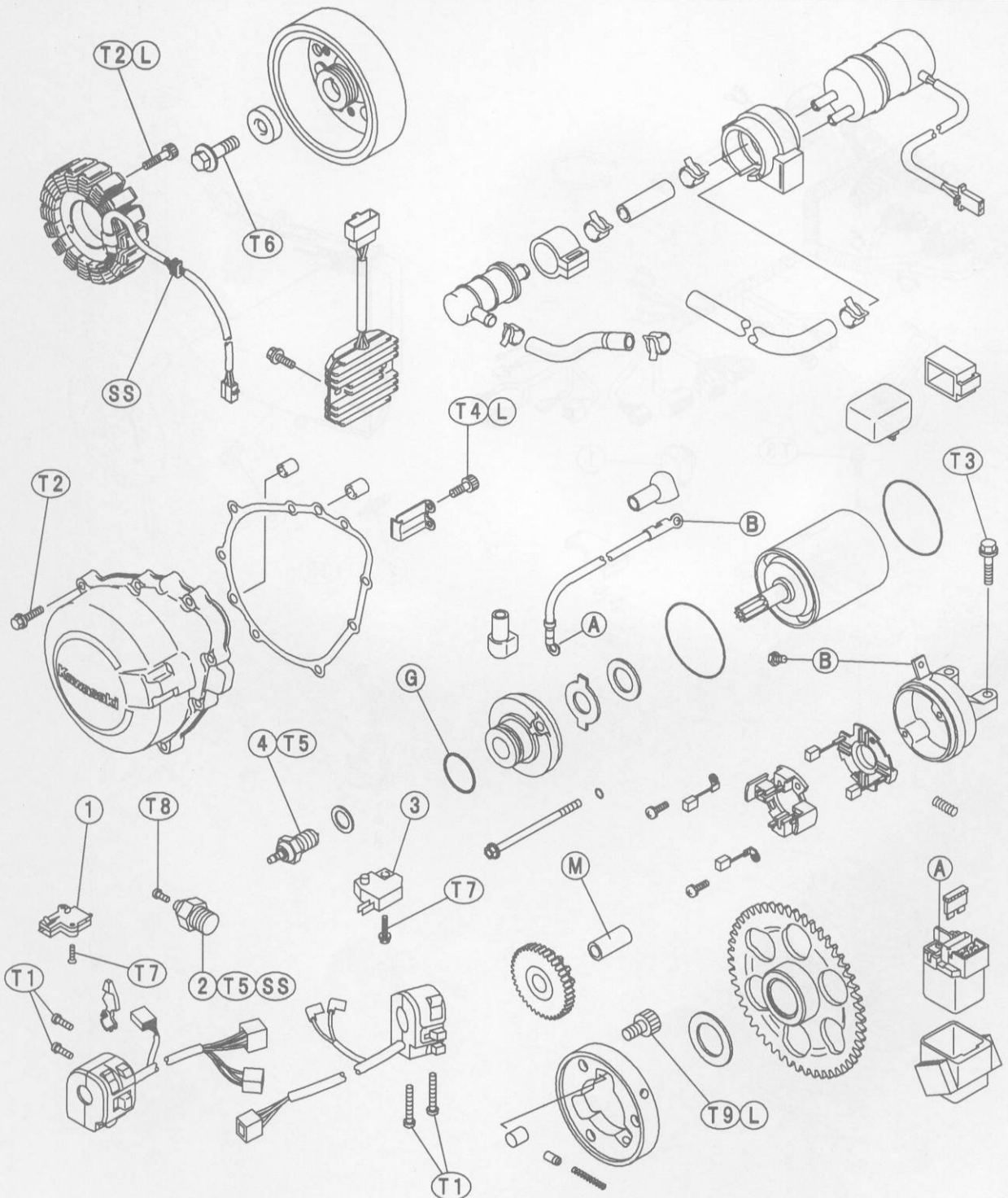
## Exploded View



- 1. Pickup Coil
- 2. IC Igniter

SS: Apply silicone sealant.  
L: Apply a non-permanent locking agent.

- T1: 5.9 N-m (0.60 kg-m, 52 in-lb)
- T2: 12 N-m (1.2 kg-m, 104 in-lb)
- T3: 13 N-m (1.3 kg-m, 113 in-lb)
- T4: 39 N-m (4.0 kg-m, 29 ft-lb)



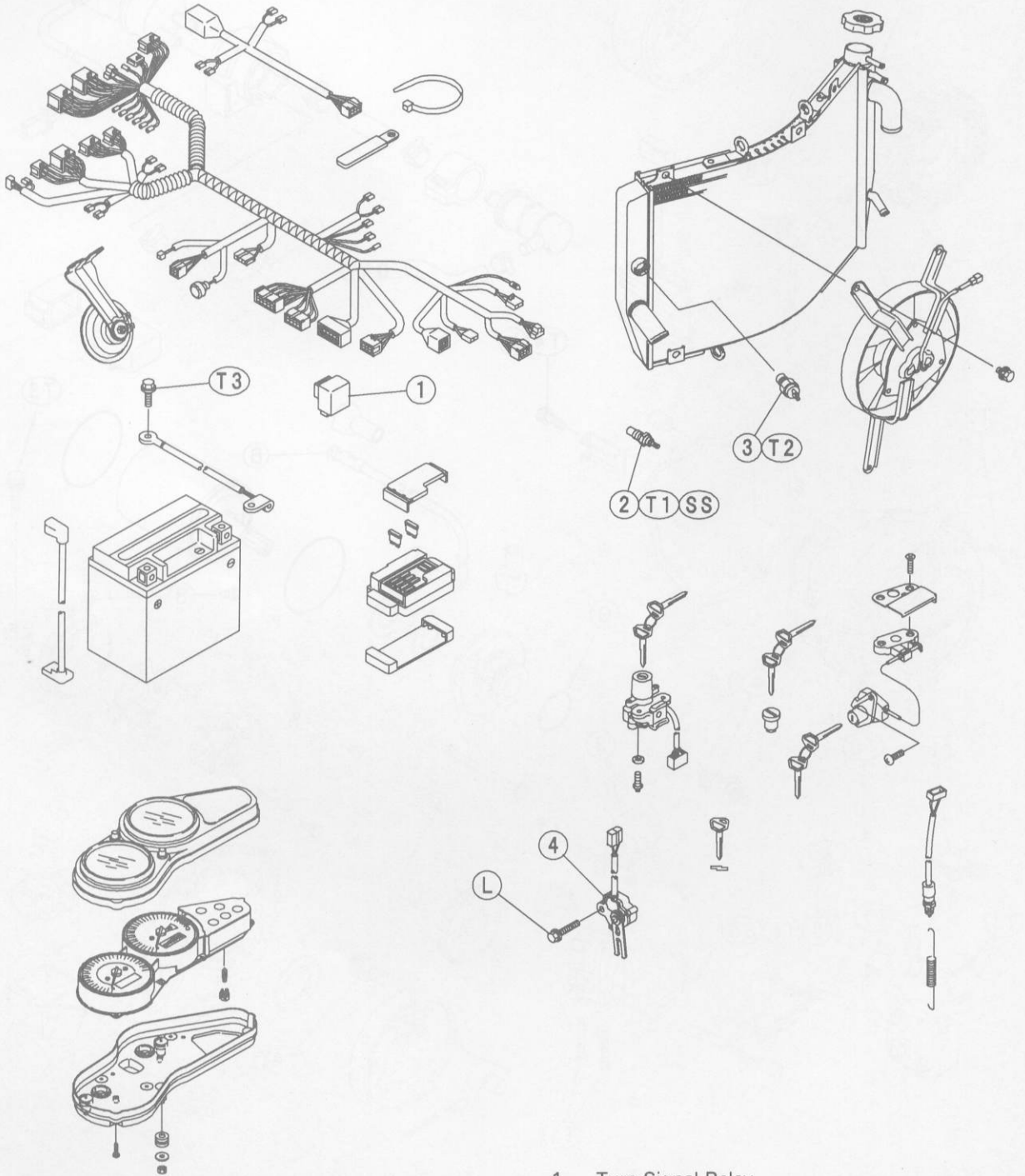
1. Starter Lockout Switch
2. Oil Pressure Switch
3. Front Brake Light Switch
4. Neutral Switch

L: Apply a non-permanent locking agent.  
 SS: Apply silicone sealant.  
 M: Apply molybdenum disulfide grease.  
 G: Apply grease or engine oil.

- T1: 3.4 N-m (0.35 kg-m, 30 in-lb)  
 T2: 12 N-m (1.2 kg-m, 104 in-lb)  
 T3: 11 N-m (1.1 kg-m, 95 in-lb)  
 T4: 8.3 N-m (0.85 kg-m, 74 in-lb)  
 T5: 15 N-m (1.5 kg-m, 11.0 ft-lb)  
 T6: 120 N-m (12.0 kg-m, 87 ft-lb)  
 T7: 1.0 N-m (0.10 kg-m, 9 in-lb)  
 T8: 1.5 N-m (0.15 kg-m, 13 in-lb)  
 T9: 34 N-m (3.5 kg-m, 25 ft-lb)



# 15-4 ELECTRICAL SYSTEM



SS: Apply silicone sealant.  
 L: Apply a non-permanent locking agent.

1. Turn Signal Relay
2. Water Temperature Sensor
3. Fan Switch
4. Side Stand Switch

T1: 7.8 N-m (0.80 kg-m, 69 in-lb)  
 T2: 18 N-m (1.8 kg-m, 13.0 ft-lb)  
 T3: 9.8 N-m (1.0 kg-m, 87 in-lb)

## Specifications

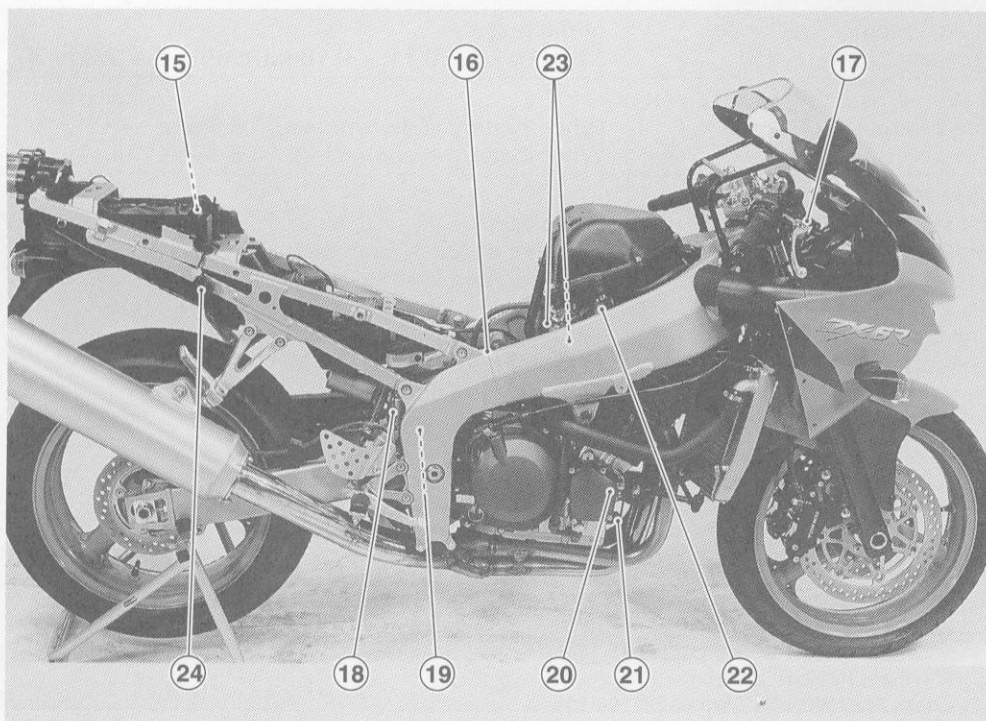
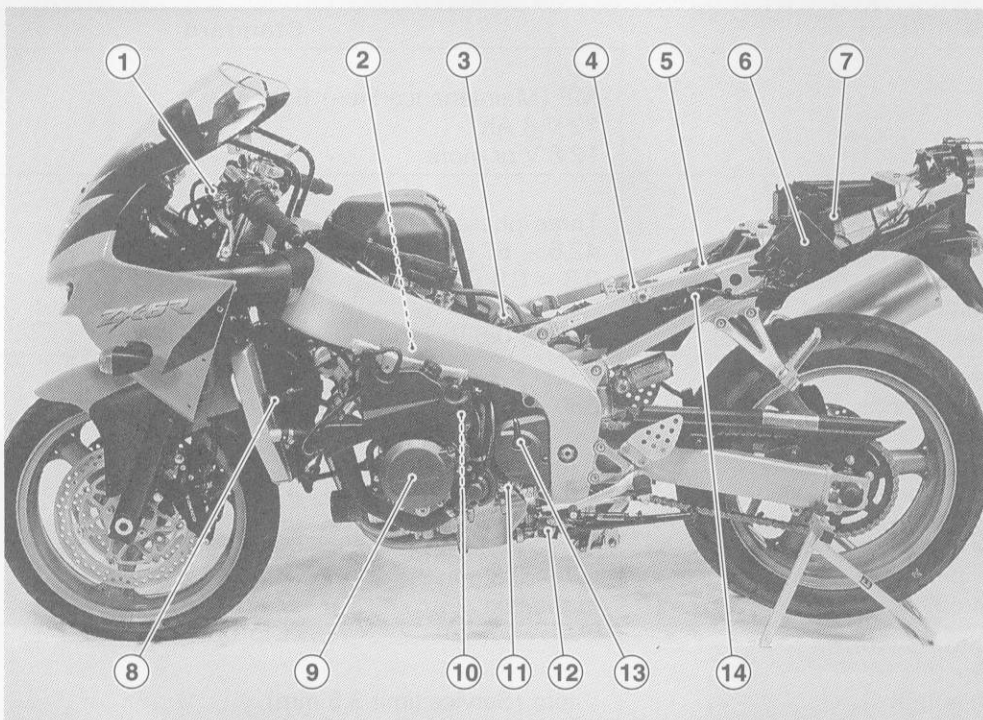
Item	Standard
<b>Battery:</b> Type Capacity Voltage	MF (Maintenance Free) Battery 12 V 8 Ah 12.8 V or more
<b>Charging System:</b> Type Alternator output voltage Stator coil resistance Charging voltage (regulator/rectifier output voltage)	Three-phase AC 42.5 ~ 57.5 V @4,000 r/min (rpm) 0.3 ~ 0.4 $\Omega$ 14.7 $\pm$ 0.5 V
<b>Ignition System:</b> Pickup coil resistance Ignition coil: 3 needle arcing distance Primary winding resistance Secondary winding resistance Spark plug: Spark plug gap IC igniter internal resistance	380 ~ 570 $\Omega$ 8 mm or more 2.6 ~ 3.2 $\Omega$ 13.5 ~ 16.5 k $\Omega$ 0.7 ~ 0.8 mm in the text
<b>Electric Starter System:</b> Starter motor: Brush length Commutator diameter	7 mm (Service limit 3.5 mm) 24 mm (Service limit 23 mm)
<b>Fuel Pump:</b> Fuel pump relay internal resistance Fuel pump pressure	in the text 11 ~ 16 kPa (0.11 ~ 0.16 kg/cm <sup>2</sup> , 1.6 ~ 2.3 psi)
<b>Fuel Cut Valve:</b> Fuel cut valve protrusion	When battery is disconnected: 16.6 mm When battery is connected: 18.6 ~ 19.1 mm
<b>Switch and Sensor:</b> Speedometer sensor Rear brake light switch timing Engine oil pressure switch connections:  Fan switch resistance: Rising temperature Falling temperature  Water temperature sensor resistance  Throttle sensor output voltage	in the text ON after about 10 mm pedal travel When engine is stopped: ON When engine is running: OFF  From OFF to ON @ 93 ~ 103°C (205 ~ 212°F) From ON to OFF @ above 91°C (196°F) ON: Less than 0.5 $\Omega$ OFF: More than 1 M $\Omega$ 50°C (122°F): 9.18 ~ 9.94 k $\Omega$ 80°C (176°F): 2.50 ~ 3.06 k $\Omega$ 120°C (248°F): 0.65 ~ 0.73 k $\Omega$ When engine is idling: 0.95 ~ 1.05 V

**Special Tools –** Hand Tester: 57001-1394  
Flywheel Puller, M38 X 1.5: 57001-1405  
Flywheel Holder: 57001-1313  
Spark Plug Wrench, 16mm: 92110-1146  
Carburetor Drain Plug Wrench, Hex 3: 57001-1269  
Igniter Checker Assembly: 57001-1378  
Harness Adapter #13: 57001-1399  
Throttle Sensor Setting Adapter: 57001-1408

**Sealant –** Kawasaki Bond (Silicone Sealant): 56019-120

# 15-6 ELECTRICAL SYSTEM

## Parts Location



- |                             |                                 |   |
|-----------------------------|---------------------------------|---|
| 1. Starter Lockout Switch   | 10. Starter Motor               | 19. Regulator/Rectifier                         |
| 2. Water Temperature Sensor | 11. Neutral Switch              | 20. Pickup Coil                                 |
| 3. Ignition Coils           | 12. Side Stand Switch           | 21. Oil Pressure Switch                         |
| 4. Battery                  | 13. Speed Sensor                | 22. Throttle Sensor                             |
| 5. Junction Box             | 14. Starter Relay and Main Fuse | 23. Fuel Cut Valves<br>(CA, ZX600H Models)      |
| 6. IC Igniter               | 15. Turn Signal Relay           | 24. Tail Light Relay<br>(Except AS, US, CN, ML) |
| 7. Fuel Pump Relay          | 16. Fuel Pump                   |   |
| 8. Radiator Fan Switch      | 17. Front Brake Light Switch    |   |
| 9. Alternator               | 18. Rear Brake Light Switch     |   |

## Precautions

There are a number of important precautions that are musts when servicing electrical systems. Learn and observe all the rules below.

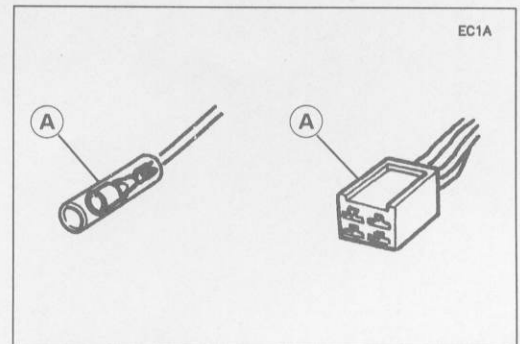
- Do not reverse the battery lead connections. This will burn out the diodes on the electrical parts.
- Always check battery condition before condemning other parts of an electrical system. A fully charged battery is a must for conducting accurate electrical system tests.
- The electrical parts should never be struck sharply, as with a hammer, or allowed to fall on a hard surface. Such a shock to the parts can damage them.
- To prevent damage to electrical parts, do not disconnect the battery leads or any other electrical connections when the ignition switch is on, or while the engine is running.
- Because of the large amount of current, never keep the starter button pushed when the starter motor will not turn over, or the current may burn out the starter motor windings.
- Do not use a meter illumination bulb rated for other than voltage or wattage specified in the wiring diagram, as the meter or gauge panel could be warped by excessive heat radiated from the bulb.
- Take care not to short the leads that are directly connected to the battery positive (+) terminal to the chassis ground.
- Troubles may involve one or in some cases all items.  
Never replace a defective part without determining what CAUSED the failure. If the failure was caused by some other item or items, they too must be repaired or replaced, or the new replacement will soon fail again.
- Make sure all connectors in the circuit are clean and tight, and examine wires for signs of burning, fraying, etc. Poor wires and bad connections will affect electrical system operation.
- Measure coil and winding resistance when the part is cold (at room temperature).

### ○ Color Codes:

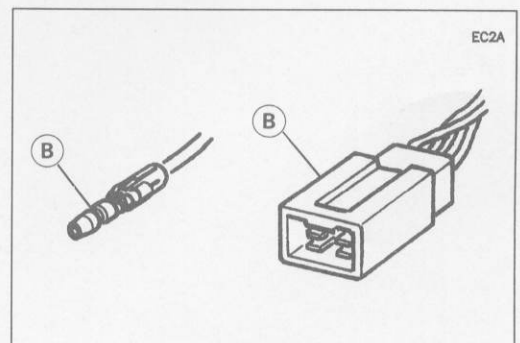
BK	Black	G	Green	P	Pink
BL	Blue	GY	Gray	PU	Purple
BR	Brown	LB	Light blue	R	Red
CH	Chocolate	LG	Light green	W	White
DG	Dark green	O	Orange	Y	Yellow

### ○ Electrical Connectors

#### Female Connectors [A]



#### Male Connectors [B]



## 15-8 ELECTRICAL SYSTEM

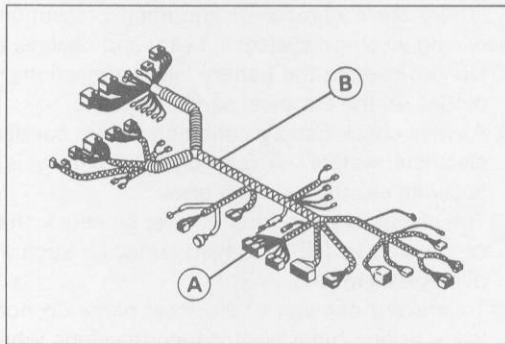
### Electrical Wiring

#### Wiring Inspection

- Visually inspect the wiring for signs of burning, fraying, etc.
- ★ If any wiring is poor, replace the damaged wiring.
- Pull each connector [A] apart and inspect it for corrosion, dirt, and damage.
- ★ If the connector is corroded or dirty, clean it carefully. If it is damaged, replace it.
- Check the wiring for continuity.
- Use the wiring diagram to find the ends of the lead which is suspected of being a problem.
- Connect the hand tester between the ends of the leads.

#### Special Tool – Hand Tester: 57001-1394

- Set the tester to the x 1  $\Omega$  range, and read the tester.
- ★ If the tester does not read 0  $\Omega$ , the lead is defective. Replace the lead or the wiring harness [B] if necessary.



## Battery

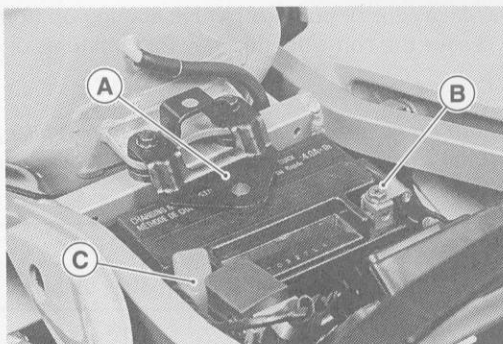
### Battery Removal

- Remove:
  - Seats (see Frame Chapter)
  - Front Seat Bracket [A] (Battery Holder)
- Disconnect the negative terminal lead [B] and then positive terminal lead [C].

#### CAUTION

Be sure to disconnect the negative terminal lead first.

- Remove the battery.



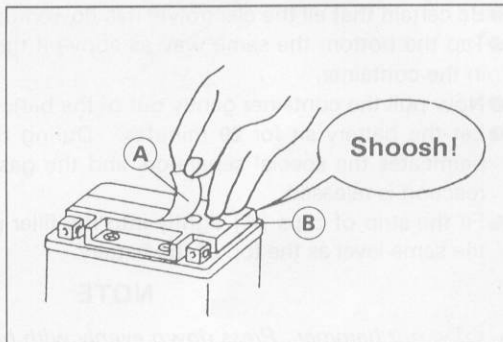
### Electrolyte Filling

#### CAUTION

Do not remove the aluminum seal sheet sealing the filler ports until just before use.

Be sure to use the dedicated electrolyte container for correct electrolyte volume.

- Check to see that there is no peeling, tears or holes in the sealing sheet.
- Place the battery on a level surface.
- Remove the sealing sheet [A].
- When removing, check to hear an air-sucking sound "Shoosh!" from filler ports [B].



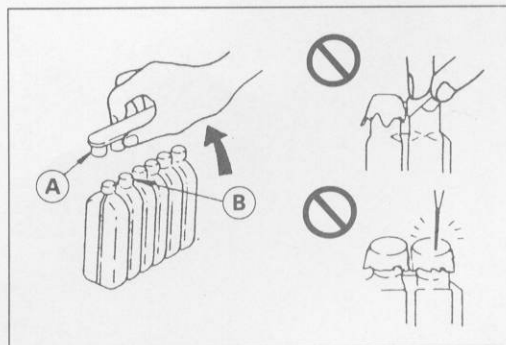
#### NOTE

- A battery whose sealing sheet has any peeling, tears, holes, or from which the air-sucking sound was not heard requires a refreshing charge (initial charge).

- Take the electrolyte container out of the vinyl bag.
- Detach the strip of caps [A] from the container.

#### NOTE

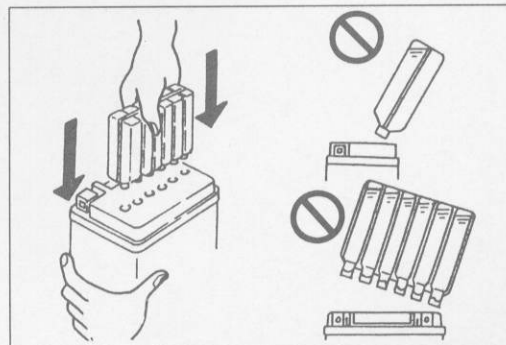
- Do not discard the strip of caps because it is used as the battery plugs later.
- Do not peel back or pierce the sealed areas [B].



- Place the electrolyte container upside down with the six sealed areas in line with the six battery filler ports.
- Push the container down strongly enough to break the seals. Now the electrolyte should start to flow into the battery.

#### NOTE

- Do not tilt the container as the electrolyte flow may be interrupted.



## 15-10 ELECTRICAL SYSTEM

- Make sure air bubbles [A] are coming up from all six filler ports.
- Leave the container this way for 5 minutes or longer.

### NOTE

- If no air bubbles are coming up from a filler port, tap [B] the bottom of the bottle two or three times. Never remove the container from the battery.

### CAUTION

Fill until the container is completely emptied.

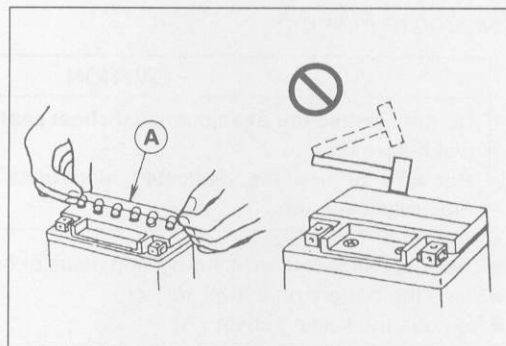
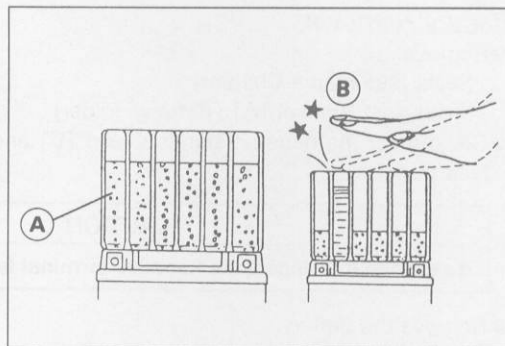
- Be certain that all the electrolyte has flowed out.
- Tap the bottom the same way as above if there is any electrolyte left in the container.
- Now pull the container gently out of the battery.
- Let the battery sit for **20 minutes**. During this time, the electrolyte permeates the special separators and the gas generated by chemical reaction is released.
- Fit the strip of caps [A] tightly into the filler ports until the strip is at the same level as the top of the battery.

### NOTE

- Do not hammer. Press down evenly with both hands.

### CAUTION

Once you install the strip of caps after filling the battery, never remove it, nor add any water or electrolyte.



### Initial Charge

While a maintenance free battery can be used after only filling with electrolyte, a battery may not be able to sufficiently move a starter motor to start an engine in the cases shown in the table below, where an initial charge is required before use. However, if a battery shows a terminal voltage of higher than 12.5 V after 10 minutes of filling (Note 1), no initial charge is necessary.

Condition requiring initial charge	Charging method
At low temperatures (lower than 0°C)	0.9 A × 2 ~ 3 hours
Battery has been stored in high temperature and humidity.	0.9 A × 15 ~ 20 hours
Seal has been removed, or broken – peeling, tear or hole. (If you did not hear the air-sucking sound “Shoosh!” as you removed the seal.)	
Battery as old as 2 years or more after manufacture. Battery manufacturing date is printed on battery top. Example) <u>12</u> <u>10</u> <u>93</u> <u>T1</u> Day        Month        Year        Mfg. location	

Note 1 : Terminal voltage – To measure battery terminal voltage, use a digital voltmeter.

### Precautions

- 1) No need of topping-up  
No topping-up is necessary in this battery until it ends its life under normal use. Forcibly prying off the sealing plug to add water is very dangerous. Never do that.
- 2) Refreshing charge  
If an engine will not start, a horn sounds weak, or lamps are dim, it indicates the battery has been discharged. Give refresh charge for 5 to 10 hours with charge current shown in the specification (see the Electrical System chapter).  
When a fast charge is inevitably required, do it following precisely the maximum charge current and time conditions indicated on the battery.

#### CAUTION

**This battery is designed to sustain no unusual deterioration if refresh-charged according to the method specified above. However, the battery's performance may be reduced noticeably if charged under conditions other than given above. Never remove the sealing plug during refresh charge.**  
**If by chance an excessive amount of gas is generated due to overcharging, the safety valve operates to keep the battery safe.**

- 3) When you do not use the motorcycle for months  
Give a refresh charge before you store the motorcycle and store it with the negative lead removed. Give a refresh charge every month during storage.
- 4) Battery life  
If the battery will not start the engine even after several refresh charges, the battery has exceeded its useful life. Replace it. (Provided, however, the vehicle's starting system has no problem.)



**Charging Condition Inspection**

Battery charging condition can be checked by measuring battery terminal voltage.

- Remove the seats (see Frame chapter).
- Disconnect the battery terminal leads.

**CAUTION**

**Be sure to disconnect the negative terminal lead first.**

- Measure the battery terminal voltage.

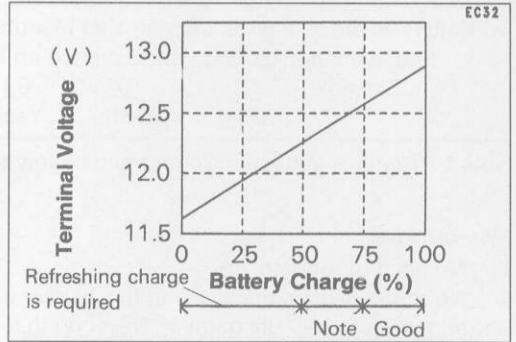
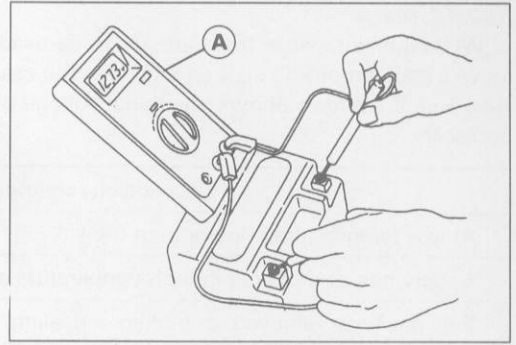
**NOTE**

○ Measure with a digital voltmeter [A] which can be read to one decimal place voltage.

★ If the reading is below the specified, refreshing charge is required.

**Battery Terminal Voltage**

Standard: 12.8 V or more



**Refreshing Charge**

- Remove the battery [A] (see Battery Removal).
- Refresh-charge by following method according to the battery terminal voltage.

**▲WARNING**

**This battery is sealed type. Never remove sealing caps [B] even at charging. Never add water. Charge with current and time as stated below.**

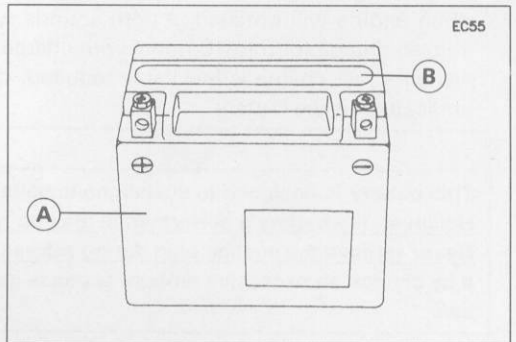
Terminal Voltage: 11.5 ~ less than 12.8 V

**Standard Charge**

0.9 A x 5 ~ 10 h (see following chart)

**Quick Charge**

4.0 A x 1.0 h



**CAUTION**

**If possible, do not quick charge. If the quick charge is done due to unavoidable circumstances, do standard charge later on.**

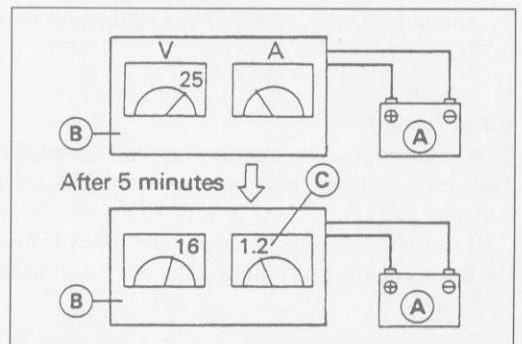
Terminal Voltage : less than 11.5 V

Charging Method : 0.9 A x 20 h

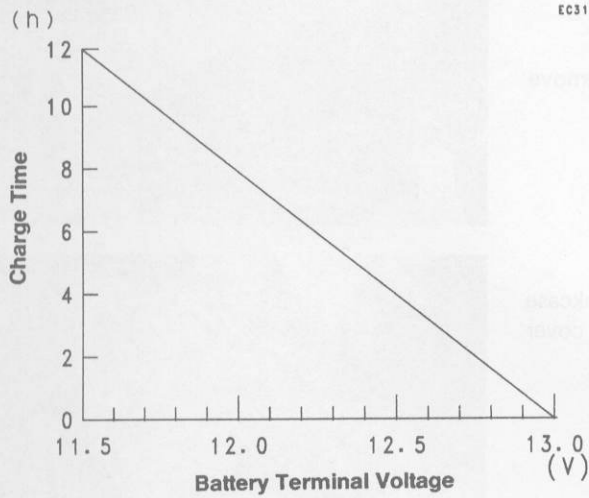
**NOTE**

○ Raise the voltage initially (25 V as maximum), and charge for about 5 minutes as a yardstick. If ammeter shows no change in current after 5 minutes, you need a new battery. The current, if it can flow into the battery, tends to become excessive. Adjust the voltage as often as possible to keep the current at standard value (1.2 A).

Battery [A]  
 Battery Charger [B]  
 Standard Value [C]



## Battery Standard Charge Time Chart



- Determine battery condition after refreshing charge.
- Determine the condition of the battery 30 minutes after completion of the charge by measuring the terminal voltage according to the table below.

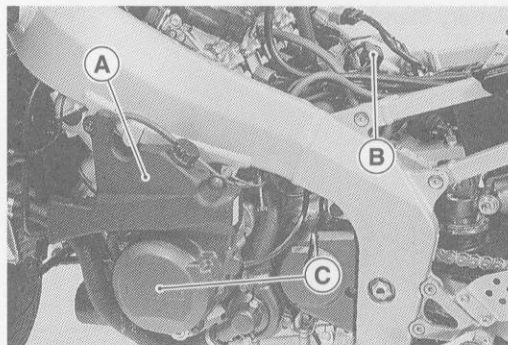
Criteria	Judgement
12.8 V or higher	Good
12.0 ~ 12.8 V or more	Charge insufficient → Recharge.
12.0 V or lower	Unserviceable → Replace

## 15-14 ELECTRICAL SYSTEM

### Charging System

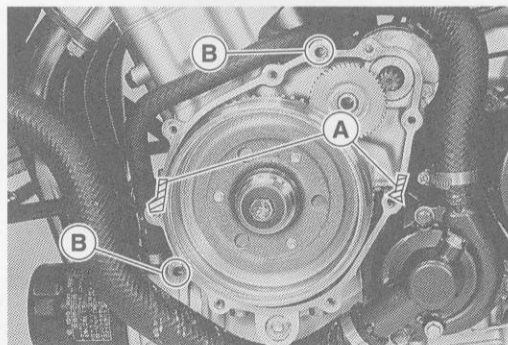
#### Alternator Cover Removal

- Remove:
  - Left Lower Fairing (see Frame chapter)
  - Coolant Reserve Tank [A]
  - Fuel Tank (see Fuel System chapter)
  - Alternator Lead Connector [B]
- Place a suitable container under the alternator cover [C], and remove the cover.



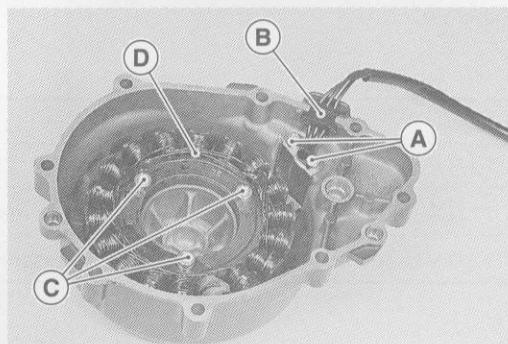
#### Alternator Cover Installation

- Apply silicone sealant to the alternator lead grommet and crankcase halves mating surface [A] on the front and rear sides of the cover mount.
- Sealant – Kawasaki Bond (Silicone Sealant): 56019-120**
- Check that knock pins [B] are in place on the crankcase.
- Install a new gasket and the alternator cover.
- Tighten the cover bolts.
- Torque – Alternator Cover Bolts: 12 N-m (1.2 kg-m, 104 in-lb)**



#### Stator Coil Removal

- Remove:
  - Alternator Cover (see Alternator Cover Removal)
  - Holding Plate Bolts [A] and Plate
  - Alternator Lead Grommet [B]
  - Stator Coil Bolts [C]
- Remove the stator coil [D] from the alternator cover.

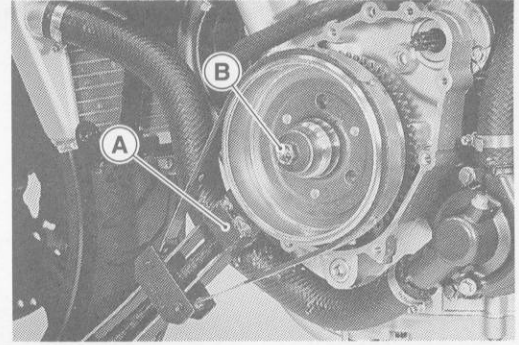


#### Stator Coil Installation

- Apply a non-permanent locking agent to the threads of the stator coil bolts and tighten them.
- Torque – Stator Coil Bolts: 12 N-m (1.2 kg-m, 104 in-lb)**
- Apply silicone sealant to the circumference of the alternator lead grommet, and fit the grommet into the notch of the cover securely.
- Sealant – Kawasaki Bond (Silicone Sealant): 56019-120**
- Secure the alternator lead with a holding plate, and apply a non-permanent locking agent to the threads of the plate bolts and tighten them.
- Torque – Alternator Lead Holding Plate Bolts: 8.3 N-m (0.85 kg-m, 74 in-lb)**
- Install the alternator cover (see Alternator Cover Installation).

### Alternator Rotor Removal

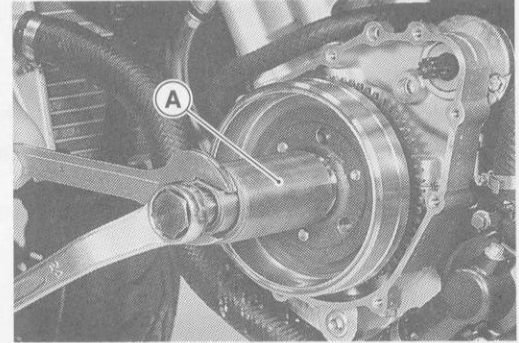
- Remove:
  - Alternator Cover (see Alternator Cover Removal)
  - Starter Idle Gear and Shaft
- Wipe oil off the outer circumference of the rotor.
- Hold the alternator rotor steady with the flywheel holder [A], and remove the rotor bolt [B].



**Special Tool – Flywheel Holder: 57001-1313**

- Using the flywheel puller [A], remove the alternator rotor from the crankshaft.

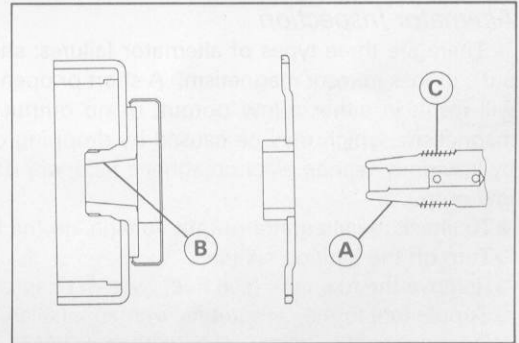
**Special Tool – Flywheel Puller Assembly, M38/M35: 57001-1405**



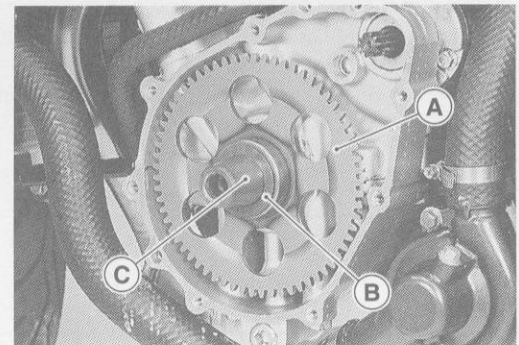
CAUTION
Do not attempt to strike the alternator rotor itself. Striking the rotor can cause the magnets to lose their magnetism.

### Alternator Rotor Installation

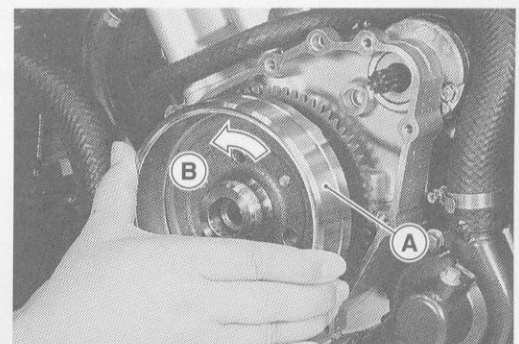
- Using a cleaning fluid, clean off any oil or dirt on the following portions and dry them with a clean cloth.
  - [A] Crankshaft Tapered Portion
  - [B] Alternator Rotor Tapered Portion
- Apply a thin coat of molybdenum disulfide grease to the crankshaft [C].



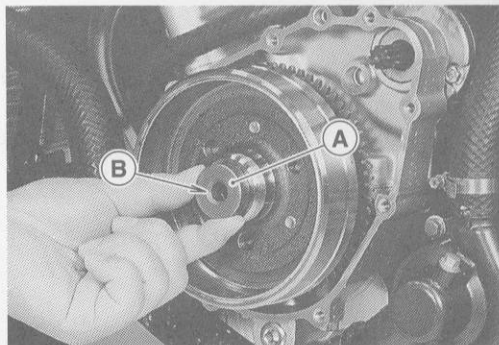
- Install the starter gear [A] and washer [B].
- Again, clean the crankshaft tapered portion [C] and dry there.



- Install the alternator rotor [A] while turning [B] it counterclockwise.



- Install the washer [A] so that the chamfer side [B] faces outward.

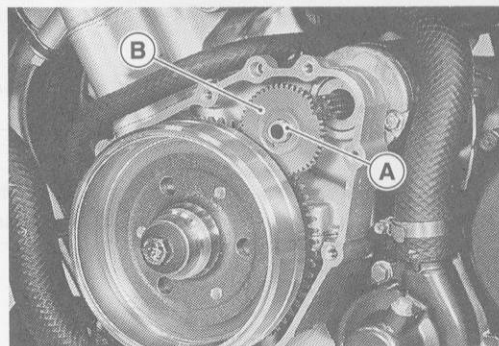


- Tighten the alternator rotor bolt while holding the alternator rotor steady with the flywheel holder.

**Special Tool – Flywheel Holder: 57001-1313**

**Torque – Alternator Rotor Bolt: 120 N-m (12.0 kg-m, 87 ft-lb)**

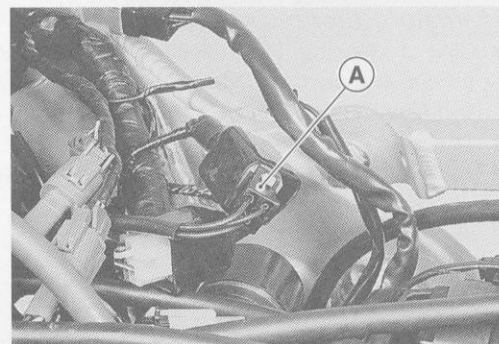
- Apply a thin coat of molybdenum disulfide grease to the shaft [A], and install it and starter idle gear [B].
- Install the alternator cover (see Alternator Cover Installation).



### Alternator Inspection

There are three types of alternator failures: short, open (wire burned out), or loss in rotor magnetism. A short or open in one of the coil wires will result in either a low output, or no output at all. A loss in rotor magnetism, which may be caused by dropping or hitting the alternator, by leaving it near an electromagnetic field, or just by aging, will result in low output.

- To check the alternator output voltage, do the following procedures.
  - Turn off the ignition switch.
  - Remove the fuel tank (see Fuel System chapter).
  - Supply fuel to the carburetors with an auxiliary fuel tank.
  - Disconnect the alternator lead connector [A].
  - Connect the hand tester as shown in the table 1.
  - Start the engine and run it at 6,000 rpm 5 minutes.
  - Run it at the rpm given in the table 1.
  - Note the voltage readings (total 3 measurements).



**Table 1 Alternator Output Voltage**

Tester Range	Connections		Reading @ 4,000 rpm
	Tester (+) to	Tester (-) to	
250 V AC	One black lead	Another black lead	42.5 ~ 57.5 V

★ If the output voltage shows the value in the table, the alternator operates properly and the regulator/rectifier is damaged. A much lower reading than that given in the table indicates that the alternator is defective.

- Check the stator coil resistance as follows.
  - Stop the engine.
  - Connect the hand tester as shown in the table 2.
  - Note the readings (total 3 measurement).

**Table 2 Stator Coil Resistance**

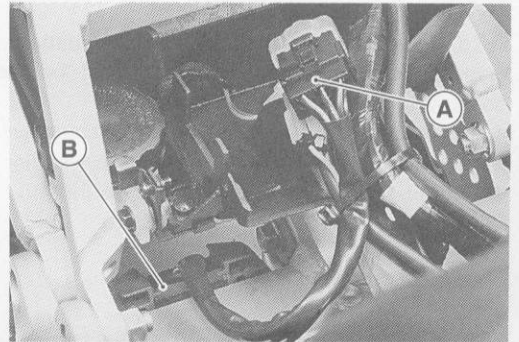
Tester Range	Connections		Reading
	Tester (+) to	Tester (-) to	
$\times 1 \Omega$	One black lead	Another black lead	$0.3 \sim 0.4 \Omega$

- ★ If there is more resistance than shown in the table, or no hand tester reading (infinity) for any two leads, the stator has an open lead and must be replaced. Much less than this resistance means the stator is shorted, and must be replaced.
- Using the highest resistance range of the hand tester, measure the resistance between each of the black leads and chassis ground.
- ★ Any hand tester reading less than infinity ( $\infty$ ) indicates a short, necessitating stator replacement.
- ★ If the stator coils have normal resistance, but the voltage check showed the alternator to be defective; then the rotor magnets have probably weakened, and the rotor must be replaced.

**Special Tool – Hand Tester: 57001-1394**

### Regulator/Rectifier Inspection

- Remove:
  - Seat (see Frame chapter)
  - Connector [A] (disconnect)
  - Regulator/Rectifier [B]



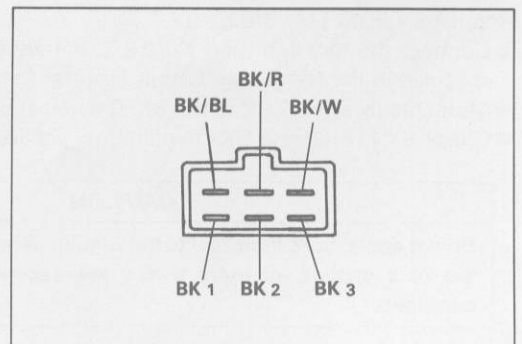
### Rectifier Circuit Check:

- Check conductivity of the following pair of terminals.

#### Rectifier Circuit Inspection

Tester connection	BK/BL-BK1, BK/BL-BK2, BK/BL-BK3
	BK/W-BK1, BK/W-BK2, BK/W-BK3

- ★ The resistance should be low in one direction and more than ten times as much in the other direction. If any two leads are low or high in both directions, the rectifier is defective and must be replaced.



### NOTE

- The actual meter reading varies with the meter used and the individual rectifier, but, generally speaking the lower reading should be from zero to one half the scale.

## Regulator Circuit Check:

To test the regulator out of circuit, use three 12 V batteries and a test light (12 V 3 ~ 6 W bulb in a socket with leads).

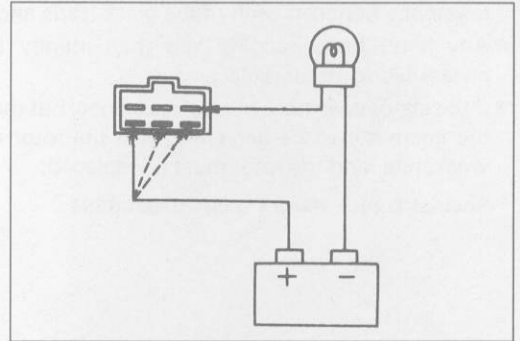
### CAUTION

The test light works as an indicator and also a current limiter to protect the regulator/rectifier from excessive current. Do not use an ammeter instead of a test light.

- Check to be sure the rectifier circuit is normal before continuing.

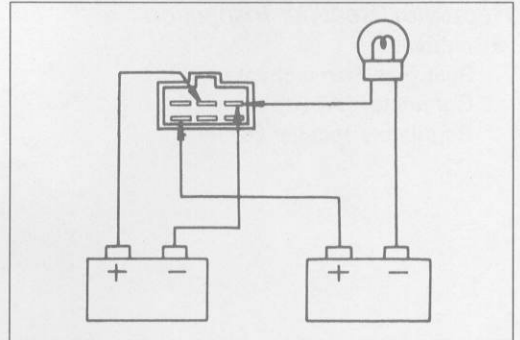
## Regulator Circuit Test-1st Step:

- Connect the test light and the 12 V battery to the regulator/rectifier as shown.
- Check BK 1, BK2, and BK3 terminal respectively.
- ★ If the test light turns on, the regulator/rectifier is defective. Replace it.
- ★ If the test light does not turn on, continue the test.



## Regulator Circuit Test-2nd Step:

- Connect the test light and the 12 V battery in the same manner as specified in the "Regulator Circuit Test-1st Step".
- Apply 12 V to the BK/R terminal.
- Check BK 1, BK2, and BK3 terminal respectively.
- ★ If the test light turns on, the regulator/rectifier is defective. Replace it.
- If the test light does not turn on, continue the test.

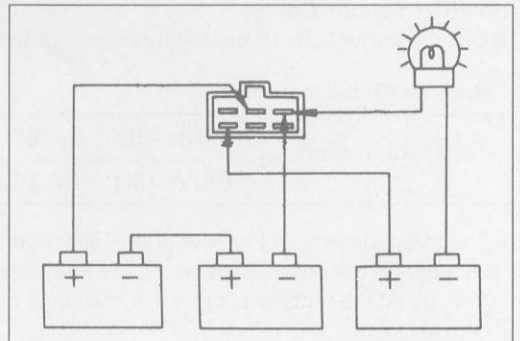


## Regulator Circuit Test-3rd Step:

- Connect the test light and the 12 V battery in the same manner as specified in the "Regulator Circuit Test-1st Step".
- Momentarily apply 24 V to the BK/R terminal by adding a 12 V battery.
- Check BK 1, BK2, and BK3 terminals respectively.

### CAUTION

Do not apply more than 24 V to the regulator/rectifier and do not leave the 24 V applied for more than a few seconds, or the unit will be damaged.



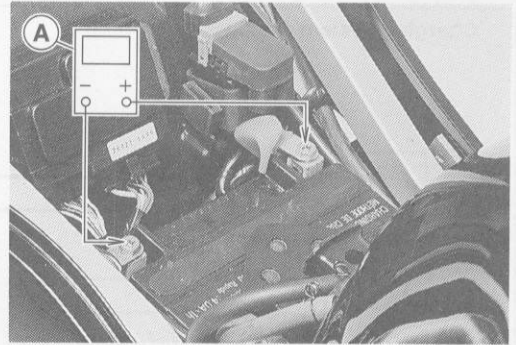
- ★ If the test light did not light when the 24 V was applied momentarily to the BK/R terminal, the regulator/rectifier is defective. Replace it.
- ★ If the regulator/rectifier passes all of the tests described, it may still be defective. If the charging system still does not work properly after checking all of the components and the battery, test the regulator/rectifier by replacing it with a known good unit.

**Regulator/Rectifier Output Voltage Inspection**

- Check the battery condition (see Battery section).
- Warm up the engine to obtain actual alternator operating conditions.
- Check that the ignition switch is turned off, and connect the hand tester [A] to the battery terminal.

**Special Tool – Hand Tester: 57001-1394**

- Start the engine, and note the voltage readings at various engine speeds with the headlight turned on and then turned off. (To turn off the headlight of US, Canada and Australia models, disconnect the headlight connector in the upper fairing.) The readings should show nearly battery voltage when the engine speed is low, and, as the engine speed rises, the readings should also rise. But they must be kept under the specified voltage.

**Regulator/Rectifier Output Voltage**

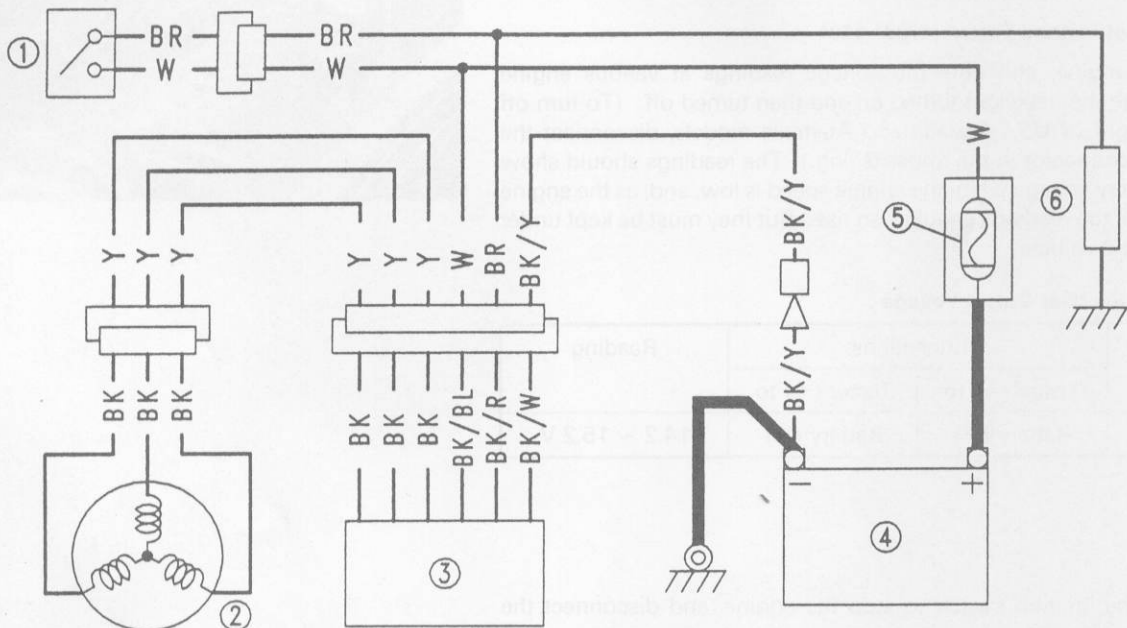
Tester Range	Connections		Reading
	Tester (+) to	Tester (-) to	
25 V DC	Battery (+)	Battery (-)	14.2 ~ 15.2 V

- Turn off the ignition switch to stop the engine, and disconnect the hand tester.
- ★ If the regulator/rectifier output voltage is kept between the values given in the table, the charging system is considered to be working normally.
- ★ If the output voltage is much higher than the values specified in the table, the regulator/rectifier is defective or the regulator/rectifier leads are loose or open.
- ★ If the battery voltage does not rise as the engine speed increases, then the regulator/rectifier is defective or the alternator output is insufficient for the loads. Check the alternator and regulator/rectifier to determine which part is defective.



# 15-20 ELECTRICAL SYSTEM

## Charging System Circuit



1. Ignition Switch  
2. Alternator

3. Regulator/Rectifier  
4. Battery

5. Main Fuse 30A  
6. Load

## Ignition System

### ▲WARNING

The ignition system produces extremely high voltage. Do not touch the spark plugs or stick coils while the engine is running, or you could receive a severe electrical shock.

### CAUTION

Do not disconnect the battery leads or any other electrical connections when the ignition switch is on, or while the engine is running. This is to prevent IC igniter damage.

Do not install the battery backwards. The negative side is grounded. This is to prevent damage to the diodes and IC igniter.

### Pickup Coil Removal

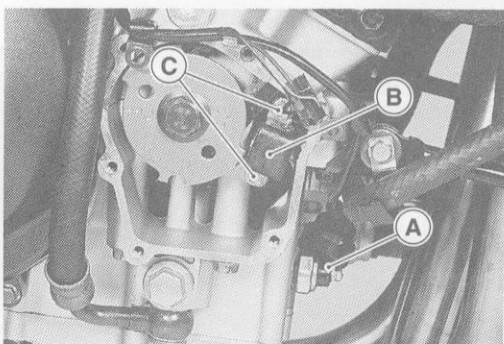
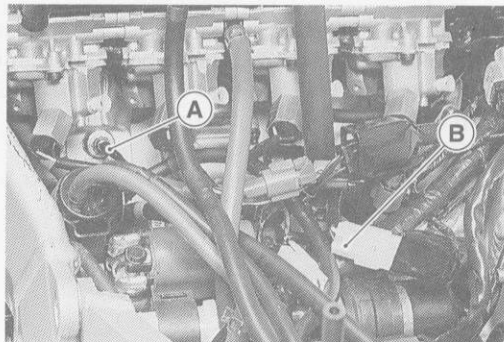
#### ● Remove:

- Fuel Tank (see Fuel System chapter)
- Right Lower Fairing (see Frame chapter)
- Water Temperature Sensor Connector [A]
- Pickup Coil Lead Connector [B]

Pickup Coil Cover

Oil Pressure Switch Terminal [A]

#### ● Remove the pickup coil [B] by taking off the pickup coil bolts [C].



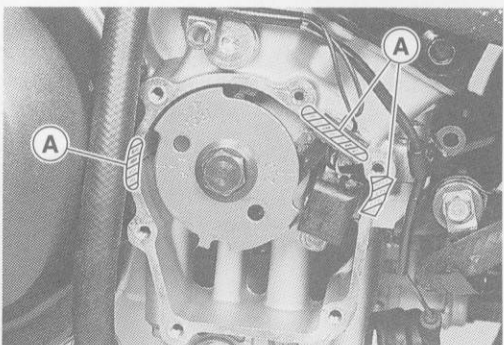
### Pickup Coil Installation

- Route the pickup coil lead correctly (see Cable, Wire, and Hose Routing in General/Information chapter).
- Install the pickup coil and tighten the pickup coil bolts.

**Torque – Pickup Coil Bolts: 5.9 N-m (0.60 kg-m, 52 in-lb)**

- Apply silicone sealant [A] to the pickup coil lead grommet and crankcase halves mating surface on the front and rear sides of the pickup coil cover mount.

**Sealant – Kawasaki Bond (Silicone Sealant): 56019-120**



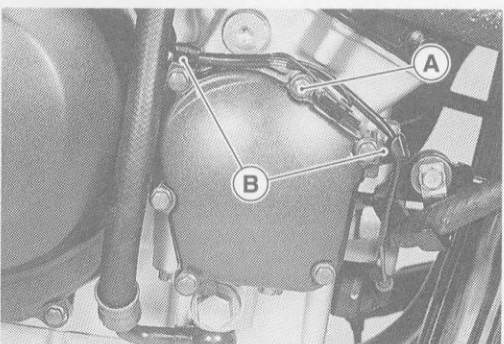
- Apply a non-permanent locking agent to the threads of the pickup coil cover bolt [A].
- Install the clamps [B] and tighten the pickup coil cover bolts.

**Torque – Pickup Coil Cover Bolts: 12 N-m (1.2 kg-m, 104 in-lb)**

- Install the water temperature sensor connector and oil pressure switch terminal.
- Tighten the terminal bolt.

**Torque – Oil Pressure Switch Terminal bolt: 1.5 N-m (0.15 kg-m, 13 in-lb)**

- Apply grease to the terminal.



**Pickup Coil Inspection**

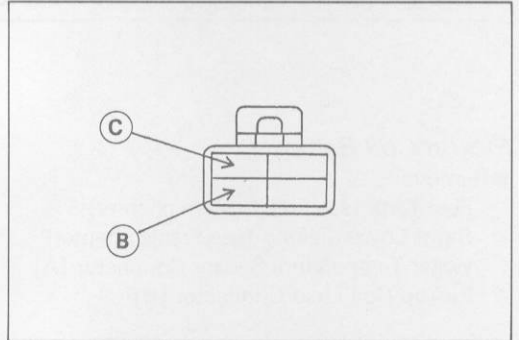
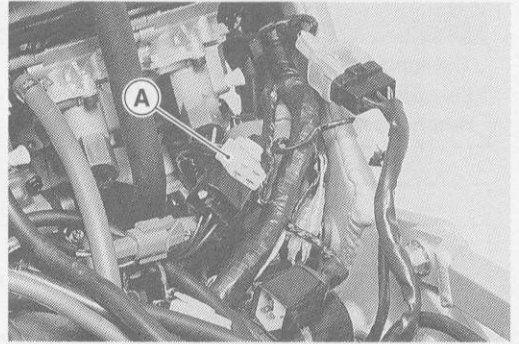
- Remove:
  - Fuel Tank (see Fuel System chapter)
  - Pickup Coil Lead Connector [A]
- Set the hand tester to the x 100 Ω range and connect it to the BK [B] and BK/Y [C] leads in the connector.

**Special Tool – Hand Tester: 57001-1394**

- ★ If there is more resistance than the specified value, the coil has an open lead and must be replaced. Much less than this resistance means the coil is shorted, and must be replaced.

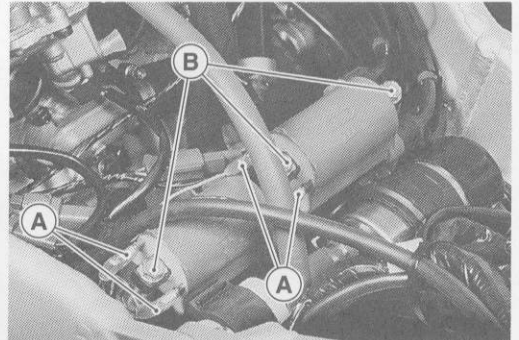
**Pickup Coil Resistance: 380 ~ 570 Ω**

- Using the highest resistance range of the tester, measure the resistance between the pickup coil leads and chassis ground.
- ★ Any tester reading less than infinity (∞) indicates a short, necessitating replacement of the pickup coil assembly.



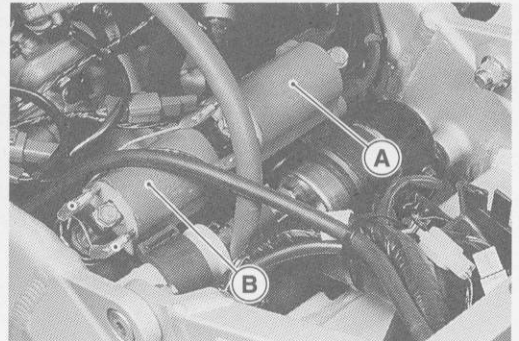
**Ignition Coil Removal**

- Remove the air cleaner housing (see Fuel System chapter).
- Pull the plug caps off the spark plugs.
- Disconnect the ignition coil primary lead connectors [A].
- Unscrew the mounting bolts [B] and remove the ignition coils.



**Ignition Coil Installation**

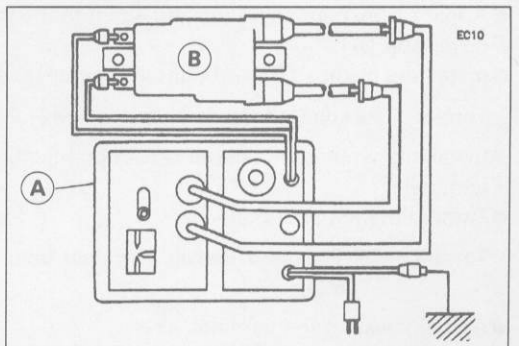
- Connect the primary winding leads to the ignition coil terminals.
  - Black Lead → to #1, #4 Coil [A]
  - Green Lead → to #2, #3 Coil [B]
  - Red Leads → to both Coils



**Ignition Coil Inspection**

- Remove the ignition coils (see Ignition Coil Removal).
- Measure the arcing distance with the suitable commercially available coil tester [A] to check the condition of the ignition coil [B].
- Connect the ignition coil (with the spark plug cap left attached at the end of the spark plug lead) to the tester in the manner prescribed by the manufacturer and measure the arcing distance.

**Ignition Coil Arcing Distance: 8 mm or more**



**⚠ WARNING**

**To avoid extremely high voltage shocks, do not touch the coil body or leads.**

- ★ If the distance reading is less than the specified value, the ignition coil or spark plug caps are defective.
- To determine which part is defective, measure the arcing distance again with the spark plug caps removed from the ignition coil. Remove the caps by turning them counterclockwise.
- ★ If the arcing distance is subnormal as before, the trouble is with the ignition coil itself. If the arcing distance is now normal, the trouble is with the spark plug caps.
- ★ If the coil tester is not available, the coil can be checked for a broken or badly shorted winding with the hand tester.

**NOTE**

- *The hand tester can not detect layer shorts and shorts resulting from insulation breakdown under high voltage.*
- Measure the primary winding resistance [A] as follows.
  - Connect the hand tester between the coil terminals.
  - Set the tester to the  $\times 1 \Omega$  range, and read the tester.
- Measure the secondary winding resistance [B] as follows.
  - Remove the plug caps by turning them counterclockwise.
  - Connect the tester between the spark plug leads.
  - Set the tester to the  $\times 1 \text{ k}\Omega$  range and read the tester.

**Ignition Coil Winding Resistance**

<b>Primary Windings:</b>	<b>2.6 ~ 3.2 <math>\Omega</math></b>
<b>Secondary Windings:</b>	<b>13.5 ~ 16.5 <math>\text{k}\Omega</math></b>

- ★ If the tester does not read as specified, replace the coil.
- To install the plug cap, turn it clockwise.

**Spark Plug Removal**

- Remove:
  - Air Cleaner Housing (see Fuel System chapter)
  - Vacuum Valve
  - Spark Plug Caps
- Remove the spark plugs using the 16 mm plug wrench.

**Owner's Tool – Spark Plug Wrench, 16 mm: 92110-1146**

**Spark Plug Installation**

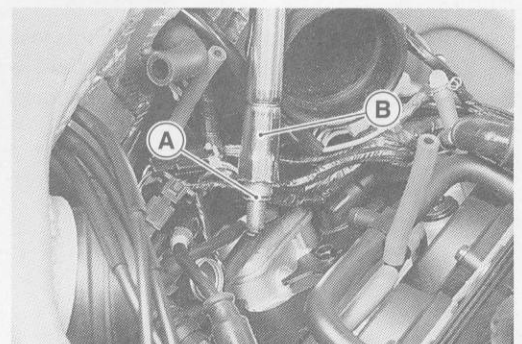
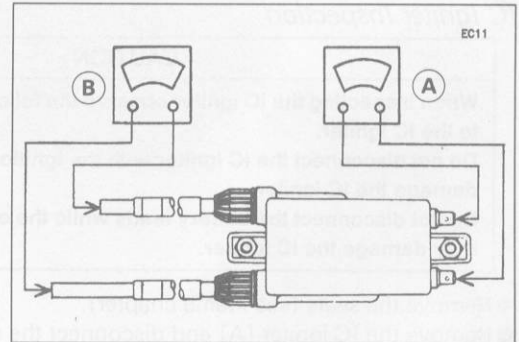
- Insert the spark plug vertically into the plug hole with the plug [A] installed in the plug wrench [B].

**Owner's Tool – Spark Plug Wrench, 16mm: 92110-1146**

- Tighten the plugs.

**Torque – Spark Plugs: 13 N-m (1.3 kg-m, 113 in-lb)**

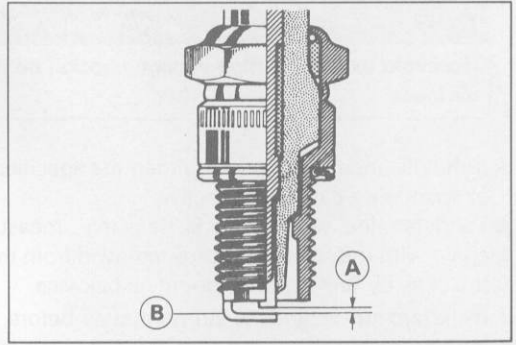
- Fit the plug caps securely.



## Spark Plug Gap Inspection

- Measure the gap [A] with a wire-type thickness gauge.
- ★ If the gaps are incorrect, carefully bend the side electrode [B] with a suitable tool to obtain the correct gaps.

**Spark Plug Gap : 0.7 ~ 0.8 mm**



## IC Igniter Inspection

### CAUTION

**When inspecting the IC igniter observe the following to avoid damage to the IC igniter.**  
**Do not disconnect the IC igniter with the ignition switch on. This may damage the IC igniter.**  
**Do not disconnect the battery leads while the engine is running. This may damage the IC igniter.**

- Remove the seats (see Frame chapter).
- Remove the IC igniter [A] and disconnect the connectors.
- To check the condition of the IC igniter, connect the igniter checker [A] to the IC igniter.
- Set the select switch at A position.

**Special Tools – Igniter Checker Assembly: 57001-1378**  
**Harness Adapter #13: 57001-1399**

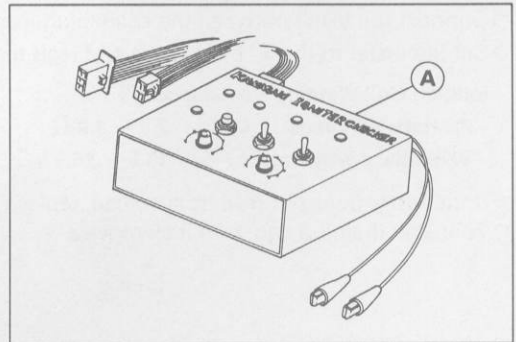
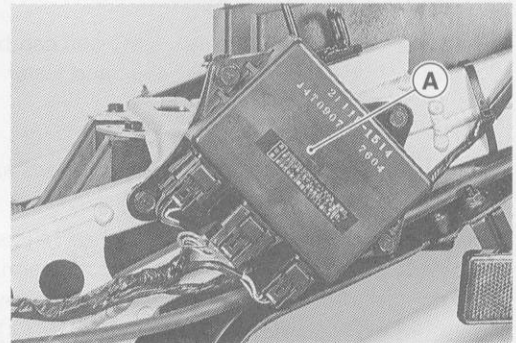
### NOTE

- When using the igniter checker, refer to the manufacturer's instructions.
- Using the igniter checker is a more reliable way to determine the condition of the IC igniter than igniter internal resistance measurements.
- The igniter checker can detect the simulated dynamic characteristics: igniter response to r.p.m., interlock circuit signal, tachometer signal and engine over speed limiter signal.
- The igniter checker cannot inspect the condition of the CDI unit.

- ★ If the igniter checker is not available, the IC igniter can be checked for a broken or badly shorted wiring with the hand tester.
- Set the hand tester to the x 1 kΩ range and make the measurements shown in the table.

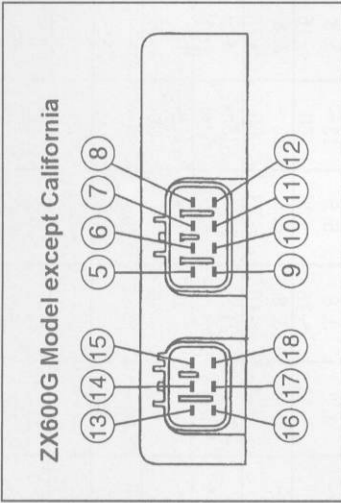
**Special Tool – Hand Tester: 57001-1394**

- ★ If the tester readings are not as specified, replace the IC igniter.



### CAUTION

**Use only Hand Tester 57001-1394 for this test. A tester other than the Kawasaki Hand Tester may show different readings.**  
**If a megger or a meter with a large-capacity battery is used, the IC igniter will be damaged.**



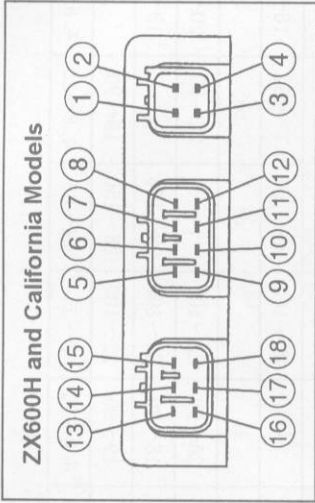
IC Igniter Internal Resistance (ZX600G Model except California)

Unit: kΩ

Terminal	Tester (+) Lead Connection																	
	5	6	7	8	9	10	11	12	13	14	15	16	17	18				
5	—	∞	1.4~7	9.5~40	1.4~7	1.4~7	20~100	1.4~7	5~22	4.8~20	15~70	5~22	5.5~24	2.8~12				
6	∞	—	∞	∞	∞	∞	∞	∞	∞	∞	∞	∞	∞	∞				
7	1.4~7	∞	—	8~35	0~0.6	0~0.6	19~90	3.2~14	3.8~16	6.5~28	13~60	3.8~16	4.2~18	1.2~6				
8	∞	∞	∞	—	∞	∞	∞	∞	∞	∞	∞	∞	∞	∞				
9	1.4~7	∞	0~0.6	8~35	—	0~0.6	19~90	3.2~14	3.8~16	6.5~28	13~60	3.8~16	4.2~18	1.2~6				
10	1.4~7	∞	0~0.6	8~35	0~0.6	—	19~90	3.2~14	3.8~16	6.5~28	13~60	3.8~16	4.2~18	1.2~6				
11	20~90	∞	19~80	28~150	19~80	19~80	—	22~100	24~150	28~150	35~200	24~150	24~150	19~80				
12	1.4~7	∞	3.2~14	12~60	3.2~14	3.2~14	22~100	—	7.5~35	7~30	17~80	7.5~35	8~35	4.8~20				
13	14~60	∞	11~50	20~100	11~50	11~50	35~200	16~70	—	20~100	28~150	18~80	18~35	11~50				
14	∞	∞	∞	∞	∞	∞	∞	∞	∞	—	∞	∞	∞	∞				
15	16~70	∞	14~60	22~100	14~60	14~60	35~200	18~80	20~90	22~100	—	20~90	20~90	14~60				
16	14~60	∞	11~50	20~100	11~50	11~50	35~200	16~70	18~80	22~100	28~150	—	19~80	11~50				
17	15~70	∞	13~60	22~100	13~60	13~60	35~200	17~80	19~90	22~100	28~150	19~90	—	12~60				
18	2.8~12	∞	1.2~6	6.5~28	1.2~6	1.2~6	19~90	4.8~20	4.8~20	8~35	14~60	4.8~20	4.8~20	—				

(-)\*

(-)\*: Tester (-) Lead Connection



IC Igniter Internal Resistance (ZX600H and California Models)

Unit: kΩ

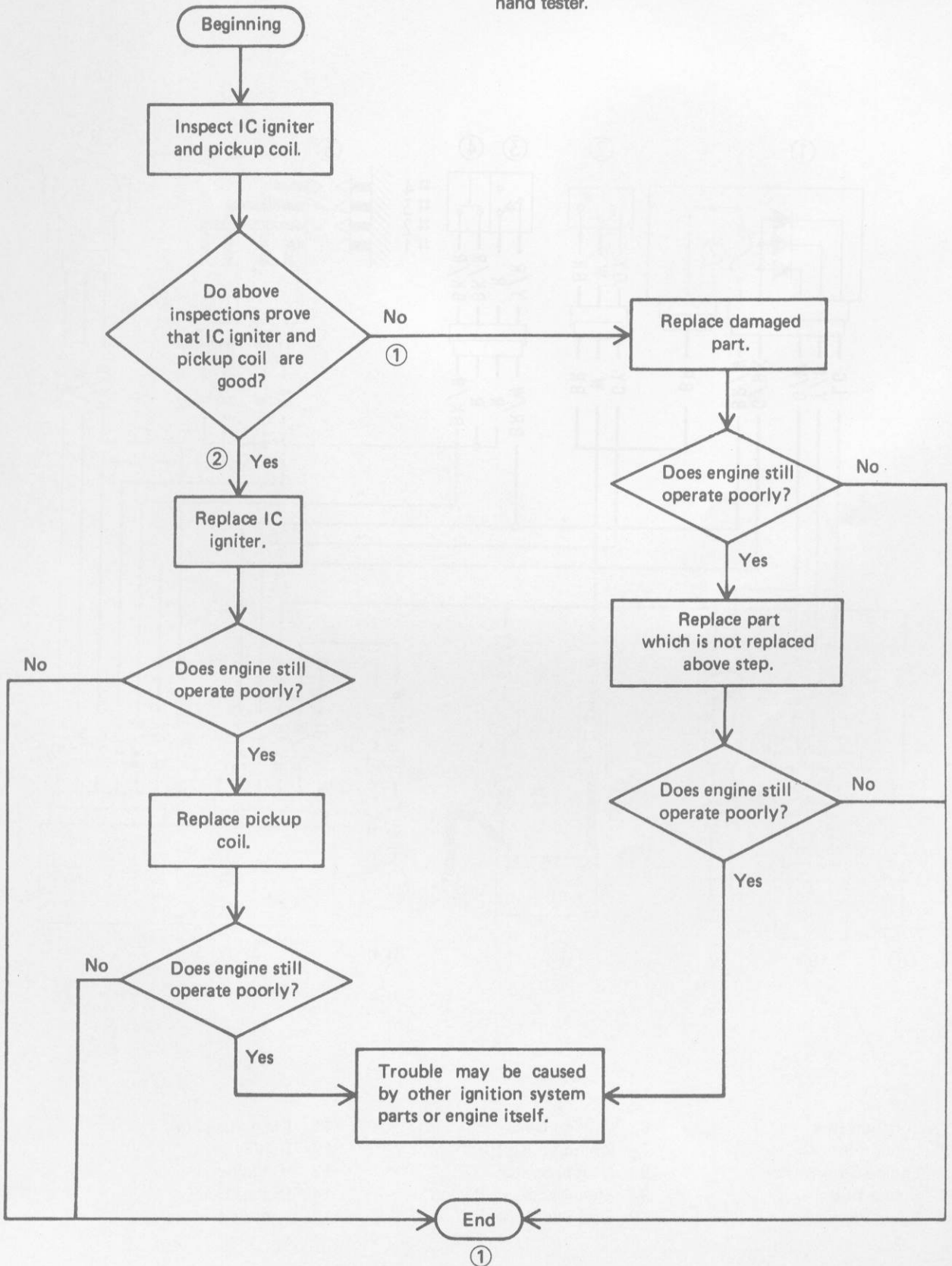
Terminal	Tester (+) Lead Connection																	
	1	2	3	4	5	6	7	8	9	10	11	12	13	14	15	16	17	18
1	-	∞	∞	∞	∞	∞	∞	∞	∞	∞	∞	∞	∞	∞	∞	∞	∞	∞
2	∞	-	∞	∞	∞	∞	∞	∞	∞	∞	∞	∞	∞	∞	∞	∞	∞	∞
3	∞	∞	-	∞	∞	∞	∞	∞	∞	∞	∞	∞	∞	∞	∞	∞	∞	∞
4	∞	∞	∞	-	∞	∞	∞	∞	∞	∞	∞	∞	∞	∞	∞	∞	∞	∞
5	5~22	5~22	5~22	5~22	-	∞	1.4~7	9.5~40	1.4~7	1.4~7	20~100	1.4~7	5~22	4.8~20	15~70	5~22	5.5~24	2.8~12
6	∞	∞	∞	∞	∞	-	∞	∞	∞	∞	∞	∞	∞	∞	∞	∞	∞	∞
7	3.4~15	3.4~15	3.4~15	3.4~15	1.4~7	∞	-	8~35	0~0.6	0~0.6	19~90	3.2~14	3.8~16	6.5~28	13~60	3.8~16	4.2~18	1.2~6
8	∞	∞	∞	∞	∞	∞	∞	-	∞	∞	∞	∞	∞	∞	∞	∞	∞	∞
9	3.4~15	3.4~15	3.4~15	3.4~15	1.4~7	∞	0~0.6	8~35	-	0~0.6	19~90	3.2~14	3.8~16	6.5~28	13~60	3.8~16	4.2~18	1.2~6
10	3.4~15	3.4~15	3.4~15	3.4~15	1.4~7	∞	0~0.6	8~35	0~0.6	-	19~90	3.2~14	3.8~16	6.5~28	13~60	3.8~16	4.2~18	1.2~6
11	24~150	24~150	24~150	24~150	20~90	∞	19~80	28~150	19~80	19~80	-	22~100	24~150	28~150	35~200	24~150	24~150	19~80
12	7.5~35	7.5~35	7.5~35	7.5~35	1.4~7	∞	3.2~14	12~60	3.2~14	3.2~14	22~100	-	7.5~35	7~30	17~80	7.5~35	8~35	4.8~20
13	80	80	80	80	60	∞	11~50	20~100	11~50	11~50	35~200	16~70	-	20~100	28~150	18~80	18~80	11~50
14	∞	∞	∞	∞	∞	∞	∞	∞	∞	∞	∞	∞	∞	∞	∞	∞	∞	∞
15	20~90	20~90	20~90	20~90	16~70	∞	14~60	22~100	14~60	14~60	35~200	18~80	20~90	22~100	-	20~90	20~90	14~60
16	80	80	80	80	60	∞	11~50	20~100	11~50	11~50	35~200	16~70	18~80	20~100	28~150	-	18~80	11~50
17	19~80	19~80	19~80	19~80	15~70	∞	13~60	22~100	13~60	13~60	35~200	17~80	19~80	22~100	28~150	19~80	-	12~60
18	4.8~20	4.8~20	4.8~20	4.8~20	2.8~12	∞	1.2~6	6.5~28	1.2~6	1.2~6	19~90	4.8~20	4.8~20	8~35	14~60	4.8~20	4.8~20	-

(-)\*

(-)\*: Tester (-) Lead Connection

## IC Igniter Troubleshooting

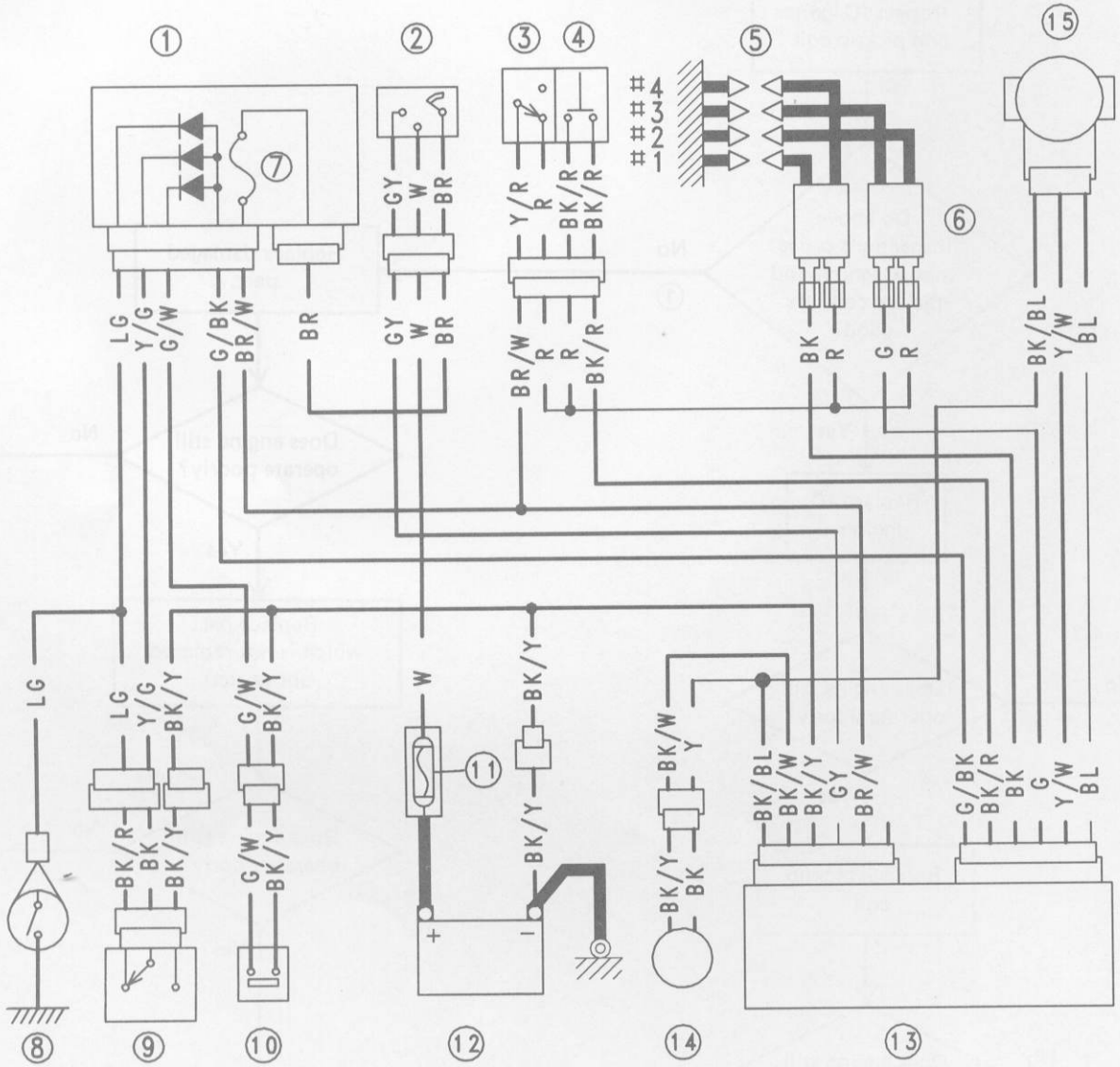
- 1) IC igniter or pickup coil damaged
- 2) Even if the preceding checks show good, it may be defective in some manner not readily detectable with the hand tester.





Ignition System Circuit

ECI116



- 1. Junction Box
- 2. Ignition Switch
- 3. Engine Stop Switch
- 4. Starter Button
- 5. Spark Plugs

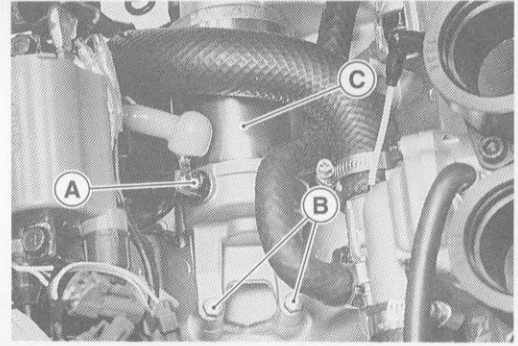
- 6. Ignition Coils
- 7. Ignition Fuse 10A
- 8. Neutral Switch
- 9. Starter Lockout Switch
- 10. Side Stand Switch

- 11. Main Fuse 30A
- 12. Battery
- 13. IC Igniter
- 14. Pickup Coil
- 15. Throttle Sensor

## Electric Starter System

### Starter Motor Removal

- Remove the fuel tank (see Fuel System chapter).
- Slide back the rubber cap.
- Remove the starter motor terminal bolt [A] and the mounting bolts [B].
- Pull out the starter motor [C].

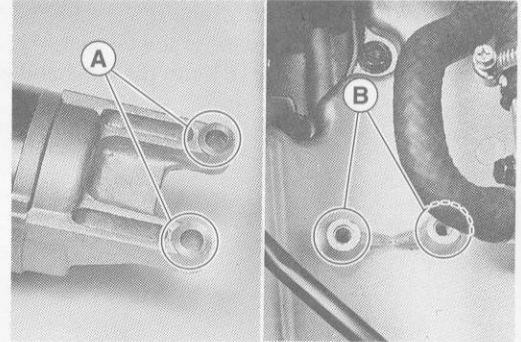


### Starter Motor Installation

#### CAUTION

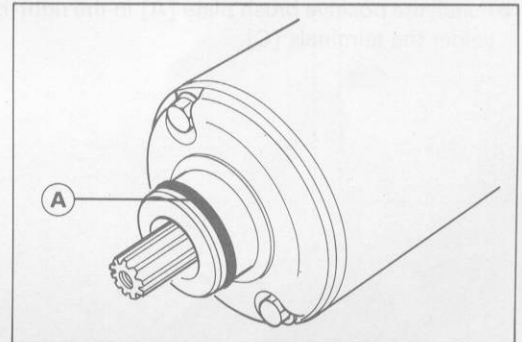
Do not tap the starter motor shaft or body. Tapping the shaft or body could damage the motor.

- When installing the starter motor, clean the starter motor legs [A] and crankcase [B] where the starter motor is grounded.



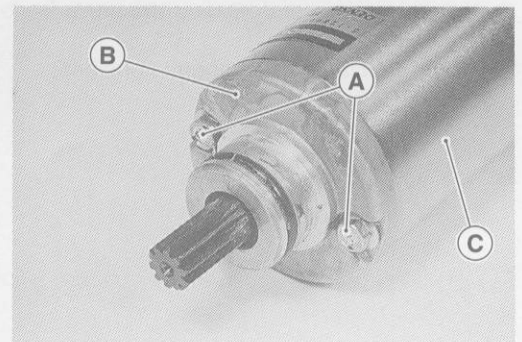
- Apply grease to the O-ring [A].
- Install the starter motor and tighten the mounting bolts.

**Torque – Starter Motor Mounting Bolts: 11 N-m (1.1 kg-m, 95 in-lb)**

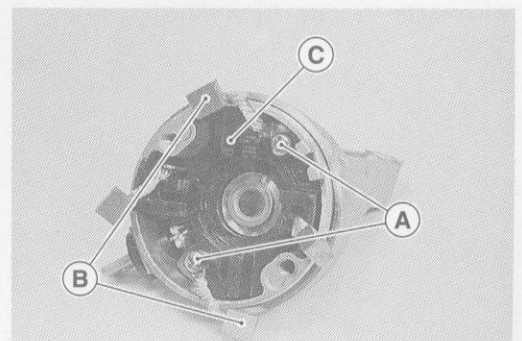


### Starter Motor Disassembly

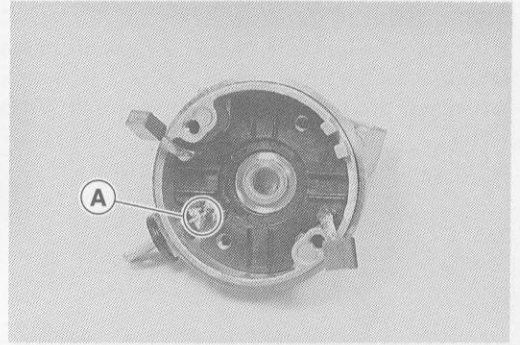
- Take off the starter motor through bolts [A] and remove both end covers [B] and pull the armature out of the yoke [C].



- Remove:
  - Brush Springs
  - Brush Holder Plate Screws [A]
  - Negative Brushes [B]
  - Brush Holder Plate [C]

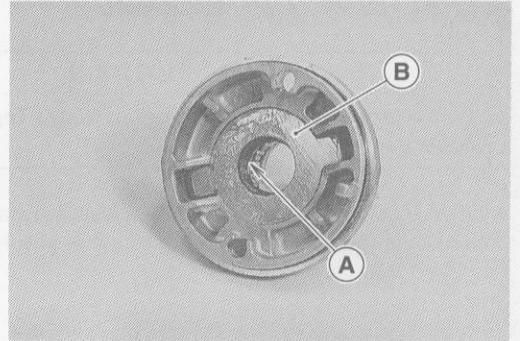


- Unsolder the terminal [A] on the positive brush plate and remove it.

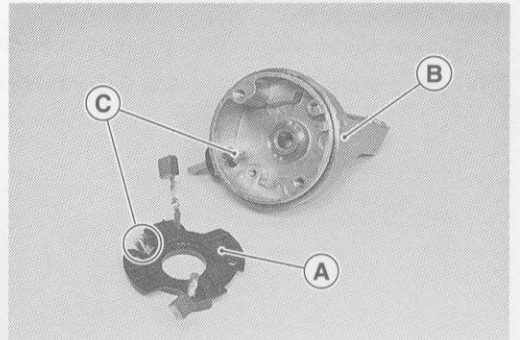


## Starter Motor Assembly

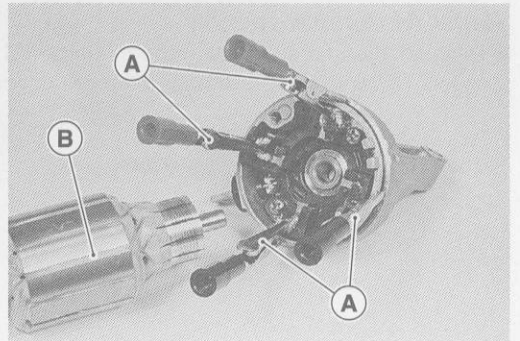
- Apply a thin coat of grease to the oil seal [A].
- Fit the toothed washer [B] into the left-hand end cover.



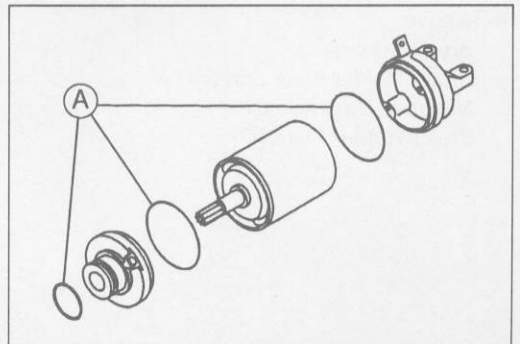
- Install the positive brush plate [A] in the right-hand end cover [B] and solder the terminals [C].



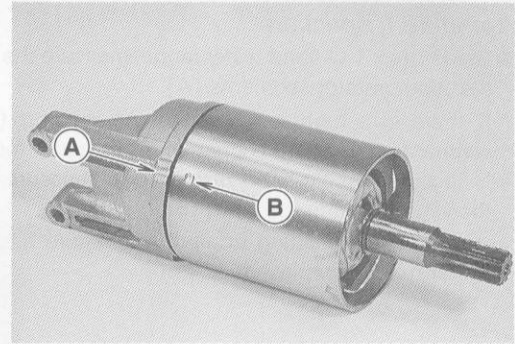
- Press the springs and holding the brush leads with suitable clips [A] as shown.
- Put the armature [B] among the brushes.



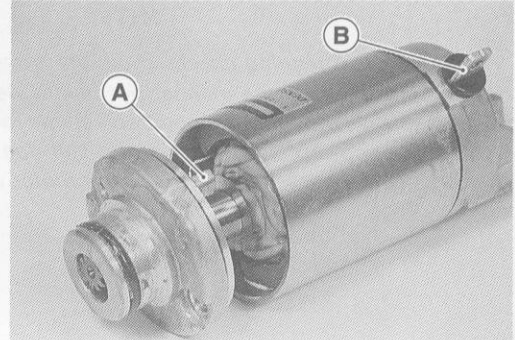
- Install the O-rings [A] as shown.



- Align the groove [A] in the right-hand end cover and the mark [B] on the yoke.



- Align the tongue [A] on the left-hand end cover and the terminal [B] on the right-hand end cover.

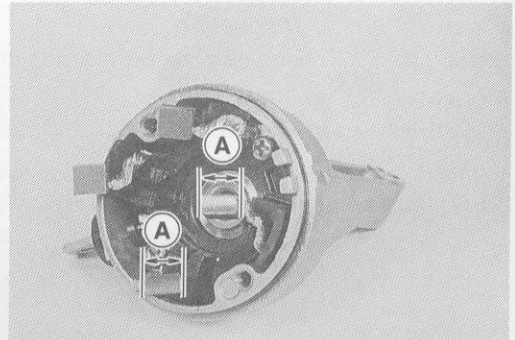


### Brush Inspection

- Measure the length [A] of each brush.
- ★ If any is worn down to the service limit, replace the carbon brushes.

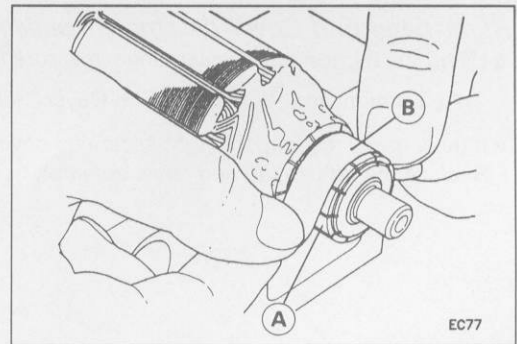
#### Starter Motor Brush Length

Standard:	7 mm
Service Limit:	3.5 mm



### Commutator Cleaning and Inspection

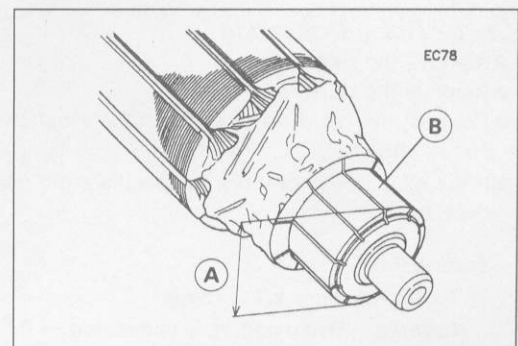
- Smooth the commutator surface [A] if necessary with fine emery cloth [B], and clean out the grooves.



- Measure the diameter [A] of the commutator [B].
- ★ Replace the starter motor with a new one if the commutator diameter is less than the service limit.

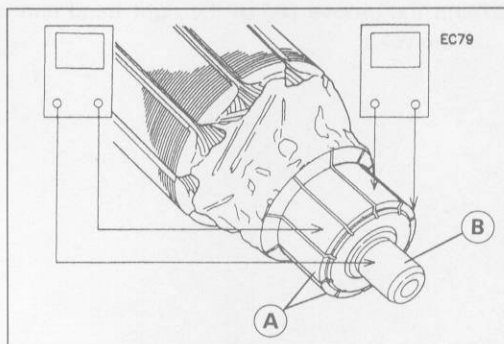
#### Commutator Diameter

Standard:	24 mm
Service Limit:	23 mm



**Armature Inspection**

- Using the x 1  $\Omega$  hand tester range, measure the resistance between any two commutator segments [A].
- ★ If there is a high resistance or no reading ( $\infty$ ) between any two segments, a winding is open and the starter motor must be replaced.
- Using the highest hand tester range, measure the resistance between the segments and the shaft [B].
- ★ If there is any reading at all, the armature has a short and the starter motor must be replaced.

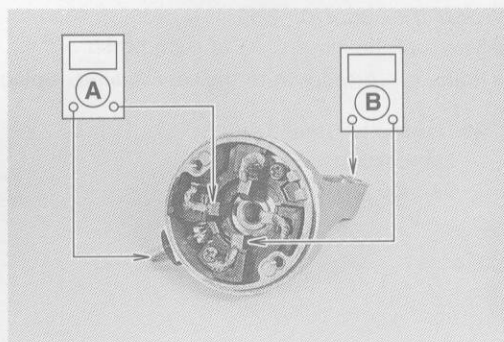


**NOTE**

○ Even if the foregoing checks show the armature to be good, it may be defective in some manner not readily detectable with the hand tester. If all other starter motor and starter motor circuit components check good, but the starter motor still does not turn over or only turns over weakly, replace the starter motor with a new one.

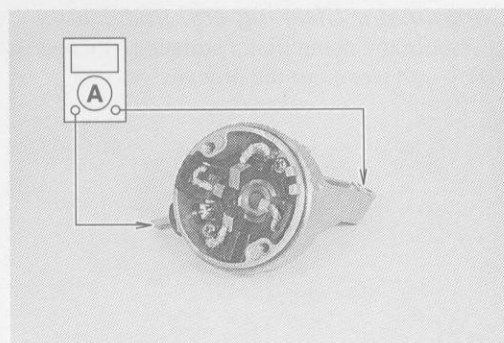
**Brush Assembly Inspection**

- Using the x 1  $\Omega$  hand tester range, measure the resistance as shown.
  - [A] Terminal and Positive Brush
  - [B] Right-hand End Cover and Negative Brush
- ★ If there is not close to zero ohms, the brush lead has an open. Replace the positive brush assembly and/or the negative brush subassembly.



**Right-hand End Cover Assembly Inspection**

- Using the highest hand tester range, measure the resistance as shown.
  - [A] Terminal and Right-hand End Cover
- ★ If there is any reading, the right-hand end cover assembly have a short. Replace the right-hand end cover assembly.



**Starter Relay Inspection**

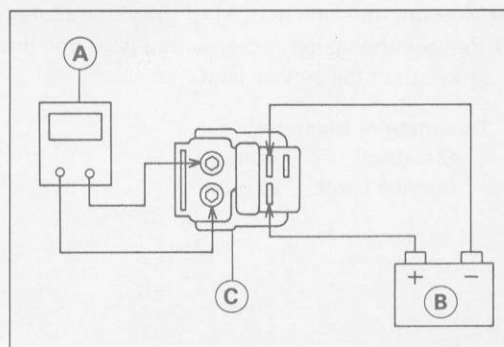
- Remove the seats.
- Remove the starter relay.
- Connect the hand tester [A] and 12 V battery [B] to the starter relay [C] as shown.
- ★ If the relay does not work as specified, the relay is defective. Replace the relay.

**Testing Relay**

**Tester Range:** x 1  $\Omega$  range

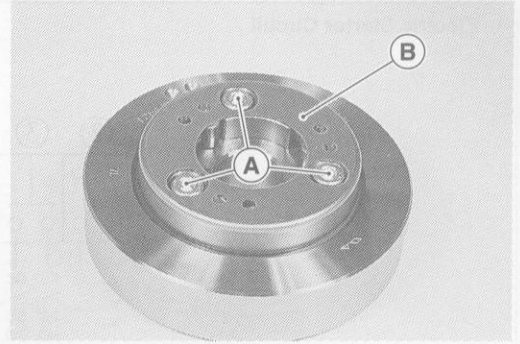
**Criteria:** When battery is connected  $\rightarrow 0 \Omega$

When battery is disconnected  $\rightarrow \infty \Omega$



### Starter Motor Clutch Removal

- Remove:
  - Alternator Rotor (see Alternator Rotor Removal)
  - Starter Motor Clutch Bolts [A] and Starter Motor Clutch [B]



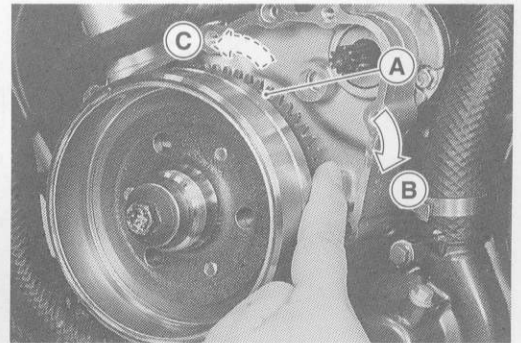
### Starter Motor Clutch Installation

- Apply a non-permanent locking agent to the threads of the starter motor clutch bolts and tighten them.

**Torque – Starter Motor Clutch Bolts: 34 N-m (3.5 kg-m, 25 ft-lb)**

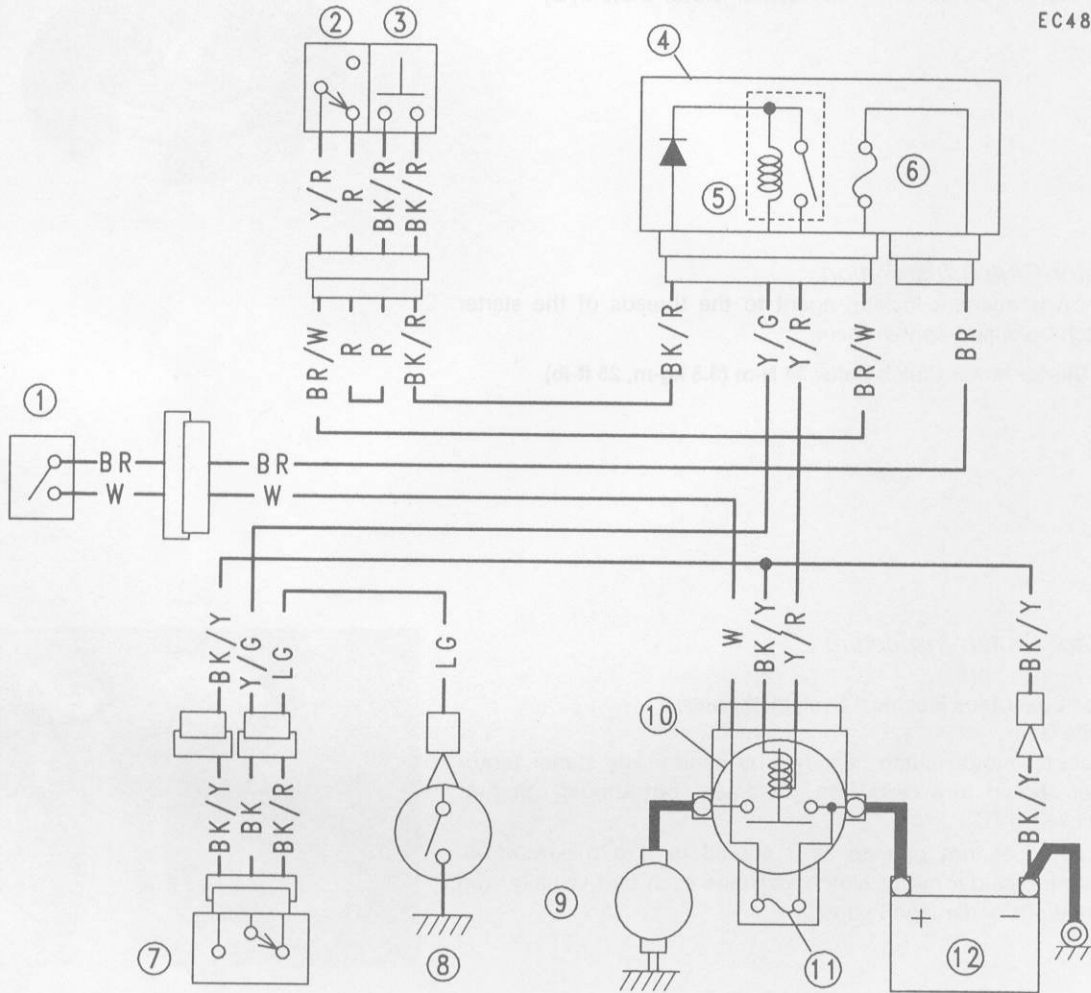
### Starter Motor Clutch Inspection

- Remove:
  - Alternator Cover (see Electrical System chapter)
  - Starter Idle Gear
- Turn the starter motor clutch gear [A] by hand. The starter motor clutch gear should turn clockwise [B] freely, but should not turn counterclockwise [C].
- ★ If the clutch does not operate as it should or if it makes noise, disassemble the starter motor clutch, examine each part visually, and replace any worn or damaged parts.



Electric Starter Circuit

EC48



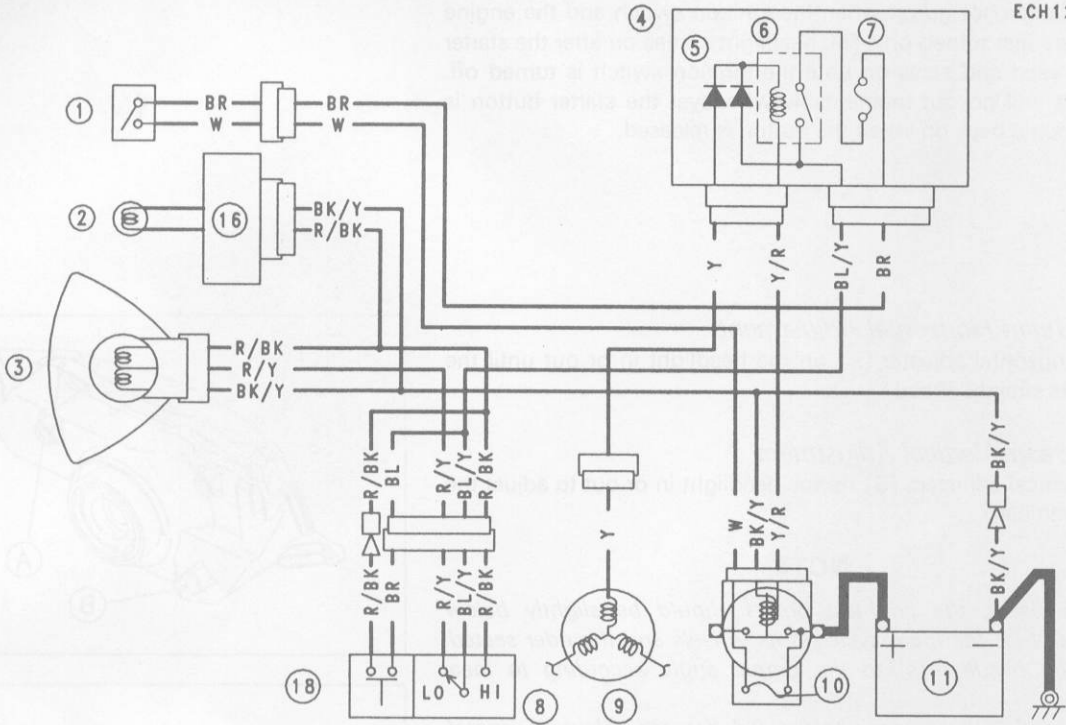
- 1. Ignition Switch
- 2. Engine Stop Switch
- 3. Starter Button
- 4. Junction Box

- 5. Starter Circuit Relay
- 6. Ignition Fuse 10A
- 7. Starter Lockout Switch
- 8. Neutral Switch

- 9. Starter Motor
- 10. Starter Relay
- 11. Main Fuse 30A
- 12. Battery

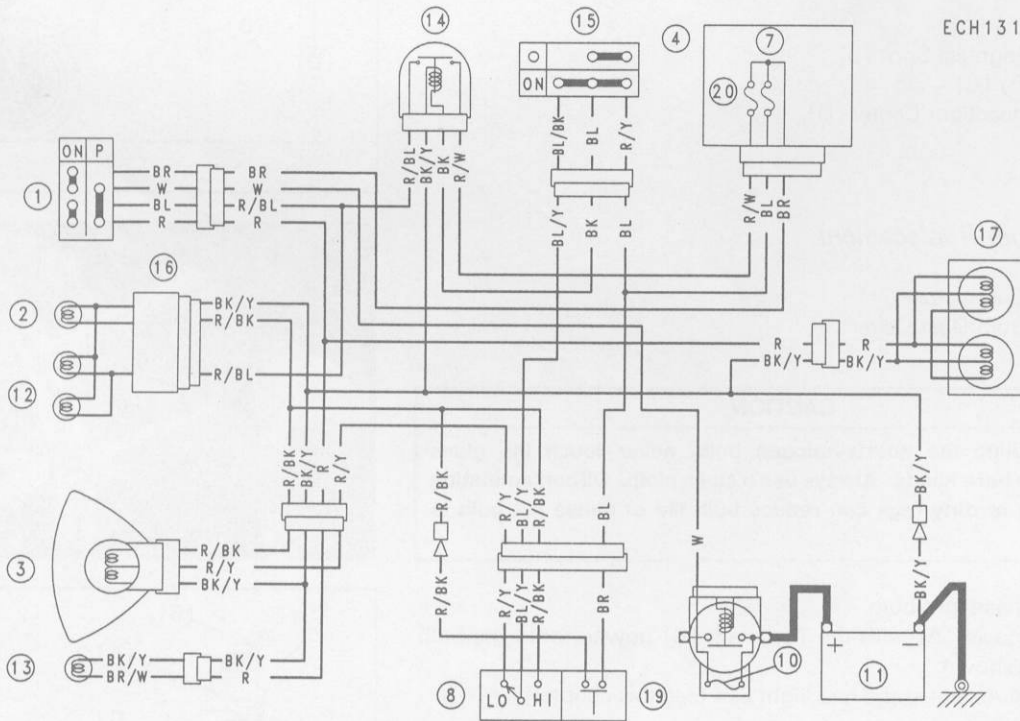
Headlight Circuit (U.S., Canada, Malaysia, and Australia)

ECH129



Headlight Circuit (Other than U.S., Canada, Malaysia, and Australia)

ECH131



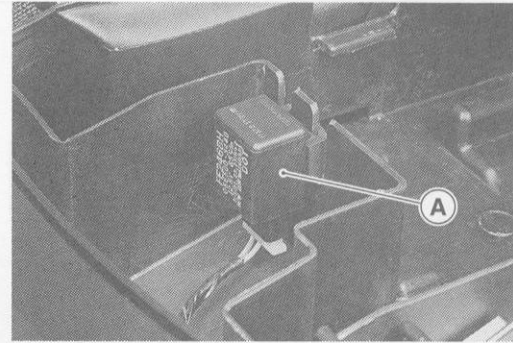
- |                              |                            |                      |                         |
|------------------------------|----------------------------|----------------------|-------------------------|
| 1. Ignition Switch           | 6. Headlight Circuit Relay | 11. Battery          | 16. Meter Assembly      |
| 2. High Beam Indicator Light | 7. Headlight Fuse 10A      | 12. Meter Lights     | 17. Tail Lights         |
| 3. Headlight                 | 8. Dimmer Switch           | 13. City Light       | 18. Passing Button (AS) |
| 4. Junction Box              | 9. Alternator              | 14. Tail Light Relay | 19. Passing Button      |
| 5. Diodes                    | 10. Main Fuse 30A          | 15. Headlight Switch | 20. Tail Light Fuse 10A |



**Turn Signal Relay Inspection**

## ● Remove:

- Seats (see Frame chapter)
- Turn Signal Relay [A]



- Connect one 12 V battery and turn signal lights as indicated in the figure, and count how many times the lights flash for one minute.

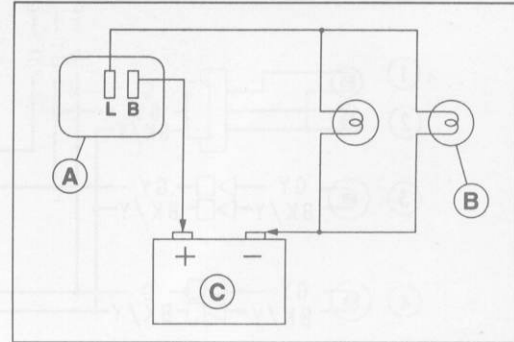
- Turn Signal Relay [A]
- Turn Signal Lights [B]
- 12 V Battery [C]

★ If the lights do not flash as specified, replace the turn signal relay.

**Testing Turn Signal Relay**

Load		Flashing times (c/m*)
The Number of Turn Signal Lights	Wattage(W)	
1	21	Light stays on
2	42	75 - 95

(\*): Cycle(s) per minute

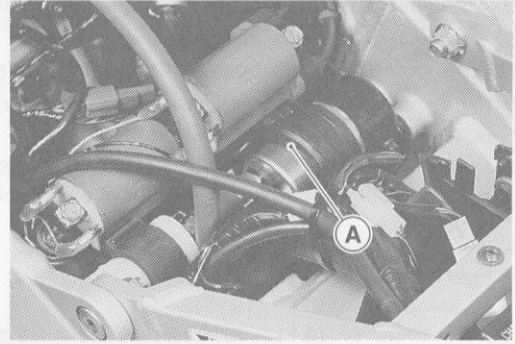


## Fuel Pump

- The fuel pump [A] operates when the starter button is pushed on or the engine is running.
- When fuel level in the float chamber is low, the fuel pump operates to supply fuel into the float chamber. When the fuel reaches a certain level, the fuel pressure rises, and the fuel pump stops.

### Removal/Installation

- Refer to Fuel System chapter.

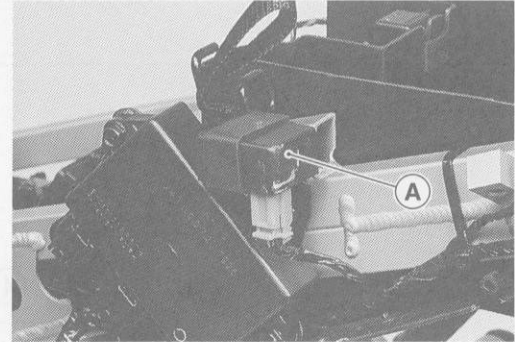


### Fuel Pump Relay Inspection

- Remove the seats (see Frame chapter).
- Take off the fuel pump relay [A].
- Set the hand tester to the x 1 kΩ range and make the measurements shown in the table.

**Special Tool – Hand Tester: 57001-1394**

- ★ If the tester readings are not as specified, replace the fuel pump relay.
- ★ If the tester readings are normal, check the fuel pump operation.



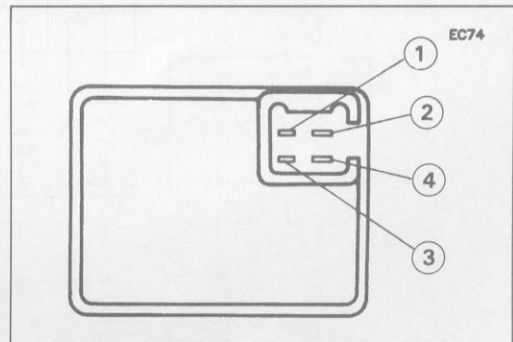
#### CAUTION

**Use only Hand Tester 57001-1394 for this test. An ohmmeter other than the Kawasaki Hand Tester may show different readings. If a megger or a meter with a large-capacity battery is used, the pump relay will be damaged.**

#### Fuel Pump Relay Internal Resistance

Range	Tester (+) Lead Connection			
	1	2	3	4
* x 1 kΩ				
(-)	1	–	∞	∞
	2	∞	–	∞
	3	∞	10 ~ 100	–
	4	∞	20 ~ 200	1 ~ 5

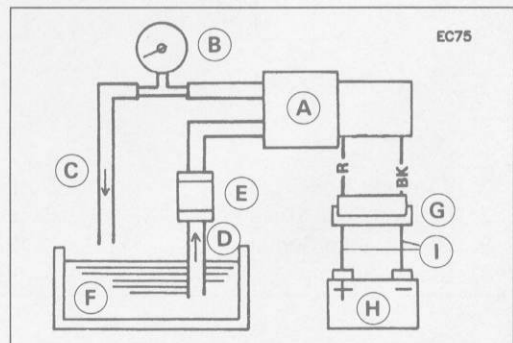
(-)\* : Tester (-) Lead Connection



### Fuel Pump Operational Inspection

- Remove the fuel pump with the fuel filter (see Fuel System chapter).
- Prepare a container filled with kerosene.
- Prepare the rubber hoses, and connect them to the pump fittings.
- Connect a suitable pressure gauge to the outlet hose as shown.

- |                    |                     |
|--------------------|---------------------|
| Fuel Pump [A]      | Kerosene [F]        |
| Pressure Gauge [B] | 2-Pin Connector [G] |
| Outlet Hose [C]    | Battery [H]         |
| Inlet Hose [D]     | Auxiliary Leads [I] |
| Fuel Filter [E]    |                     |

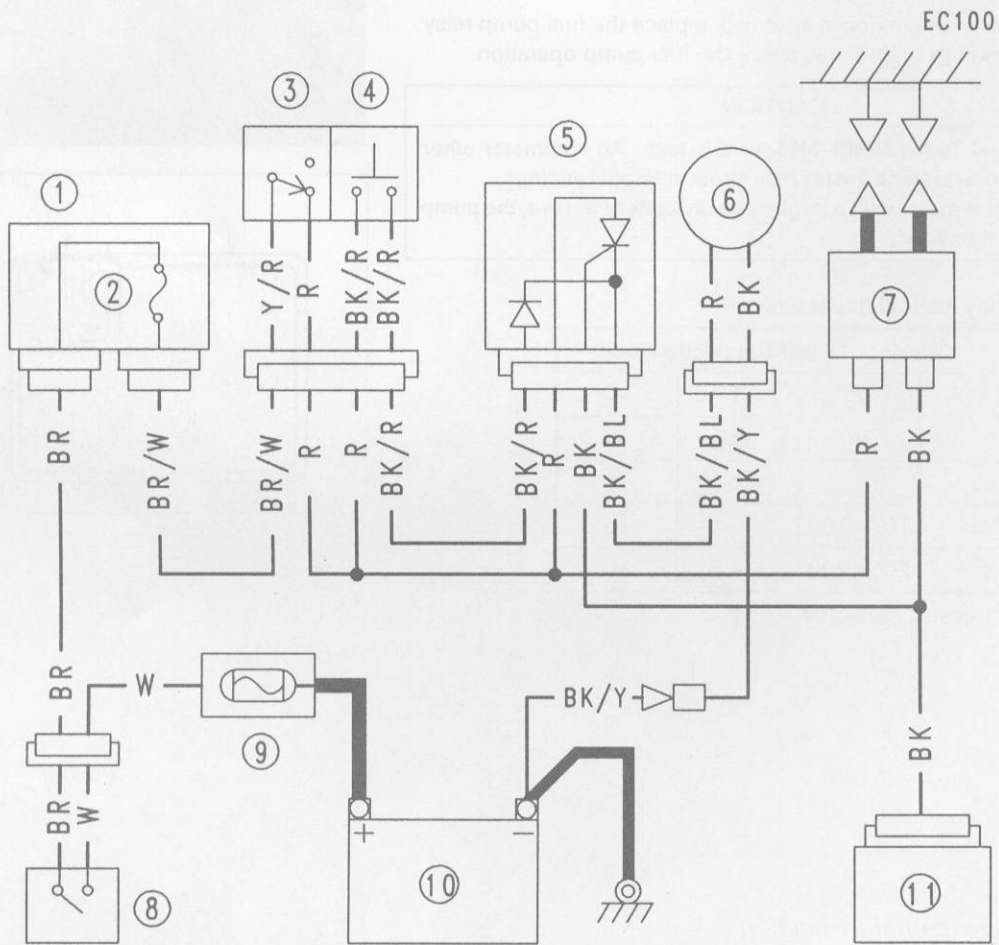


- Connect the pump leads to the battery using auxiliary wires as shown.
- ★ If the pump operates, check the pump relay.
- ★ If the pump does not operate, the pump is defective.
- ★ If the pump operates and the pump relay is normal, close the outlet hose while operating the fuel pump.
- When the pump stops, read the pressure gauge.
- ★ If the pressure gauge reading is out of the specified pressure, the pump is defective.

### Fuel Pump Pressure

Standard : 11 ~ 16 kPa  
 (0.11 ~ 0.16 kg/cm<sup>2</sup>, 1.6 ~ 2.3 psi)

### Fuel Pump Circuit



1. Junction Box
2. Ignition Fuse 10A
3. Engine Stop Switch
4. Starter Button

5. Fuel Pump Relay
6. Fuel Pump
7. Ignition Coil
8. Ignition Switch

9. Main Fuse 30A
10. Battery
11. IC Igniter

## Fuel Cut Valve (California and ZX600-H Models)

The fuel cut valves [A] are adopted for protection of the catalytic converter.

### Fuel Cut Valve Removal

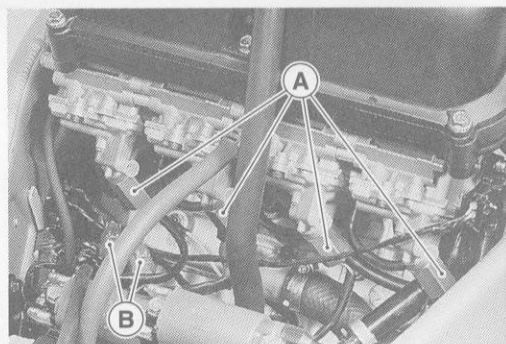
#### ⚠ WARNING

Gasoline is extremely flammable and can be explosive under certain conditions. Turn the ignition switch OFF. Do not smoke. Make sure the area is well-ventilated and free from any source of flame or sparks; this includes any appliance with a pilot light.

- Connect a suitable hose to the fitting at the bottom of each carburetor float bowl.
- Run the lower ends of the hoses into a suitable container.
- Turn out each drain plug a few turns and drain the float bowls.

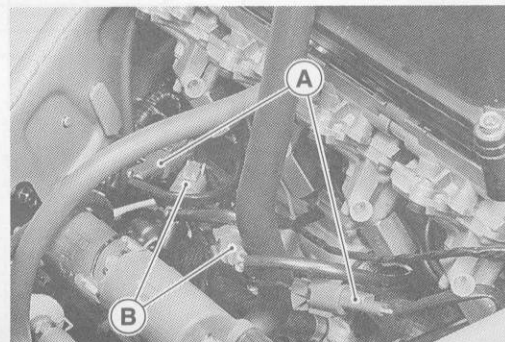
#### Special Tool – Carburetor Drain Plug Wrench, Hex 3: 57001-1269

- Disconnect the connectors [B] of the fuel cut valve.
- Loosen the fuel cut valves and remove them.



### Fuel Cut Valve Installation

- Install the fuel cut valves with the gray connectors [A] on the #1, #4 carburetors.
- Install the fuel cut valves with the brown connectors [B] on the #2, #3 carburetors.
- Do not install the fuel cut valves on the wrong carburetors. The fuel cut valves will not work well.



### Fuel Cut Valve Inspection

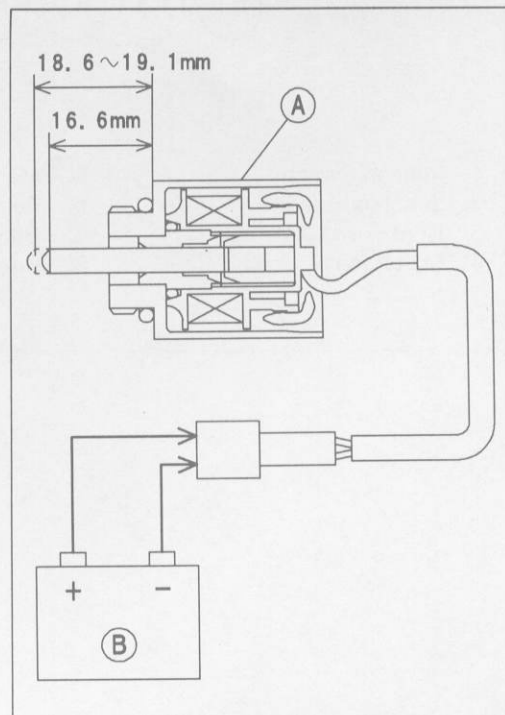
- Remove the fuel cut valve [A].
- Connect and disconnect one 12 V battery [B] to the fuel cut valve connector as shown. The valve rod moves.
- ★ If the protrusion exceeds the standard (too long on too short), the valve is defective and must be replaced.

#### Testing Fuel Cut Valve

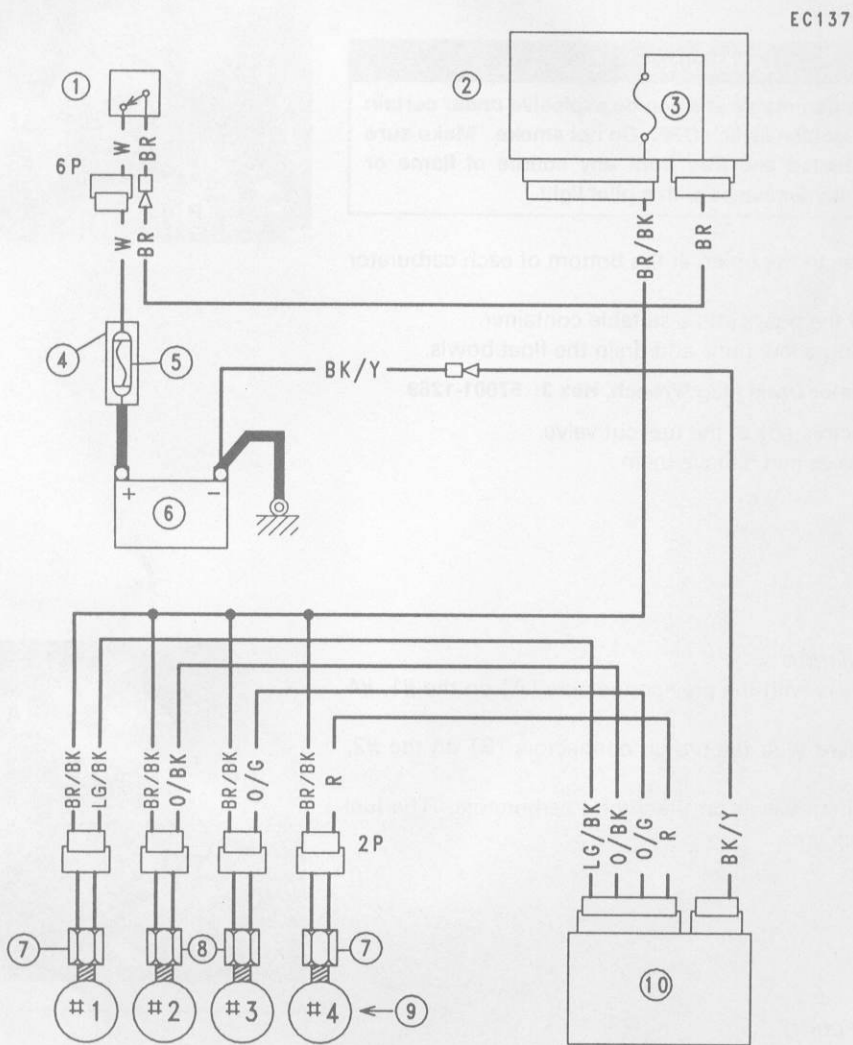
##### Standard Protrusion:

When battery is disconnected → 16.6 mm

When battery is connected → 18.6 ~ 19.1 mm



Fuel Cut Valve Circuit:



- 1. Ignition Switch
- 2. Junction Box
- 3. Horn Fuse 10A
- 4. Starter Relay

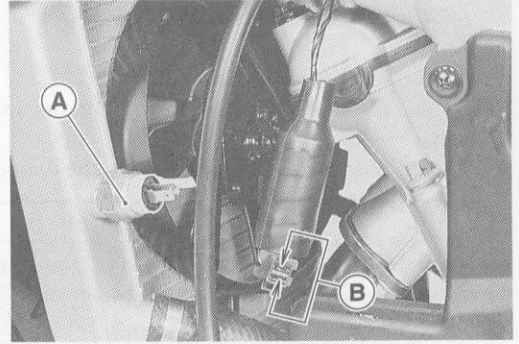
- 5. Main Fuse 30A
- 6. Battery
- 7. Gray Connector
- 8. Brown Connector

- 9. Fuel Cut Valve
- 10. IC Igniter

## Radiator Fan System

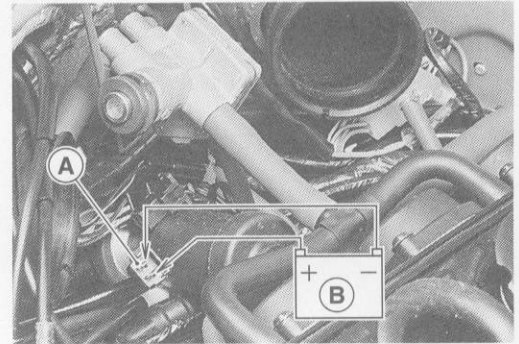
### Fan System Circuit Inspection

- Disconnect the leads from the radiator fan switch [A].
- Using an auxiliary wire [B], connect the radiator fan switch leads.
- ★ If the fan rotates, inspect the fan switch.
- ★ If the fan does not rotate, inspect the following.
  - Leads and Connectors
  - Main Fuse and Fan Fuse
  - Fan Motor



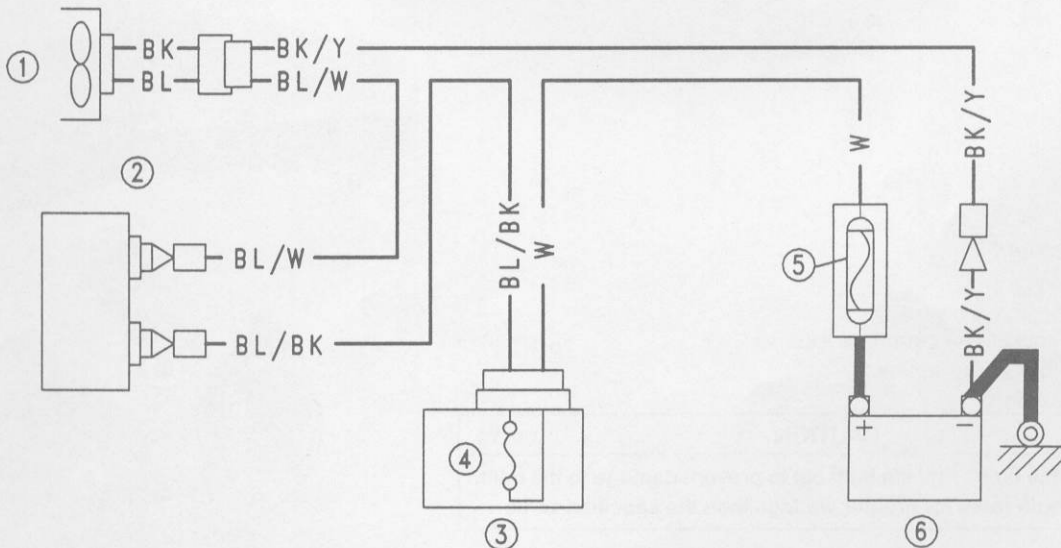
### Fan Motor Inspection

- Remove the air cleaner housing (see Fuel System chapter).
- Disconnect the 2-pin connector [A] in the fan motor leads.
- Using two auxiliary wires, supply battery [B] power to the fan motor.
- ★ If the fan does not rotate, the fan motor is defective and must be replaced.



### Radiator Fan Circuit

ECH20



1. Radiator Fan
2. Radiator Fan Switch

3. Junction Box
4. Fan Fuse 10A

5. Main Fuse 30A
6. Battery

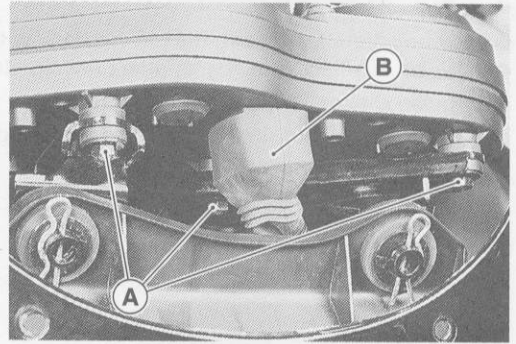
## Meter

### Meter Unit Removal

- Remove:
  - Wind Sealed (see Frame chapter)
- Remove the meter unit by taking off the mounting nuts [A] with washer.
- Slide the dust cover [B] and remove the wiring connector.

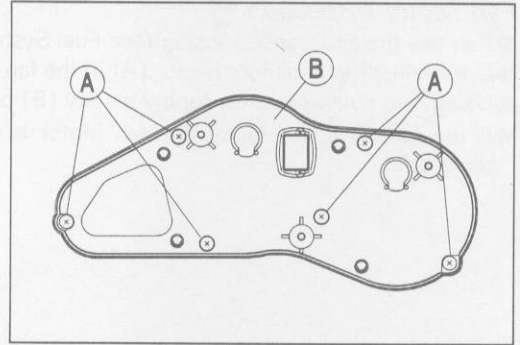
#### CAUTION

Place the meter or gauge so that the face is up. If a meter or gauge is left upside down or sideways for any length of time, it will malfunction.

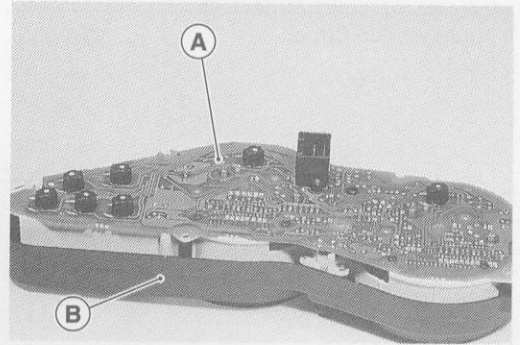


### Meter, Gauge Disassembly

- Remove:
  - Meter Unit (see Meters, Gauge Removal)
  - Screws [A]
  - Lower Meter Cover [B]



- Separate the meter assembly [A] and upper meter cover [B].

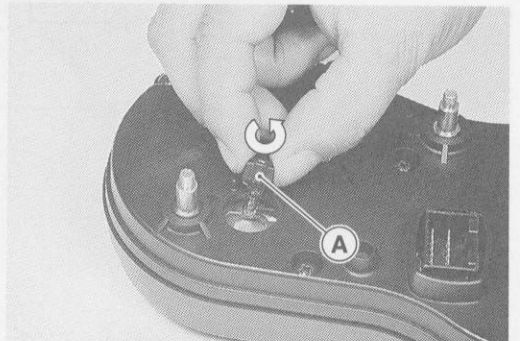


### Bulb Replacement

- Remove:
  - Meter Unit
- Turn out the socket [A] counterclockwise.
- Pull the bulb out of the socket.

#### CAUTION

Do not turn the bulb. Pull the bulb out to prevent damage to the bulb. Do not use bulb rated for greater wattage than the specified value.



*Electronic Combination Meter Unit Inspection*

- Remove the meter unit.

**CAUTION**

**Do not drop the meter unit. Place the meter unit so that it faces upward. If the meter unit is left upside down or sideways for a long time or dropped, it will malfunction.**

- Using the auxiliary wires, connect the 12 V battery [A] to the meter unit connector [B] as follows.

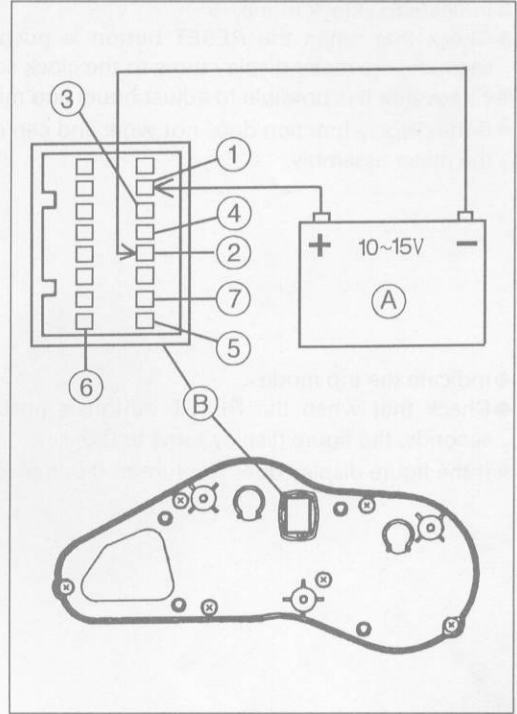
- Connect the battery positive terminal to the terminal [1].

- Connect the battery negative terminal to the terminal [2].

- |                                  |                        |
|----------------------------------|------------------------|
| [1] Battery (Positive)           | [5] Speed Sensor Pulse |
| [2] Ground (Negative)            | [6] Tachometer Pulse   |
| [3] Ignition                     | [7] Water Temperature  |
| [4] Speed Sensor Electric Source |                        |

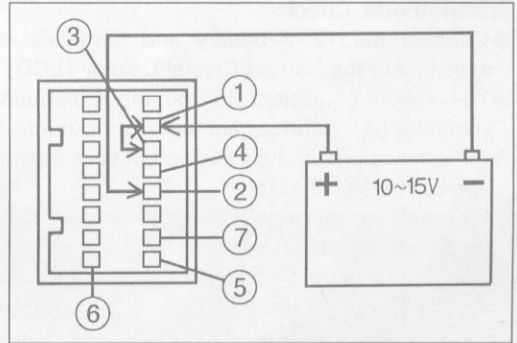
**CAUTION**

**Do not short the terminals [2], [4] and [4], [5].**



**Liquid Crystal Display (LCD) Segments Check:**

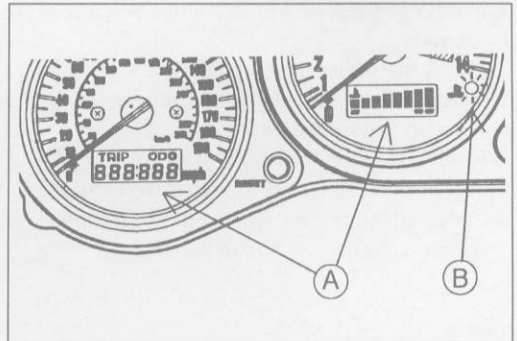
- Connect the battery positive terminal to the terminal [1].
- Connect the battery negative terminal to the terminal [2].
- Connect the terminal [1] to the terminal [3].



- When the terminals are connected, all the LCD segments [A] and LED warning light [B] appear for three seconds.

- When the terminals are disconnected within three seconds, all the LCD segments and LED warning light disappear.

- ★ If the LCD segments and LED warning light will not appear, replace the meter assembly.



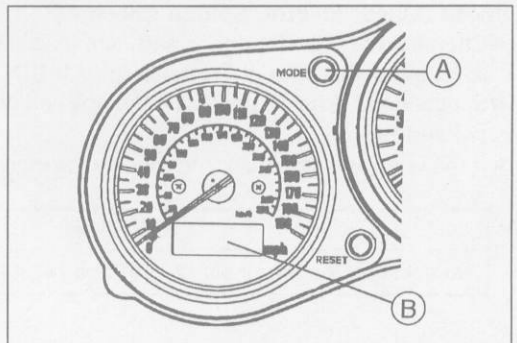
**Mode/Reset Switch Operate Confirmation:**

- Connect the 12 V battery and terminals in the same manner as specified in the "Liquid Crystal Display (LCD) Segments Check".

- Check that when the MODE button [A] is pushed and held continuously, the display [B] rotates through the three modes.

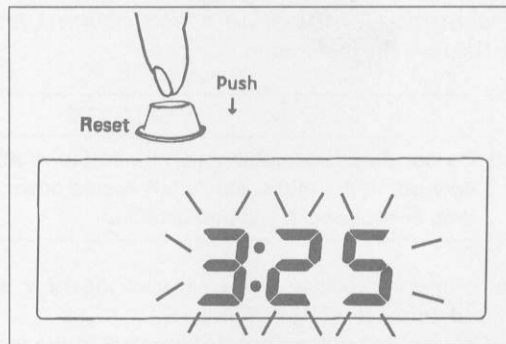
**ODO → TRIP → CLOCK → ODO**

- ★ If the display function does not work, replace the meter assembly.

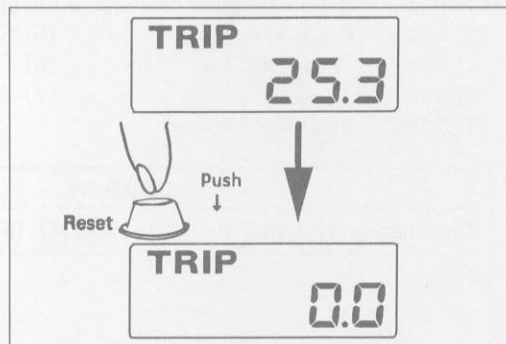




- Indicate the clock mode.
- Check that when the RESET button is pushed for more than two seconds, the meter display turns to the clock set mode.
- Check that it is possible to adjust hours and minutes.
- ★ If the display function does not work and can not be adjusted, replace the meter assembly.

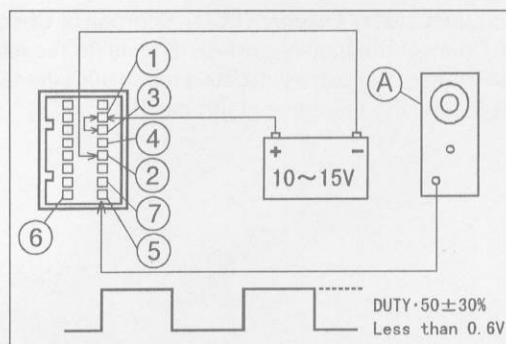


- Indicate the trip mode.
- Check that when the RESET button is pushed for more than two seconds, the figure display turns to 0.0.
- ★ If the figure display does not turn to 0.0, replace the meter assembly.



**Speedometer Check:**

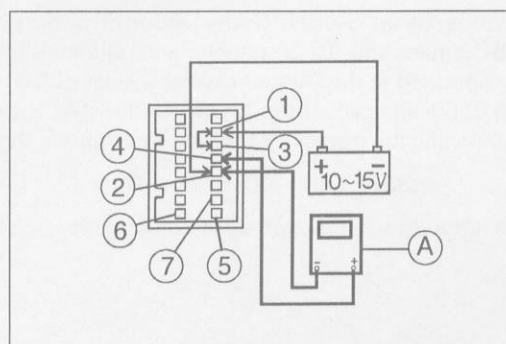
- Connect the 12 V battery and terminals in the same manner as specified in the "Liquid Crystal Display (LCD) Segments Check".
- The speed equivalent to the input frequency is indicated in the oscillator [A], if the square wave is input into the terminal [5].
- Indicates approximately 60 mph in case the input frequency would be approximately 138 Hz.
- Indicates approximately 60 km/h in case the input frequency would be approximately 89.0 Hz.



- If the oscillator is not available, the speedometer can be checked as follows.
- Install the meter unit.
- Raise the rear wheel off the ground, using the jack.
- Turn on the ignition switch.
- Rotate the rear wheel by hand.
- Check that the speedometer shows the speed.
- ★ If the speedometer does not work, check the speed sensor electric source voltage and speed sensor.

**Speed Sensor Electric Source Check:**

- Connect the 12 V battery and terminals in the same manner as specified in the "Liquid Crystal Display (LCD) Segments Check".
- Set the hand tester to the DC25 V range and connect it to the terminals [2] and [4].
- ★ If the voltage is less than 7 V, replace the meter assembly.

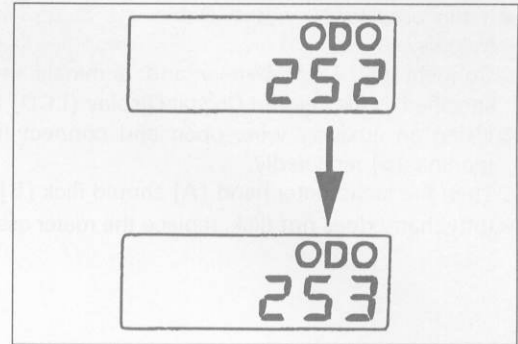


**CAUTION**

Do not short the terminals [2], [4] and [4], [5].

**Odometer Check:**

- Check the odometer with the speedometer in the same way.
- ★ If value indicated in the odometer is not added, replace the meter assembly.

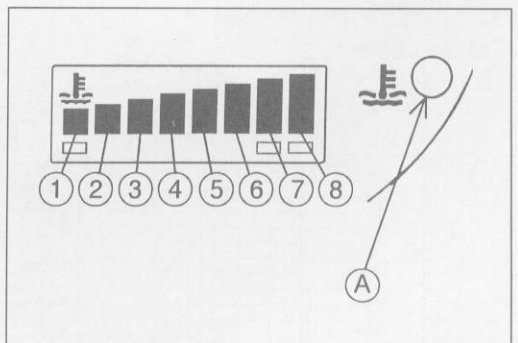
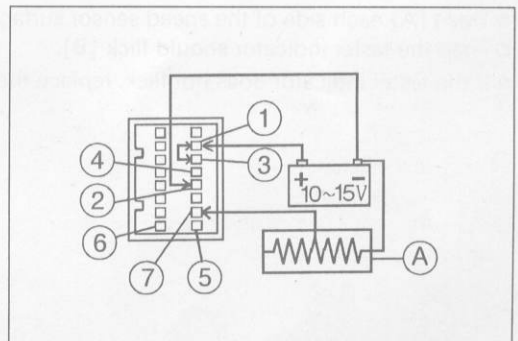
**Trip Meter Check:**

- Check the trip meter with the speedometer in the same way.
- ★ If value indicated in the trip meter is not added, replace the meter assembly.
- Check that when the RESET button is pushed for more than two seconds, the figure display turns to 0.0.
- ★ If the figure display does not indicate 0.0, replace the meter assembly.

**Water Temperature Meter Check:**

- Connect the 12 V battery and terminals in the same manner as specified in the "Liquid Crystal Display (LCD) Segments Check".
- Connect the variable rheostat [A] to the terminal [7] as shown.
- Check that the number of segments matches the resistance value of the variable rheostat.

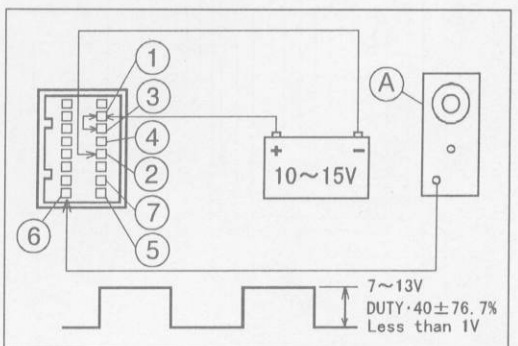
Resistance Value ( $\Omega$ )	Display Segment
24400	1
9560	2
6180	3
2780	4
1340	5
950	6
810	7
690	8
less than 690	Warning light [A] and segments flash.



- If any display function does not work, replace the meter assembly.

**Tachometer Check:**

- Connect the 12 V battery and terminals in the same manner as specified in the "Liquid Crystal Display (LCD) Segments Check".
- The engine speed equivalent to the input frequency is indicated in the oscillator [A], if the square wave is input into the terminal [6].
- Indicates approximately 3000 rpm in case the input frequency would be approximately 100 Hz.



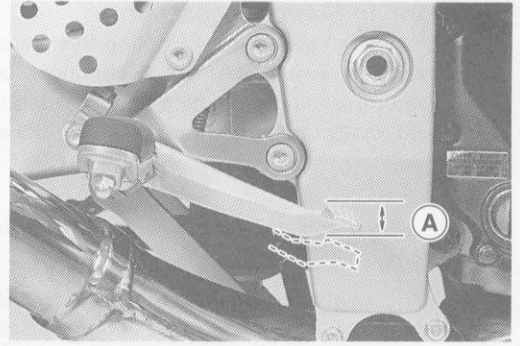
## Switches and Sensors

### Brake Light Timing Inspection

- Turn on the ignition switch.
- Check the operation of the rear brake light switch by depressing the brake pedal.
- ★ If it does not as specified, adjust the brake light timing.

#### Brake Light Timing

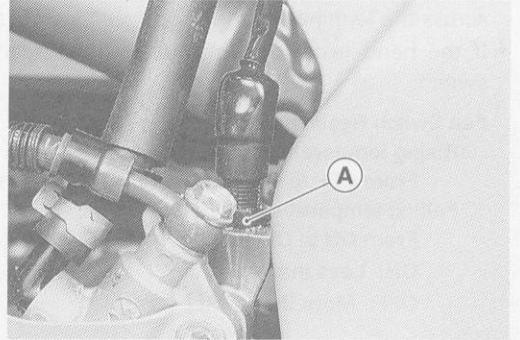
**Standard:** On after about 10 mm of pedal travel [A]



### Brake Light Timing Adjustment

Brake light timing is adjusted by changing the position of the rear brake light switch.

- Adjust the position of the switch so that the brake light goes on after the specified pedal travel by turning the adjusting nut [A].



#### CAUTION

To avoid damaging the electrical connections inside the switch, be sure that the switch body does not turn during adjustment.

### Switch Inspection

- Using a hand tester, check to see that only the connections shown in the table have continuity (about zero ohms).
- For the handlebar switches and the ignition switch, refer to the tables in the Wiring Diagram.
- ★ If the switch has an open or short, repair it or replace it with a new one.

**Special Tool – Hand Tester: 57001-1394**

#### Rear Brake Light Switch Connections

	BR	BL
When brake pedal is pushed down	○	○
When brake pedal is released		

#### Side Stand Switch Connections

	G/W	BK/Y
When side stand is up	○	○
When side stand is down		

#### Neutral Switch Connections

	SW. Terminal	TTT
When transmission is in neutral	○	○
When transmission is not in neutral		

#### Oil Pressure Switch Connections\*

	SW. Terminal	TTT
When engine is stopped	○	○
When engine is running		

\*: Engine lubrication system is in good condition

**Radiator Fan Switch Inspection**

- Remove the fan switch (see Cooling System chapter).
- Suspend the switch [A] in a container of coolant so that the temperature-sensing projection and threaded portion are submerged.
- Suspend an accurate thermometer [B] in the coolant.

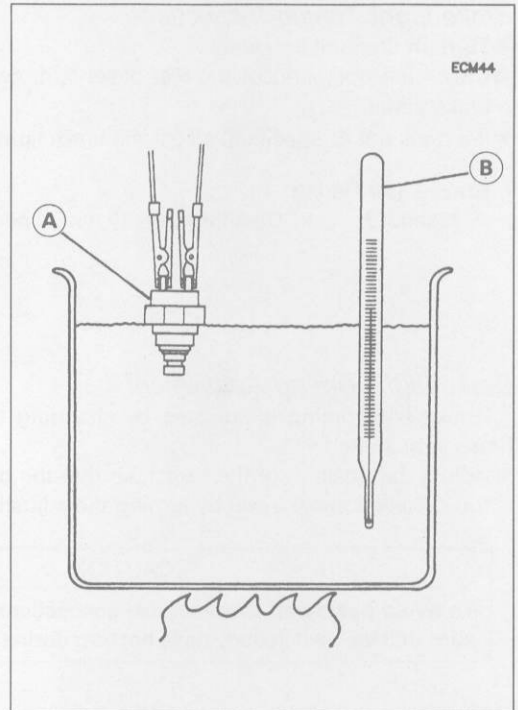
**NOTE**

○ The switch and thermometer must not touch the container sides or bottom.

- Place the container over a source of heat and gradually raise the temperature of the coolant while stirring the coolant gently.
- Using the hand tester, measure the internal resistance of the switch across the terminals at the temperatures shown in the table.
- ★ If the hand tester does not show the specified values, replace the switch.

**Fan Switch Resistance**

- **Rising temperature:**  
From OFF to ON at 93 ~ 103°C (199 ~ 217°F)
- **Falling temperature:**  
From ON to OFF at above 91°C (196°F)  
ON: Less than 0.5 Ω  
OFF: More than 1 MΩ



**Water Temperature Sensor Inspection**

- Remove the water temperature sensor (see Cooling System chapter).
- Suspend the sensor [A] in a container of coolant so that the temperature-sensing projection and threaded portion are submerged.
- Suspend an accurate thermometer [B] in the coolant.

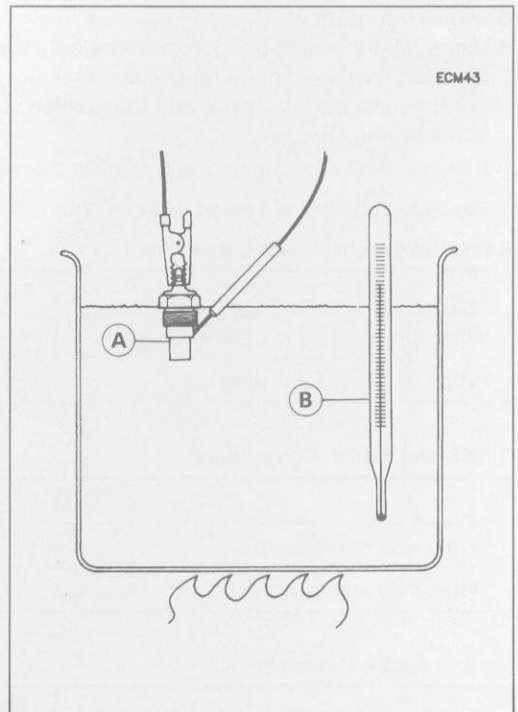
**NOTE**

○ The sensor and thermometer must not touch the container side or bottom.

- Place the container over a source of heat and gradually raise the temperature of the coolant while stirring the coolant gently.
- Using the hand tester, measure the internal resistance of the sensor across the terminal and the body at the temperatures shown in the table.
- ★ If the hand tester does not show the specified values, replace the sensor.

**Water Temperature Sensor Resistance**

- 50°C (122°F): 9.18 ~ 9.94 kΩ
- 80°C (176°F): 2.50 ~ 3.06 kΩ
- 120°C (248°F): 0.65 ~ 0.73 kΩ

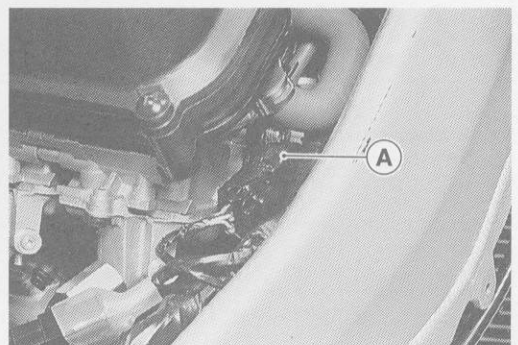


**Throttle Sensor Removal/Installation**

**CAUTION**

Do not remove the throttle sensor [A].

- When replacing the sensor, refer to Throttle Sensor Position Adjustment.



### Throttle Sensor Inspection

- Remove the fuel tank (see Fuel System chapter).
- Prepare an auxiliary fuel tank and connect the fuel hose to the carburetors.
- Start the engine and warm it up thoroughly.
- Check:
  - Idle Speed (see Fuel System chapter)
  - Battery Charging Condition (see this chapter)
- Turn off the ignition switch.
- Remove the throttle sensor lead connector.
- Connect the adapter [A] between the connectors [B].

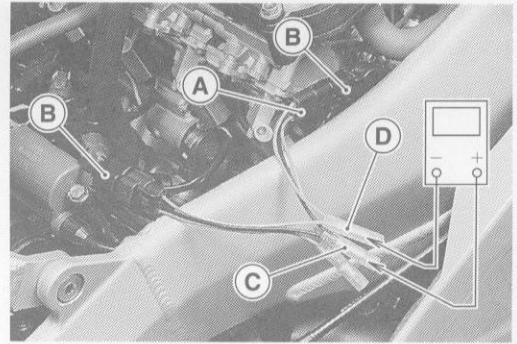
#### Special Tool – Throttle Sensor Setting Adapter: 57001-1408

- Connect the hand tester to the adapter.
  - Hand Tester (+) → Y/W Lead [C]
  - Hand Tester (-) → BK/BL Lead [D]
- Start the engine.
- Check the sensor output voltage with the engine idling.

#### Throttle Sensor Output Voltage

Standard: 0.95 ~ 1.05 V (When engine is idling.)

- ★ If it is not within the specified voltage, adjust the throttle sensor position (see Throttle Sensor Position Adjustment).



### Throttle Sensor Position Adjustment/Installation

- Check idle speed and carburetor synchronization (see Fuel System chapter).
- Stop the engine and remove the carburetor.

#### CAUTION

Do not turn the idle adjusting screw when removing the carburetor.

- Connect the throttle sensor setting adapter to the sensor lead connectors (see Throttle Sensor Inspection).

#### Special Tool – Throttle Sensor Setting Adapter: 57001-1408

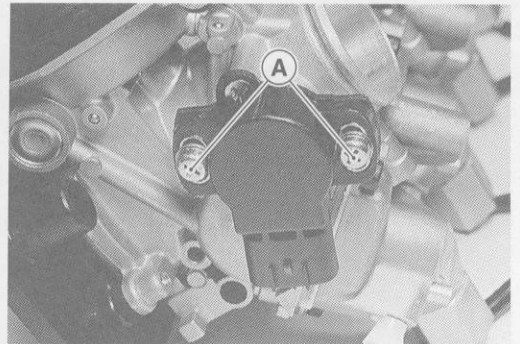
- Loosen the throttle sensor mounting screws [A].
- Turn on the ignition switch.
- Adjust the position of the sensor until the output voltage is within the specified voltage.

#### Throttle Sensor Output Voltage

Standard: 0.95 ~ 1.05 V

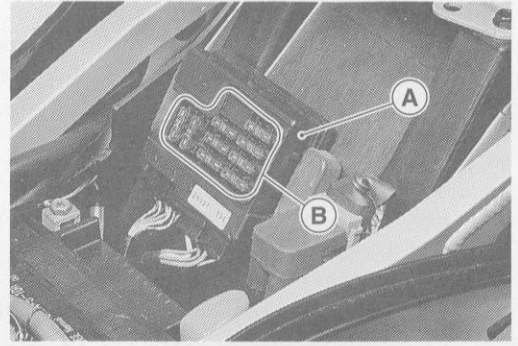
- ★ If it is not within the specified voltage, replace the sensor.
- When installing the sensor, tighten the screws gradually and alternately.

Torque – Throttle Sensor Mounting Screws: 3.4 N-m (0.35 kg-m, 30 in-lb)



## Junction Box

The junction box [A] has fuses [B], relays, and diodes. The relays and diodes can not be removed.



### Junction Box Fuse Circuit Inspection

- Remove the seats (see Frame chapter).
- Remove the junction box.
- Pull off the connectors from the junction box.
- Make sure all connector terminals are clean and tight, and none of them have been bent.
- ★ Clean the dirty terminals, and straighten slightly-bent terminals.
- Check conductivity of the numbered terminals with the hand tester.
- ★ If the tester does not read as specified, replace the junction box.

### Fuse Circuit Inspection

Tester Connection	Tester Reading ( $\Omega$ )
1 - 1A	0
1 - 2	0
3A - 4	0
6 - 5	0
6 - 10	0
6 - 7	0
6 - 17	0

Tester Connection	Tester Reading ( $\Omega$ )
1A - 8	$\infty$
2 - 8	$\infty$
3A - 8	$\infty$
6 - 2	$\infty$
6 - 3A	$\infty$
17 - 3A	$\infty$

### Starter Circuit/Headlight Relay Inspection

- Remove the junction box.
- Check conductivity of the following numbered terminals by connecting the hand tester and one 12 V battery to the junction box as shown.
- ★ If the tester does not read as specified, replace the junction box.

### Relay Circuit Inspection (with the battery disconnected)

	Tester Connection	Tester Reading ( $\Omega$ )
Headlight Relay	*7 - 8	$\infty$
	*7 - 13	$\infty$
	(+) (-) *13 - 9	Not $\infty$ **

	Tester Connection	Tester Reading ( $\Omega$ )
Starter Circuit Relay	9 - 11	$\infty$
	12 - 13	$\infty$
	(+) (-) 13 - 11	$\infty$
	(+) (-) 12 - 11	Not $\infty$ **

(\*): US, Canada, and Australia Models only

(\*\*): The actual reading varies with the hand tester used.

(+): Apply tester positive lead.

(-): Apply tester negative lead.

**Relay Circuit Inspection (with the battery connected)**

	Battery Connection (+) (-)	Tester Connection	Tester Reading ( $\Omega$ )
Headlight Relay	*9 - 13	*7 - 8	0
Starter Circuit Relay	11 - 12	(+) (-) 13 - 11	Not $\infty$ **

(\*): US, Canada, and Australia Models only

(\*\*): The actual reading varies with the hand tester used.

(+): Apply tester positive lead.

(-): Apply tester negative lead.

**Diode Circuit Inspection**

- Remove the junction box.
- Check conductivity of the following pairs of terminals.

**Diode Circuit Inspection**

Tester Connection	*13-8, *13-9, 12-11, 12-14, 15-14, 16-14
-------------------	--

\*: US, Canada, and Australia Models only

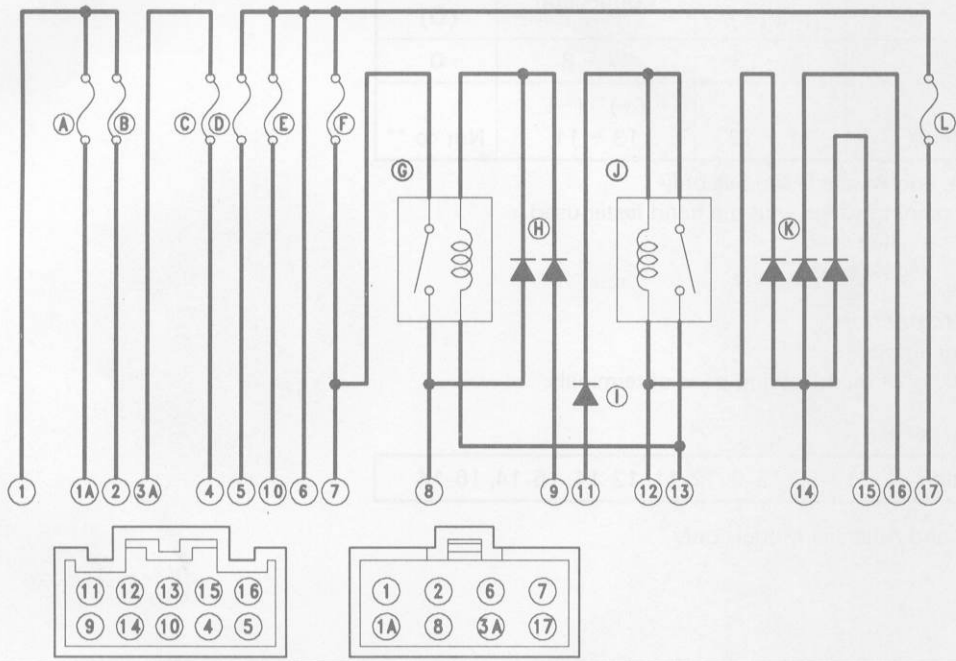
- ★ The resistance should be low in one direction and more than ten times as much in the other direction. If any diode shows low or high in both directions, the diode is defective and the junction box must be replaced.

**NOTE**

- The actual meter reading varies with the meter used and the individual diodes, but, generally speaking, the lower reading should be from zero to one half the scale.

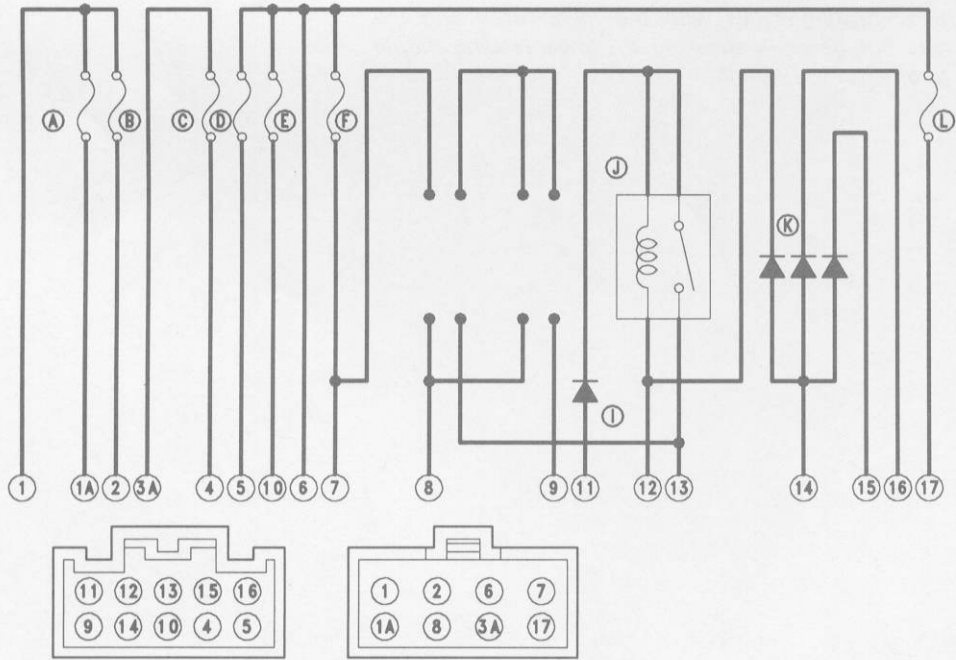
Junction Box Internal Circuit (US, Canada, and Australia)

EC49



Junction Box Internal Circuit (Other than US, Canada, and Australia)

EC54



- A. Accessory Fuse 10A
- B. Fan Fuse 10A
- C. Turn Signal Relay Fuse 10A
- D. Horn Fuse 10A

- E. Ignition Fuse 10A
- F. Headlight Fuse 10A
- G. Headlight Relay
- H. Headlight Diodes

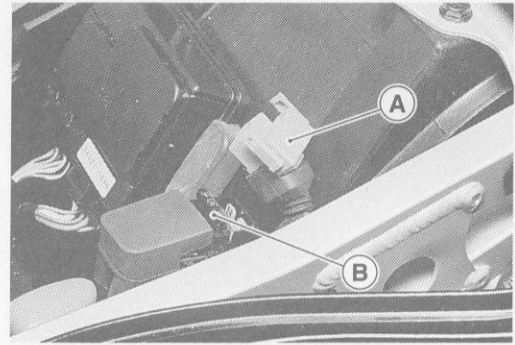
- I. Starter Diode
- J. Starter Circuit Relay
- K. Interlock Diodes
- L. Taillight Fuse 10A



## Fuse

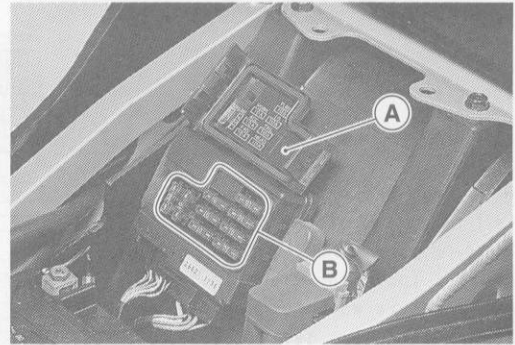
### 30A Main Fuse Removal

- Remove:
  - Seats (see Frame chapter)
  - Starter Relay and 30A Main Fuse Connector [A]
- Pull out the main fuse [B] from the starter relay with needle nose pliers.



### Junction Box Fuse Removal

- Remove the seats (see Frame chapter).
- Unlock the hook to lift up the lid [A].
- Pull the fuses [B] straight out of the junction box with needle nose pliers.



### Fuse Installation

- If a fuse fails during operation, inspect the electrical system to determine the cause, and then replace it with a new fuse of proper amperage.
- Install the junction box fuses on the original position as specified on the lid.

### Fuse Inspection

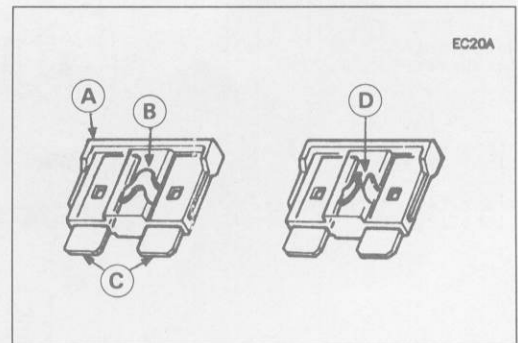
- Remove the fuse (see Fuse Removal).
- Inspect the fuse element.
- ★ If it is blown out, replace the fuse. Before replacing a blown fuse, always check the amperage in the affected circuit. If the amperage is equal to or greater than the fuse rating, check the wiring and related components for a short circuit.

Housing [A]

Fuse Element [B]

Terminals [C]

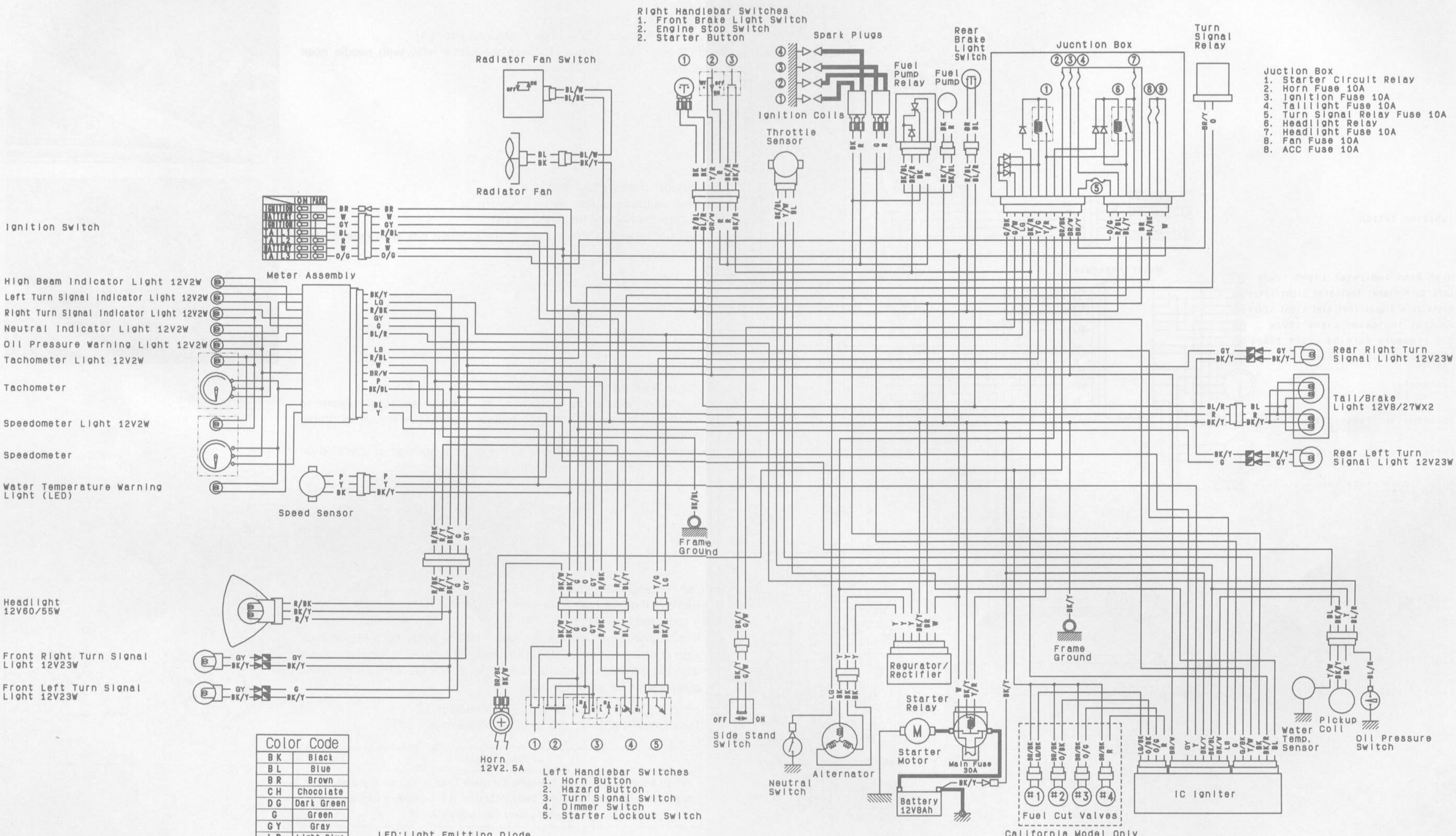
Blown Element [D]

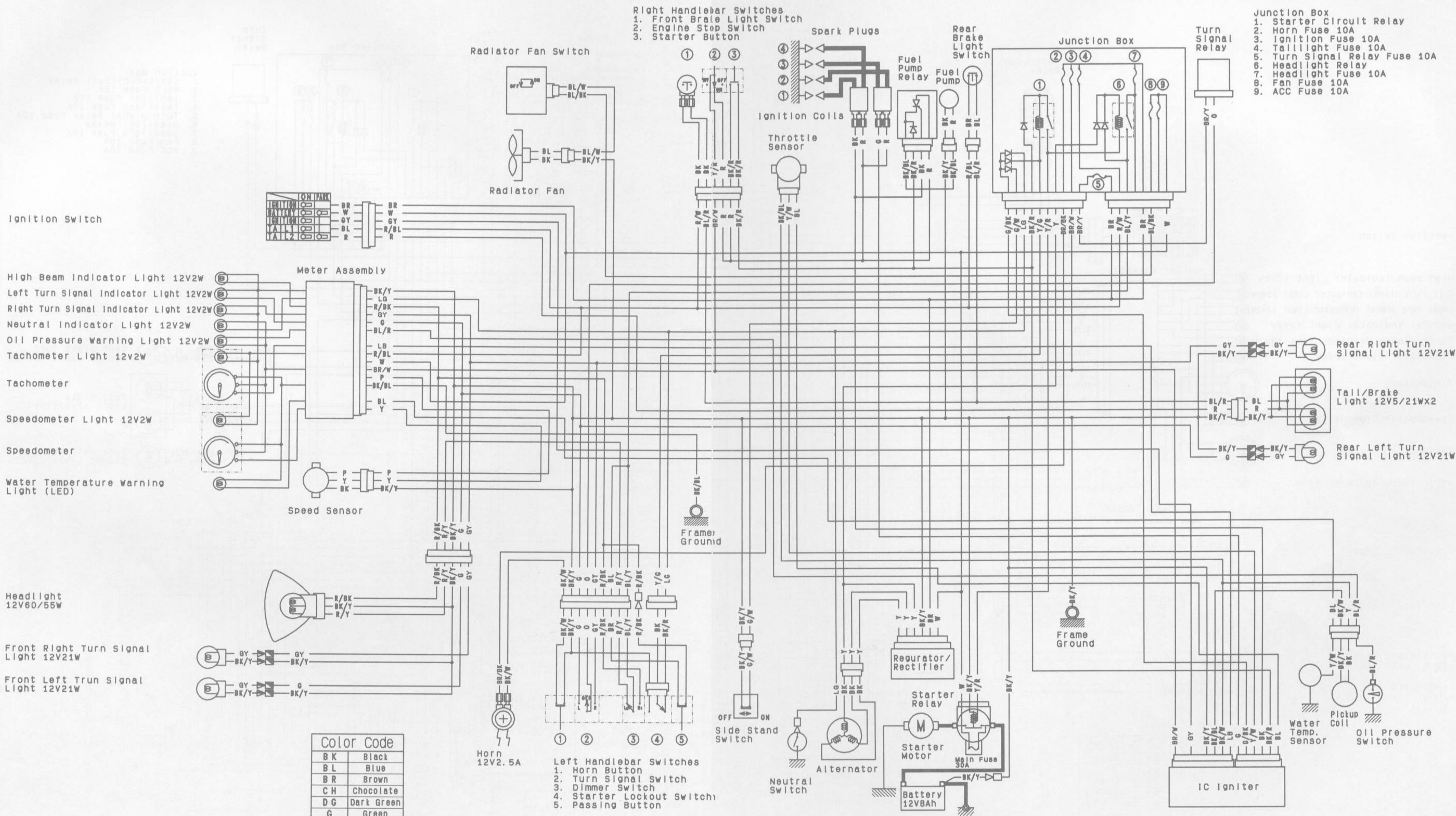


### CAUTION

When replacing a fuse, be sure the new fuse matches the specified fuse rating for that circuit. Installation of a fuse with a higher rating may cause damage to wiring and components.

Wiring Diagram (US, Canada and Malaysia)





- Junction Box**
1. Starter Circuit Relay
  2. Horn Fuse 10A
  3. Ignition Fuse 10A
  4. Taillight Fuse 10A
  5. Turn Signal Relay Fuse 10A
  6. Headlight Relay
  7. Headlight Fuse 10A
  8. Fan Fuse 10A
  9. ACC Fuse 10A

- Right Handlebar Switches**
1. Front Brake Light Switch
  2. Engine Stop Switch
  3. Starter Button

- Left Handlebar Switches**
1. Horn Button
  2. Turn Signal Switch
  3. Dimmer Switch
  4. Starter Lockout Switch
  5. Passing Button

**Color Code**

BK	Black
BL	Blue
BR	Brown
CH	Chocolate
DG	Dark Green
G	Green
GY	Gray
LB	Light Blue
LG	Light Green
O	Orange
P	Pink
PU	Purple
R	Red
W	White
Y	Yellow

LED: Light Emitting Diode

**LEFT HANDLEBAR SWITCH CONNECTIONS**

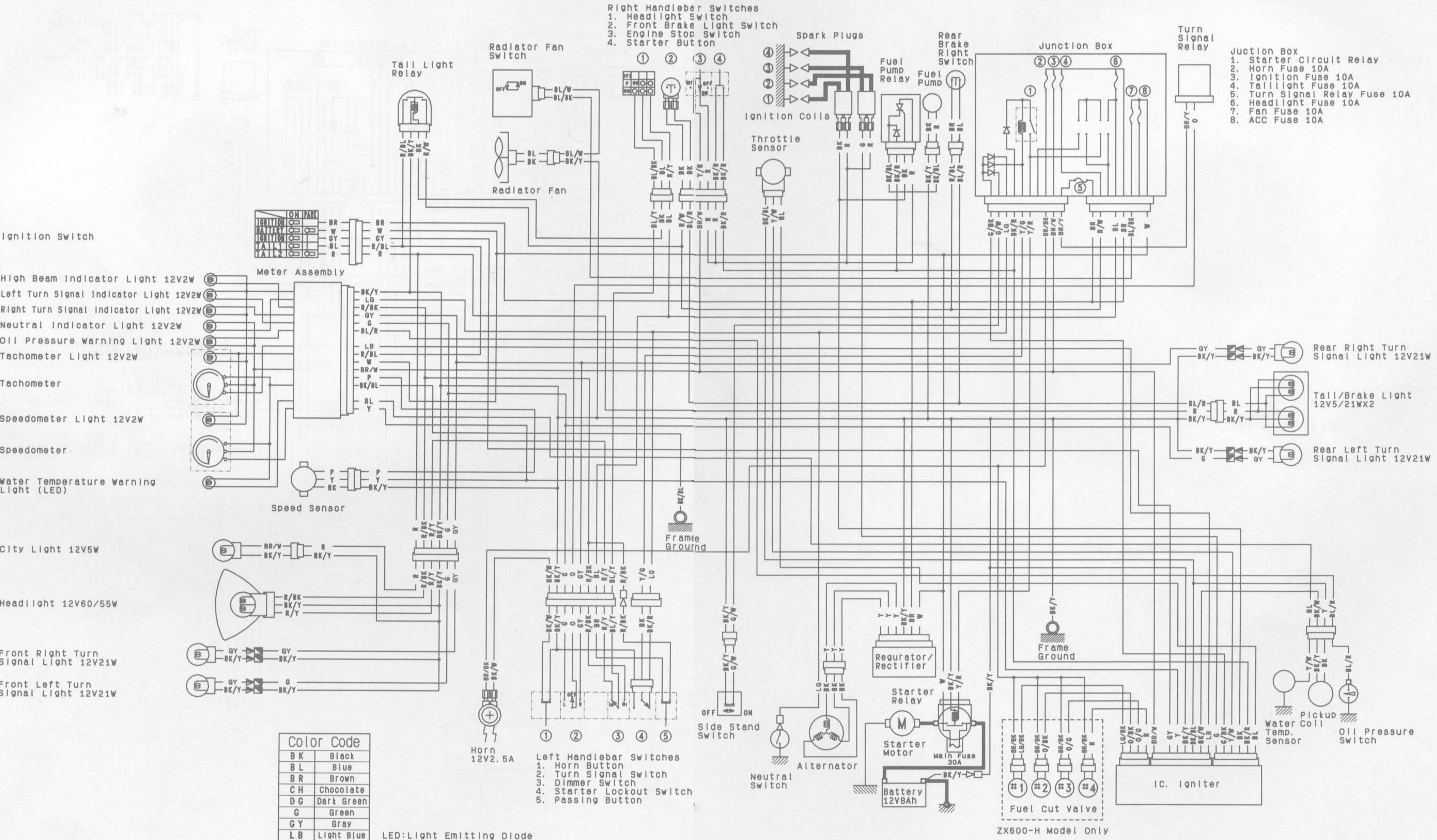
Horn Button	Turn Signal Switch	Dimmer Switch	Starter Lockout Switch	Passing Button											
Color	BK/WBK/Y	Color	G	O	GY	Color	R/Y	BL/YR/BK	Color	BK/Y	BK	BK/R	Color	BR	R/BK
Push	L	HI	Clutch Lever	Push											
	OFF (Push)		Released												
	R	LO	Pulled in												

**IGNITION SWITCH CONNECTIONS**

	Ignition	Battery	Ignition	Tail1	Tail2
Color	BR	W	GY	BL	R
OFF, LOCK					
ON					
P					

**RIGHT HANDLEBAR SWITCH CONNECTIONS**

Front Brake Light Switch	Engine Stop Switch	Starter Button						
Color	BK	BK	Color	Y/R	R	Color	BK/R	BK/R
Brake Lever	OFF							
Pulled In	RUN							



- Right Handlebar Switches**
1. Headlight Switch
  2. Front Brake Light Switch
  3. Engine Stop Switch
  4. Starter Button

- Junction Box**
1. Starter Circuit Relay
  2. Horn Fuse 10A
  3. Ignition Fuse 10A
  4. Taillight Fuse 10A
  5. Turn Signal Relay Fuse 10A
  6. Headlight Fuse 10A
  7. Fan Fuse 10A
  8. ACC Fuse 10A

- Left Handlebar Switches**
1. Horn Button
  2. Turn Signal Switch
  3. Dimmer Switch
  4. Starter Lockout Switch
  5. Passing Button

**Color Code**

BK	Black
BL	Blue
BR	Brown
CH	Chocolate
DG	Dark Green
G	Green
GY	Gray
LB	Light Blue
LG	Light Green
O	Orange
P	Pink
PU	Purple
R	Red
W	White
Y	Yellow

LED: Light Emitting Diode

**LEFT HANDLEBAR SWITCH CONNECTIONS**

Horn Button	Turn Signal Switch	Dimmer Switch	Starter Lockout Switch	Passing Button
Color BK/WBK/Y	Color G O GY	Color R/Y BL/YR/BK	Color BK/Y BK BK/R	Color BR R/BK
Push	OFF (Push)	HI	Clutch Lever Released	Push
	R	LO	Pulled In	

**IGNITION SWITCH CONNECTIONS**

	Ignition	Battery	Ignition	Tail1	Tail2
Color	BR	W	GY	BL	R
OFF, LOCK					
ON					
P					

**RIGHT HANDLEBAR SWITCH CONNECTIONS**

Headlight Switch	Front Brake Light Switch	Engine Stop Switch	Starter Button
Color R/Y BL BL/BK	Color BK BK	Color Y/R R	Color BK/R BK/R
OFF	Brake Lever Pulled In	OFF	Push
ON		RUN	

---

---

# Appendix

## Table of Contents

Additional Considerations for Racing .....	16-2
Carburetor: .....	16-2
Spark Plug:.....	16-2
Spark Plug Inspection .....	16-3
Troubleshooting Guide .....	16-4
General Lubrication.....	16-8
Lubrication.....	16-8
Nut, Bolt, and Fastener Tightness .....	16-9
Tightness Inspection .....	16-9
Unit Conversion Table .....	16-10

## Additional Considerations for Racing

This motorcycle has been manufactured for use in a reasonable and prudent manner and as a vehicle only. However, some may wish to subject this motorcycle to abnormal operation, such as would be experienced under racing conditions. **KAWASAKI STRONGLY RECOMMENDS THAT ALL RIDERS RIDE SAFELY AND OBEY ALL LAWS AND REGULATIONS CONCERNING THEIR MOTORCYCLE AND ITS OPERATION.**

Racing should be done under supervised conditions, and recognized sanctioning bodies should be contacted for further details. For those who desire to participate in competitive racing or related use, the following technical information may prove useful. However, please note the following important notes.

- You are entirely responsible for the use of your motorcycle under abnormal conditions such as racing, and Kawasaki shall not be liable for any damages which might arise from such use.
- Kawasaki's Limited Motorcycle Warranty and Limited Emission Control Systems Warranty specifically exclude motorcycles which are used in competition or related uses. Please read the warranty carefully.
- Motorcycle racing is a very sophisticated sport, subject to many variables. The following information is theoretical only, and Kawasaki shall not be liable for any damages which might arise from alterations utilizing this information.
- When the motorcycle is operated on public roads, it **must** be in its original state in order to ensure safety and compliance with applicable regulations.

### Carburetor:

Sometimes an alteration may be desirable for improved performance under special conditions when proper mixture is not obtained after the carburetor has been properly adjusted, and all parts cleaned and found to be functioning properly.

If the engine still exhibits symptoms of overly rich or lean carburetion after all maintenance and adjustments are correctly performed, the main jet can be replaced with a smaller or larger one. A smaller numbered jet gives a leaner mixture and a larger numbered jet a richer mixture.

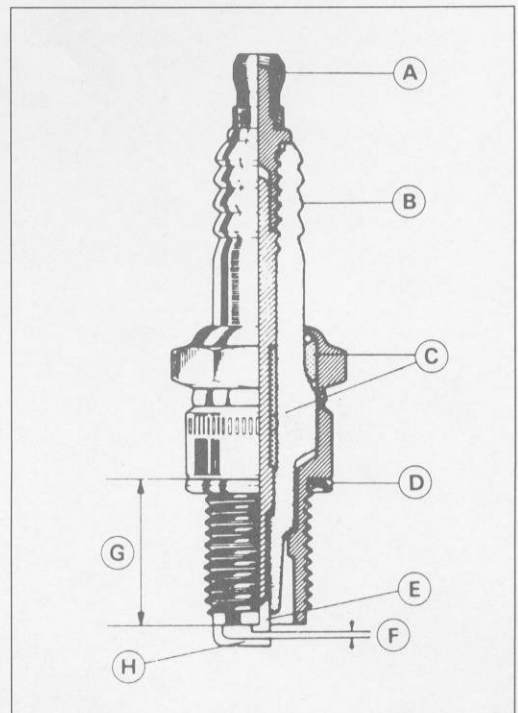
### Spark Plug:

The spark plug ignites the fuel and air mixture in the combustion chamber. To do this effectively and at the proper time, the correct spark plug must be used, and the spark plug must be kept clean and the gap adjusted.

Tests have shown the plug listed in the "General Information" chapter to be the best plug for general use.

Since spark plug requirements change with the ignition and carburetion adjustments and with riding conditions, whether or not a spark plug of the correct heat range is used should be determined by removing and inspecting the plug.

- A. Terminal
- B. Insulator
- C. Cement
- D. Gasket
- E. Center Electrode
- F. Gap (0.7 ~ 0.8 mm)
- G. Reach
- H. Side Electrode



When a plug of the correct heat range is being used, the electrodes will stay hot enough to keep all the carbon burned off, but cool enough to keep from damaging the engine and the plug itself. This temperature is about 400 ~ 800°C (750 ~ 1,450°F) and can be judged by noting the condition and color of the ceramic insulator around the center electrode. If the ceramic is clean and of a light brown color, the plug is operating at the right temperature.

A spark plug for higher operating temperatures is used for racing. Such a plug is designed for better cooling efficiency so that it will not overheat and thus is often called a "colder" plug. If a spark plug with too high a heat range is used – that is, a "cold" plug that cools itself too well – the plug will stay too cool to burn off the carbon, and the carbon will collect on the electrodes and the ceramic insulator.

The carbon on the electrodes conducts electricity, and can short the center electrode to ground by either coating the ceramic insulator or bridging across the gap. Such a short will prevent an effective spark. Carbon build-up on the plug can also cause other troubles. It can heat up red-hot and cause preignition and knocking, which may eventually burn a hole in the top of the piston.

**Spark Plug Inspection**

- Remove the spark plug and inspect the ceramic insulator.
- ★ Whether or not the right temperature plug is being used can be ascertained by noting the condition of the ceramic insulator around the electrode. A light brown color indicates the correct plug is being used. If the ceramic is black, it indicates that the plug is firing at too low a temperature, so the next hotter type should be used instead. If the ceramic is white, the plug is operating at too high a temperature and it should be replaced with the next colder type.

**CAUTION**

If the spark plug is replaced with a type other than the standard plug, make certain the replacement plug has the same thread pitch and reach (length of threaded portion) and the same type electrode (regular type or projected type) as the standard plug.

If the plug reach is too short, carbon will build up on the plug hole threads in the cylinder head, causing overheating and making it very difficult to insert the correct spark plug later.

If the reach is too long, carbon will build up on the exposed spark plug threads causing overheating, preignition, and possibly burning a hole in the piston top. In addition, it may be impossible to remove the plug without damaging the cylinder head.

**Standard Spark Plug Threads**

Diameter:	10 mm
Pitch:	1.0 mm
Reach:	19 mm

**NOTE**

○ The heat range of the spark plug functions like a thermostat for the engine. Using the wrong type of spark plug can make the engine run too hot (resulting in engine damage) or too cold (with poor performance, misfiring, and stalling).

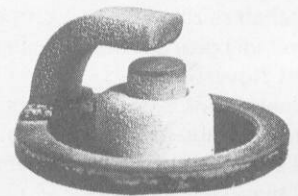
**Spark Plug Condition**



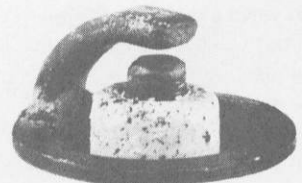
Carbon fouling



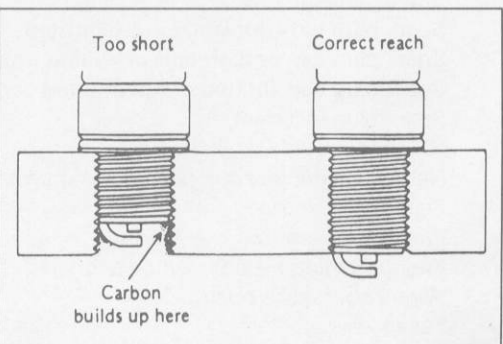
Oil fouling



Normal operation



Overheating



## Troubleshooting Guide

### NOTE

- *This is not an exhaustive list, giving every possible cause for each problem listed. It is meant simply as a rough guide to assist the troubleshooting for some of the more common difficulties.*

### Engine Doesn't Start, Starting Difficulty:

#### Starter motor not rotating:

- Starter lockout or neutral switch trouble
- Starter motor trouble
- Battery voltage low
- Starter relays not contacting or operating
- Starter button not contacting
- Wiring open or shorted
- Ignition switch trouble
- Engine stop switch trouble
- Fuse blown

#### Starter motor rotating but engine doesn't turn over:

- Starter motor clutch trouble

#### Engine won't turn over:

- Valve seizure
- Valve lifter seizure
- Cylinder, piston seizure
- Crankshaft seizure
- Connecting rod small end seizure
- Connecting rod big end seizure
- Transmission gear or bearing seizure
- Camshaft seizure
- Starter idle gear seizure

#### No fuel flow:

- No fuel in tank
- Battery voltage low
- Fuel pump trouble
- Fuel pump relay trouble
- Fuel tank air vent obstructed
- Fuel filter clogged
- Fuel tap clogged
- Fuel line clogged
- Float valve clogged
- Fuel cut valve left close (check fuel cut valve and IC igniter)

#### Engine flooded:

- Fuel level in carburetor float bowl too high
- Float valve worn or stuck open
- Starting technique faulty  
(When flooded, crank the engine with the throttle fully opened to allow more air to reach the engine.)

#### No spark; spark weak:

- Battery voltage low
- Spark plug dirty, broken, or maladjusted
- Spark plug cap or high tension wiring trouble
- Spark plug cap shorted or not in good contact
- Spark plug incorrect
- IC igniter trouble
- Neutral, starter lockout, or side stand switch trouble
- Pickup coil trouble
- Ignition coil trouble
- Ignition or engine stop switch shorted
- Wiring shorted or open
- Fuse blown

#### Fuel/air mixture incorrect:

- Pilot screw and/or idle adjusting screw maladjusted
- Pilot jet, or air passage clogged
- Air cleaner clogged, poorly sealed, or missing
- Starter jet clogged

#### Compression Low:

- Spark plug loose
- Cylinder head not sufficiently tightened down
- No valve clearance
- Cylinder, piston worn
- Piston ring bad (worn, weak, broken, or sticking)
- Piston ring/groove clearance excessive
- Cylinder head gasket damaged
- Cylinder head warped
- Valve spring broken or weak
- Valve not seating properly (valve bent, worn, or carbon accumulation on the seating surface)

### Poor Running at Low Speed:

#### Spark weak:

- Battery voltage low
- Spark plug dirty, broken, or maladjusted
- Spark plug cap or high tension wiring trouble
- Spark plug cap shorted or not in good contact
- Spark plug incorrect
- IC igniter trouble
- Pickup coil trouble
- Ignition coil trouble

#### Fuel/air mixture incorrect:

- Pilot screw maladjusted
- Pilot jet, or air passage clogged
- Air bleed pipe bleed holes clogged
- Pilot passage clogged
- Air cleaner clogged, poorly sealed, or missing
- Starter plunger stuck open
- Fuel level in carburetor float bowl too high or too low
- Fuel tank air vent obstructed
- Fuel cut valve won't fully open (check fuel cut valve)
- Carburetor holder loose
- Air cleaner duct loose
- Air cleaner O-ring damaged
- Fuel pump trouble
- Fuel pump relay trouble
- Fuel filter clogged

#### Compression low:

- Spark plug loose
- Cylinder head not sufficiently tightened down
- No valve clearance
- Cylinder, piston worn
- Piston ring bad (worn, weak, broken, or sticking)
- Piston ring/groove clearance excessive
- Cylinder head warped
- Cylinder head gasket damaged
- Valve spring broken or weak
- Valve not seating properly (valve bent, worn, or carbon accumulation on the seating surface)

#### Other:

- IC igniter trouble
- Carburetors not synchronizing



Carburetor vacuum piston doesn't slide smoothly  
 Carburetor vacuum piston diaphragm damage  
 Engine oil viscosity too high  
 Drive train trouble  
 Brake dragging  
 Air suction valve trouble  
 Vacuum switch valve trouble

Clutch slipping  
 Overheating  
 Engine oil level too high  
 Engine oil viscosity too high  
 Drive train trouble  
 Air suction valve trouble  
 Vacuum switch valve trouble  
 Catalytic converters melt down due to muffler  
 overheating

## Poor Running or No Power at High Speed:

### Firing incorrect:

Spark plug dirty, broken, or maladjusted  
 Spark plug cap or high tension wiring trouble  
 Spark plug cap shorted or not in good contact  
 Spark plug incorrect  
 IC igniter trouble  
 Pickup coil trouble  
 Ignition coil trouble

### Fuel/air mixture incorrect:

Starter plunger stuck open  
 Main jet clogged or wrong size  
 Jet needle or needle jet worn  
 Air jet clogged  
 Fuel level in carburetor float bowl too high or too  
 low  
 Fuel cut valve won't fully open (check fuel cut  
 valve)  
 Bleed holes of needle jet holder or needle jet  
 clogged  
 Air cleaner clogged, poorly sealed, or missing  
 Air cleaner duct loose  
 Air cleaner O-ring damaged  
 Water or foreign matter in fuel  
 Carburetor holder loose  
 Fuel tank air vent obstructed  
 Fuel tap clogged  
 Fuel line clogged  
 Fuel pump trouble  
 Fuel pump relay trouble  
 Fuel filter clogged

### Compression low:

Spark plug loose  
 Cylinder head not sufficiently tightened down  
 No valve clearance  
 Cylinder, piston worn  
 Piston ring bad (worn, weak, broken, or sticking)  
 Piston ring/groove clearance excessive  
 Cylinder head gasket damaged  
 Cylinder head warped  
 Valve spring broken or weak  
 Valve not seating properly (valve bent, worn, or  
 carbon accumulation on the seating surface.)

### Knocking:

Carbon built up in combustion chamber  
 Fuel poor quality or incorrect  
 Spark plug incorrect  
 IC igniter trouble

### Miscellaneous:

Throttle valve won't fully open  
 Carburetor vacuum piston doesn't slide smoothly  
 Carburetor vacuum piston diaphragm damaged  
 Brake dragging

## Overheating:

### Firing incorrect:

Spark plug dirty, broken, or maladjusted  
 Spark plug incorrect  
 IC igniter trouble

### Muffler overheating:

Do not run the engine even if with only one cylinder  
 misfiring or poor running (Request the nearest  
 service facility to correct it)  
 Do not push-start with the dead battery (Connect  
 another full-charged battery with jumper cables,  
 and start the engine using the electric starter)  
 Do not start the engine under misfire due to spark  
 plug fouling or poor connection of the ignition  
 coil secondary lead  
 Do not coast the motorcycle with the ignition switch  
 OFF (Turn the ignition switch ON and run the  
 engine)

IC igniter or fuel cut valve trouble

### Fuel/air mixture incorrect:

Main jet clogged or wrong size  
 Fuel level in carburetor float bowl too low  
 Carburetor holder loose  
 Air cleaner duct loose  
 Air cleaner poorly sealed, or missing  
 Air cleaner O-ring damaged  
 Air cleaner clogged  
 Fuel pump trouble  
 Fuel pump relay trouble  
 Fuel filter clogged

### Compression high:

Carbon built up in combustion chamber

### Engine load faulty:

Clutch slipping  
 Engine oil level too high  
 Engine oil viscosity too high  
 Drive train trouble  
 Brake dragging

### Lubrication inadequate:

Engine oil level too low  
 Engine oil poor quality or incorrect

### Oil cooler incorrect:

Oil cooler clogged

### Gauge incorrect:

Water temperature gauge broken  
 Water temperature sensor broken

### Coolant incorrect:

Coolant level too low  
 Coolant deteriorated

### **Cooling system component incorrect:**

- Radiator fin damaged
- Radiator clogged
- Thermostat trouble
- Radiator cap trouble
- Radiator fan switch trouble
- Fan motor broken
- Fan blade damaged
- Water pump not turning
- Water pump impeller damaged

### **Over Cooling:**

#### **Gauge incorrect:**

- Water temperature gauge broken
- Water temperature sensor broken

#### **Cooling system component incorrect:**

- Radiator fan switch trouble
- Thermostat trouble

### **Clutch Operation Faulty:**

#### **Clutch slipping:**

- Friction plate worn or warped
- Steel plate worn or warped
- Clutch spring broken or weak
- Clutch hub or housing unevenly worn
- No clutch lever play
- Clutch inner cable catching
- Clutch release mechanism trouble

#### **Clutch not disengaging properly:**

- Clutch plate warped or too rough
- Clutch spring compression uneven
- Engine oil deteriorated
- Engine oil viscosity too high
- Engine oil level too high
- Clutch housing frozen on drive shaft
- Clutch hub nut loose
- Clutch hub spline damaged
- Clutch friction plate installed wrong
- Clutch lever play excessive
- Clutch release mechanism trouble

### **Gear Shifting Faulty:**

#### **Doesn't go into gear; shift pedal doesn't return:**

- Clutch not disengaging
- Shift fork bent or seized
- Gear stuck on the shaft
- Gear positioning lever binding
- Shift return spring weak or broken
- Shift return spring pin loose
- Shift mechanism arm spring broken
- Shift mechanism arm broken
- Shift pawl broken

#### **Jumps out of gear:**

- Shift fork worn, bent
- Gear groove worn
- Gear dogs and/or dog holes worn
- Shift drum groove worn
- Gear positioning lever spring weak or broken
- Shift fork pin worn

Drive shaft, output shaft, and/or gear splines worn

#### **Overshifts:**

- Gear positioning lever spring weak or broken
- Shift mechanism arm spring broken

### **Abnormal Engine Noise:**

#### **Knocking:**

- IC igniter trouble
- Carbon built up in combustion chamber
- Fuel poor quality or incorrect
- Spark plug incorrect
- Overheating

#### **Piston slap:**

- Cylinder/piston clearance excessive
- Cylinder, piston worn
- Connecting rod bent
- Piston pin, piston pin hole worn

#### **Valve noise:**

- Valve clearance incorrect
- Valve spring broken or weak
- Camshaft bearing worn
- Valve lifter worn

#### **Other noise:**

- Connecting rod small end clearance excessive
- Connecting rod big end clearance excessive
- Piston ring worn, broken, or stuck
- Piston seizure, damage
- Cylinder head gasket leaking
- Exhaust pipe leaking at cylinder head connection
- Crankshaft runout excessive
- Engine mounts loose
- Crankshaft bearing worn
- Primary gear worn or chipped
- Camshaft chain tensioner trouble
- Camshaft chain, sprocket, guide worn
- Air suction valve damaged
- Vacuum switch valve damaged
- Alternator rotor loose
- Catalytic converters melt down due to muffler overheating

### **Abnormal Drive Train Noise:**

#### **Clutch noise:**

- Clutch rubber damper weak or damaged
- Clutch housing/friction plate clearance excessive
- Clutch housing gear worn

#### **Transmission noise:**

- Bearings worn
- Transmission gears worn or chipped
- Metal chips jammed in gear teeth
- Engine oil insufficient

#### **Drive chain noise:**

- Drive chain adjusted improperly
- Drive chain worn
- Rear and/or engine sprocket worn
- Chain lubrication insufficient
- Rear wheel misaligned

**Abnormal Frame Noise:****Front fork noise:**

- Oil insufficient or too thin
- Spring weak or broken

**Rear shock absorber noise:**

- Shock absorber damaged

**Disc brake noise:**

- Pad installed incorrectly
- Pad surface glazed
- Disc warped
- Caliper trouble

**Other noise:**

- Bracket, nut, bolt, etc. not properly mounted or tightened

**Oil Pressure Warning Light Goes On:**

- Engine oil pump damaged
- Engine oil screen clogged
- Engine oil level too low
- Engine oil viscosity too low
- Camshaft bearings worn
- Crankshaft bearings worn
- Oil pressure switch damaged
- Wiring faulty
- Relief valve stuck open
- O-ring at the oil passage in the crankcase damaged

**Exhaust Smokes Excessively:****White smoke:**

- Piston oil ring worn
- Cylinder worn
- Valve oil seal damaged
- Valve guide worn
- Engine oil level too high

**Black smoke:**

- Air cleaner clogged
- Main jet too large or fallen off
- Starter plunger stuck open
- Fuel level in carburetor float bowl too high

**Brown smoke:**

- Main jet too small
- Fuel level in carburetor float bowl too low
- Air cleaner duct loose
- Air cleaner O-ring damaged
- Air cleaner poorly sealed or missing

**Handling and/or Stability Unsatisfactory:****Handlebar hard to turn:**

- Cable routing incorrect
- Hose routing incorrect
- Wiring routing incorrect
- Steering stem locknut too tight
- Steering stem bearing damaged
- Steering stem bearing lubrication inadequate
- Steering stem bent
- Tire air pressure too low

**Handlebar shakes or excessively vibrates:**

- Tire worn
- Swingarm pivot bearings worn
- Rim warped, or not balanced

- Wheel bearing worn
- Handlebar clamp loose
- Steering stem head nut loose

**Handlebar pulls to one side:**

- Frame bent
- Wheel misalignment
- Swingarm bent or twisted
- Steering maladjusted
- Front fork bent
- Right and left front fork oil level uneven

**Shock absorption unsatisfactory:**

- (Too hard)
- Front fork oil excessive
- Front fork oil viscosity too high
- Rear shock absorber adjustment too hard
- Tire air pressure too high
- Front fork bent
- (Too soft)
- Tire air pressure too low
- Front fork oil insufficient and/or leaking
- Front fork oil viscosity too low
- Rear shock adjustment too soft
- Front fork, rear shock absorber spring weak
- Rear shock absorber oil leaking

**Brake Doesn't Hold:**

- Air in the brake line
- Pad or disc worn
- Brake fluid leakage
- Disc warped
- Contaminated pad
- Brake fluid deteriorated
- Primary or secondary cup damaged in master cylinder
- Master cylinder scratched inside

**Battery Trouble:****Battery discharged:**

- Battery faulty (e.g., plates sulphated, shorted through sedimentation, electrolyte insufficient)
- Battery leads making poor contact
- Load excessive (e.g., bulb of excessive wattage)
- Ignition switch trouble
- Alternator trouble
- Wiring faulty
- Regulator/rectifier trouble

**Battery overcharged:**

- Regulator/rectifier trouble
- Battery faulty

## 16-8 APPENDIX

### General Lubrication

#### Lubrication

- Before lubricating each part, clean off any rusty spots with rust remover and wipe off any grease, oil, dirt, or grime.
- Lubricate the points listed below with indicated lubricant.

#### NOTE

- Whenever the vehicle has been operated under wet or rainy conditions, or especially after using a high-pressure water spray, perform the general lubrication.

#### Pivots: Lubricate with Motor Oil.

- Clutch Lever
- Brake Lever
- Brake Pedal
- Side Stand
- Rear Brake Rod Joint

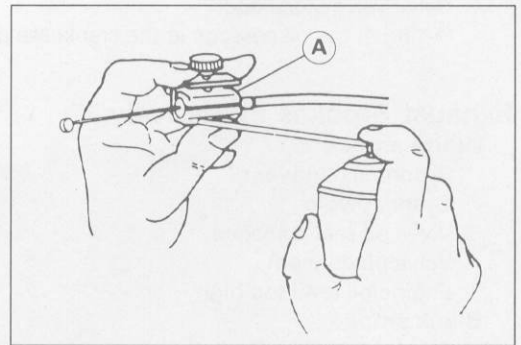
#### Points: Lubricate with Grease.

- Clutch Inner Cable Upper and Lower Ends
- Throttle Inner Cable Lower Ends
- Choke Inner Cable Lower End

#### Cables: Lubricate with Rust Inhibiter.

- Choke Cable
- Throttle Cables
- Clutch Cable

**Special Tool – Pressure Cable Luber: K56019-021 [A]**



## Nut, Bolt, and Fastener Tightness

### Tightness Inspection

- Check the tightness of the bolts and nuts listed here. Also, check to see that each cotter pin is in place and in good condition.

#### NOTE

○ For the engine fasteners, check the tightness of them when the engine is cold (at room temperature).

- ★ If there are loose fasteners, retorque them to the specified torque following the specified tightening sequence. Refer to the appropriate chapter for torque specifications. If torque specifications are not in the appropriate chapter, see the Standard Torque Table. For each fastener, first loosen it by 1/2 turn, then tighten it.

- ★ If cotter pins are damaged, replace them with new ones.

### Nut, Bolt and Fastener to be checked

#### Wheels:

- Front Axle Nut
- Front Axle Clamp Bolts
- Rear Axle Nut
- Rear Axle Nut Cotter Pin

#### Brakes:

- Front Master Cylinder Clamp Bolts
- Caliper Mounting Bolts
- Rear Master Cylinder Mounting Bolts
- Brake Lever Pivot Nut
- Brake Pedal Bolt
- Brake Rod Joint Cotter Pin

#### Suspension:

- Front Fork Clamp Bolts
- Front Fender Mounting Bolts
- Rear Shock Absorber Mounting Bolts
- Swingarm Pivot Shaft Nut
- Uni-Trak Link Nuts

#### Steering:

- Stem Head Nut
- Handlebar Mounting Bolts

#### Engine:

- Engine Mounting Bolts
- Cylinder Head Bolts
- Muffler Mounting Bolts
- Exhaust Pipe Holder Nuts
- Muffler Connecting Clamp Bolt
- Clutch Lever Pivot Nut

#### Others:

- Side Stand Bolt
- Footpeg Mounting Bolts
- Footpeg Bracket Mounting Bolts

# 16-10 APPENDIX

## Unit Conversion Table

### Prefixes for Units:

Prefix	Symbol	Power
mega	M	x 1 000 000
kilo	k	x 1 000
centi	c	x 0.01
milli	m	x 0.001
micro	μ	x 0.000001

### Units of Mass:

kg	x	2.205	=	lb
g	x	0.03527	=	oz

### Units of Volume:

L	x	0.2642	=	gal (US)
L	x	0.2200	=	gal (imp)
L	x	1.057	=	qt (US)
L	x	0.8799	=	qt (imp)
L	x	2.113	=	pint (US)
L	x	1.816	=	pint (imp)
mL	x	0.03381	=	oz (US)
mL	x	0.02816	=	oz (imp)
mL	x	0.06102	=	cu in

### Units of Force:

N	x	0.1020	=	kg
N	x	0.2248	=	lb

---

kg	x	9.807	=	N
kg	x	2.205	=	lb

### Units of Length:

km	x	0.6214	=	mile
m	x	3.281	=	ft
mm	x	0.03937	=	in

### Units of Torque:

N-m	x	0.1020	=	kg-m
N-m	x	0.7376	=	ft-lb
N-m	x	8.851	=	in-lb

---

kg-m	x	9.807	=	N-m
kg-m	x	7.233	=	ft-lb
kg-m	x	86.80	=	in-lb

### Units of Pressure:

kPa	x	0.01020	=	kg/cm <sup>2</sup>
kPa	x	0.1450	=	psi
kPa	x	0.7501	=	cm Hg

---

kg/cm <sup>2</sup>	x	98.07	=	kPa
kg/cm <sup>2</sup>	x	14.22	=	psi
cm Hg	x	1.333	=	kPa

### Units of Speed:

km/h	x	0.6214	=	mph
------	---	--------	---	-----

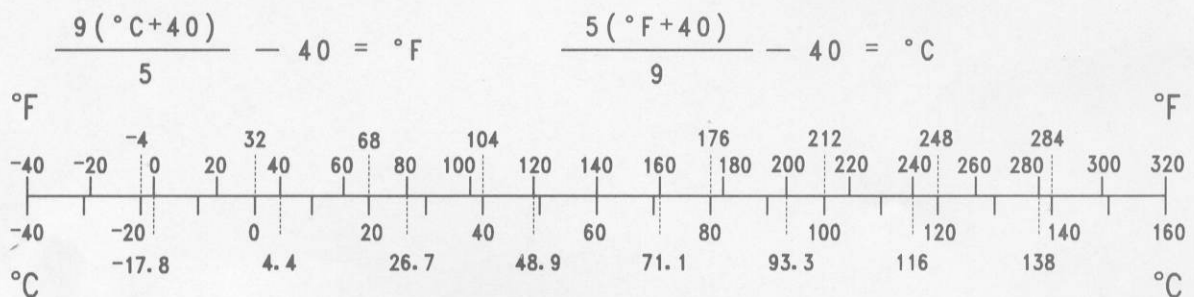
### Units of Power:

kW	x	1.360	=	PS
kW	x	1.341	=	HP

---

PS	x	0.7355	=	kW
PS	x	0.9863	=	HP

### Units of Temperature:



# ERRATA

99929-1276-01

1/2

Please correct the following points in the ZX600-G1/H1 Service Manual ( 99924-1226-01 ).

1 ) p. 4-5

**(Wrong)**

<b>Cylinder, Piston:</b> Piston diameter Piston/cylinder clearance	<del>65.940 ~ 65.960 mm</del> <del>0.040 ~ 0.072 mm</del>	<del>65.79 mm</del> - - -
--	--	------------------------------

**(Correct)**

<b>Cylinder, Piston:</b> Piston diameter: #1, #2 #3, #4 Piston/cylinder clearance: #1, #2 #3, #4	65.930 ~ 65.950 mm 65.910 ~ 65.920 mm 0.050 ~ 0.082 mm 0.080 ~ 0.102 mm	65.78 mm 65.76 mm - - - - - -
--	--	--

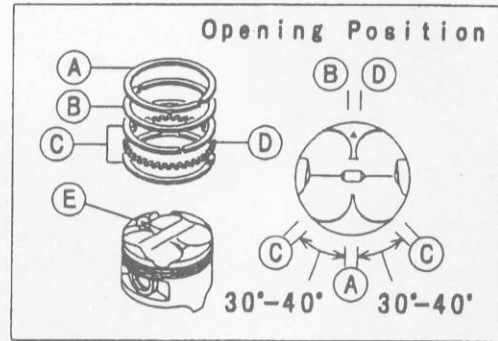
2 ) p. 4-26

**(Wrong)**

- The piston ring openings must be positioned as shown in the figure. The openings of the oil ring steel rails must be about 30 - 40° of angle from the opening of the top ring.

- [A] Top Ring
- [B] Second Ring
- [C] Oil Ring Steel Rails
- [D] Oil Ring Expander
- [E] Hollow

- Install the piston with its marking hollow facing forward.



**CAUTION**

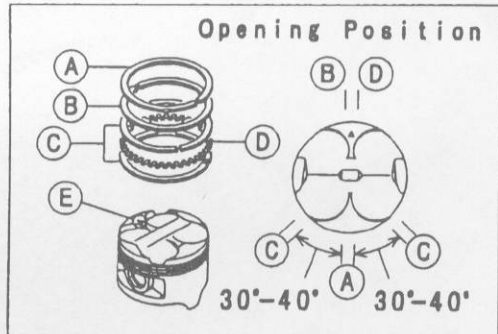
~~Do not reuse snap rings, as removal weakens and deforms them. They could fall out and score the cylinder wall.~~

**(Correct)**

- The piston ring openings must be positioned as shown in the figure. The openings of the oil ring steel rails must be about 30 - 40° of angle from the opening of the top ring.

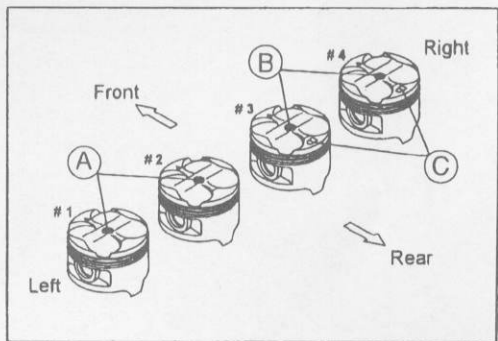
- [A] Top Ring
- [B] Second Ring
- [C] Oil Ring Steel Rails
- [D] Oil Ring Expander
- [E] Hollow

- Be sure to identify the pistons as follows:
  - #1 and #2 pistons have blue paint [A] on each top.
  - #3 and #4 pistons have yellow paint [B] and "B" mark [C] on each top.
- Install the piston with its marking hollow facing forward.



**CAUTION**

Be sure to install the pistons in the correct positions as shown in the figure, or the pistons or cylinder could be damaged. Do not reuse snap rings, as removal weakens and deforms them. They could fall out and score the cylinder wall.



3 ) p. 4-27

**(Wrong)**

**(Correct)**

**Piston Diameter**  
~~Standard: 65.940 ~ 65.960 mm~~  
~~Service Limit: 65.79 mm~~

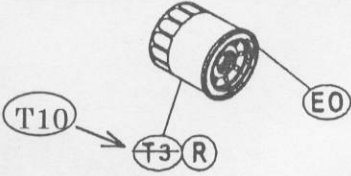
**Piston Diameter**

	Standard	Service Limit
#1, #2	65.930 ~ 65.950 mm	65.78 mm
#3, #4	65.910 ~ 65.920 mm	65.76 mm

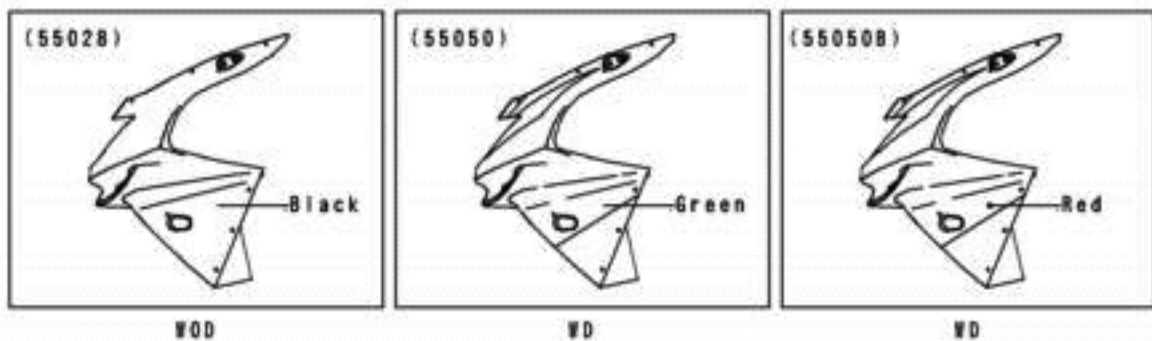
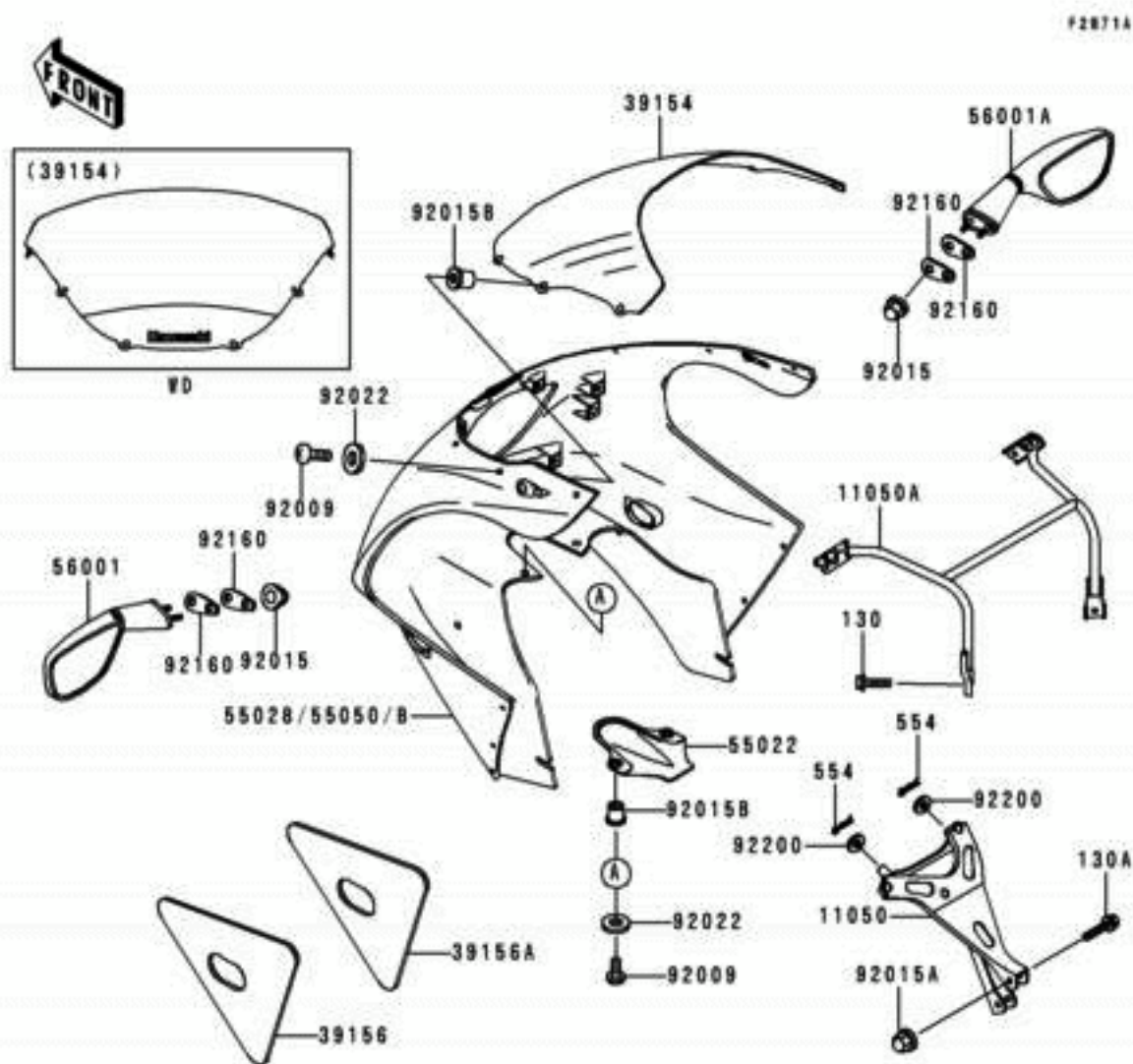


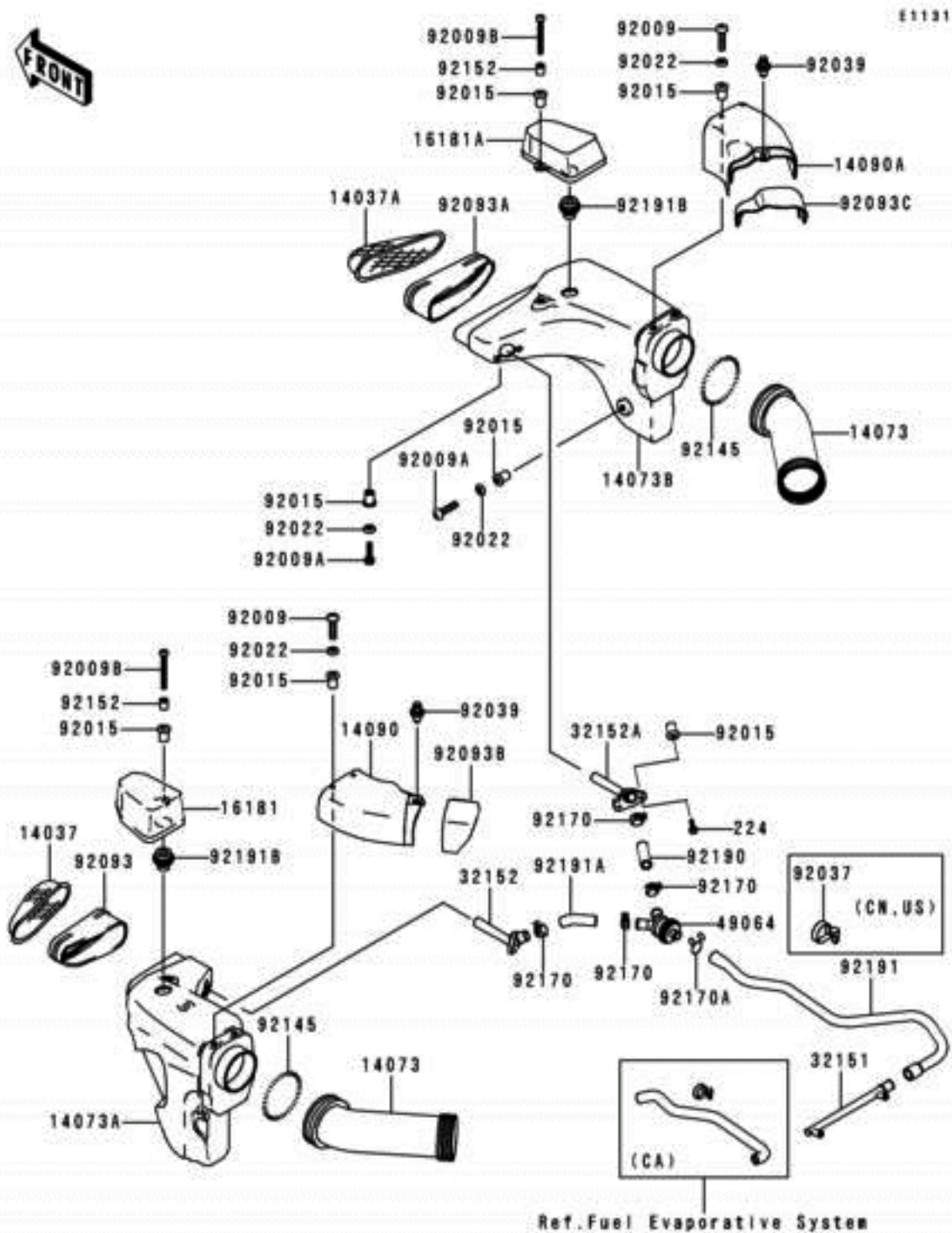
## ERRATA

Please correct the oil filter tightening torque in the ZX600-G1/H1 service manual (P/No. 99924-1226-01) as shown below.

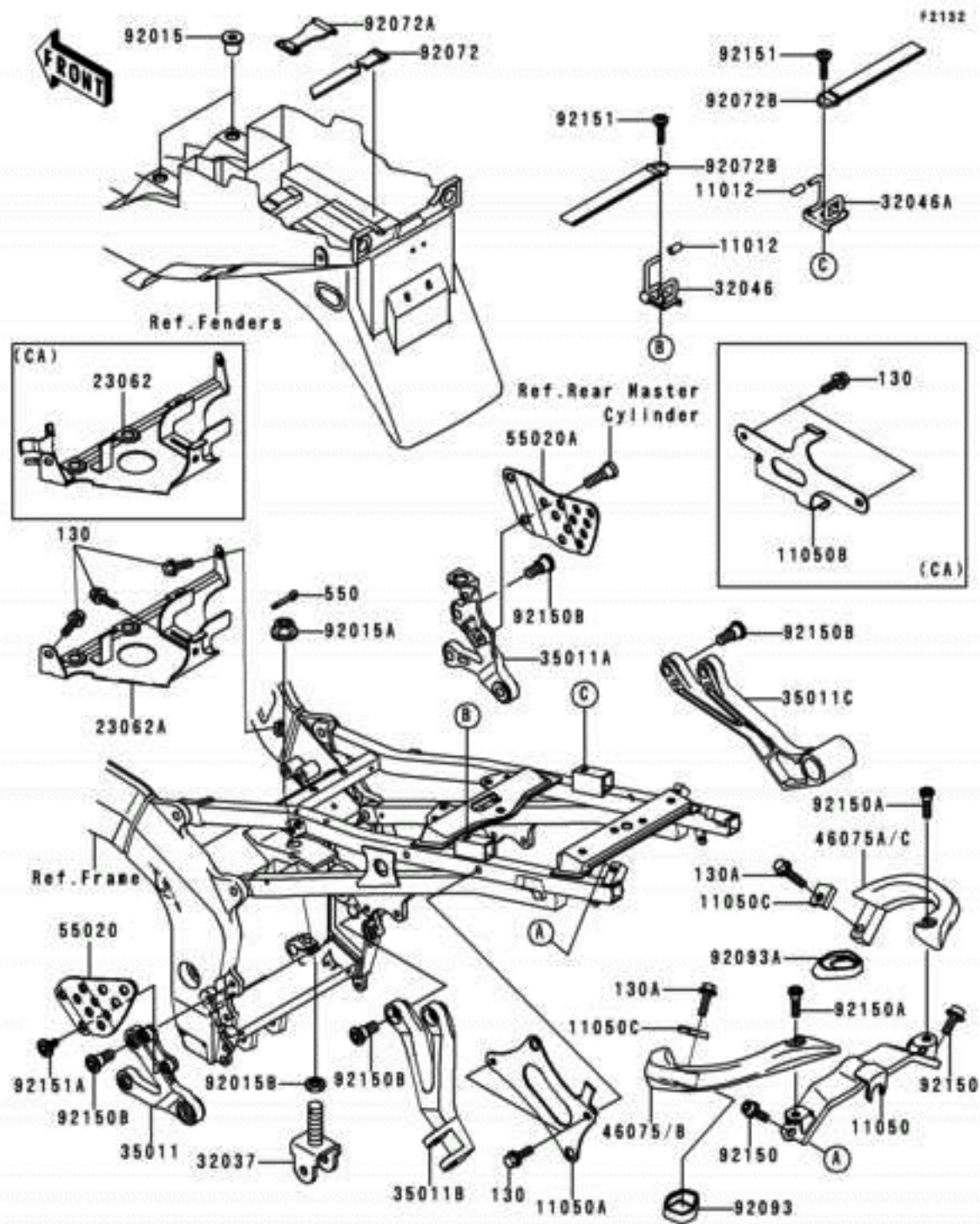
Page	Correction			
1-20	Fastener	N-m	kg-m	ft-lb
	<b>Engine Lubrication System</b>	<b>27</b>	<b>2.7</b>	<b>19.5 ft-lb</b>
	Oil Filter (Cartridge Type)	9.8	1.0	87 in-lb
6-2	 <p style="text-align: right;">T10: 27 N-m (2.7 kg-m, 19.5 ft-lb)</p>			
6-6	<ul style="list-style-type: none"> <li>● Replace the filter with a new one.</li> <li>● Apply engine oil to the gasket [A] before installation.</li> <li>● Tighten the filter with the oil filter wrench. <del>or with hand about 3/4 turns</del> —after the gasket contacts the mounting surface of the oil cooler.</li> </ul> <p style="text-align: center;"><b>27            2.7            19.5 ft-lb</b></p> <p style="text-align: center;"><b>Torque - Oil Filter: 9.8 N-m (1.0 kg-m, 87 in-lb)</b></p> <ul style="list-style-type: none"> <li>● Pour in the specified type and amount of oil (See engine Oil Change).</li> </ul> <p style="text-align: center;"><b>NOTE</b></p> <ul style="list-style-type: none"> <li>○ Hand tightening of the oil filter can not be allowed since it does not reach to this tightening torque.</li> </ul>			

Ref #	Part #	Description	Qty	Spec Code	Price
130	130J0614	<b>INFO</b> BOLT-FLANGED,6X14,BLACK	2		
130A	130J0830	<b>INFO</b> BOLT-FLANGED,8X30	2		
554	554A1200	<b>INFO</b> PIN-SNAP,12MM	2		
11050	11050-1437	<b>INFO</b> BRACKET,UPP COWLING	1		
11050A	11050-1640	<b>INFO</b> BRACKET,MIRROR	1		
39154	39154-5010	<b>INFO</b> WINDSHIELD	1		
39156	39156-1622	<b>INFO</b> PAD,UPP COWLING,LH	1		
39156A	39156-1623	<b>INFO</b> PAD,UPP COWLING,RH	1		
55022	55022-1082	<b>INFO</b> COVER-HEAD LAMP	1		
55028	55028-1365-20	<b>INFO</b> COWLING,UPP,P.P.BLACK MICA	1		
55050	55050-5253-7F	<b>INFO</b> COWLING-ASSY.,UPP,L.GREEN	1		
55050B	55050-5260-B1	<b>INFO</b> COWLING-ASSY.,UPP,F.RED	1	[CN]	
56001	56001-1483	<b>INFO</b> MIRROR-ASSY,LH	1		
56001A	56001-1484	<b>INFO</b> MIRROR-ASSY,RH	1		
92009	92009-1654	<b>INFO</b> SCREW,5X16	8		
92015	92015-1170	<b>INFO</b> NUT,CAP,6MM,BLACK	4		
92015A	92015-1174	<b>INFO</b> NUT,CAP,8MM,BLACK	2		
92015B	92015-1757	<b>INFO</b> NUT,WELL,5MM	8		
92022	92022-1521	<b>INFO</b> WASHER,NYLON,5.3X11.5X1.5	8		
92160	92160-1089	<b>INFO</b> DAMPER,MIRROR	4		
92200	92200-1174	<b>INFO</b> WASHER,12.5X22X1.2	2		





Ref #	Part #	INFO	Description	Qty	Spec Code	Price
224	224C0520	INFO	SCREW-PAN-WP-CROS	4		
14037	14037-1254	INFO	SCREEN, DUCT, LH	1		
14037A	14037-1255	INFO	SCREEN	1		
14073	14073-1720	INFO	DUCT, INNER	2		
14073A	14073-1732-E4	INFO	DUCT, RAM, LH, M.F.C. GRAY	1		
14073B	14073-1733-E4	INFO	DUCT, RAM, RH, M.F.C. GRAY	1		
14090	14090-1918-E4	INFO	COVER, RAM DUCT, LH, M.F.C. GRAY	1		
14090A	14090-1919-E4	INFO	COVER, RAM DUCT, RH, M.F.C. GRAY	1		
16181	16181-1091-E4	INFO	TANK-RESONATOR, LH, M.F.C. GRAY	1		
16181A	16181-1092-E4	INFO	TANK-RESONATOR, RH, M.F.C. GRAY	1		
32151	32151-1317	INFO	PIPE	1		
32152	32152-1628	INFO	PIPE, LH	1		
32152A	32152-1629	INFO	PIPE, RH	1		
49064	49064-1061	INFO	FILTER-AIR	1		
92009	92009-1654	INFO	SCREW, 5X16	4		
92009A	92009-1656	INFO	SCREW, 5X20	4		
92009B	92009-1847	INFO	SCREW, 5X35	2		
92015	92015-1757	INFO	NUT, WELL, 5MM	14		
92022	92022-1521	INFO	WASHER, NYLON, 5.3X11.5X1.5	8		
92037	92037-1903	INFO	CLAMP, SPEED, L=80.5	1	[CN, US]	
92039	92039-1227	INFO	RIVET	2		
92093	92093-1466	INFO	SEAL, DUCT, LH	1		
92093A	92093-1467	INFO	SEAL, DUCT, RH	1		
92093B	92093-1478	INFO	SEAL, COVER, LH	1		
92093C	92093-1479	INFO	SEAL, COVER, RH	1		
92145	92145-1162	INFO	SPRING, BOOT	2		
92152	92152-1103	INFO	COLLAR	2		
92170	92170-1909	INFO	CLAMP	4		
92170A	92170-1997	INFO	CLAMP	1		
92190	92190-1502	INFO	TUBE, RH	1		
92191	92191-1227	INFO	TUBE	1	[CN, US]	
92191A	92191-1273	INFO	TUBE, LH	1		
92191B	92191-1285	INFO	TUBE	2		

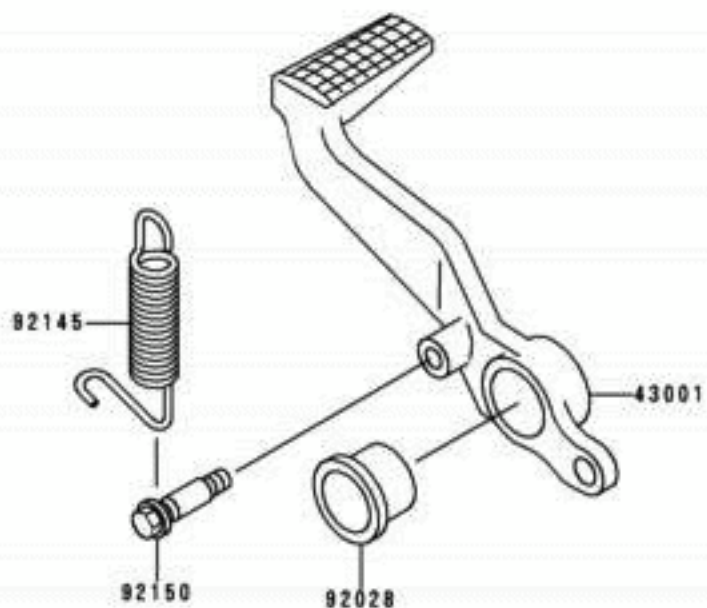


Ref #	Part #	Description	Qty	Spec Code	Price
130	130J0616	<b>INFO</b> BOLT-FLANGED,6X16,BLACK	5	[CN,US]	
130	130J0616	<b>INFO</b> BOLT-FLANGED,6X16,BLACK	7	[CA]	
11012	11012-1589	<b>INFO</b> CAP,BUNGEE CORD HOOK	2		
11050	11050-1645	<b>INFO</b> BRACKET, TAIL GRIP	1		
11050A	11050-1649	<b>INFO</b> BRACKET,IGNITER	1		
11050B	11050-1733	<b>INFO</b> BRACKET,CANISTER	1	[CA]	
11050C	11050-1797	<b>INFO</b> BRACKET, TAIL GRIP	2		
23062	23062-1125	<b>INFO</b> BRACKET-COMP,FUEL PUMP	1	[CA]	
23062A	23062-1127	<b>INFO</b> BRACKET-COMP,FUEL PUMP	1	[CN,US]	
32037	32037-1767	<b>INFO</b> BRACKET-SHOCKABSORBER	1		
32046	32046-1453	<b>INFO</b> BRACKET-SEAT,RR,LH	1		
32046A	32046-1454	<b>INFO</b> BRACKET-SEAT,RR,RH	1		
35011	35011-1874	<b>INFO</b> STAY,FR,STEP,LH,SILVER	1		
35011A	35011-1875	<b>INFO</b> STAY,FR,STEP,RH,SILVER	1		
35011B	35011-1878-TX	<b>INFO</b> STAY,RR STEP,LH,SILVER	1		
35011C	35011-1879-TX	<b>INFO</b> STAY,RR STEP,RH,SILVER	1		
46075B	46075-1171-21	<b>INFO</b> GRIP,RR,LH,F.BLACK	1		
46075C	46075-1172-21	<b>INFO</b> GRIP,RR,RH,F.BLACK	1		
55020	55020-1627	<b>INFO</b> GUARD,FR STEP STAY,LH	1		
55020A	55020-1628	<b>INFO</b> GUARD,FR STEP STAY,RH	1		
92015	92015-1700	<b>INFO</b> NUT	2		
92015A	92015-1881	<b>INFO</b> NUT,FLANGED,16MM	1		
92015B	92015-1953	<b>INFO</b> NUT,16MM	1		
92072	92072-1331	<b>INFO</b> BAND,L=470	1		
92072A	92072-1355	<b>INFO</b> BAND,U LOCK	1		
92072B	92072-1363	<b>INFO</b> BAND,L=122	2		
92093	92093-1476	<b>INFO</b> SEAL,REAR GRIP,LH	1		
92093A	92093-1477	<b>INFO</b> SEAL,REAR GRIP,RH	1		
92150	92150-1155	<b>INFO</b> BOLT, SOCKET,8X20	2		
92150A	92150-1735	<b>INFO</b> BOLT, SOCKET,8X40	2		
92150B	92150-1839	<b>INFO</b> BOLT, SOCKET,8X20	8		
92151	92151-1276	<b>INFO</b> BOLT,6X28	2		
92151A	92151-1334	<b>INFO</b> BOLT,6MM	2		
130A	130J0830	<b>INFO</b> BOLT-FLANGED,8X30	2		
550	550D4025	<b>INFO</b> PIN-COTTER,4.0X25	1		



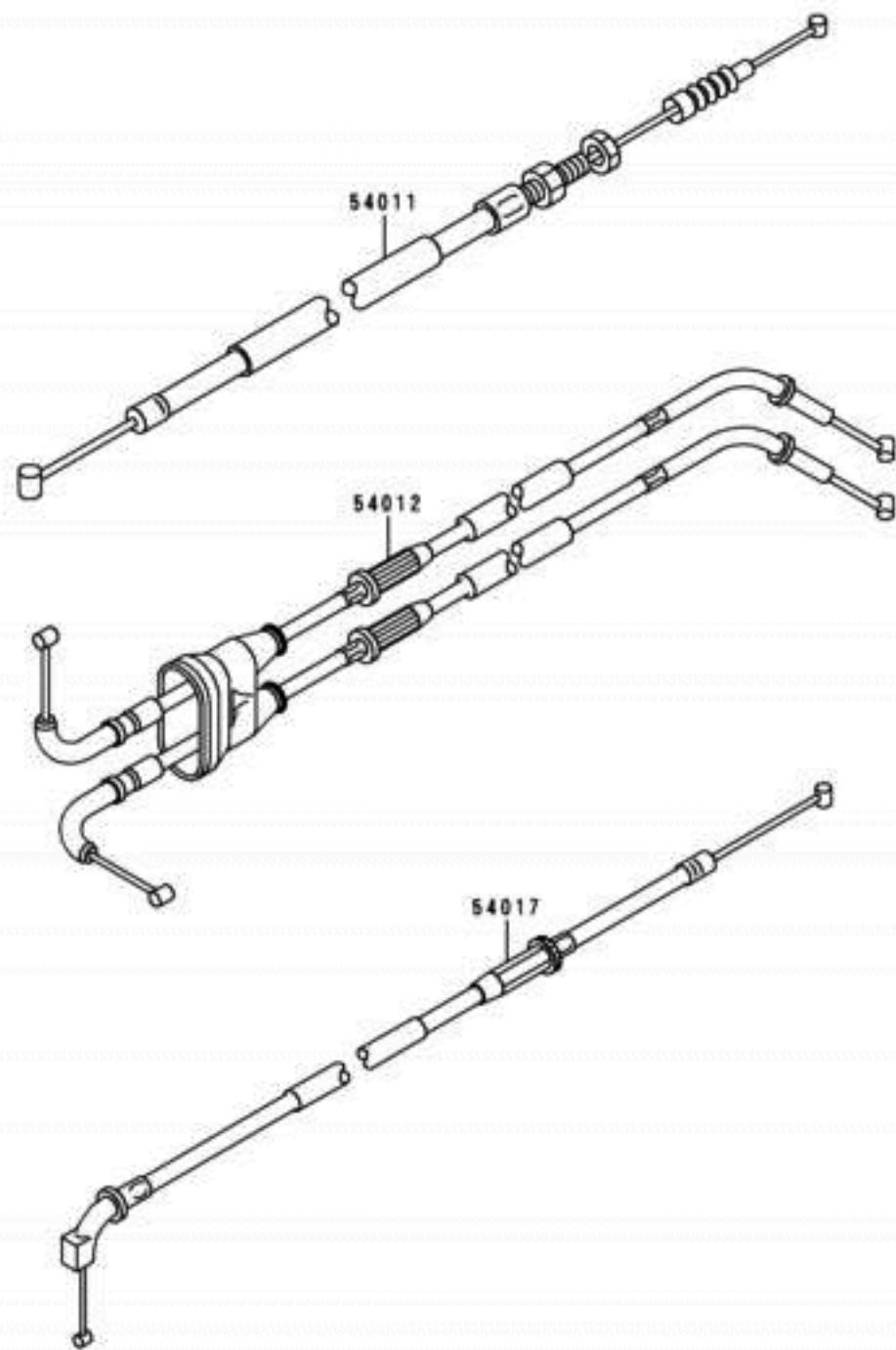
F2260

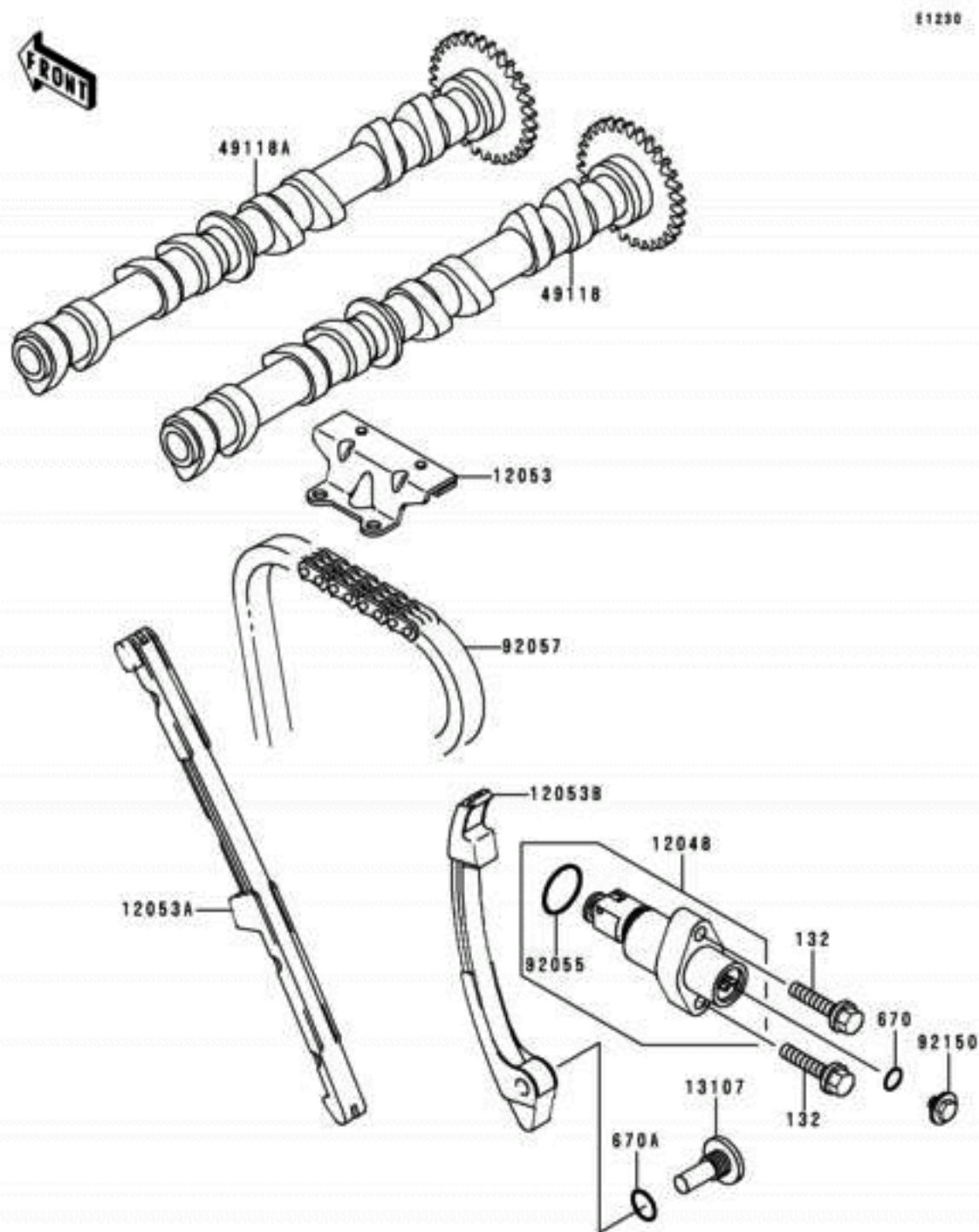
Ref #	Part #	INFO	Description	Qty	Spec Code	Price
43001	43001-1393	INFO	LEVER-BRAKE,PEDAL	1		
92028	92028-1576	INFO	BUSHING	1		
92145	92145-1090	INFO	SPRING,BRAKE PEDAL RETURN	1		
92150	92150-1439	INFO	BOLT	1		



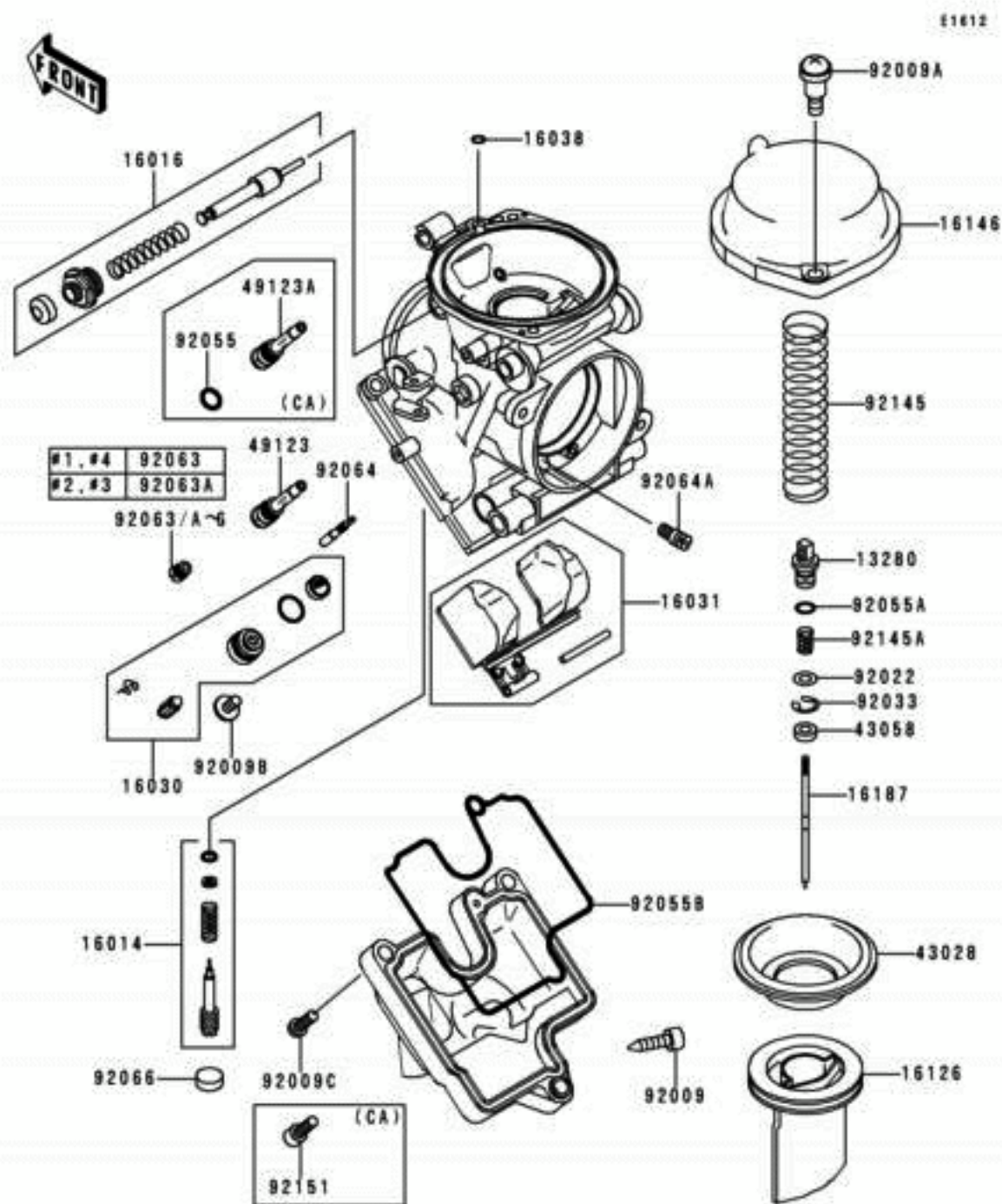
Ref #	Part #	Description	Qty	Spec Code	Price
54011	54011-1382	<b>INFO</b> CABLE-CLUTCH	1		
54012	54012-1566	<b>INFO</b> CABLE-THROTTLE	1		
54017	54017-1195	<b>INFO</b> CABLE-STARTER	1		

F2540



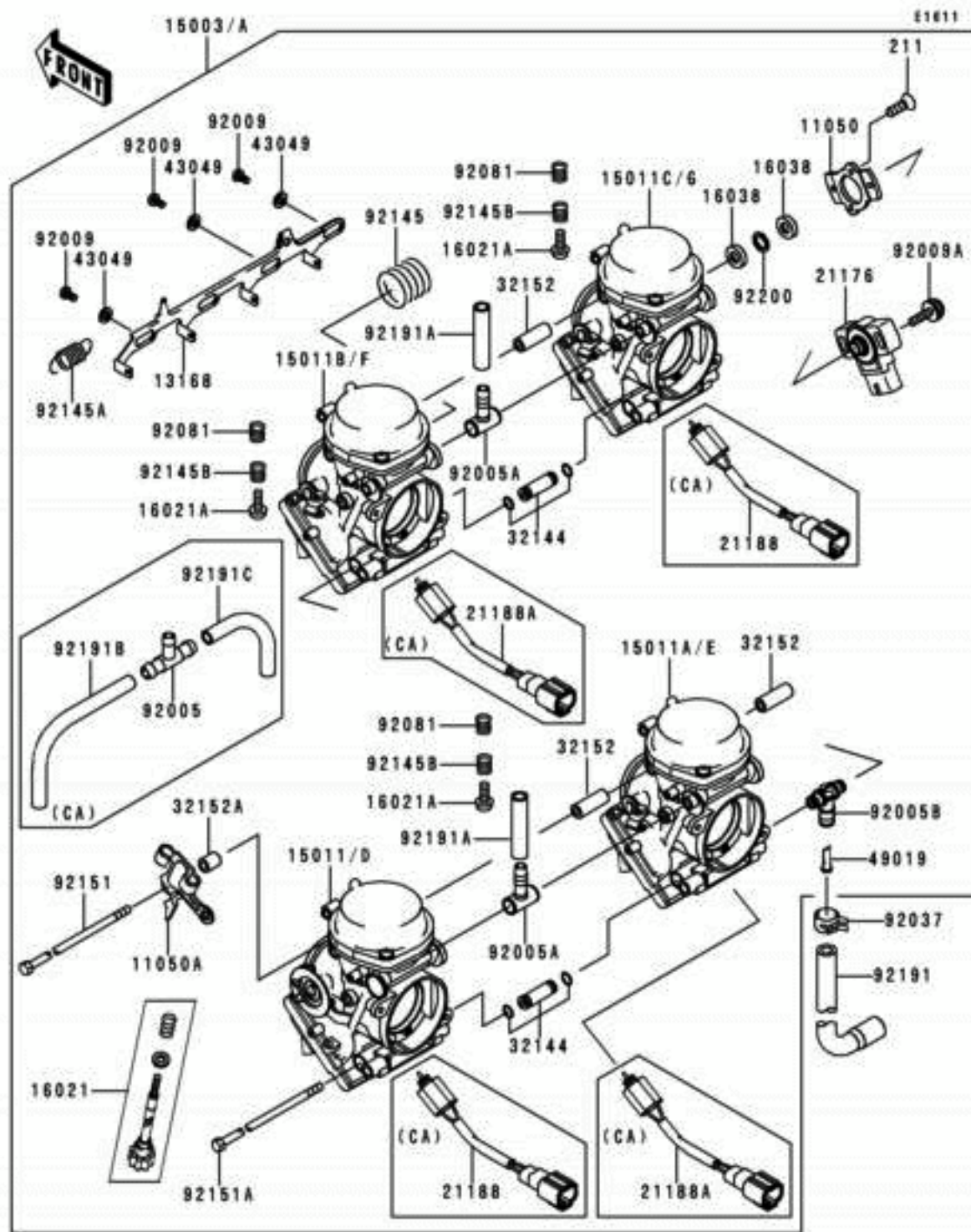


Ref #	Part #	Description	Qty	Spec Code	Price
132	132J0625	<b>INFO</b> BOLT-FLANGED-SMALL	2		
670	670D2010	<b>INFO</b> O RING	1		
670A	670D2014	<b>INFO</b> O RING, 14MM	1		
12048	12048-1159	<b>INFO</b> TENSIONER-ASSY	1		
12053	12053-1352	<b>INFO</b> GUIDE-CHAIN,UPP	1		
12053A	12053-1408	<b>INFO</b> GUIDE-CHAIN,FR	1		
12053B	12053-1409	<b>INFO</b> GUIDE-CHAIN,RR	1		
13107	13107-1226	<b>INFO</b> SHAFT	1		
49118	49118-1173	<b>INFO</b> CAMSHAFT-COMP,INTAKE	1		
49118A	49118-1174	<b>INFO</b> CAMSHAFT-COMP,EXHAUST	1		
92055	92055-1583	<b>INFO</b> RING-O, TENSIONER	1		
92057	92057-1397	<b>INFO</b> CHAIN,CAM, 92RH2015	1		
92150	92150-1380	<b>INFO</b> BOLT, TENSIONER	1		



Ref #	Part #	Description	Qty	Spec Code	Price
13280	13280-1095	<b>INFO</b> HOLDER	4		
16014	16014-1100	<b>INFO</b> SCREW-PILOT AIR	4		
16016	16016-1107	<b>INFO</b> PLUNGER, STARTER	4		
16030	16030-1088	<b>INFO</b> VALVE-FLOAT	4		
16031	16031-1096	<b>INFO</b> FLOAT	4		
16038	16038-022	<b>INFO</b> GASKET, \"O\"RING	4		
16126	16126-1363	<b>INFO</b> VALVE, VACUUM	4		
16146	16146-1197	<b>INFO</b> COVER-ASSY, MIXING	4		
16187	16187-1055	<b>INFO</b> NEEDLE-JET, 5E16	4		
43028	43028-1086	<b>INFO</b> DIAPHRAGM, VACUUM VALVE	4		
43058	43058-1094	<b>INFO</b> RING	4		
49123	49123-1051	<b>INFO</b> HOLDER-MAIN JET	4	[CN,US]	
49123A	49123-1052	<b>INFO</b> HOLDER-MAIN JET	4	[CA]	
92009	92009-1826	<b>INFO</b> SCREW, DRAIN	4		
92009A	92009-1850	<b>INFO</b> SCREW, MIXING COVER	8		
92009B	92009-1853	<b>INFO</b> SCREW, FLOAT VALVE	4		
92009C	92009-1854	<b>INFO</b> SCREW, FLOAT CHAMBER	12	[CN,US]	
92022	92022-1123	<b>INFO</b> WASHER, JET NEEDLE	4		
92033	92033-1299	<b>INFO</b> RING-SNAP	4		
92055	92055-1084	<b>INFO</b> RING-O	4	[CA]	
92055A	92055-1093	<b>INFO</b> RING-O, DRAIN PLUG	4		
92055B	92055-1588	<b>INFO</b> RING-O, FLOAT CHAMBER	4		
92063	92063-1431	<b>INFO</b> JET-MAIN, #A137.5	2		
92063A	92063-1432	<b>INFO</b> JET-MAIN, #A140	2		
92063B	92063-1433	<b>INFO</b> JET-MAIN, #A130	AR	(OPTION)	
92063C	92063-1434	<b>INFO</b> JET-MAIN, #A132.5	AR	(OPTION)	
92063D	92063-1435	<b>INFO</b> JET-MAIN, #A135	AR	(OPTION)	
92063E	92063-1436	<b>INFO</b> JET-MAIN, #A142.5	AR	(OPTION)	
92063F	92063-1437	<b>INFO</b> JET-MAIN, #A145	AR	(OPTION)	
92063G	92063-1438	<b>INFO</b> JET-MAIN, #A147.5	AR	(OPTION)	
92064	92064-1195	<b>INFO</b> JET-PILOT, #12.5	4		
92064A	92064-1196	<b>INFO</b> JET-PILOT, #A120	4		
92066	92066-1501	<b>INFO</b> PLUG, PILOT AIR SCREW	4		
92145	92145-1182	<b>INFO</b> SPRING, VACUUM VALVE	4		
92145A	92145-1183	<b>INFO</b> SPRING	4		
92151	92151-1406	<b>INFO</b> BOLT, FLOAT CHAMBER	12	[CA]	



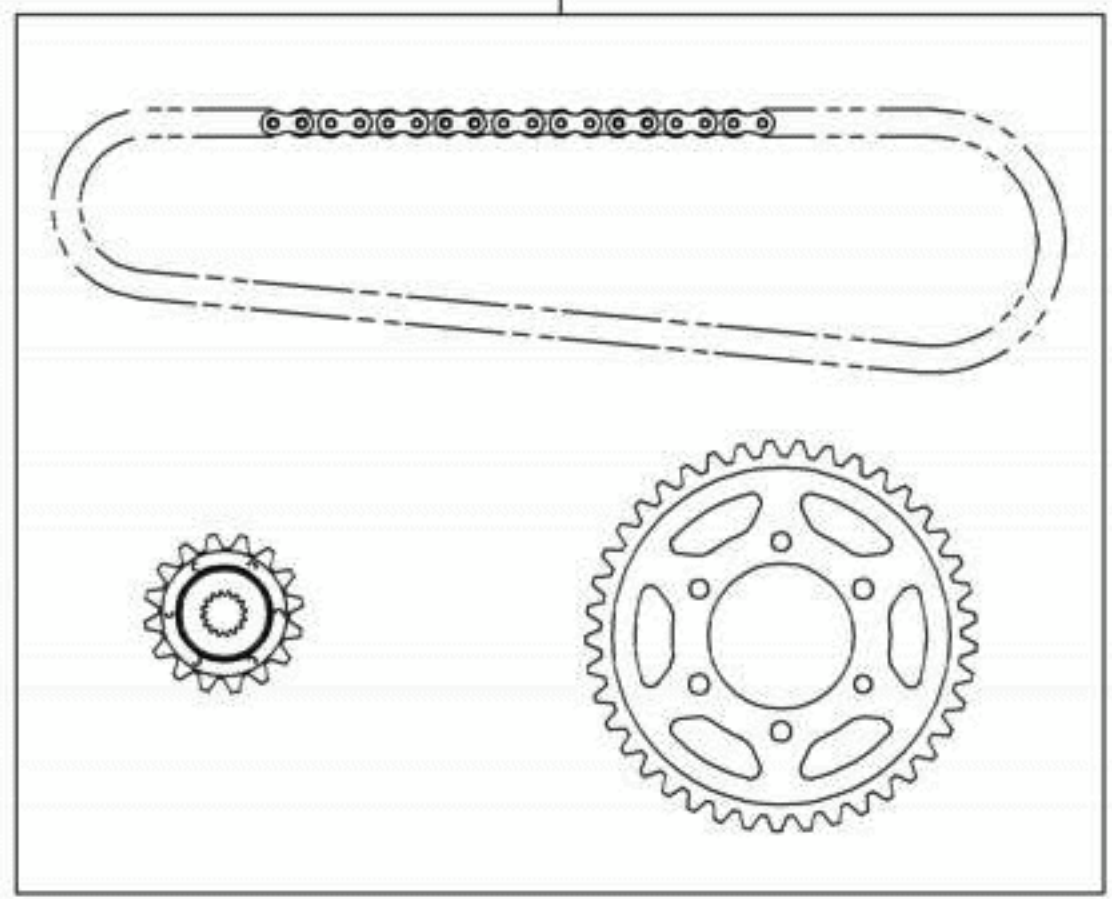


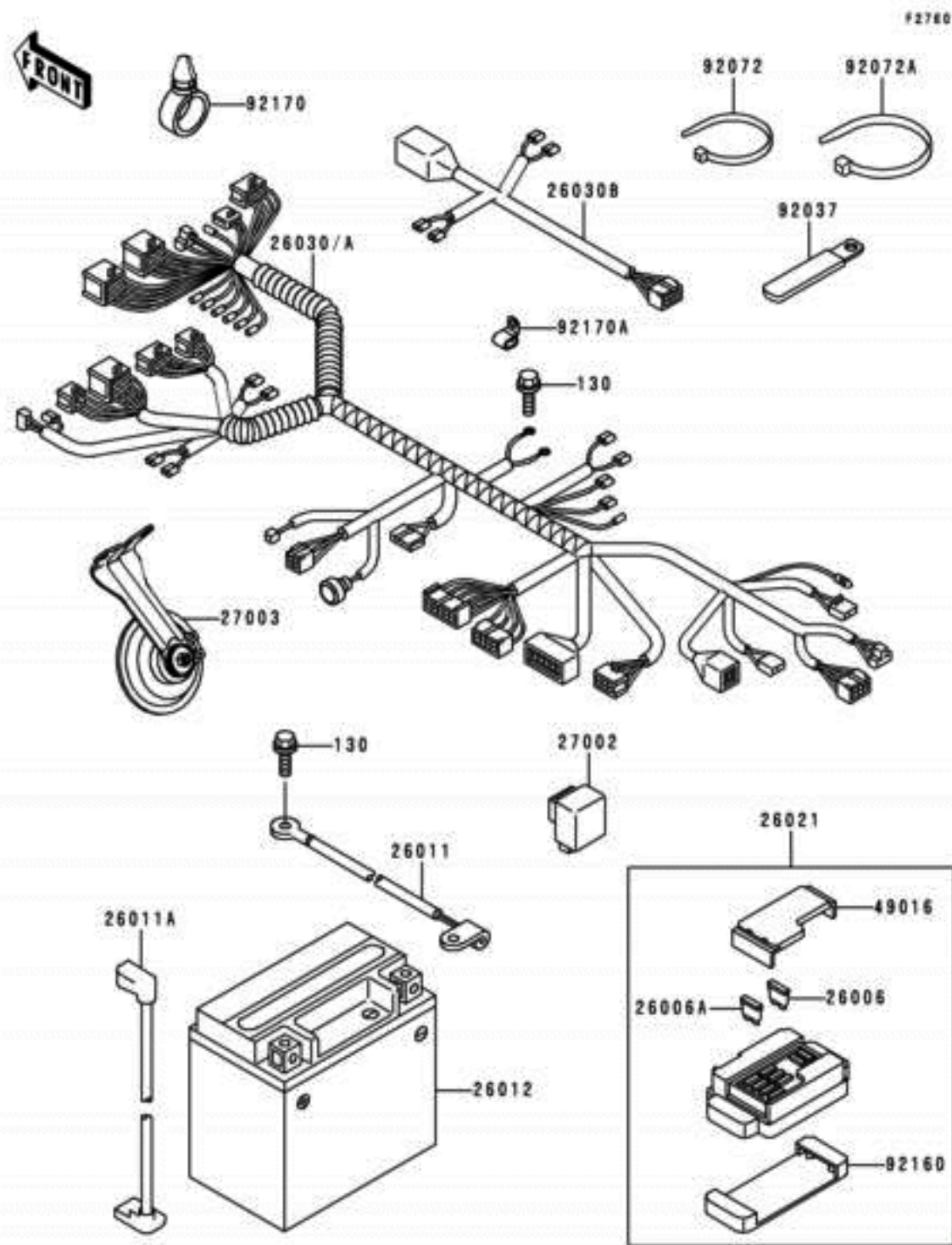
Ref #	Part #	INFO	Description	Qty	Spec Code	Price
11050	11050-1919	INFO	BRACKET,SENSOR	1		
11050A	11050-1920	INFO	BRACKET,THROTTLE CABLE	1		
13168	13168-1653	INFO	LEVER,STARTER	1		
15003	15003-1408	INFO	CARBURETOR-ASSY	1	[CN,JS]	
15003A	15003-1420	INFO	CARBURETOR-ASSY	1	[CA]	
15011	15011-1498	INFO	CARBURETOR,LH,OUTSIDE	1	[CA]	
15011A	15011-1499	INFO	CARBURETOR,LH,INSIDE	1	[CA]	
15011B	15011-1500	INFO	CARBURETOR,RH,INSIDE	1	[CA]	
15011C	15011-1501	INFO	CARBURETOR,RH,OUTSIDE	1	[CA]	
15011D	15011-1502	INFO	CARBURETOR,LH,OUTSIDE	1	[CN,JS]	
15011E	15011-1503	INFO	CARBURETOR,LH,INSIDE	1	[CN,JS]	
15011F	15011-1504	INFO	CARBURETOR,RH,INSIDE	1	[CN,JS]	
15011G	15011-1505	INFO	CARBURETOR,RH,OUTSIDE	1	[CN,JS]	
16021	16021-1222	INFO	SCREW-THROTTLE STOP	1		
16021A	16021-2060	INFO	SCREW,THROTTLE ADJUST	3		
16038	16038-020	INFO	GASKET,8MM	2		
21176	21176-1083	INFO	SENSOR	1		
21188	21188-1006	INFO	SOLENOID,#1□	2	[CA]	
21188A	21188-1007	INFO	SOLENOID,#2□	2	[CA]	
32144	32144-1007	INFO	PIPE-ASSY	2		
32152	32152-1793	INFO	PIPE	3		
32152A	32152-1794	INFO	PIPE	1		
43049	43049-1085	INFO	PACKING,STARTER LEVER	3		
49019	49019-1085	INFO	FILTER-FUEL	1		
92005	92005-1304	INFO	FITTING	1	[CA]	
92005A	92005-1353	INFO	FITTING	2		
92005B	92005-1354	INFO	FITTING	1		
92009	92009-1851	INFO	SCREW,STARTER LEVER	3		
92009A	92009-1855	INFO	SCREW,SENSOR	2		
221	221B0408	INFO	SCREW-CSK-CROS	2		
92037	92037-1181	INFO	CLAMP	1		
92081	92081-2008	INFO	SPRING,THROTTLE ADJUST SCREW	3		
92145	92145-1179	INFO	SPRING,THROTTLE ADJUST,CNT	1		
92145A	92145-1180	INFO	SPRING,TENSION	1		
92145B	92145-1184	INFO	SPRING,THROTTLE ADJUST	3		
92151	92151-1404	INFO	BOLT,CARBURETOR,UPP	1		
92151A	92151-1405	INFO	BOLT,CARBURETOR,LWR	1		
92191	92191-1253	INFO	TUBE,FUEL	1		
92191A	92191-1277	INFO	TUBE	2		
92191B	92191-1278	INFO	TUBE	1	[CA]	
92191C	92191-1279	INFO	TUBE	1	[CA]	
92200	92200-1435	INFO	WASHER,SENSOR	1		

Ref #	Part #	Description	Qty	Spec Code	Price
99996	99996-1267	<b>INFO</b> CHAIN KIT, 15TX40TX108L	1		

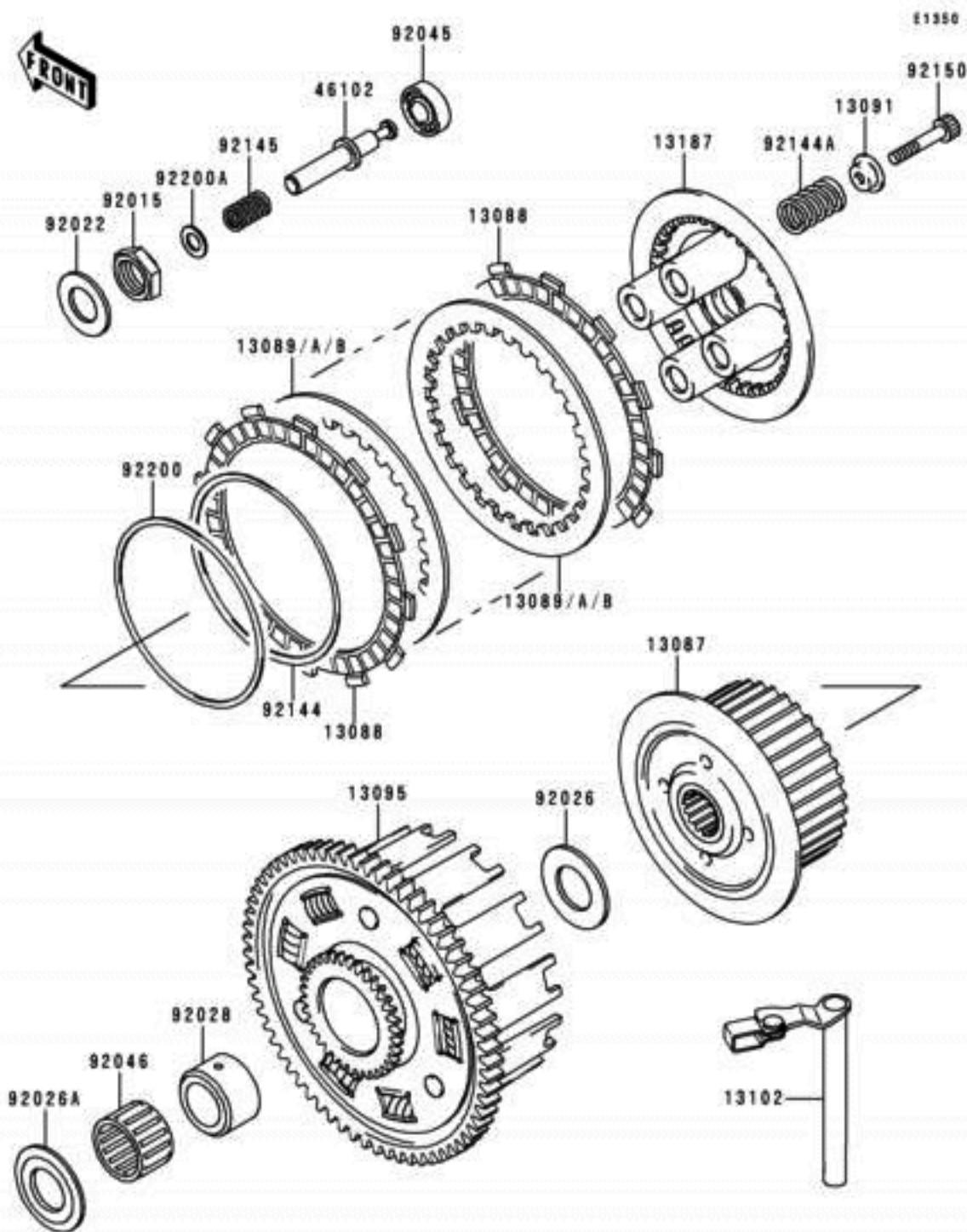
F2007

99996

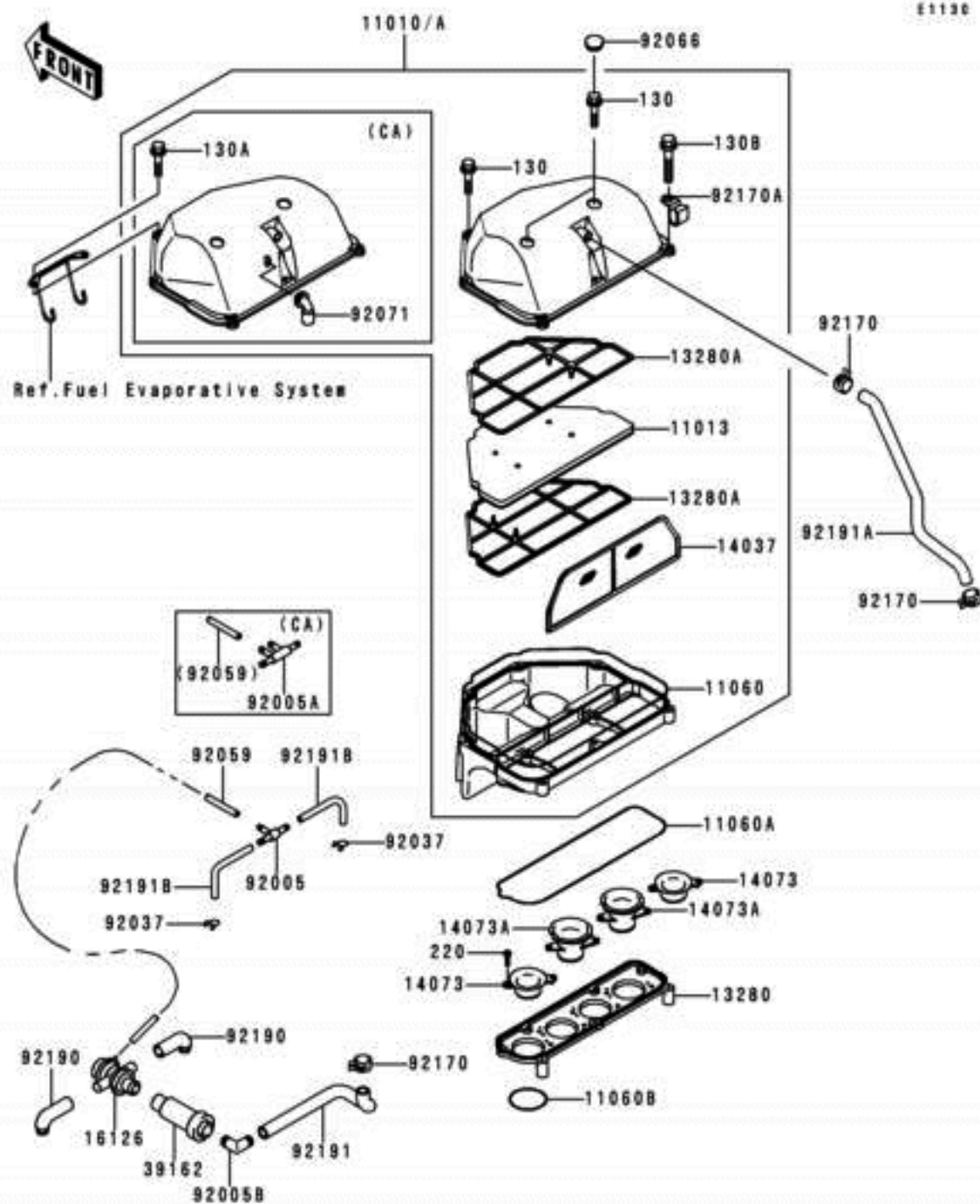




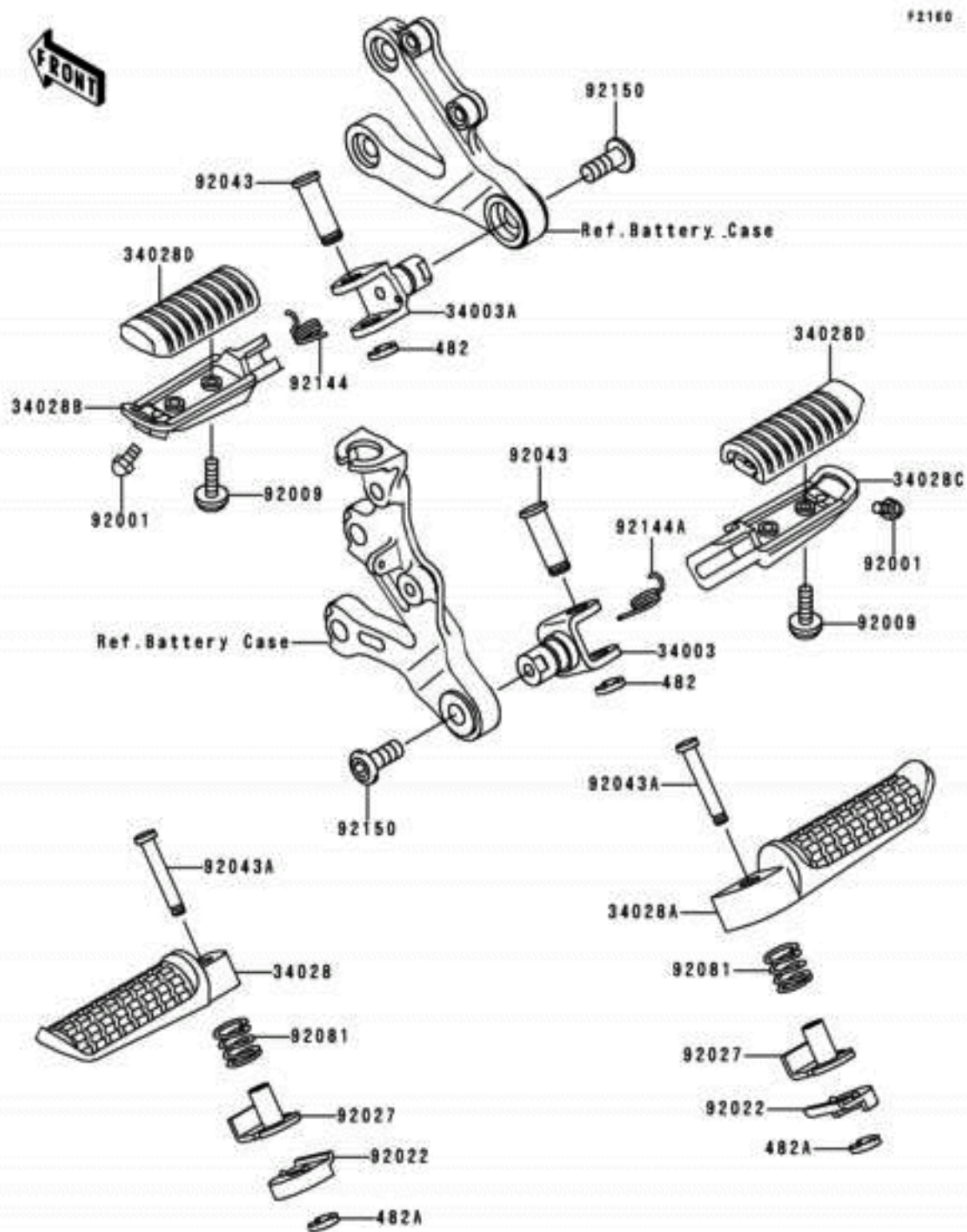
Ref #	Part #	Description	Qty	Spec Code	Price
130	130V0610	<b>INFO</b> BOLT-FLANGED,6X10	2		
26006	26006-1067	<b>INFO</b> FUSE,30A-G	1		
26006A	26006-1068	<b>INFO</b> FUSE,10A-R	8		
26011	26011-1692	<b>INFO</b> WIRE-LEAD,BATTERY(-)	1		
26011A	26011-1693	<b>INFO</b> WIRE-LEAD,BATTERY(+)	1		
26012	26012-1326	<b>INFO</b> BATTERY,YTX9-BS,12V 8AH	1		
26021	26021-1096	<b>INFO</b> JUNCTION BOX	1		
26030	26030-1552	<b>INFO</b> HARNESS,MAIN	1	[CA]	
26030A	26030-1553	<b>INFO</b> HARNESS,MAIN	1	[CN,US]	
26030B	26030-1567	<b>INFO</b> HARNESS,FR	1		
27002	27002-1101	<b>INFO</b> RELAY-ASSY	1		
27003	27003-1409	<b>INFO</b> HORN	1		
49016	49016-1177	<b>INFO</b> COVER-SEAL,FUSE	1		
92037	92037-1069	<b>INFO</b> CLAMP,WIRING HARNESS,L=60	2		
92072	92072-1195	<b>INFO</b> BAND,L=185	2		
92072A	92072-1197	<b>INFO</b> BAND,L=365	1		
92160	92160-1650	<b>INFO</b> DAMPER,JUNCTION BOX	1		
92170	92170-1067	<b>INFO</b> CLAMP	2		
92170A	92170-1577	<b>INFO</b> CLAMP	3		



Ref #	Part #	Description	Qty	Spec Code	Price
13087	13087-1159	<b>INFO</b> HUB-CLUTCH	1		
13088	13088-1124	<b>INFO</b> PLATE-FRICTION	9		
13089	13089-1073	<b>INFO</b> PLATE-CLUTCH,T=2.0	AR		
13089A	13089-1084	<b>INFO</b> PLATE-CLUTCH,T=2.3	8		
13089B	13089-1115	<b>INFO</b> PLATE-CLUTCH,T=2.6	AR		
13091	13091-1041	<b>INFO</b> HOLDER,CLUTCH SPRING	4		
13095	13095-1362	<b>INFO</b> HOUSING-COMP-CLUTCH	1		
13102	13102-1125	<b>INFO</b> RELEASE-COMP-CLUTCH	1		
13187	13187-1079	<b>INFO</b> PLATE-CLUTCH OPERATING	1		
46102	46102-1415	<b>INFO</b> ROD,CLUTCH	1		
92015	92015-1555	<b>INFO</b> NUT,20MM	1		
92022	92022-1868	<b>INFO</b> WASHER	1		
92026	92026-022	<b>INFO</b> SPACER,25.5X47X2.5	1		
92026A	92026-1356	<b>INFO</b> SPACER	1		
92028	92028-1741	<b>INFO</b> BUSHING	1		
92045	92045-1235	<b>INFO</b> BEARING-BALL,6001C3ML01	1		
92046	92046-1263	<b>INFO</b> BEARING-NEEDLE	1		
92144	92144-1854	<b>INFO</b> SPRING, FRICTION PLATE	1		
92144A	92144-1881	<b>INFO</b> SPRING,CLUTCH OPERATING	4		
92145	92145-1159	<b>INFO</b> SPRING,ROD	1		
92150	92150-1855	<b>INFO</b> BOLT, CLUTCH OPERATING	4		
92200	92200-1260	<b>INFO</b> WASHER, FRICTION PLATE	1		
92200A	92200-1423	<b>INFO</b> WASHER, 11.2X18X0.5	1		



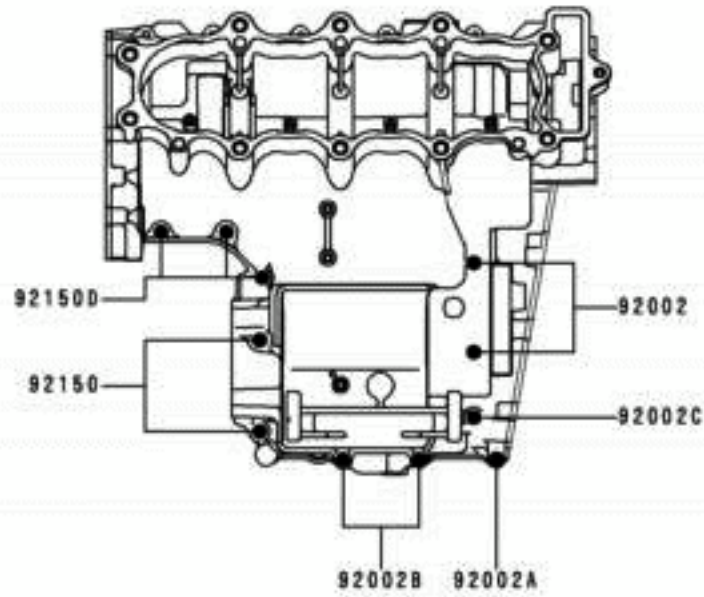
Ref #	Part #	Description	Qty	Spec Code	Price
130	130H0625	<b>INFO</b> BOLT-FLANGED,6X25	4	[CA]	
130	130H0625	<b>INFO</b> BOLT-FLANGED,6X25	6	[CN,US]	
130A	130H0630	<b>INFO</b> BOLT-FLANGED,6X30	2	[CA]	
130B	130H0645	<b>INFO</b> BOLT-FLANGED	3		
220	220D0520	<b>INFO</b> SCREW-PAN-CROSS	8		
11010	11010-1634	<b>INFO</b> FILTER-ASSY-AIR	1	[CN,US]	
11010A	11010-1635	<b>INFO</b> FILTER-ASSY-AIR	1	[CA]	
11013	11013-1274	<b>INFO</b> ELEMENT-AIR FILTER	1		
11060	11060-1845	<b>INFO</b> GASKET,AIR FILTER	1		
11060A	11060-1846	<b>INFO</b> GASKET,AIR FILTER	1		
11060B	11060-1847	<b>INFO</b> GASKET,CARBURETOR	4		
13280	13280-1071	<b>INFO</b> HOLDER,AIR FILTER	1		
13280A	13280-1072	<b>INFO</b> HOLDER,AIR FILTER ELEMENT	2		
14037	14037-1193	<b>INFO</b> SCREEN,AIR FILTER	1		
14073	14073-1715	<b>INFO</b> DUCT,#1□	2		
14073A	14073-1716	<b>INFO</b> DUCT,#2□	2		
16126	16126-1361	<b>INFO</b> VALVE,AIR SWITCH	1		
39162	39162-1091	<b>INFO</b> SILENCER-INTAKE	1		
92005	92005-1017	<b>INFO</b> FITTING,TUBE,T-TYPE	1	[CN,US]	
92005A	92005-1307	<b>INFO</b> FITTING	1	[CA]	
92005B	92005-1309	<b>INFO</b> FITTING	1		
92037	92037-1712	<b>INFO</b> CLAMP	2		
92059	92059-1230	<b>INFO</b> TUBE,FUEL,4X9X140	1		
92066	92066-1389	<b>INFO</b> PLUG	2		
92071	92071-1114	<b>INFO</b> GROMMET,AIR FILTER	1	[CA]	
92170	92170-1060	<b>INFO</b> CLAMP	3		
92170A	92170-1577	<b>INFO</b> CLAMP	1		
92190	92190-1581	<b>INFO</b> TUBE,AIR FILTER-VALVE	2		
92191	92191-1230	<b>INFO</b> TUBE,AIR FILTER-SWITCH	1		
92191A	92191-1242	<b>INFO</b> TUBE,BLOWBY	1		
92191B	92191-1262	<b>INFO</b> TUBE	2		



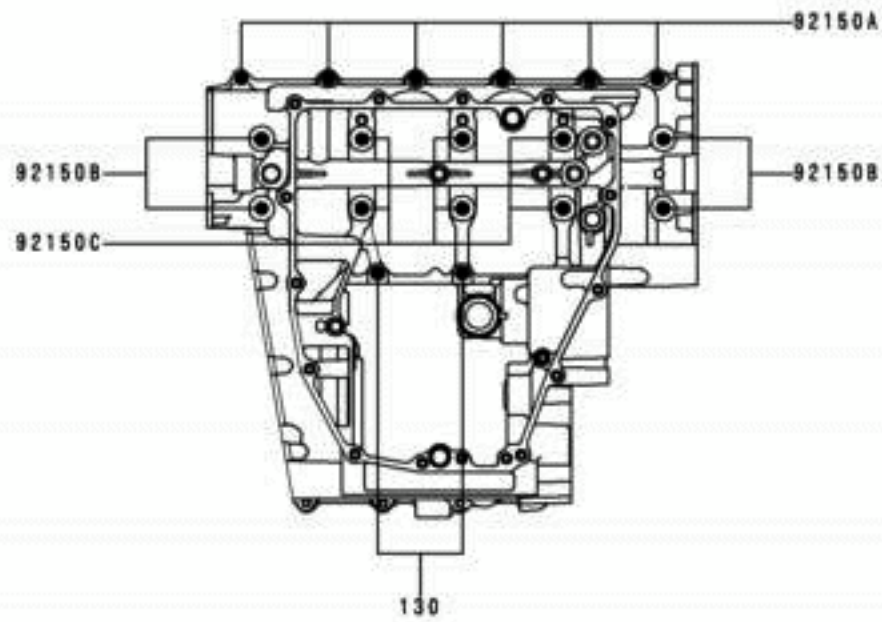
Ref #	Part #	DESCRIPTION	Qty	Spec Code	Price
482	482L0100	<b>INFO</b> CIRCLIP-TYPE-E,10MM	2		
482A	482L5000	<b>INFO</b> CIRCLIP-TYPE-E,5MM	2		
34003	34003-1327	<b>INFO</b> HOLDER-STEP	1		
34003A	34003-1474	<b>INFO</b> HOLDER-STEP	1		
34028	34028-1191	<b>INFO</b> STEP,RR,LH	1		
34028A	34028-1192	<b>INFO</b> STEP,RR,RH	1		
34028B	34028-1428	<b>INFO</b> STEP,FR,LH	1		
34028C	34028-1429	<b>INFO</b> STEP,FR,RH	1		
34028D	34028-1430	<b>INFO</b> STEP,FR,RUBBER	2		
92001	92001-1905	<b>INFO</b> BOLT,6X10	2		
92009	92009-1404	<b>INFO</b> SCREW,5X14	4		
92022	92022-1507	<b>INFO</b> WASHER,STEP,RR	2		
92027	92027-1732	<b>INFO</b> COLLAR,STEP	2		
92043	92043-1144	<b>INFO</b> PIN,12X37	2		
92043A	92043-1238	<b>INFO</b> PIN,6X38.5	2		
92081	92081-1612	<b>INFO</b> SPRING,STEP,RR	2		
92144	92144-1567	<b>INFO</b> SPRING,STEP RETURN,LH	1		
92144A	92144-1568	<b>INFO</b> SPRING,STEP RETURN	1		
92150	92150-1268	<b>INFO</b> BOLT, SOCKET,10X25	2		

81412

Upper Case



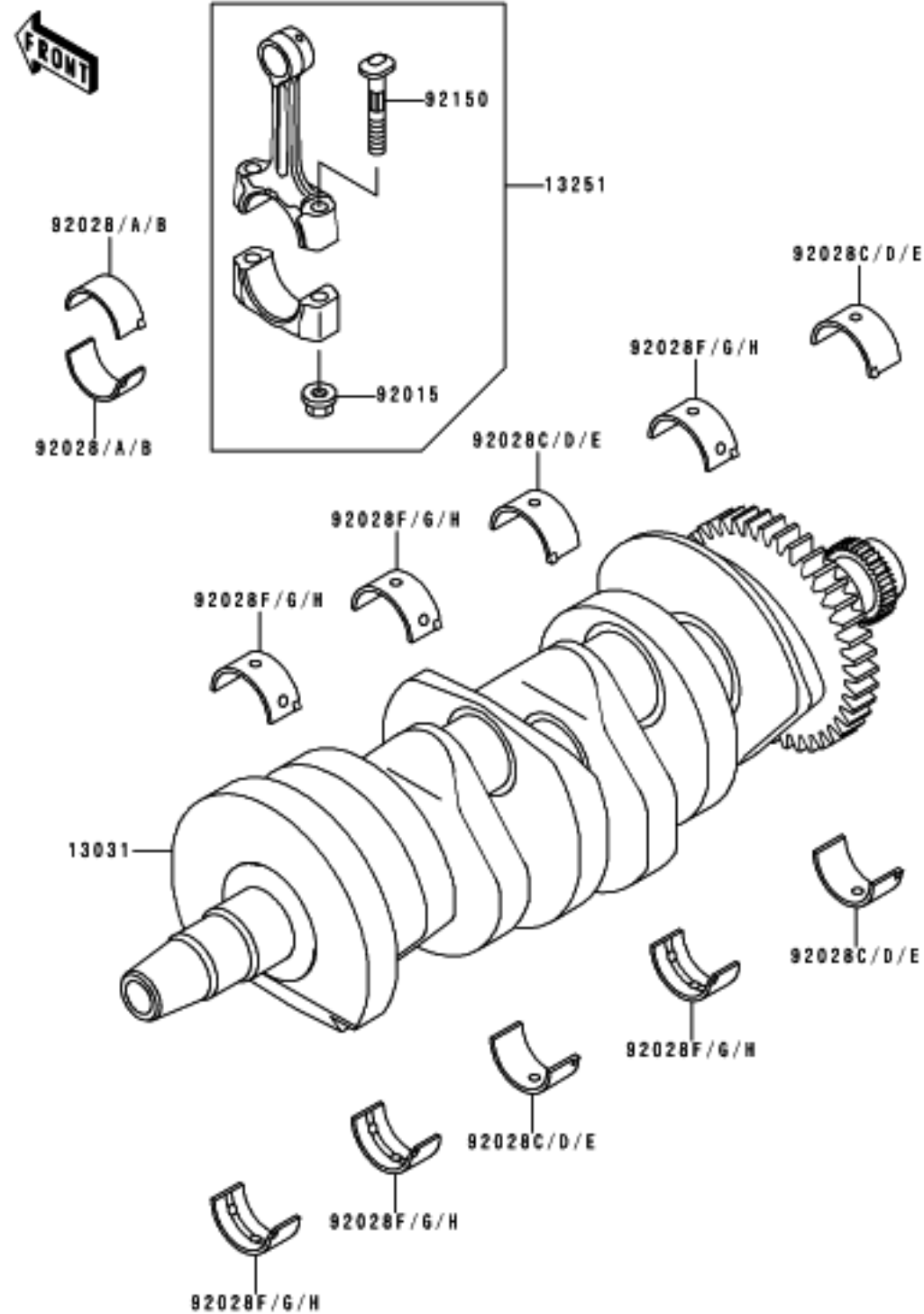
Lower Case



Ref #	Part #	Description	Qty	Spec Code	Price
130	130P0675	<b>INFO</b> BOLT-FLANGED	2		
92002	92002-1078	<b>INFO</b> BOLT,6X95	2		
92002A	92002-1079	<b>INFO</b> BOLT,6X50	1		
92002B	92002-1140	<b>INFO</b> BOLT,6X65	2		
92002C	92002-1306	<b>INFO</b> BOLT,6X85	1		
92150	92150-1250	<b>INFO</b> BOLT,7X70	2		
92150A	92150-1301	<b>INFO</b> BOLT,6X38	6		
92150B	92150-1856	<b>INFO</b> BOLT,8X99	4		
92150C	92150-1857	<b>INFO</b> BOLT,8X76	6		
92150D	92150-1862	<b>INFO</b> BOLT,6X35	3		



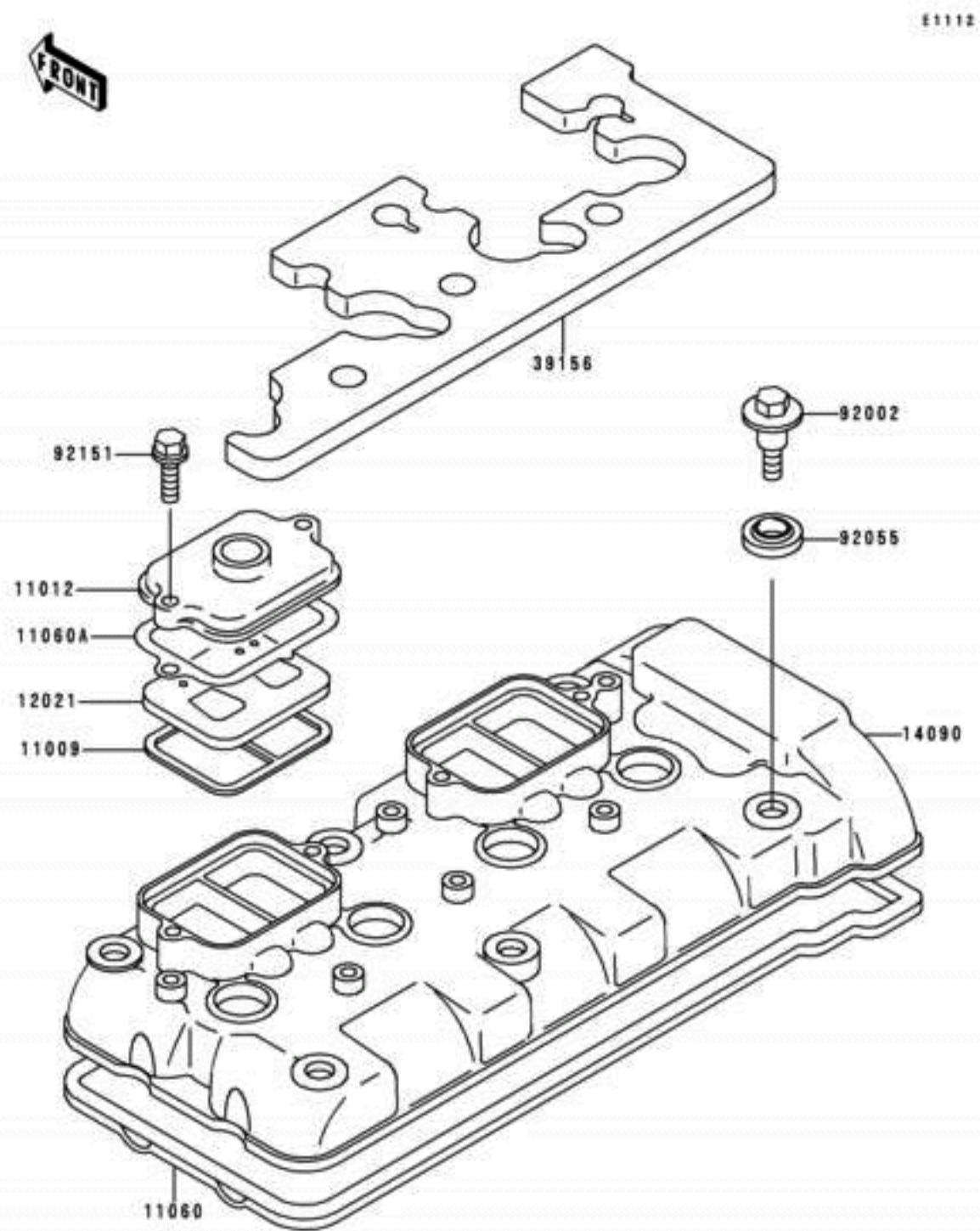


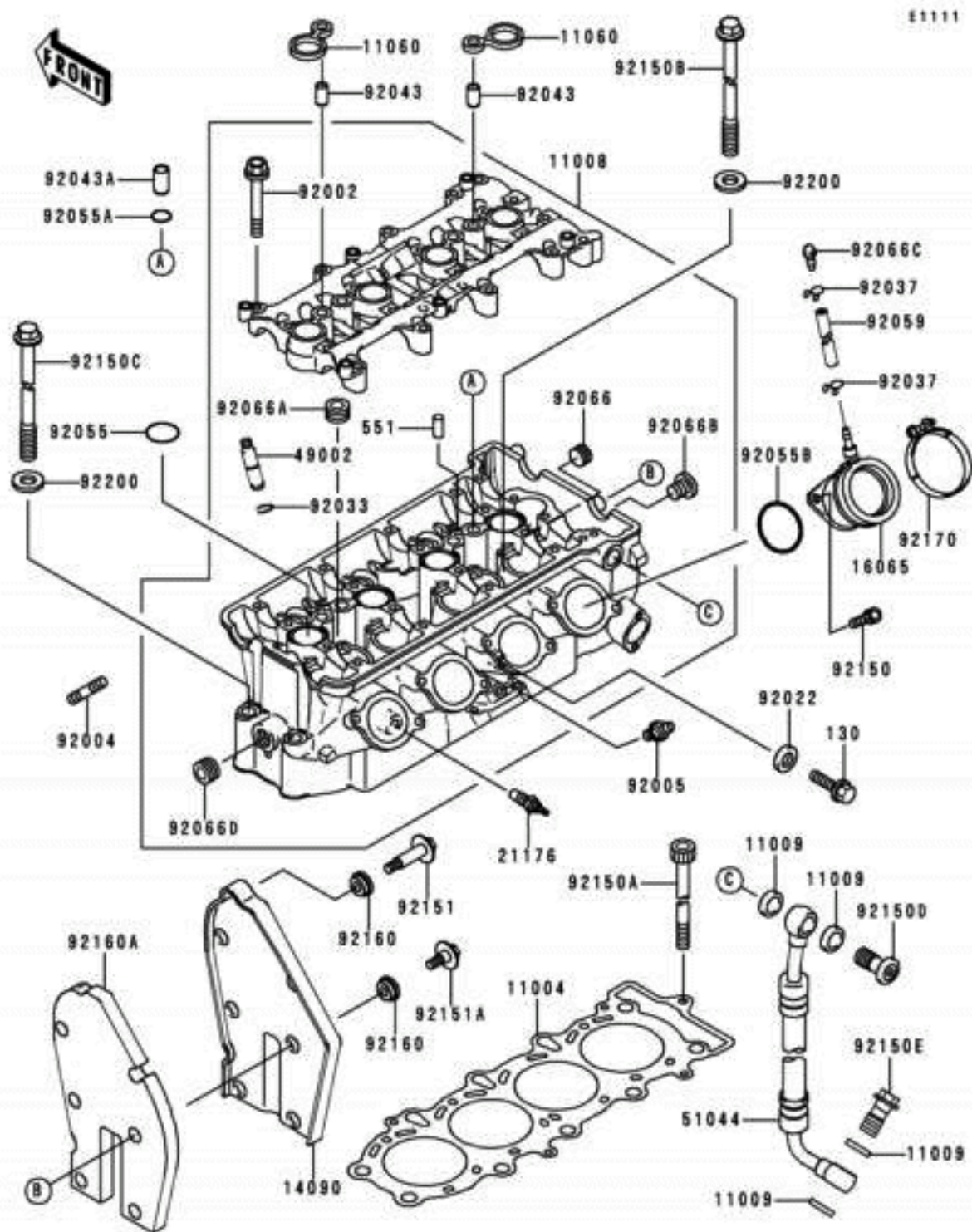


E1821

Ref #	Part #	Description	Qty	Spec Code	Price
13031	13031-1437	<b>INFO</b> CRANKSHAFT-COMP	1		
13251	13251-1120-JJ	<b>INFO</b> ROD-ASSY-CONNECTING,J	4		
92015	92015-1527	<b>INFO</b> NUT,CONNECTING ROD,7MM	8		
92028	92028-1878	<b>INFO</b> BUSHING,CONNECTING ROD,BLACK	AR		
92028A	92028-1879	<b>INFO</b> BUSHING,CONNECTING ROD,BROWN	8		
92028B	92028-1880	<b>INFO</b> BUSHING,CONNECTING ROD,PINK	AR		
92028C	92028-1881	<b>INFO</b> BUSHING,CRANKSHAFT,BLUE	4		
92028D	92028-1882	<b>INFO</b> BUSHING,CRANKSHAFT,BLACK	AR		
92028E	92028-1883	<b>INFO</b> BUSHING,CRANKSHAFT,BROWN	AR		
92028F	92028-1884	<b>INFO</b> BUSHING,CRANKSHAFT,BLUE	6		
92028G	92028-1885	<b>INFO</b> BUSHING,CRANKSHAFT,BLACK	AR		
92028H	92028-1886	<b>INFO</b> BUSHING,CRANKSHAFT,BROWN	AR		
92150	92150-1683	<b>INFO</b> BOLT,CONNECTING ROD,7MM	8		

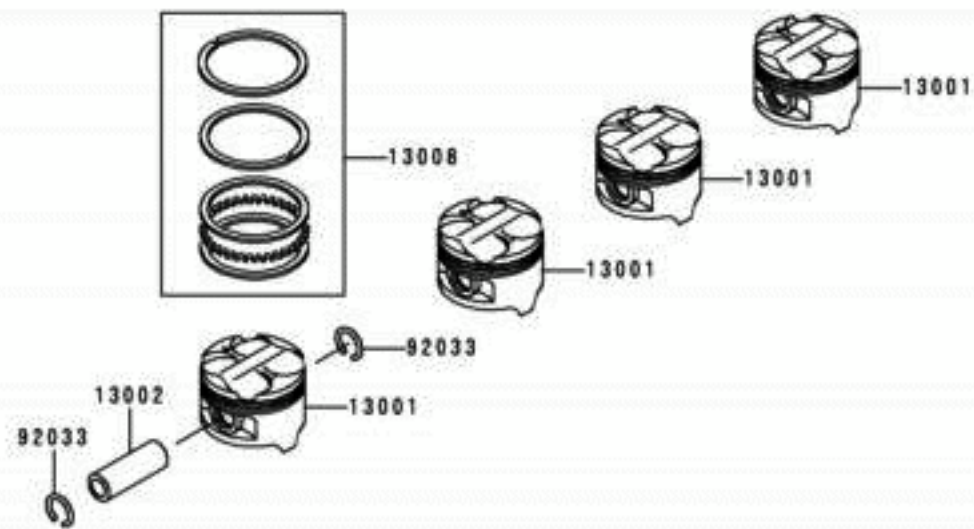
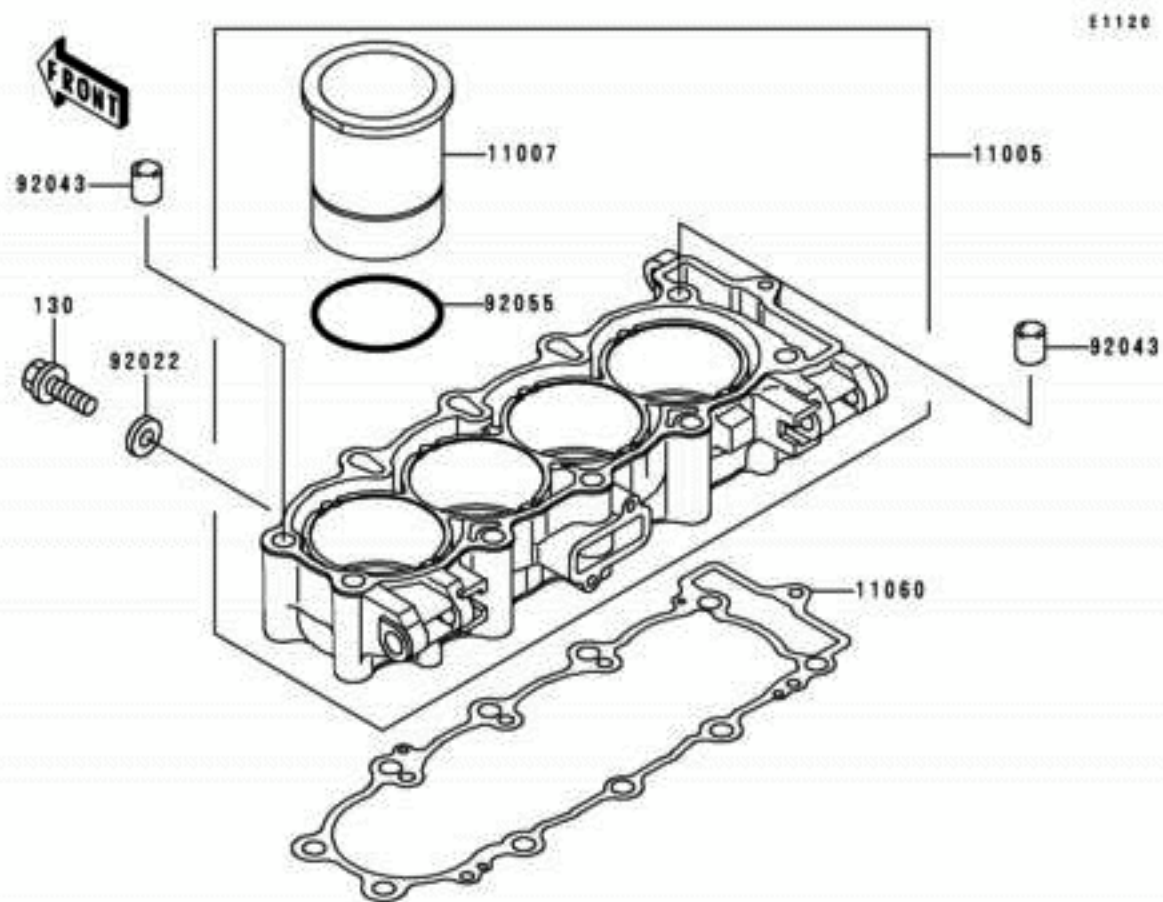
Ref #	Part #	Description	Qty	Spec Code	Price
11009	11009-1857	<b>INFO</b> GASKET, REED VALVE	2		
11012	11012-1758	<b>INFO</b> CAP, REED VALVE	2		
11060	11060-1667	<b>INFO</b> GASKET, HEAD COVER	1		
11060A	11060-1870	<b>INFO</b> GASKET, REED VALVE CAP	2		
12021	12021-1053	<b>INFO</b> VALVE-ASSY-REED	2		
14090	14090-1899	<b>INFO</b> COVER, HEAD	1		
39156	39156-1455	<b>INFO</b> PAD	1		
92002	92002-1327	<b>INFO</b> BOLT, L=20.5	6		
92055	92055-1352	<b>INFO</b> RING-O, HEAD COVER BOLT	6		
92151	92151-1407	<b>INFO</b> BOLT, 6X20	4		





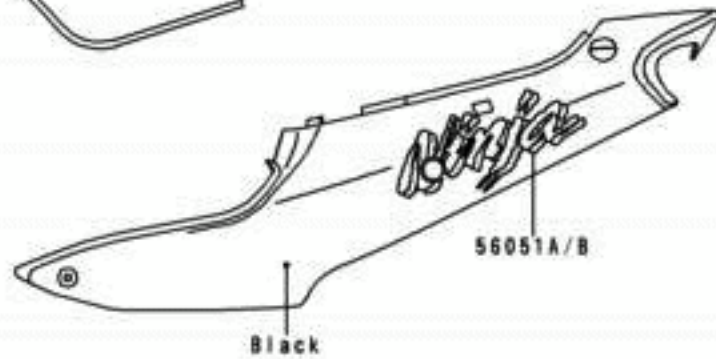
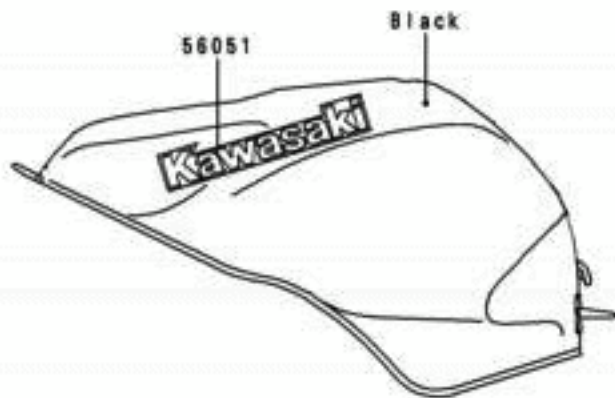
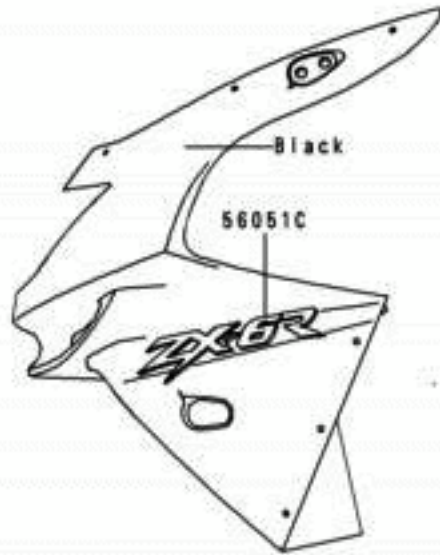
Ref #	Part #	INFO	Description	Qty	Spec Code	Price
11004	11004-1303	INFO	GASKET-HEAD	1		
11008	11008-1350	INFO	HEAD-COMP-CYLINDER	1		
11009	11009-1461	INFO	GASKET,14X19.5X1.4	4		
11060	11060-1861	INFO	GASKET BEARING CAP	4		
14090	14090-1900	INFO	COVER	1		
16065	16065-1354	INFO	HOLDER-CARBURETOR	4		
21176	21176-1075	INFO	SENSOR	1		
49002	49002-1128	INFO	GUIDE-VALVE	AR		
51044	51044-1179	INFO	TUBE-ASSY,OIL	1		
92002	92002-1756	INFO	BOLT,6X40	20		
92004	92004-1249	INFO	STUD,8X22	8		
92005	92005-1273	INFO	FITTING	1		
92022	92022-304	INFO	WASHER,6.2X11X1	1		
92033	92033-1247	INFO	RING-SNAP	16		
92037	92037-1712	INFO	CLAMP	2	[CA]	
92037	92037-1712	INFO	CLAMP	4	[CN,JS]	
92043	92043-1263	INFO	PIN,6.2X8X14	4		
92043A	92043-1264	INFO	PIN,8.2X10X14	4		
92055	92055-1403	INFO	RING-O,25.5X2	4		
92055A	92055-1469	INFO	RING-O,11.5X1.5	4		
92055B	92055-1536	INFO	RING-O,42X1.9	4		
92059	92059-1058	INFO	TUBE,4X9X100	1	[CA]	
92059	92059-1058	INFO	TUBE,4X9X100	2	[CN,JS]	
92066	92066-1227	INFO	PLUG,OIL LINE,1/8X7	1		
92066A	92066-1253	INFO	PLUG	4		
92066B	92066-1260	INFO	PLUG	1		
92066C	92066-1347	INFO	PLUG	1	[CA]	
92066C	92066-1347	INFO	PLUG	2	[CN,JS]	
92066D	92066-1420	INFO	PLUG	1		
92150	92150-1818	INFO	BOLT,SOCKET,6X14	8		
92150A	92150-1928	INFO	BOLT,SOCKET,6X92	1		
92150B	92150-1934	INFO	BOLT,L=148	8		
92150C	92150-1935	INFO	BOLT,L=140	2		
92150D	92150-1944	INFO	BOLT	1		
92150E	92150-1945	INFO	BOLT	1		
92151	92151-1298	INFO	BOLT,L=34	1		
92151A	92151-1299	INFO	BOLT,L=17	6		
92160	92160-1681	INFO	DAMPER	7		
130	130Y0610	INFO	BOLT-FLANGED	1		
551	551A0612	INFO	PIN-DOWEL,6X12	2		
92160A	92160-1894	INFO	DAMPER	1		
92170	92170-1908	INFO	CLAMP	4		
92200	92200-1042	INFO	WASHER,10.5X19X2.3	10		

Ref #	Part #	Description	Qty	Spec Code	Price
130	130J0610	<b>INFO</b> BOLT-FLANGED	2		
11005	11005-1798	<b>INFO</b> CYLINDER-ENGINE	1		
11007	11007-1142	<b>INFO</b> LINER-CYLINDER	4		
11060	11060-1844	<b>INFO</b> GASKET,CYLINDER BASE	1		
13001	13001-1546	<b>INFO</b> PISTON-ENGINE	4		
13002	13002-1115	<b>INFO</b> PIN-PISTON	4		
13008	13008-1161	<b>INFO</b> RING-SET-PISTON,STD	4		
92022	92022-304	<b>INFO</b> WASHER,6.2X11X1	2		
92033	92033-1161	<b>INFO</b> RING-SNAP,PISTON PIN	8		
92043	92043-4009	<b>INFO</b> PIN,10.1X12X14	2		
92055	92055-1534	<b>INFO</b> RING-O,72X2.0	4		

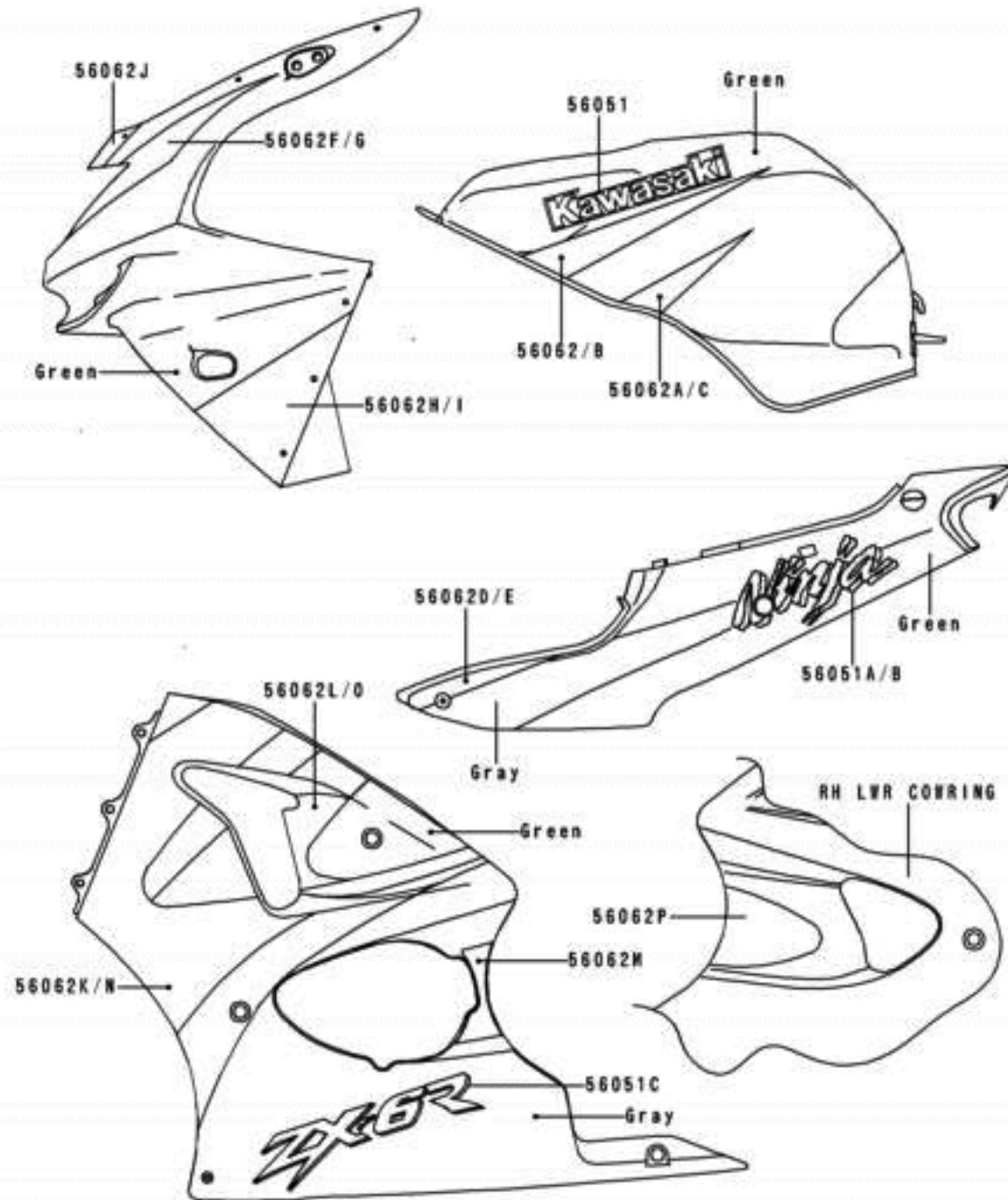


Ref #	Part #	Description	Qty	Spec Code	Price
56051	56051-1962	<b>INFO</b> MARK,FUEL TANK,KAWASAKI	2		
56051A	56051-1963	<b>INFO</b> MARK,SIDE COVER,LH,NINJA	1		
56051B	56051-1964	<b>INFO</b> MARK,SIDE COVER,RH,NINJA	1		
56051C	56051-1965	<b>INFO</b> MARK,UPP COWLING,ZX-6R	2		

F2001E

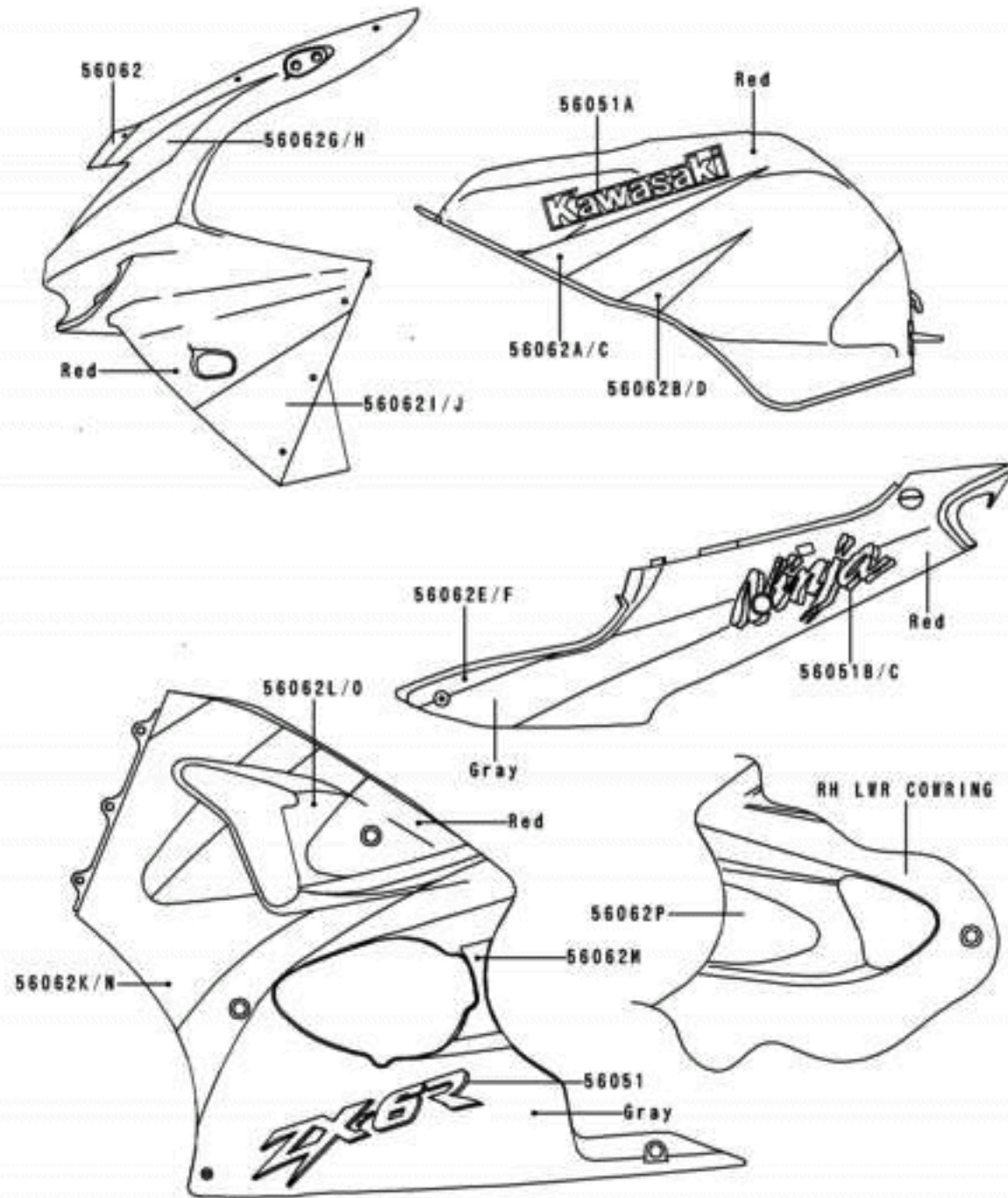


F20010

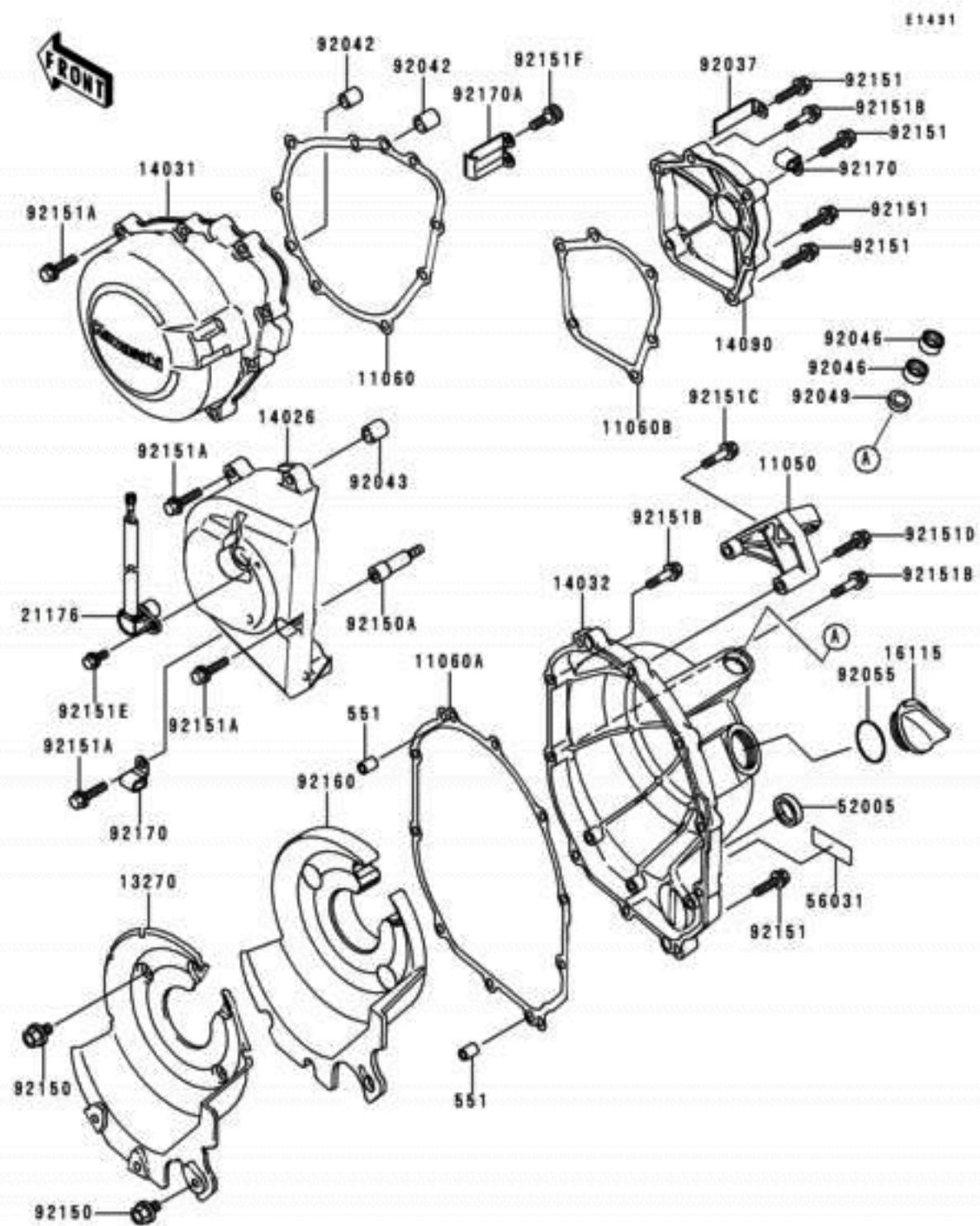


Ref #	Part #	Description	Qty	Spec Code	Price
56051	56051-1750	INFO MARK,FUEL TANK,KAWASAKI	2		
56051A	56051-1966	INFO MARK,SIDE COVER,LH,NINJA	1		
56051B	56051-1967	INFO MARK,SIDE COVER,RH,NINJA	1		
56051C	56051-1968	INFO MARK,LWR COWLING,ZX-6R	2		
56062	56062-1797	INFO PATTERN,FUEL TANK,UPP,LH	1		
56062A	56062-1798	INFO PATTERN,FUEL TANK,LWR,LH	1		
56062B	56062-1799	INFO PATTERN,FUEL TANK,UPP,RH	1		
56062C	56062-1800	INFO PATTERN,FUEL TANK,LWR,RH	1		
56062D	56062-1801	INFO PATTERN,SIDE COVER,LH	1		
56062E	56062-1802	INFO PATTERN,SIDE COVER,RH	1		
56062F	56062-1803	INFO PATTERN,UPP COWLING,LH	1		
56062G	56062-1804	INFO PATTERN,UPP COWLING,RH	1		
56062H	56062-1805	INFO PATTERN,UPP COWLING,SIDE,LH	1		
56062I	56062-1806	INFO PATTERN,UPP COWLING,SIDE,RH	1		
56062J	56062-1807	INFO PATTERN,UPP COWLING,FR	1		
56062K	56062-1808	INFO PATTERN,LWR COWLING,FR,LH	1		
56062L	56062-1809	INFO PATTERN,LWR COWLING,RR,LH	1		
56062M	56062-1810	INFO PATTERN,LWR COWLING,LWR,LH	1		
56062N	56062-1811	INFO PATTERN,LWR COWLING,FR,RH	1		
56062O	56062-1812	INFO PATTERN,LWR COWLING,RR,RH	1		
56062P	56062-1813	INFO PATTERN,LWR COWLING,LWR,RH	1		

F2861C

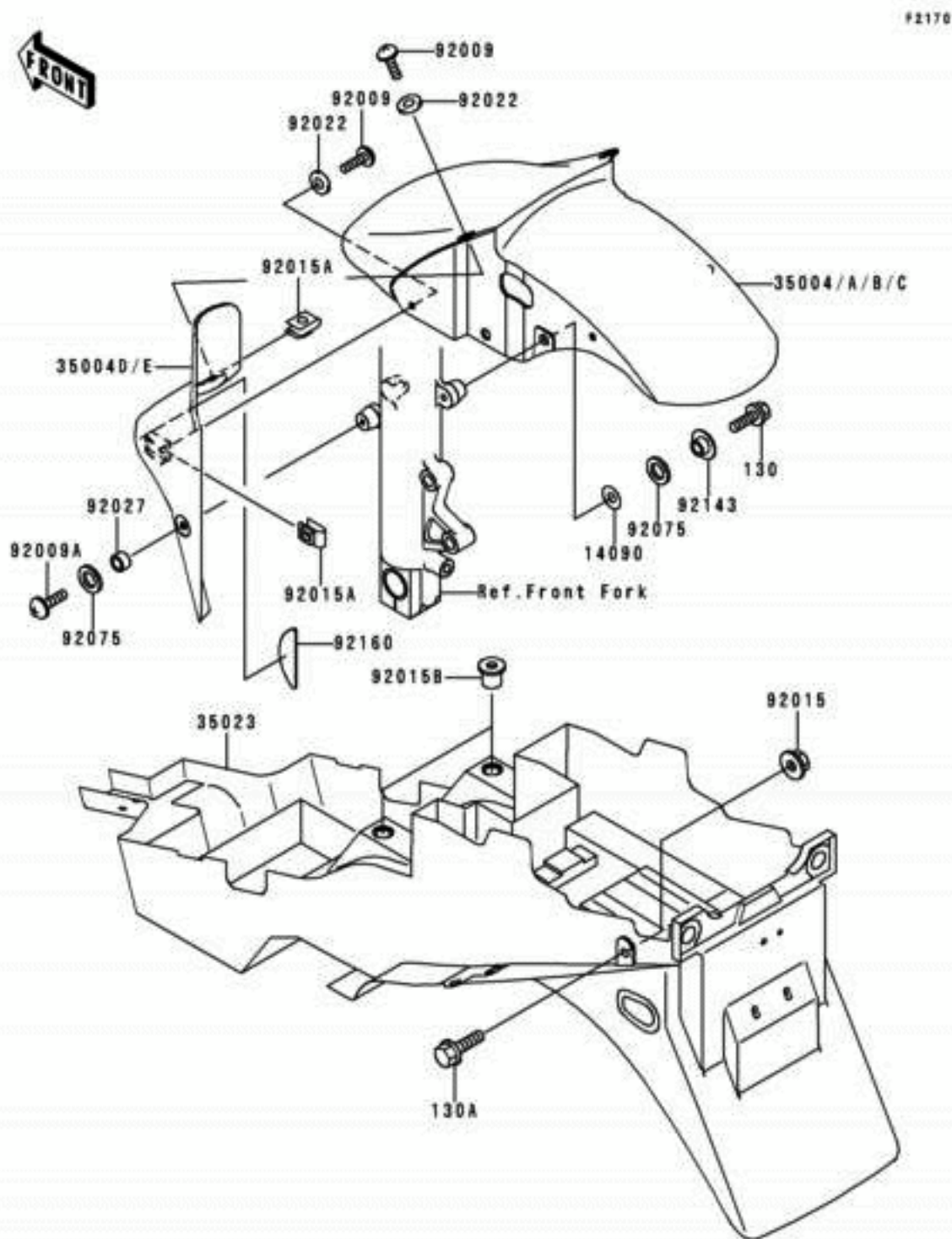


Ref #	Part #	Description	Qty	Spec Code	Price
56051	56051-1968	<b>INFO</b> MARK,LWR COWLING,ZX-6R	2	[CN]	
56051A	56051-1970	<b>INFO</b> MARK,FUEL TANK,KAWASAKI	2	[CN]	
56051B	56051-1971	<b>INFO</b> MARK,SIDE COVER,LH,NINJA	1	[CN]	
56051C	56051-1972	<b>INFO</b> MARK,SIDE COVER,RH,NINJA	1	[CN]	
56062	56062-1807	<b>INFO</b> PATTERN,UPP COWLING,FR	1	[CN]	
56062A	56062-1814	<b>INFO</b> PATTERN,FUEL TANK,UPP,LH	1	[CN]	
56062B	56062-1815	<b>INFO</b> PATTERN,FUEL TANK,LWR,LH	1	[CN]	
56062C	56062-1816	<b>INFO</b> PATTERN,FUEL TANK,UPP,RH	1	[CN]	
56062D	56062-1817	<b>INFO</b> PATTERN,FUEL TANK,LWR,RH	1	[CN]	
56062E	56062-1818	<b>INFO</b> PATTERN,SIDE COVER,LH	1	[CN]	
56062F	56062-1819	<b>INFO</b> PATTERN,SIDE COVER,RH	1	[CN]	
56062G	56062-1820	<b>INFO</b> PATTERN,UPP COWLING,LH	1	[CN]	
56062H	56062-1821	<b>INFO</b> PATTERN,UPP COWLING,RH	1	[CN]	
56062I	56062-1822	<b>INFO</b> PATTERN,UPP COWLING,SIDE,LH	1	[CN]	
56062J	56062-1823	<b>INFO</b> PATTERN,UPP COWLING,SIDE,RH	1	[CN]	
56062K	56062-1824	<b>INFO</b> PATTERN,LWR COWLING,FR,LH	1	[CN]	
56062L	56062-1825	<b>INFO</b> PATTERN,LWR COWLING,RR,LH	1	[CN]	
56062M	56062-1826	<b>INFO</b> PATTERN,LWR COWLING,LWR,LH	1	[CN]	
56062N	56062-1827	<b>INFO</b> PATTERN,LWR COWLING,FR,RH	1	[CN]	
56062O	56062-1828	<b>INFO</b> PATTERN,LWR COWLING,RR,RH	1	[CN]	
56062P	56062-1829	<b>INFO</b> PATTERN,LWR COWLING,LWR,RH	1	[CN]	



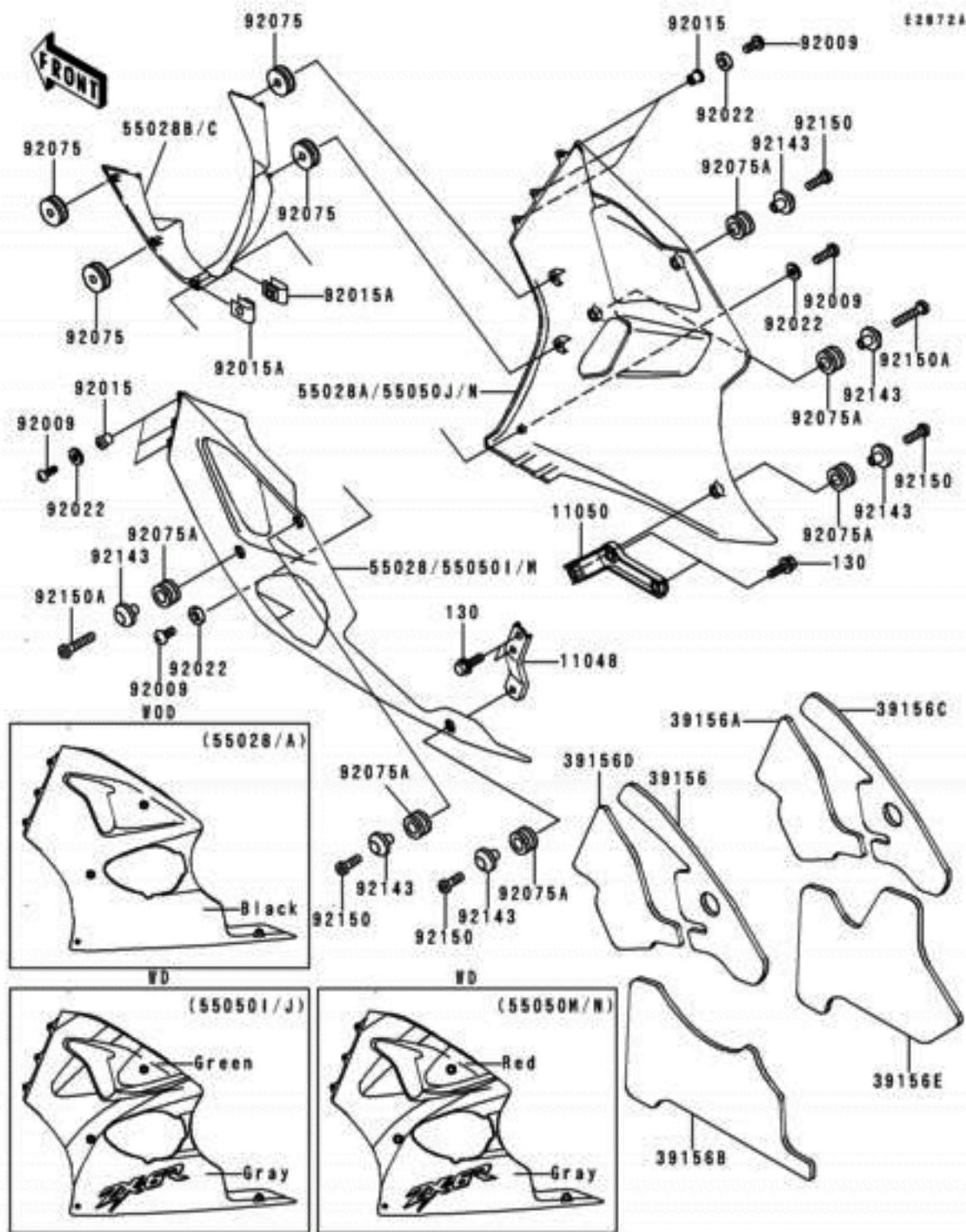
Ref #	Part #	Description	Qty	Spec Code	Price
551	551A0814	<b>INFO</b> PIN-DOWEL,8X14	2		
11050	11050-1864	<b>INFO</b> BRACKET,CLUTCH CABLE	1		
11060	11060-1851	<b>INFO</b> GASKET,GENERATOR COVER	1		
11060A	11060-1853	<b>INFO</b> GASKET,CLUTCH COVER	1		
11060B	11060-1867	<b>INFO</b> GASKET,PULSING COVER	1		
13270	13270-1350	<b>INFO</b> PLATE,CLUTCH COVER	1		
14026	14026-1252	<b>INFO</b> COVER-CHAIN	1		
14031	14031-1346	<b>INFO</b> COVER-GENERATOR	1		
14032	14032-1477	<b>INFO</b> COVER-CLUTCH	1		
14090	14090-1916	<b>INFO</b> COVER,PULSING	1		
16115	16115-1009	<b>INFO</b> CAP-OIL FILLER	1		
21176	21176-1076	<b>INFO</b> SENSOR,SPEED	1		
52005	52005-1057	<b>INFO</b> GAUGE,OIL LEVEL	1		
56031	56031-1895	<b>INFO</b> LABEL-MANUAL,OIL CAPACITY	1		
92037	92037-1316	<b>INFO</b> CLAMP,HARNES	1		
92042	92042-007	<b>INFO</b> PIN,DOWEL,6.3X8X14	2		
92043	92043-1263	<b>INFO</b> PIN,6.2X8X14	1		
92046	92046-1010	<b>INFO</b> BEARING-NEEDLE,HK1210	2		
92049	92049-1271	<b>INFO</b> SEAL-OIL, TB12205.5	1		
92055	92055-049	<b>INFO</b> RING-O,31.5X2.6	1		
92150	92150-1406	<b>INFO</b> BOLT,5X8	7		
92150A	92150-1889	<b>INFO</b> BOLT	1		
92151	92151-1134	<b>INFO</b> BOLT,6X30	11		
92151A	92151-1135	<b>INFO</b> BOLT,6X35	13		
92151B	92151-1201	<b>INFO</b> BOLT,6X30	3		
92151C	92151-1234	<b>INFO</b> BOLT,6X50	1		
92151D	92151-1235	<b>INFO</b> BOLT,6X60	1		
92151E	92151-1305	<b>INFO</b> BOLT,5X12	1		
92151F	92151-1365	<b>INFO</b> BOLT, SOCKET,5X12	2		
92160	92160-1554	<b>INFO</b> DAMPER,CLUTCH COVER	1		
92170	92170-1577	<b>INFO</b> CLAMP	2		
92170A	92170-1843	<b>INFO</b> CLAMP	1		





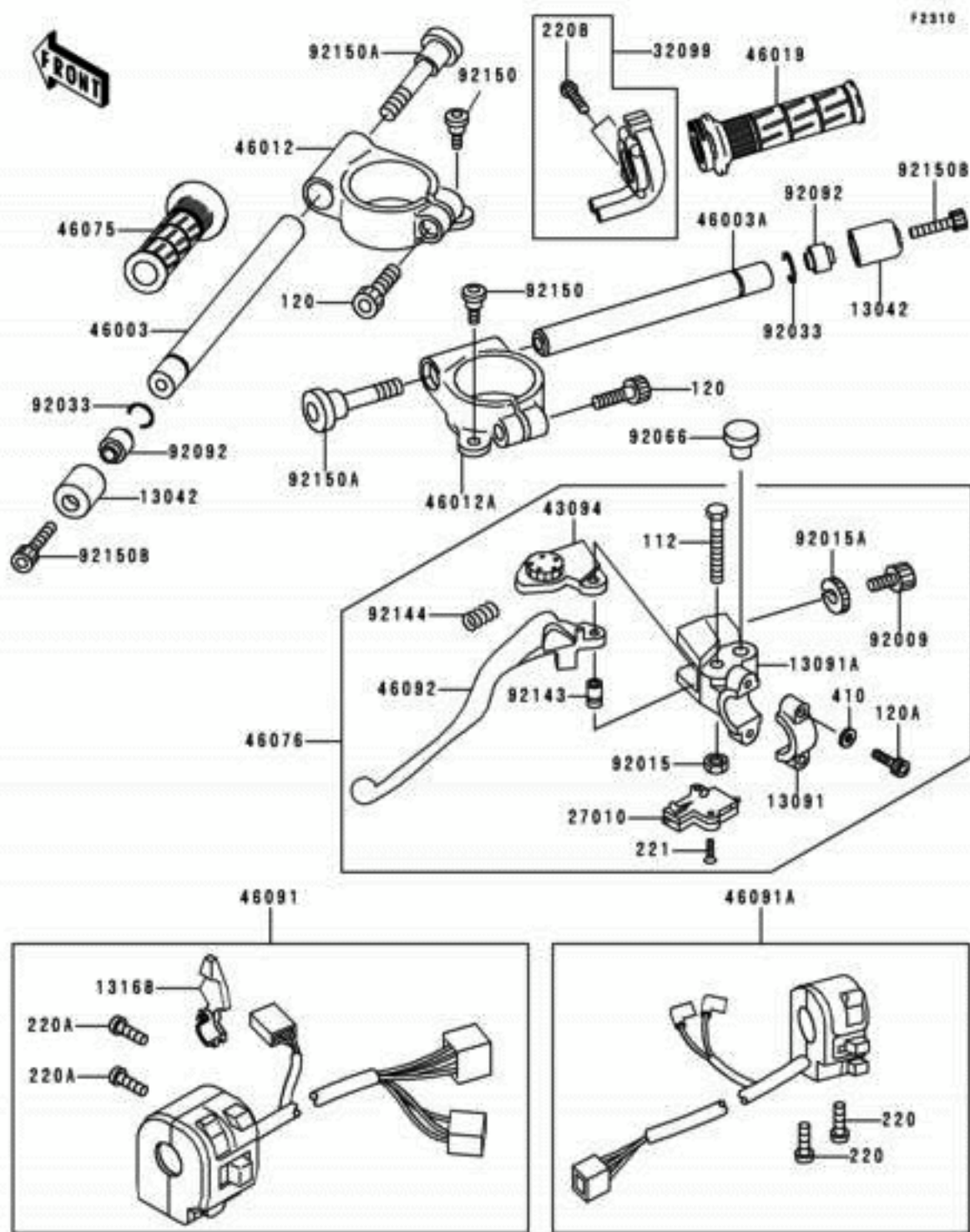
92170

Ref #	Part #	INFO	Description	Qty	Spec Code	Price
130	130H0616	INFO	BOLT-FLANGED,6X16	4		
130A	130J0620	INFO	BOLT-FLANGED	4		
14090	14090-1505	INFO	COVER	4		
35004	35004-1367-B1	INFO	FENDER-FRONT,CNT,F.RED	1	[CN]	
35004B	35004-1367-20	INFO	FENDER-FRONT,CNT,BLACK MICA	1		
35004C	35004-1367-7F	INFO	FENDER-FRONT,CNT,L.GREEN	1		
35004D	35004-1390-E4	INFO	FENDER-FRONT,SIDE,LH,GRAY	1		
35004E	35004-1391-E4	INFO	FENDER-FRONT,SIDE,RH,GRAY	1		
35023	35023-1482	INFO	FENDER-REAR	1		
92009	92009-1654	INFO	SCREW,5X16	4		
92009A	92009-1662	INFO	SCREW,6X14	2		
92015	92015-1321	INFO	NUT,6MM	2		
92015A	92015-1573	INFO	NUT,5MM	4		
92015B	92015-1700	INFO	NUT	2		
92022	92022-1521	INFO	WASHER,NYLON,5.3X11.5X1.5	4		
92027	92027-103	INFO	COLLAR,6.8X10X6	2		
92075	92075-1564	INFO	DAMPER	6		
92143	92143-1019	INFO	COLLAR,L=7.4	4		
92160	92160-1961	INFO	DAMPER	2		

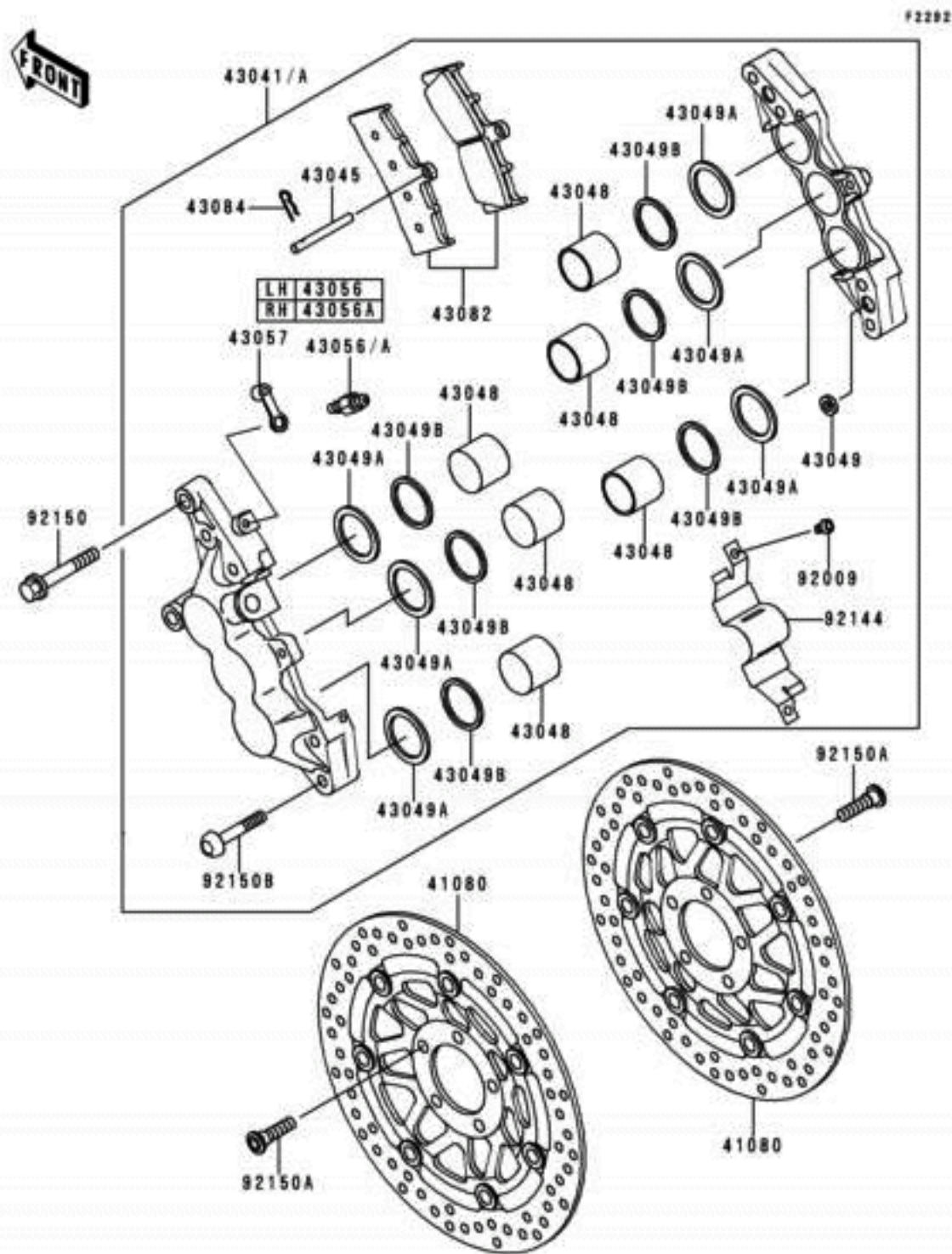


Ref #	Part #	INFO	Description	Qty	Spec Code	Price
130	130V0616	INFO	BOLT-FLANGED	4		
11048	11048-1870	INFO	BRACKET,LWR.COWLING,RH,LWR	1		
11050	11050-1867	INFO	BRACKET,SIDE COWLING,LH,LWR	1		
39156	39156-1616	INFO	PAD,SIDE COWLING,LH,UPP	1		
39156A	39156-1617	INFO	PAD,SIDE COWLING,RH,CNT	1		
39156B	39156-1618	INFO	PAD,SIDE COWLING,LH,LWR	1		
39156C	39156-1619	INFO	PAD,SIDE COWLING,RH,UPP	1		
39156D	39156-1620	INFO	PAD,SIDE COWLING,LH,CNT	1		
39156E	39156-1621	INFO	PAD,SIDE COWLING,RH,LWR	1		
55028	55028-1366-20	INFO	COWLING,SIDE,LH,P.P.BLACK MICA	1		
55028A	55028-1367-20	INFO	COWLING,SIDE,RH,P.P.BLACK MICA	1		
55028B	55028-1368-T2	INFO	COWLING,FR,P.C.GRAY	1		
55028C	55028-1368-20	INFO	COWLING,FR,P.P.BLCAK MICA	1		
55050I	55050-5254-4H	INFO	COWLING-ASSY.,SIDE,LH,GRN/GRA	1		
55050J	55050-5255-4H	INFO	COWLING-ASSY.,SIDE,RH,GRN/GRA	1		
55050M	55050-5261-X5	INFO	COWLING-ASSY.,SIDE,LH,RED/GRA	1	[CN]	
55050N	55050-5262-X5	INFO	COWLING-ASSY.,SIDE,RH,RED/GRA	1	[CN]	
92009	92009-1654	INFO	SCREW,5X16	8		
92015	92015-1757	INFO	NUT,WELL,5MM	6		
92015A	92015-1798	INFO	NUT,5MM	2		
92022	92022-1521	INFO	WASHER,NYLON,5.3X11.5X1.5	8		
92075	92075-1067	INFO	DAMPER	4		
92075A	92075-1634	INFO	DAMPER	6		
92143	92143-1226	INFO	COLLAR,BLACK	6		
92150	92150-1553	INFO	BOLT,SOCKET,6X18	4		
92150A	92150-1554	INFO	BOLT,SOCKET,6X30	2		

Ref #	Part #	INFO	Description	Qty	Spec Code	Price
23007	23007-1347	INFO	LENS-COMP,HEAD LAMP	1		
49016	49016-1193	INFO	COVER-SEAL,HEAD LAMP	1		
92015	92015-1094	INFO	NUT,6MM	4		
92069	92069-1002	INFO	BULB,12V 60/55W,H4	1		
92151	92151-1241	INFO	BOLT,6X25	4		
92160	92160-1007	INFO	DAMPER	2		

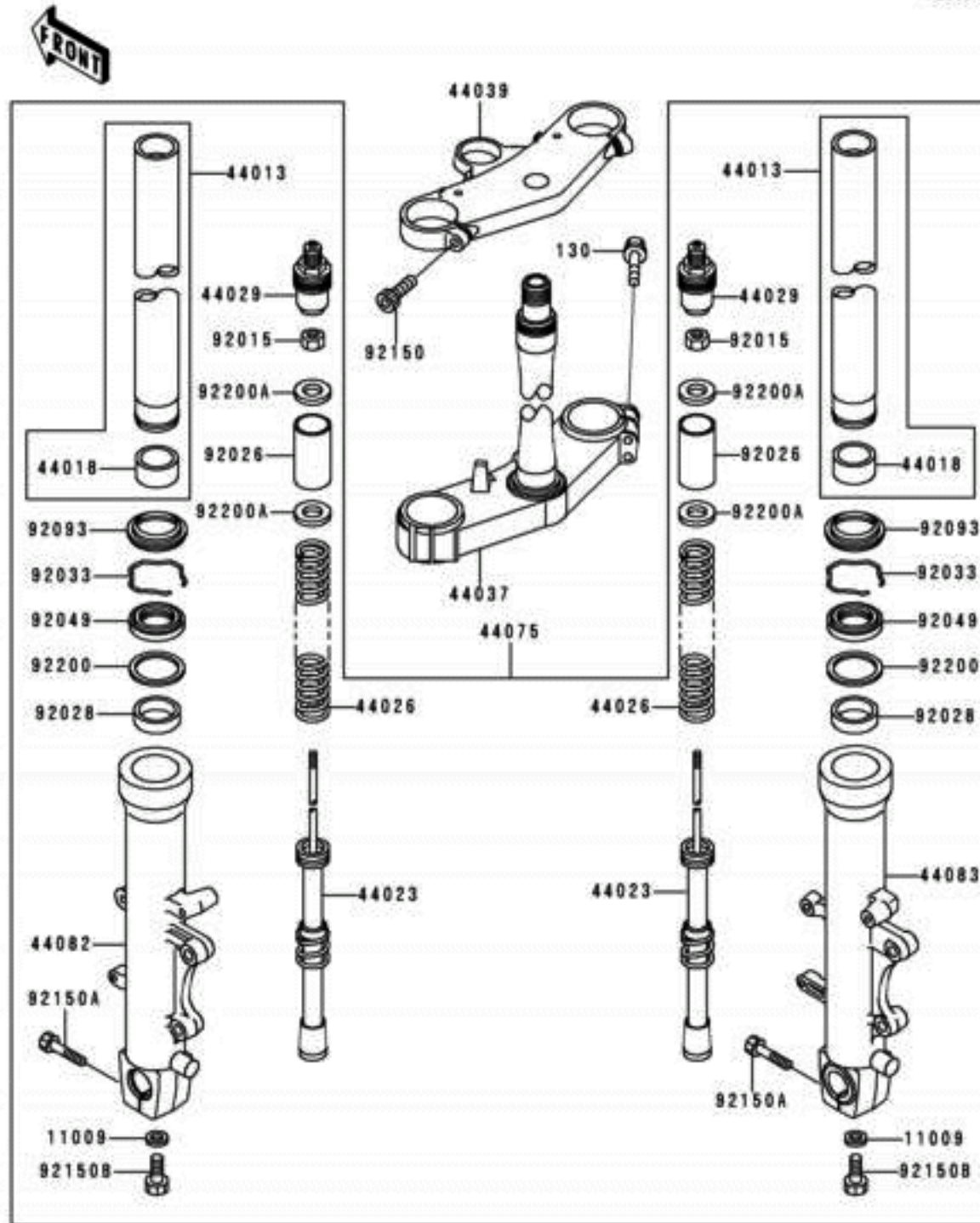






Ref #	Part #	INFO	Description	Qty	Spec Code	Price
41080	41080-1442-A4	INFO	DISC,FR,GOLD+SILVER	2		
43041	43041-1660	INFO	CALIPER-ASSY,FR,LH	1		
43041A	43041-1661	INFO	CALIPER-ASSY,FR,RH	1		
43045	43045-007	INFO	SHAFT-CALIPER	2		
43048	43048-1078	INFO	PISTON-CALIPER	12		
43049	43049-1004	INFO	PACKING,SEAL,6.5X11.5X2.2	4		
43049A	43049-1054	INFO	PACKING,PISTON SEAL	12		
43049B	43049-1055	INFO	PACKING,PISTON	12		
43056	43056-003	INFO	BREATHER	1		
43056A	43056-1054	INFO	BREATHER-BRAKE	1		
43057	43057-003	INFO	CAP-BREATHER	2		
43082	43082-1224	INFO	PAD-ASSY-BRAKE	2		
43084	43084-003	INFO	CLAMP,PAD	2		
92009	92009-1758	INFO	BOLT,SOCKET,4X6	4		
92144	92144-1903	INFO	SPRING	2		
92150	92150-1297	INFO	BOLT,FLANGED,10X38	4		
92150A	92150-1771	INFO	BOLT,SOCKET,8X30	10		
92150B	92150-1973	INFO	BOLT,SOCKET,8X40	8		

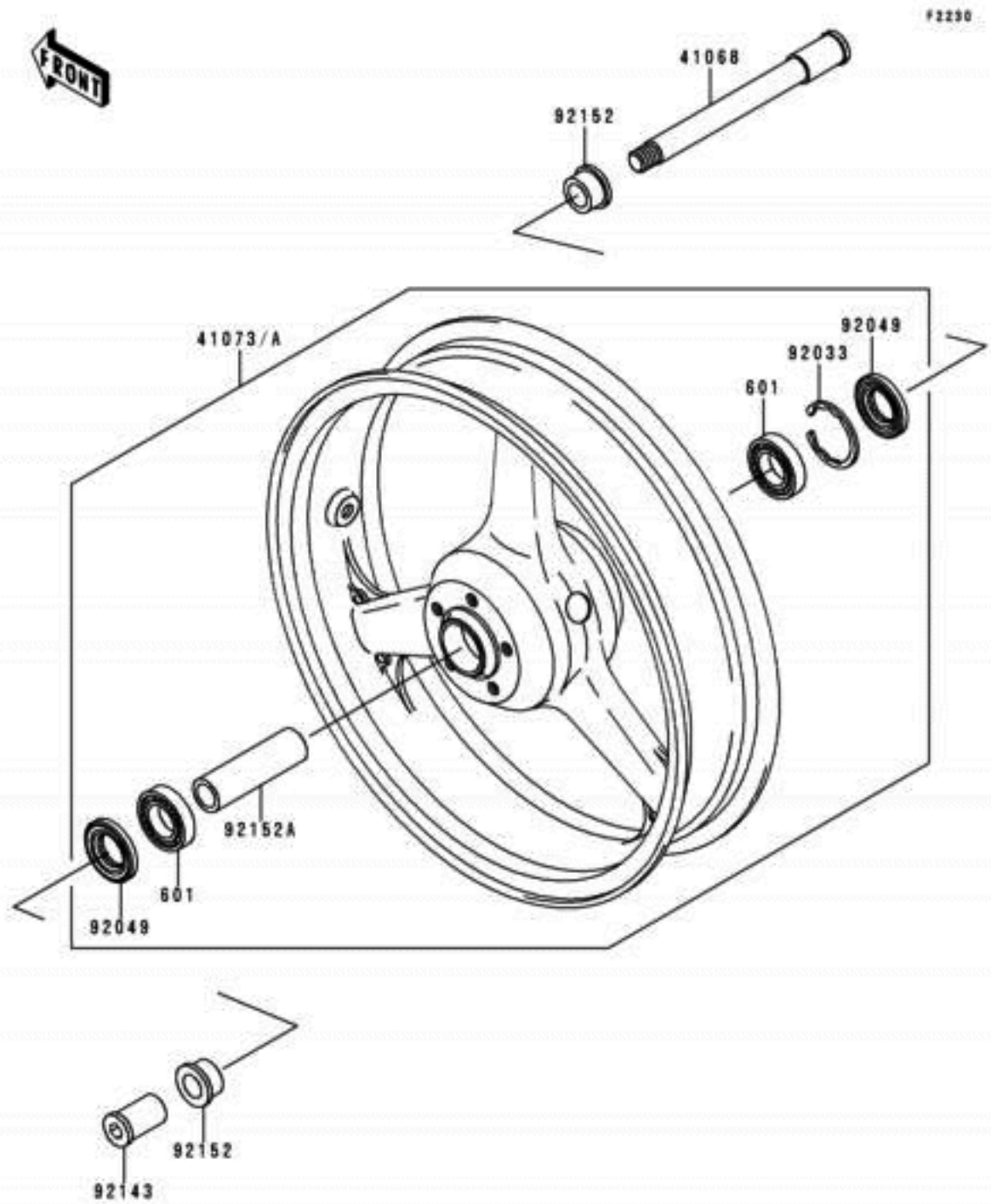
F2340



Ref #	Part #	Description	Qty	Spec Code	Price
130	130J0840	<b>INFO</b> BOLT-FLANGED,8X40	4		
11009	11009-1127	<b>INFO</b> GASKET,FORK CYLINDER BOLT	2		
44013	44013-1453	<b>INFO</b> PIPE-FORK INNER	2		
44018	44018-1061	<b>INFO</b> PISTON-FORK	2		
44023	44023-1127	<b>INFO</b> CYLINDER-SET-FORK	2		
44026	44026-1683	<b>INFO</b> SPRING-FRONT FORK	2		
44029	44029-1164	<b>INFO</b> SEAT-FORK SPRING	2		
44037	44037-1373	<b>INFO</b> HOLDER-FORK UNDER	1		
44039	44039-1281	<b>INFO</b> HOLDER-FORK UPPER	1		
44075	44075-1080	<b>INFO</b> DAMPER-SET-FORK	1		
44082	44082-1056	<b>INFO</b> PIPE-COMP-LEFT FORK OUT	1		
44083	44083-1055	<b>INFO</b> PIPE-COMP-RIGHT FORK OUT	1		
92015	92015-1905	<b>INFO</b> NUT	2		
92026	92026-1519	<b>INFO</b> SPACER,FORK,L=120	2		
92028	92028-1875	<b>INFO</b> BUSHING	2		
92033	92033-1264	<b>INFO</b> RING-SNAP	2		
92049	92049-1495	<b>INFO</b> SEAL-OIL,FORK OUTER TUBE	2		
92093	92093-1473	<b>INFO</b> SEAL,FORK OUTER TUBE	2		
92150	92150-1172	<b>INFO</b> BOLT, SOCKET,8X25	2		
92150A	92150-1194	<b>INFO</b> BOLT, SOCKET,8X40	4		
92150B	92150-1398	<b>INFO</b> BOLT, 12X22	2		
92200	92200-1006	<b>INFO</b> WASHER	2		
92200A	92200-1420	<b>INFO</b> WASHER	4		

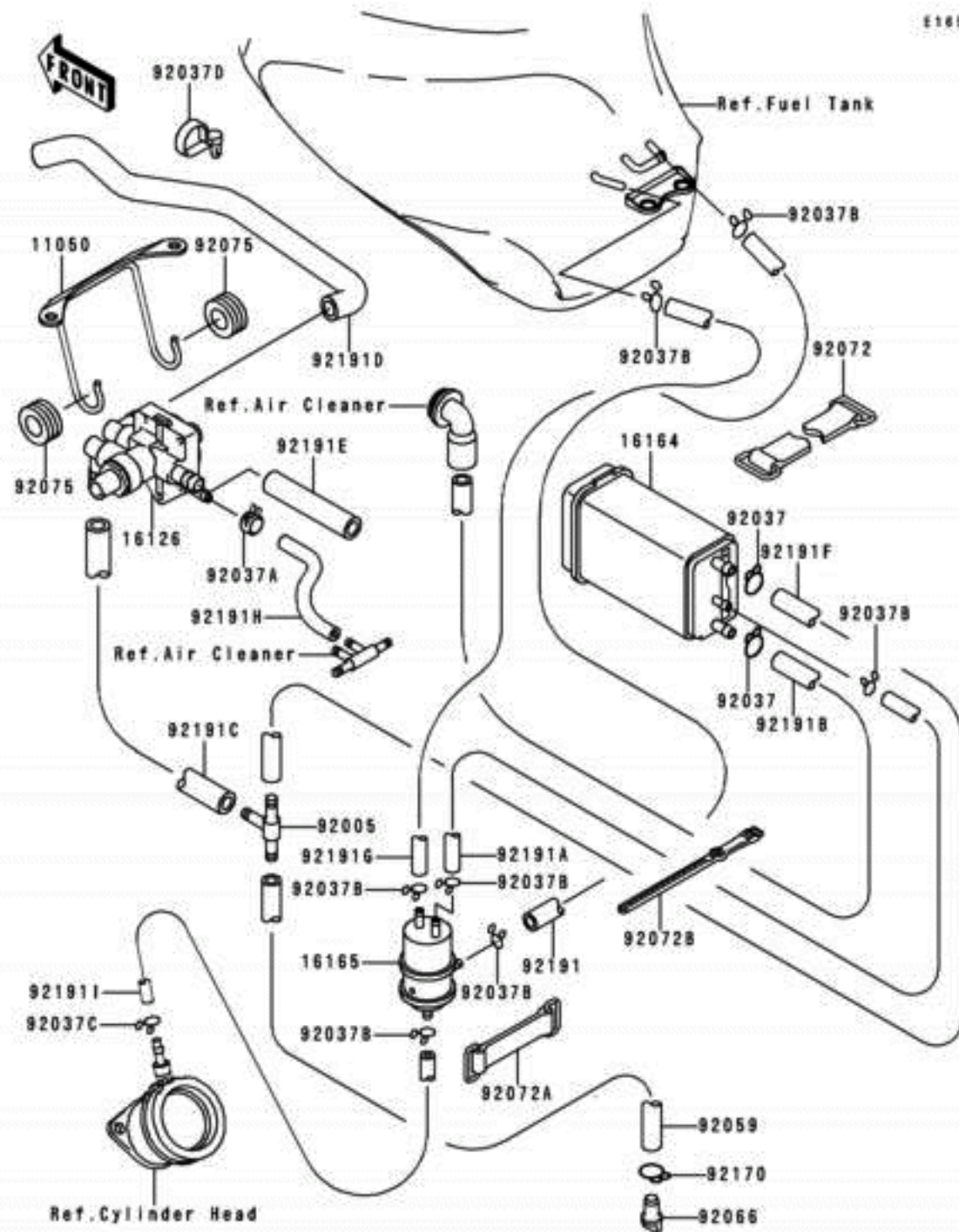


Ref #	Part #	Description	Qty	Spec Code	Price
601	601B6005UU	<b>INFO</b> BEARING-BALL, #6005UU	2		
41068	41068-1404	<b>INFO</b> AXLE,FR	1		
41073	41073-1633-CJ	<b>INFO</b> WHEEL-ASSY,FR,L.GREEN	1		
41073A	41073-1633-DH	<b>INFO</b> WHEEL-ASSY,FR,C.GRAY	1		
92033	92033-1042	<b>INFO</b> RING-SNAP,47MM	1		
92049	92049-1377	<b>INFO</b> SEAL-OIL,BJN 32 47 5	2		
92143	92143-1478	<b>INFO</b> COLLAR,FR AXLE,LH,L=44.5	1		
92152	92152-1078	<b>INFO</b> COLLAR,FR AXLE,L=19	2		
92152A	92152-1079	<b>INFO</b> COLLAR,FR HUB,L=98	1		





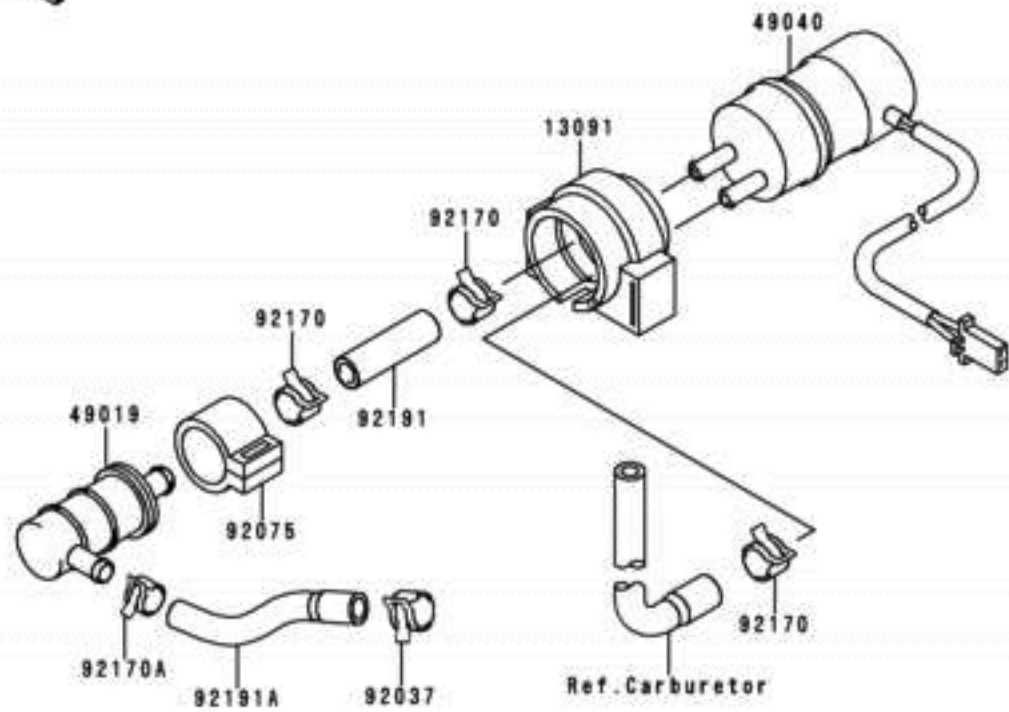
11450



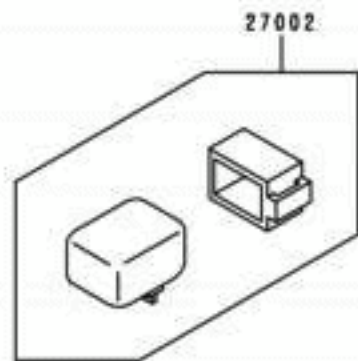
Ref #	Part #	INFO	Description	Qty	Spec Code	Price
11050	11050-1729	INFO	BRACKET	1	[CA]	
16126	16126-1354	INFO	VALVE	1	[CA]	
16164	16164-1052	INFO	CANISTER	1	[CA]	
16165	16165-1001	INFO	SEPARATOR	1	[CA]	
92005	92005-1304	INFO	FITTING	1	[CA]	
92037	92037-1104	INFO	CLAMP,HOSE	2	[CA]	
92037A	92037-1461	INFO	CLAMP,TUBE	1	[CA]	
92037B	92037-147	INFO	CLAMP,TUBE	7	[CA]	
92037C	92037-1712	INFO	CLAMP	1	[CA]	
92037D	92037-1903	INFO	CLAMP,SPEED,L=80.5	1	[CA]	
92059	92059-1440	INFO	TUBE,7X12X440,YELLOW	1	[CA]	
92066	92066-1211	INFO	PLUG,DRAIN	1	[CA]	
92072	92072-045	INFO	BAND,L=90	1	[CA]	
92072A	92072-066	INFO	BAND,L=50	1	[CA]	
92072B	92072-1195	INFO	BAND,L=185	1	[CA]	
92075	92075-1621	INFO	DAMPER,MUFFLER	2	[CA]	
92170	92170-1529	INFO	CLAMP	1	[CA]	
92191	92191-1234	INFO	TUBE,SEPARATOR-TANK,RED	1	[CA]	
92191A	92191-1236	INFO	TUBE,SEPARATOR-CANIST,BLUE	1	[CA]	
92191B	92191-1237	INFO	TUBE,CANISTER-FILTER,GREEN	1	[CA]	
92191C	92191-1238	INFO	TUBE,VALVE-FITTING,YELLOW	1	[CA]	
92191D	92191-1239	INFO	TUBE,AIR FILTER-VALVE	1	[CA]	
92191E	92191-1240	INFO	TUBE,CARB-VALVE	1	[CA]	
92191F	92191-1250	INFO	TUBE,FITTING-CANIST,YELLOW	1	[CA]	
92191G	92191-1268	INFO	TUBE,SEPARATOR-TANK,BLUE	1	[CA]	
92191H	92191-1275	INFO	TUBE	1	[CA]	
92191I	92191-1276	INFO	TUBE,SEPARATOR-CARB,WHITE	1	[CA]	

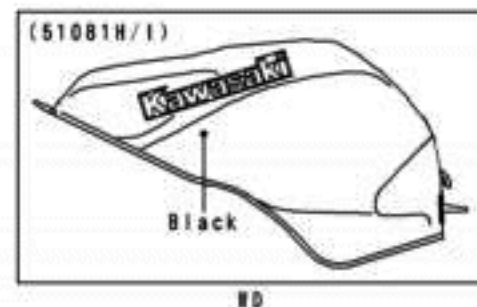
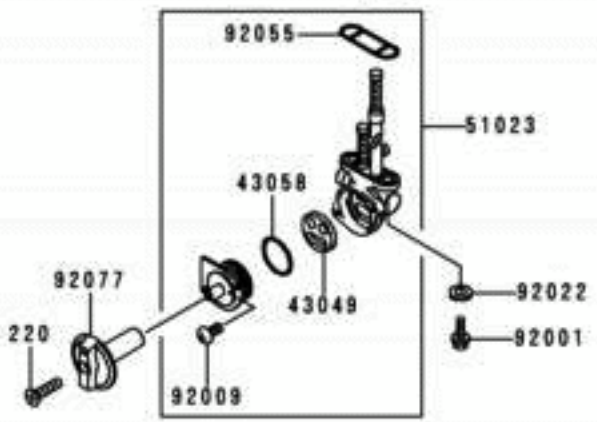
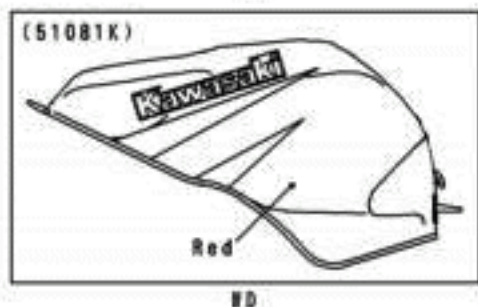
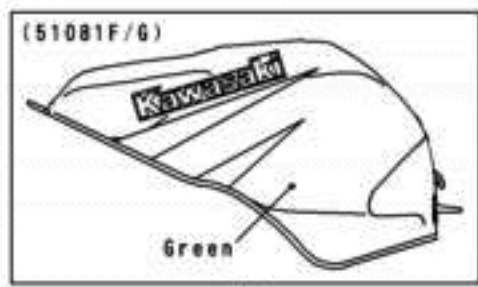
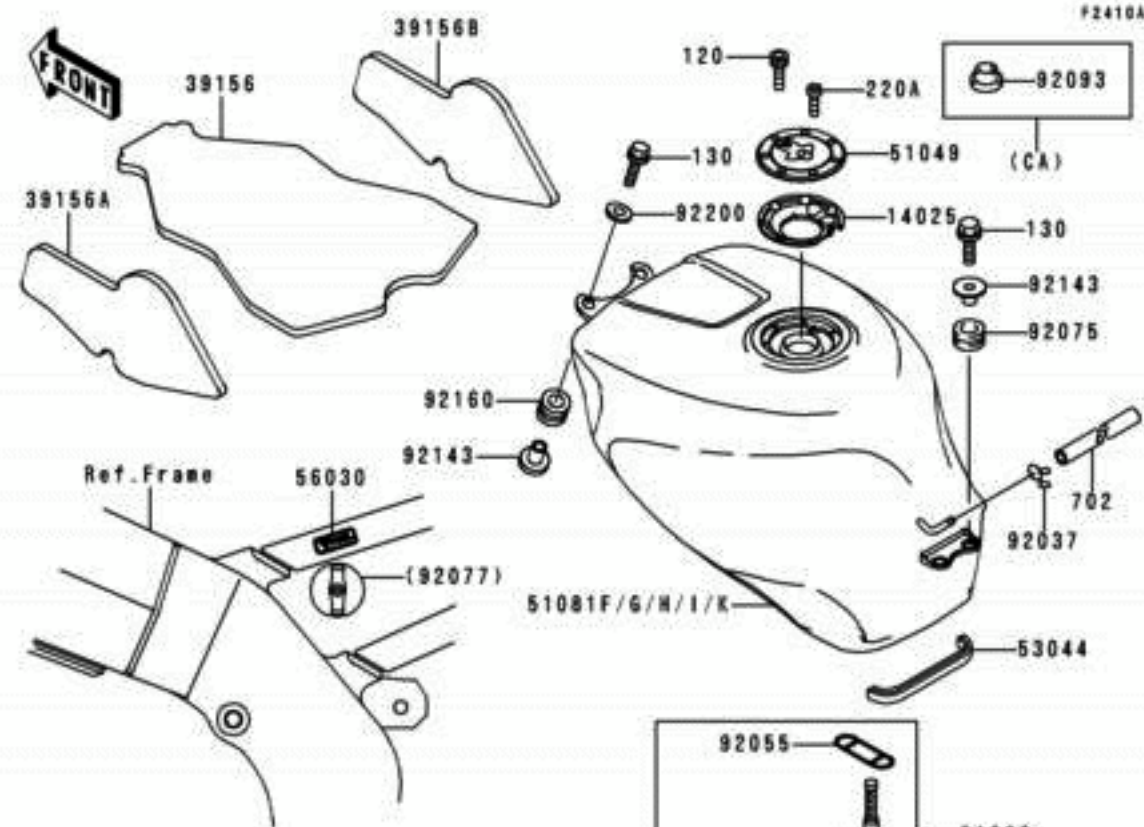
FRONT

61520

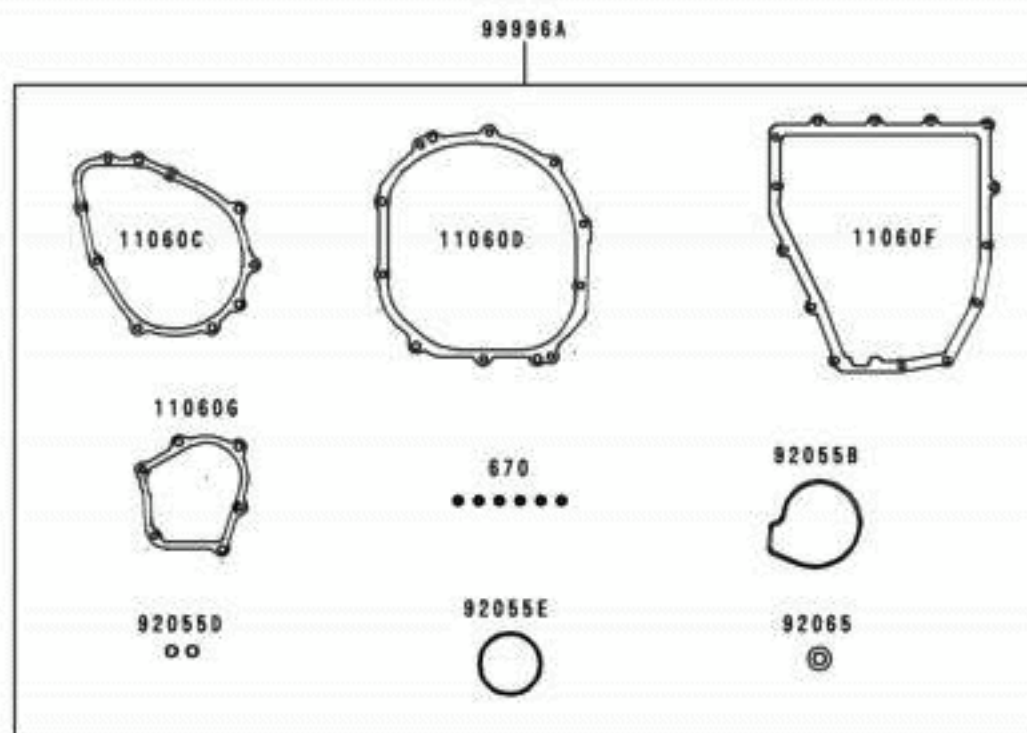
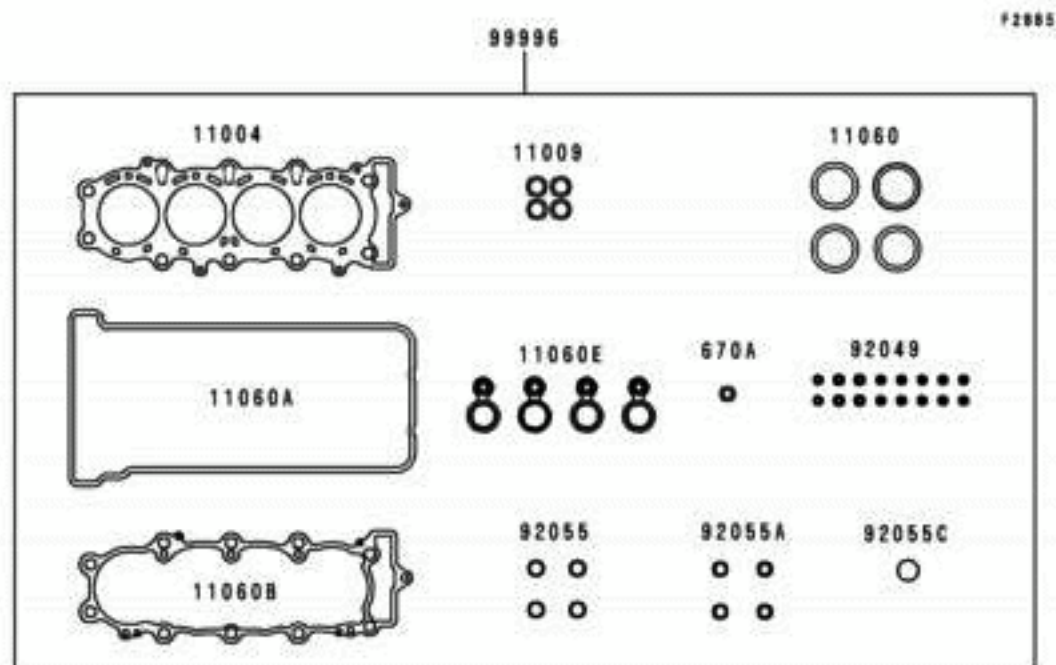


Ref #	Part #	DESCRIPTION	Qty	Spec Code	Price
13091	13091-1512	INFO HOLDER	1		
27002	27002-1065	INFO RELAY-ASSY	1		
49019	49019-1081	INFO FILTER-FUEL	1		
49040	49040-1061	INFO PUMP-FUEL	1		
92037	92037-2082	INFO CLAMP	1		
92075	92075-1853	INFO DAMPER,FUEL FILTER	1		
92170	92170-1118	INFO CLAMP	3		
92170A	92170-1492	INFO CLAMP	1		
92191	92191-1174	INFO TUBE,PUMP-FILTER	1		
92191A	92191-1229	INFO TUBE,TAP-FILTER	1		

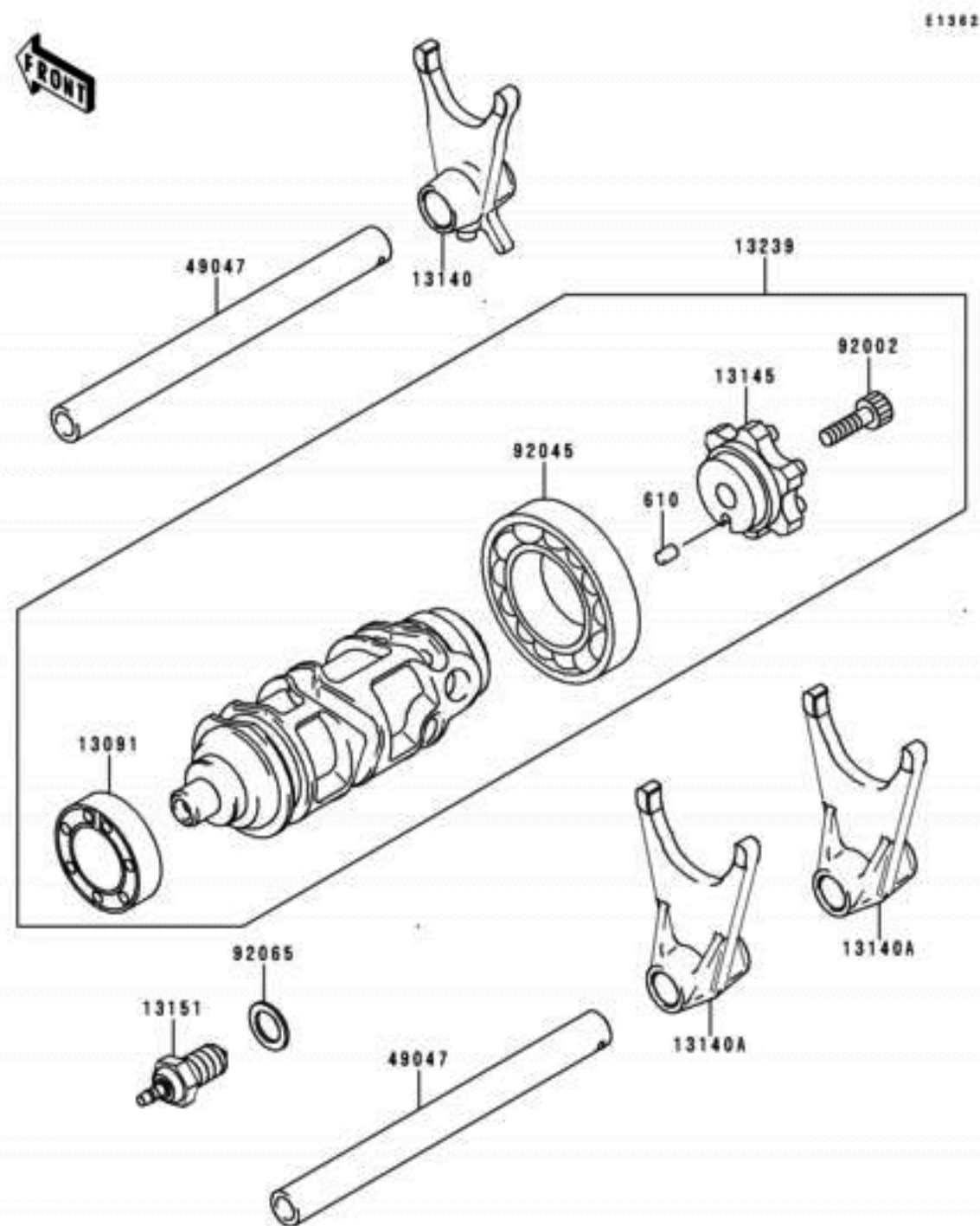




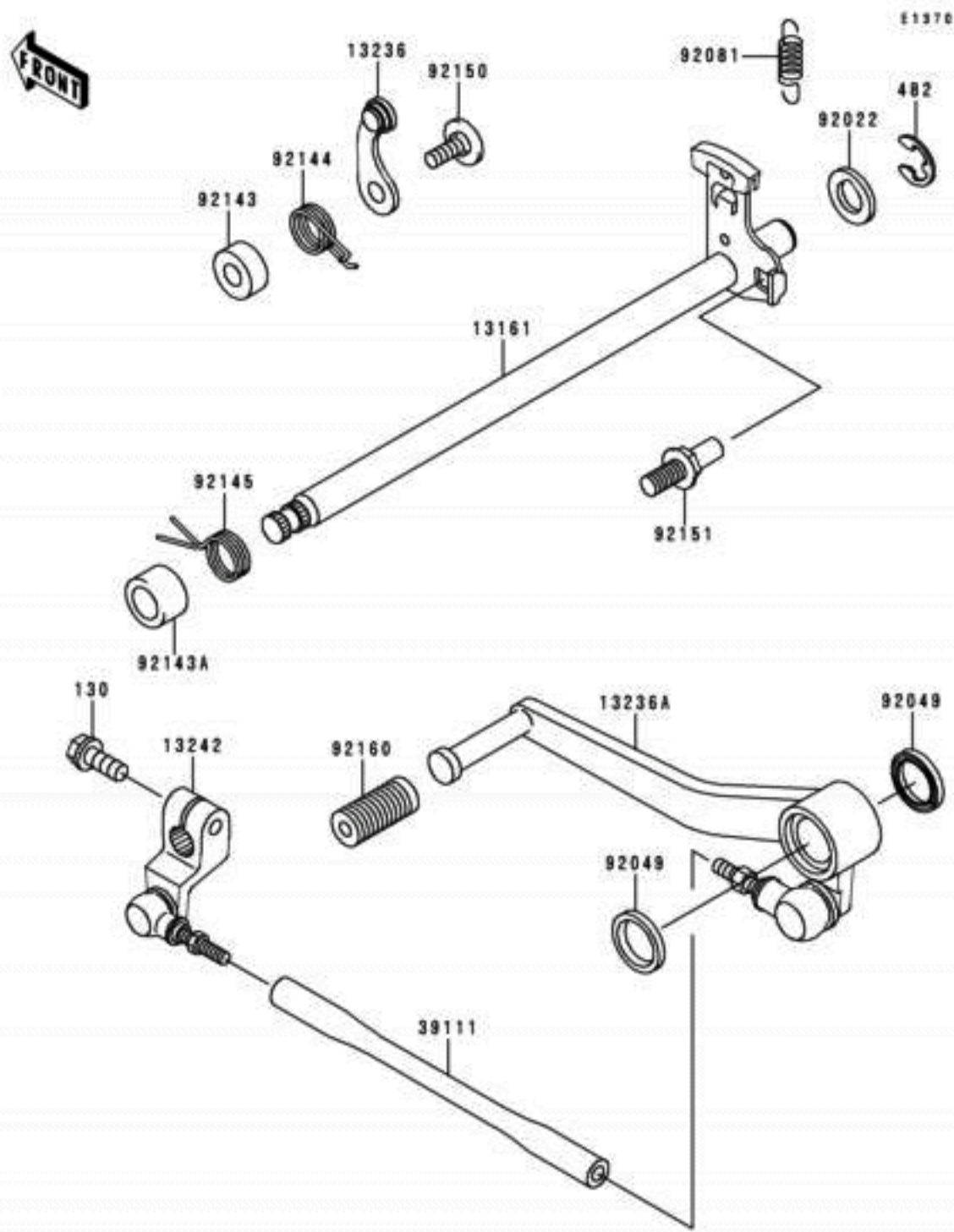
Ref #	Part #	INFO	Description	Qty	Spec Code	Price
14025	14025-1913	INFO	COVER, TANK CAP	1		
39156	39156-1612	INFO	PAD, FUEL TANK, CNT	1		
39156A	39156-1613	INFO	PAD, FUEL TANK, LH	1		
39156B	39156-1614	INFO	PAD, FUEL TANK, RH	1		
43049	43049-1075	INFO	PACKING, TAP VALVE	1		
43058	43058-1083	INFO	RING, TAP LEVER	1		
51023	51023-1237	INFO	TAP-ASSY, FUEL	1		
51049	51049-1091	INFO	CAP-TANK, FUEL	1		
51081F	51081-5113-7F	INFO	TANK-COMP-FUEL, L. GREEN	1	[CN,US]	
51081G	51081-5114-7F	INFO	TANK-COMP-FUEL, L. GREEN	1	[CA]	
51081H	51081-5116-20	INFO	TANK-COMP-FUEL, P.P. BLACK MICA	1	[CN,US]	
51081I	51081-5117-20	INFO	TANK-COMP-FUEL, P.P. BLACK MICA	1	[CA]	
51081K	51081-5120-B1	INFO	TANK-COMP-FUEL, F. RED	1	[CN]	
53044	53044-1296	INFO	TRIM	1		
56030	56030-1195	INFO	LABEL, FUEL TAP	1		
92001	92001-1524	INFO	BOLT, 6X25	2		
92009	92009-1386	INFO	SCREW, 3X8	2		
92022	92022-183	INFO	WASHER, 6.2X11X1.5	2		
92037	92037-010	INFO	CLAMP, TUBE	1		
92055	92055-1112	INFO	RING-O, FUEL TAP PACKING	1		
92075	92075-209	INFO	DAMPER	2		
92077	92077-1123	INFO	KNOB, FUEL TAP	1		
92093	92093-1030	INFO	SEAL, FUEL TANK CAP	1	[CA]	
120	120S0512	INFO	BOLT-SOCKET	7		
130	130J0630	INFO	BOLT-FLANGED, 6X30, BLACK	4		
220	220C0416	INFO	SCREW-PAN-CROS	1		
220A	220C0508	INFO	SCREW-PAN-CROS	1		
702	702A06520	INFO	TUBE-RUBBER, 6X520	1		
92143	92143-1515	INFO	COLLAR	4		
92160	92160-1162	INFO	DAMPER	2		
92200	92200-1087	INFO	WASHER, 6.5X22X1.6	2		



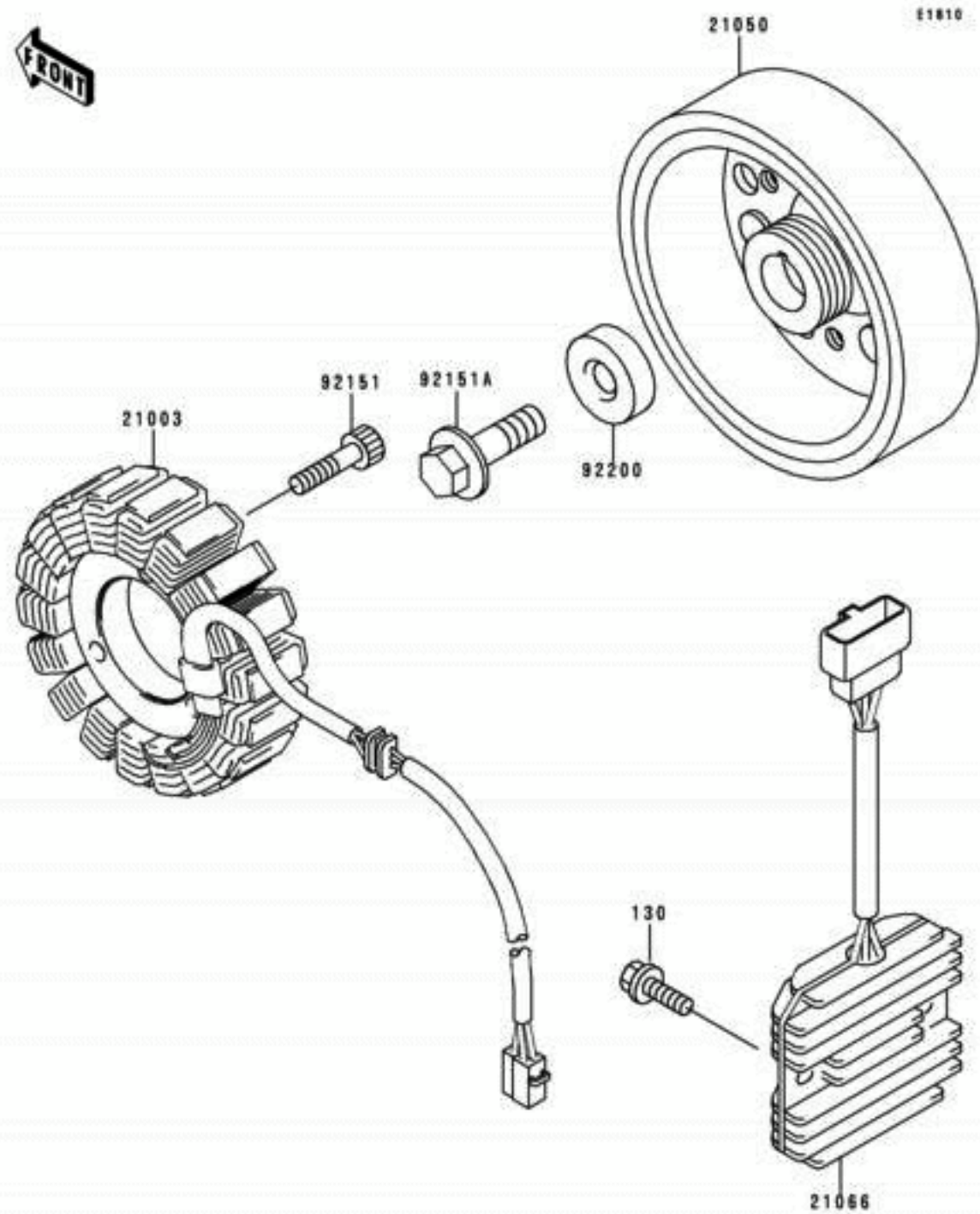
Ref #	Part #	Description	Qty	Spec Code	Price
670	670D1505	<b>INFO</b> O RING	AR		
670A	670D2010	<b>INFO</b> O RING	AR		
11004	11004-1303	<b>INFO</b> GASKET-HEAD	AR		
11009	11009-1461	<b>INFO</b> GASKET,14X19.5X1.4	AR		
11060	11060-1203	<b>INFO</b> GASKET,EXHAUST PIPE	AR		
11060A	11060-1667	<b>INFO</b> GASKET,HEAD COVER	AR		
11060B	11060-1844	<b>INFO</b> GASKET,CYLINDER BASE	AR		
11060C	11060-1851	<b>INFO</b> GASKET,GENERATOR COVER	AR		
11060D	11060-1853	<b>INFO</b> GASKET,CLUTCH COVER	AR		
11060E	11060-1861	<b>INFO</b> GASKET,BEARING CAP	AR		
11060F	11060-1866	<b>INFO</b> GASKET,OIL PAN	AR		
11060G	11060-1867	<b>INFO</b> GASKET,PULSING COVER	AR		
92049	92049-1308	<b>INFO</b> SEAL-OIL,VALVE GUIDE	AR		
92055	92055-1403	<b>INFO</b> RING-O,25.5X2	AR		
92055A	92055-1469	<b>INFO</b> RING-O,11.5X1.5	AR		
92055B	92055-1532	<b>INFO</b> RING-O,WATER PUMP COVER	AR		
92055C	92055-1583	<b>INFO</b> RING-O,TENSIONER	AR		
92055D	92055-1591	<b>INFO</b> RING-O,9.5X1.9	AR		
92055E	92055-3018	<b>INFO</b> RING-O	AR		
92065	92065-097	<b>INFO</b> GASKET,12X22X2,DRAIN PLUG	AR		
99996	99996-1274	<b>INFO</b> KIT,GASKET TOP END,ZX600G	AR		
99996A	99996-1275	<b>INFO</b> KIT,GASKET BOTTOM END,ZX600G	AR		



Ref #	Part #	Description	Qty	Spec Code	Price
610	610A0406	<b>INFO</b> ROLLER, 4X6	1		
13091	13091-1791	<b>INFO</b> HOLDER	1		
13140	13140-1231	<b>INFO</b> FORK-SHIFT, INPUT	1		
13140A	13140-1232	<b>INFO</b> FORK-SHIFT, OUTPUT	2		
13145	13145-1082	<b>INFO</b> CAM-CHANGE DRUM	1		
13151	13151-1085	<b>INFO</b> SWITCH-COMP	1		
13239	13239-1192	<b>INFO</b> DRUM-ASSY-CHANGE	1		
49047	49047-1095	<b>INFO</b> ROD-SHIFT, IN	2		
92002	92002-1696	<b>INFO</b> BOLT, SOCKET, 6X25	1		
92045	92045-1045	<b>INFO</b> BEARING-BALL, 16005(NTN)	1		
92065	92065-058	<b>INFO</b> GASKET, 10.5X16X1, DRAIN PLUG	1		



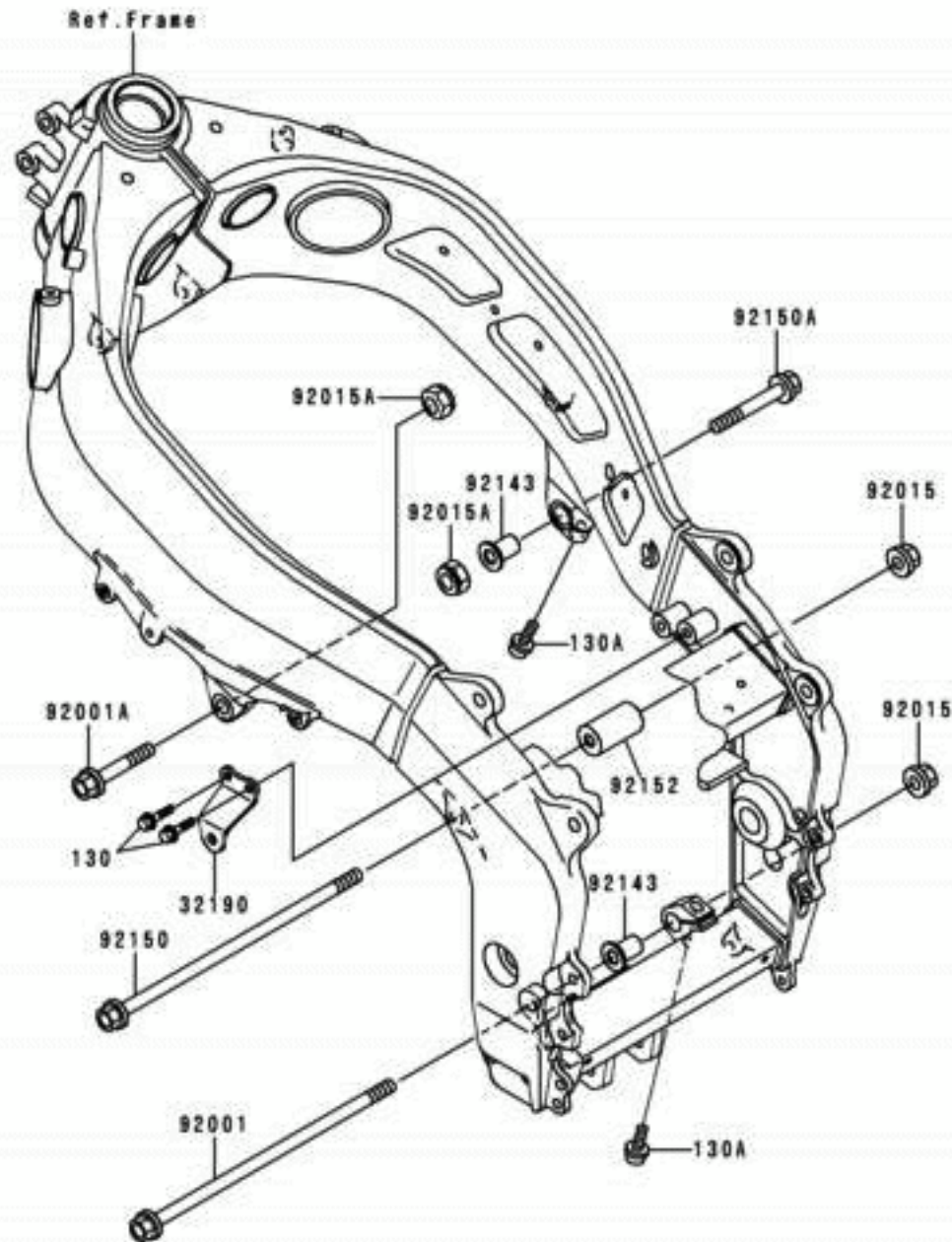
Ref #	Part #	Description	Qty	Spec Code	Price
130	130Z0620	<b>INFO</b> BOLT-FLANGED	1		
482	482J0200	<b>INFO</b> CIRCLIP-TYPE-E,12MM	1		
13161	13161-1216	<b>INFO</b> LEVER-COMP-CHANGE SHAFT	1		
13236	13236-1243	<b>INFO</b> LEVER-COMP	1		
13236A	13236-1317	<b>INFO</b> LEVER-COMP,CHANGE PEDAL	1		
13242	13242-1348	<b>INFO</b> LEVER-ASSY-CHANGE,BOSS	1		
39111	39111-1165	<b>INFO</b> ROD-TIE	1		
92022	92022-1628	<b>INFO</b> WASHER,CHANGE SHAFT	1		
92049	92049-1492	<b>INFO</b> SEAL-OIL	2		
92081	92081-1708	<b>INFO</b> SPRING,PAWL RETURN	1		
92143	92143-1595	<b>INFO</b> COLLAR	1		
92143A	92143-1733	<b>INFO</b> COLLAR,13.2X19.9X12	1		
92144	92144-1856	<b>INFO</b> SPRING	1		
92145	92145-1122	<b>INFO</b> SPRING	1		
92150	92150-1737	<b>INFO</b> BOLT,SOCKET,6X16	1		
92151	92151-1362	<b>INFO</b> BOLT,RETURN SPRING	1		
92160	92160-1036	<b>INFO</b> DAMPER,CHANGE PEDAL	1		



Ref #	Part #	Description	Qty	Spec Code	Price
130	130H0620	<b>INFO</b> BOLT-FLANGED	2		
21003	21003-1330	<b>INFO</b> STATOR	1		
21050	21050-1177	<b>INFO</b> FLYWHEEL	1		
21066	21066-1099	<b>INFO</b> REGULATOR-VOLTAGE	1		
92151	92151-1364	<b>INFO</b> BOLT, SOCKET, 6X28	3		
92151A	92151-1395	<b>INFO</b> BOLT, FLYWHEEL	1		
92200	92200-1241	<b>INFO</b> WASHER	1		



#2131



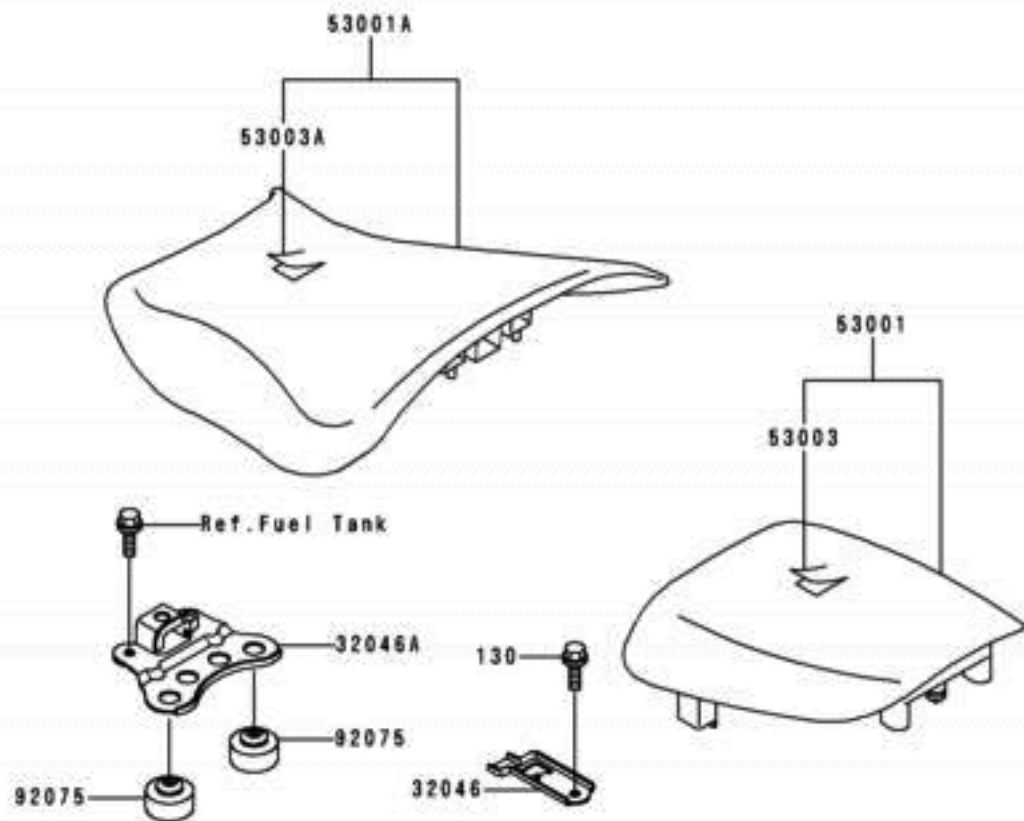
Ref #	Part #	Description	Qty	Spec Code	Price
130	130J0820	<b>INFO</b> BOLT-FLANGED,8X20	2		
130A	130J0840	<b>INFO</b> BOLT-FLANGED,8X40	2		
32190	32190-1148	<b>INFO</b> BRACKET-ENGINE,RR,UPP,RH	1		
92001	92001-1677	<b>INFO</b> BOLT,FLANGED,10X200,BLACK	1		
92001A	92001-1709	<b>INFO</b> BOLT,FLANGED,10X80	1		
92015	92015-1180	<b>INFO</b> NUT,FLANGED,10MM	2		
92015A	92015-1189	<b>INFO</b> NUT,LOCK,10MM,BLACK	2		
92143	92143-1615	<b>INFO</b> COLLAR,ENGINE MOUNT,L=26.5	2		
92150	92150-1263	<b>INFO</b> BOLT,FLANGED,10X235	1		
92150A	92150-1804	<b>INFO</b> BOLT,FLANGED,10X87	1		
92152	92152-1062	<b>INFO</b> COLLAR,10.5X26X70	1		

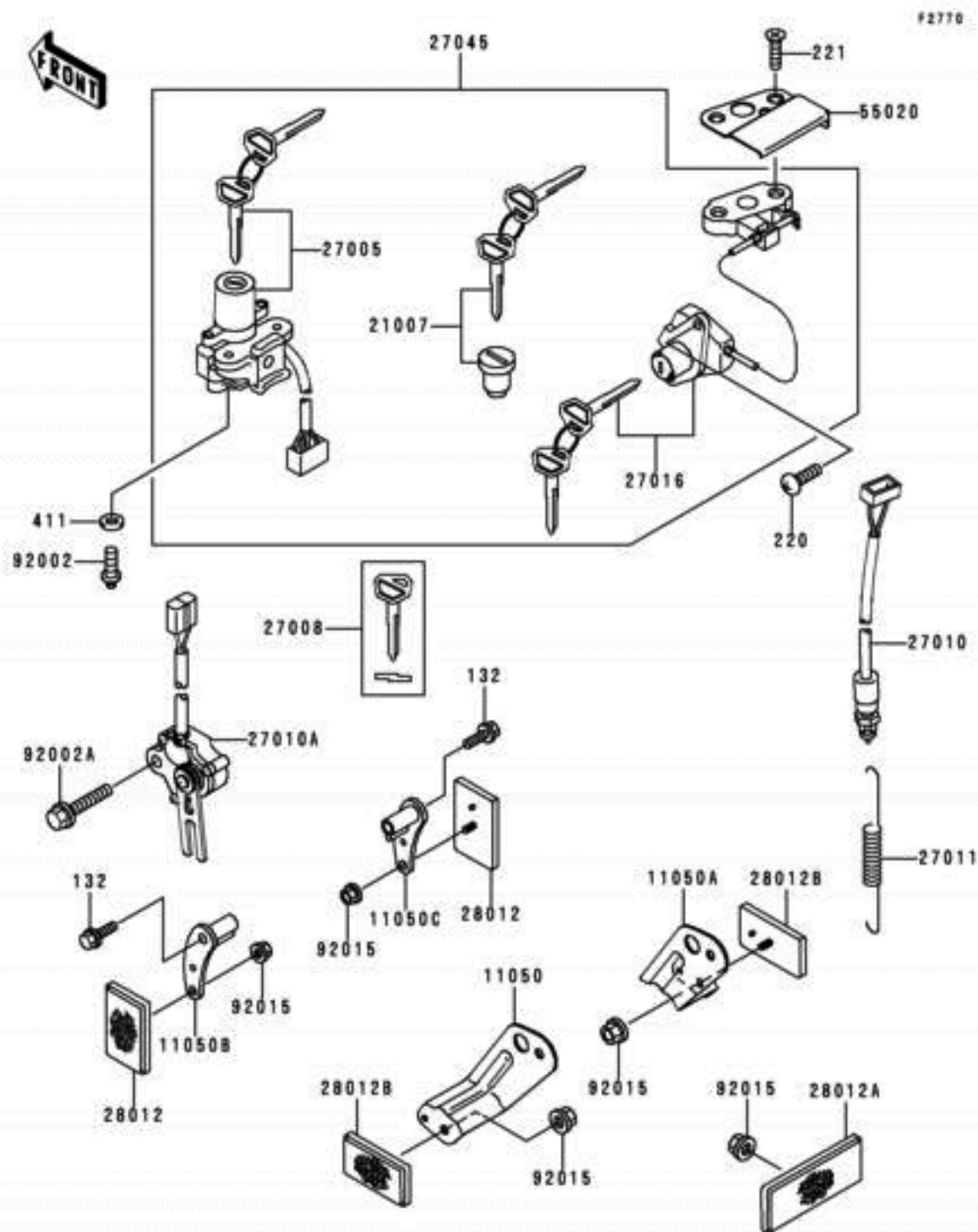




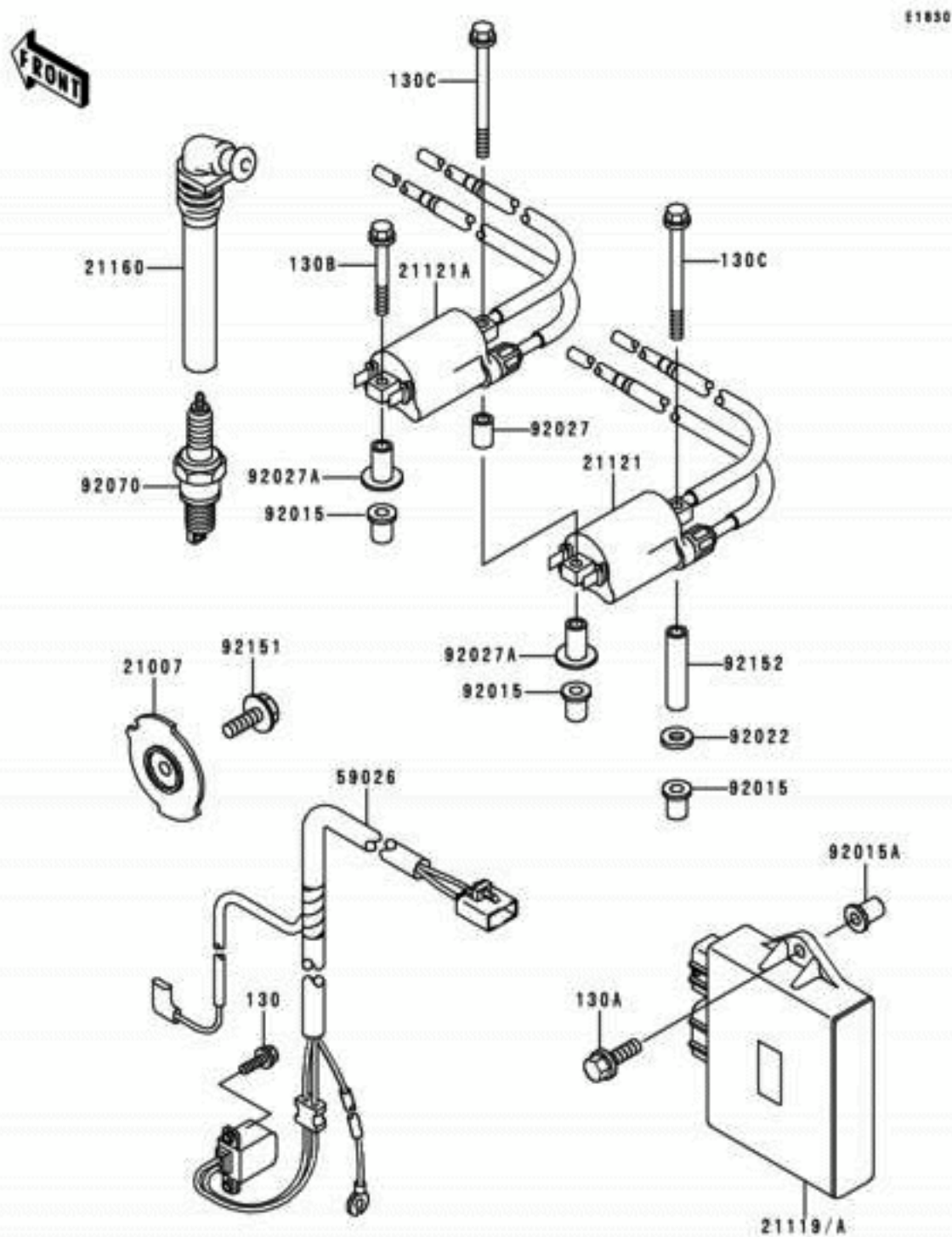
F2510

Ref #	Part #	INFO	Description	Qty	Spec Code	Price
130	130J0610	INFO	BOLT-FLANGED	1		
32046	32046-1437	INFO	BRACKET-SEAT,RR	1		
32046A	32046-1447	INFO	BRACKET-SEAT,FR	1		
53001	53001-1866-MA	INFO	SEAT-ASSY,RR,BLACK	1		
53001A	53001-1871-MA	INFO	SEAT-ASSY,FR,BLACK	1		
53003	53003-1407-MA	INFO	LEATHER,REAR SEAT,BLACK	1		
53003A	53003-1409-MA	INFO	LEATHER,FRONT SEAT,BLACK	1		
92075	92075-1737	INFO	DAMPER	2		



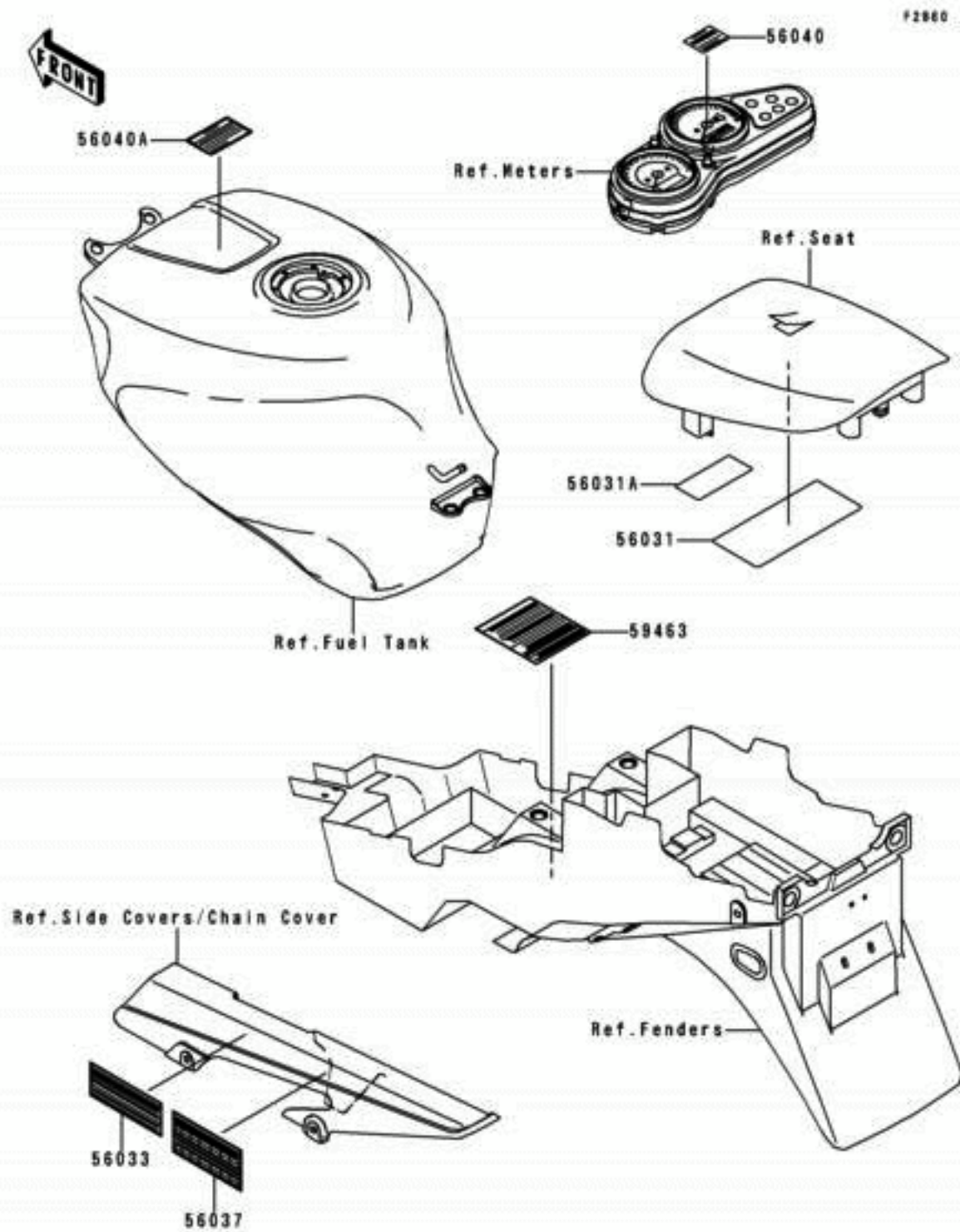


Ref #	Part #	Description	Qty	Spec Code	Price
132	132J0635	<b>INFO</b> BOLT-FLANGED-SMALL	2		
220	220C0612	<b>INFO</b> SCREW-PAN-CROS,6X12	2		
221	221B0628	<b>INFO</b> SCREW-CSK-CROS,6X28	2		
411	411E0600	<b>INFO</b> WASHER-PLAIN,6MM	2		
11050	11050-1483	<b>INFO</b> BRACKET,REFLECTOR,RR,LH	1		
11050A	11050-1484	<b>INFO</b> BRACKET,REFLECTOR,RR,RH	1		
11050B	11050-1849	<b>INFO</b> BRACKET,REFLECTOR,FR,LH	1		
11050C	11050-1850	<b>INFO</b> BRACKET,REFLECTOR,FR,RH	1		
21007	21007-5035	<b>INFO</b> ROTOR,LOCK,TANK CAP	1		
27005	27005-1213	<b>INFO</b> SWITCH-ASSY-IGNITION	1		
27008	27008-1170	<b>INFO</b> KEY-LOCK,BLANK	1	(OPTION)	
27010	27010-1152	<b>INFO</b> SWITCH,BRAKE LAMP	1		
27010A	27010-1344	<b>INFO</b> SWITCH,SIDE STAND	1		
27011	27011-017	<b>INFO</b> SPRING,BRAKE LAMP SWITCH	1		
27016	27016-5241	<b>INFO</b> LOCK-ASSY,SEAT	1		
27045	27045-5067	<b>INFO</b> SWITCH-ASSY	1		
28012	28012-1003	<b>INFO</b> REFLECTOR-REFLEX	2		
28012A	28012-1077	<b>INFO</b> REFLECTOR-REFLEX	1		
28012B	28012-1078	<b>INFO</b> REFLECTOR-REFLEX,RR	2		
55020	55020-1483	<b>INFO</b> GUARD,SEAT LOCK	1		
92002	92002-1333	<b>INFO</b> BOLT,TORX,6X16	2		
92002A	92002-1582	<b>INFO</b> BOLT,6X25	1		
92015	92015-1259	<b>INFO</b> NUT,FLANGED,5MM	5		



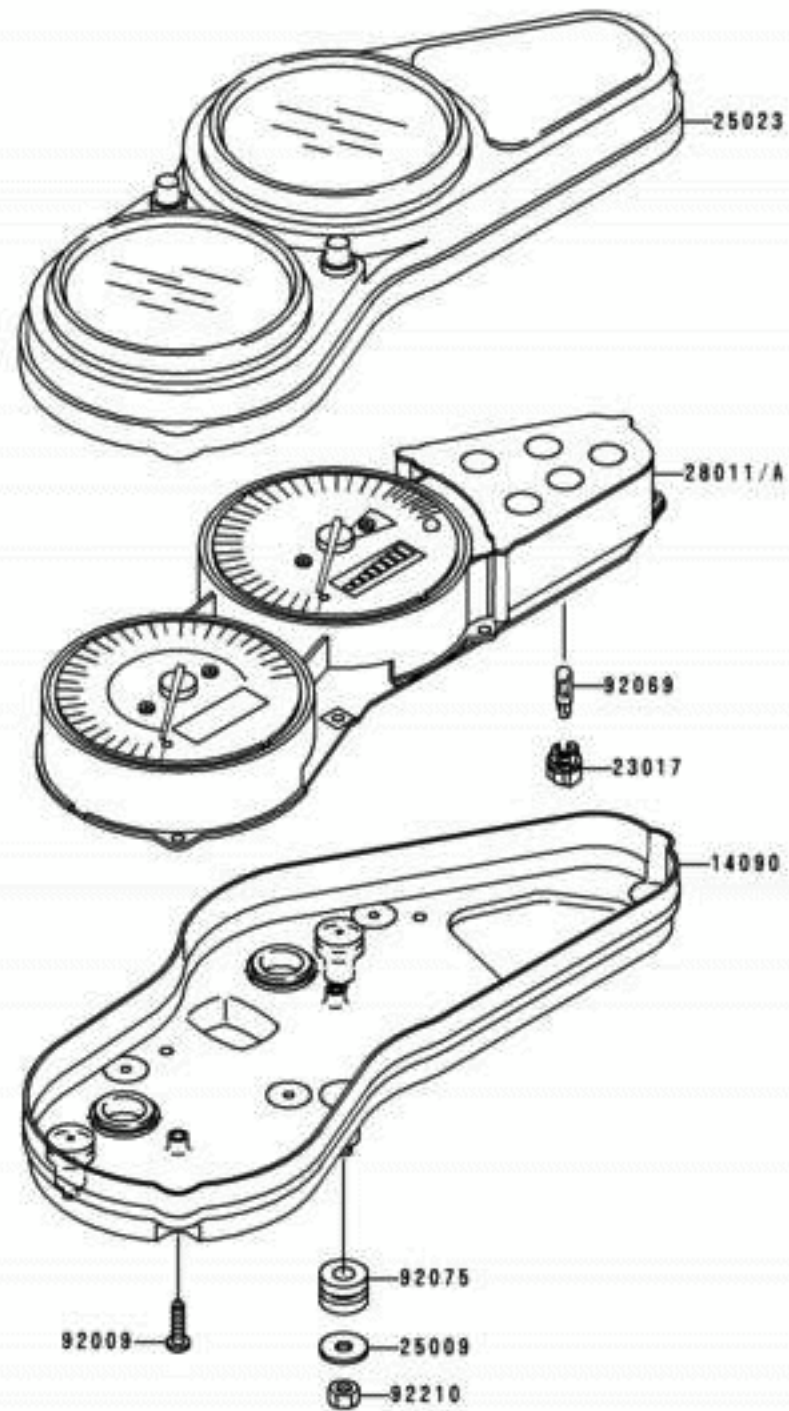
Ref #	Part #	Description	Qty	Spec Code	Price
130	130G0512	<b>INFO</b> BOLT-FLANGED	2		
130A	130J0620	<b>INFO</b> BOLT-FLANGED	2		
130B	130R0650	<b>INFO</b> BOLT-FLANGED	1		
130C	130R0675	<b>INFO</b> BOLT-FLANGED	2		
21007	21007-1331	<b>INFO</b> ROTOR	1		
21119	21119-1513	<b>INFO</b> IGNITER	1	[CN,US]	
21119A	21119-1514	<b>INFO</b> IGNITER	1	[CA]	
21121	21121-1277	<b>INFO</b> COIL-IGNITION,#1□	1		
21121A	21121-1280	<b>INFO</b> COIL-IGNITION,#2□	1		
21160	21160-1088	<b>INFO</b> CAP-ASSY-PLUG	4		
59026	59026-1129	<b>INFO</b> COIL-PULSING	1		
92015	92015-1692	<b>INFO</b> NUT	3		
92015A	92015-1700	<b>INFO</b> NUT	2		
92022	92022-1342	<b>INFO</b> WASHER,6.5X16X2	1		
92027	92027-1453	<b>INFO</b> COLLAR,6.3X10X14	1		
92027A	92027-195	<b>INFO</b> COLLAR,L=21	2		
92070	92070-1143	<b>INFO</b> PLUG-SPARK,CR9E(NGK)	4		
92151	92151-1308	<b>INFO</b> BOLT,8X23	1		
92152	92152-1094	<b>INFO</b> COLLAR	1		

Ref #	Part #	Description	Qty	Spec Code	Price
56031	56031-1914	<b>INFO</b> LABEL-MANUAL,DAILY SAFETY	1		
56031A	56031-1916	<b>INFO</b> LABEL-MANUAL,OIL&OIL FILTER	1		
56033	56033-1111	<b>INFO</b> LABEL-MANUAL,CHAIN	1		
56037	56037-1802	<b>INFO</b> LABEL-SPECIFICATION,TIRE&LOAD	1		
56040	56040-1007	<b>INFO</b> LABEL-WARNING,BREAK IN CAUTION	1	[CA,US]	
56040A	56040-1121	<b>INFO</b> LABEL-WARNING,EVAPO	1	[CA]	
59463	59463-1206	<b>INFO</b> LABEL-CERTIFICATION,EVAPO ROUT	1	[CA]	



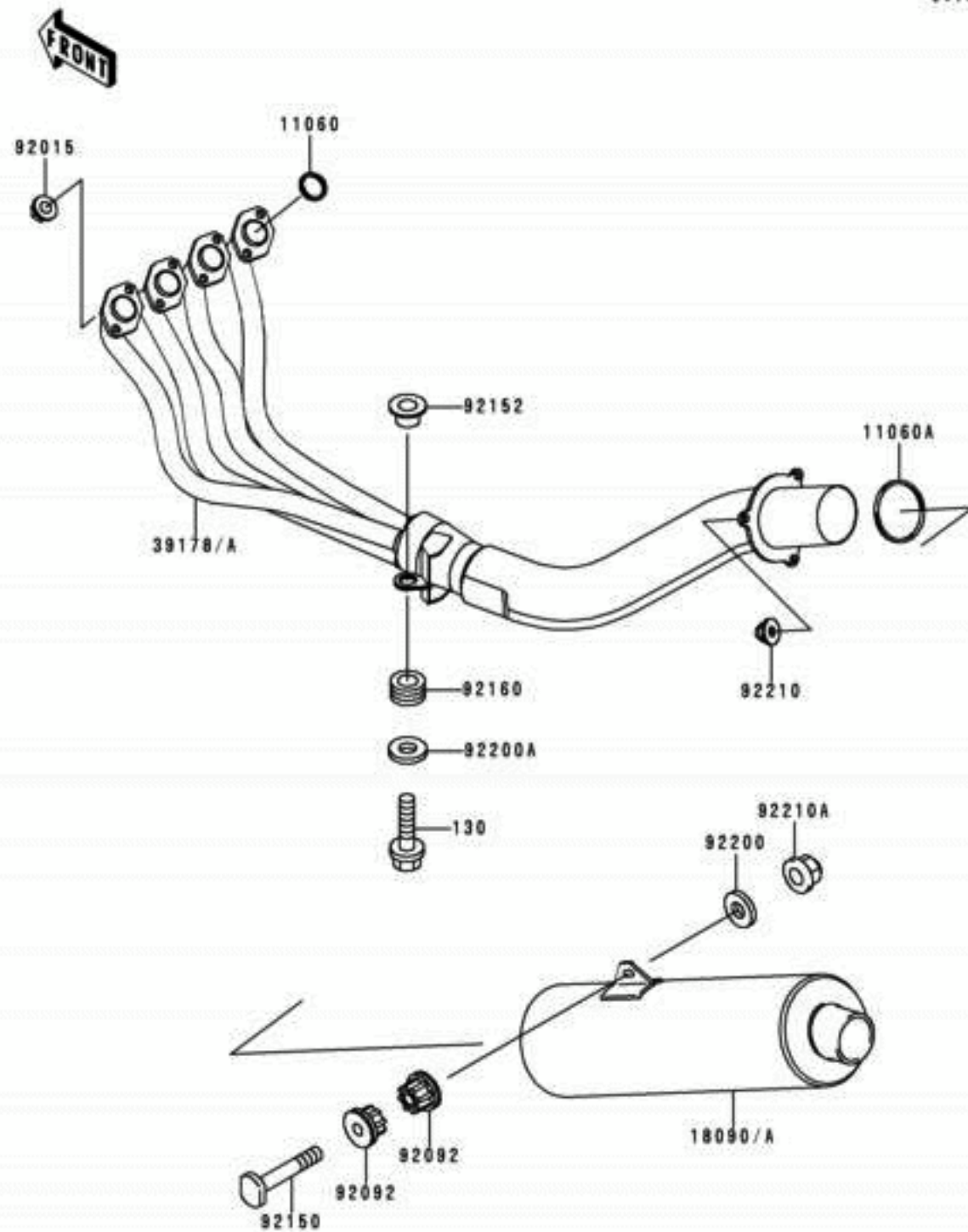
FRONT

F2530



Ref #	Part #	INFO	Description	Qty	Spec Code	Price
14090	14090-1872	INFO	COVER,METER HOUSING	1		
23017	23017-1063	INFO	SOCKET,WEDGE BASE,T-5	7		
25009	25009-004	INFO	WASHER,5.2X16X1.2	3		
25023	25023-1233	INFO	COVER-METER CASE,UPP	1		
28011	28011-1175	INFO	METER,SPEED&TACHO,MPH	1	[CA,US]	
28011A	28011-1176	INFO	METER,SPEED&TACHO,KPH	1	[CN]	
92009	92009-1158	INFO	SCREW,4X16,BLACK	6		
92069	92069-1105	INFO	BULB,T-5,12V 2W	7		
92075	92075-1435	INFO	DAMPER,METER BRACKET	3		
92210	92210-1124	INFO	NUT,5MM	3		

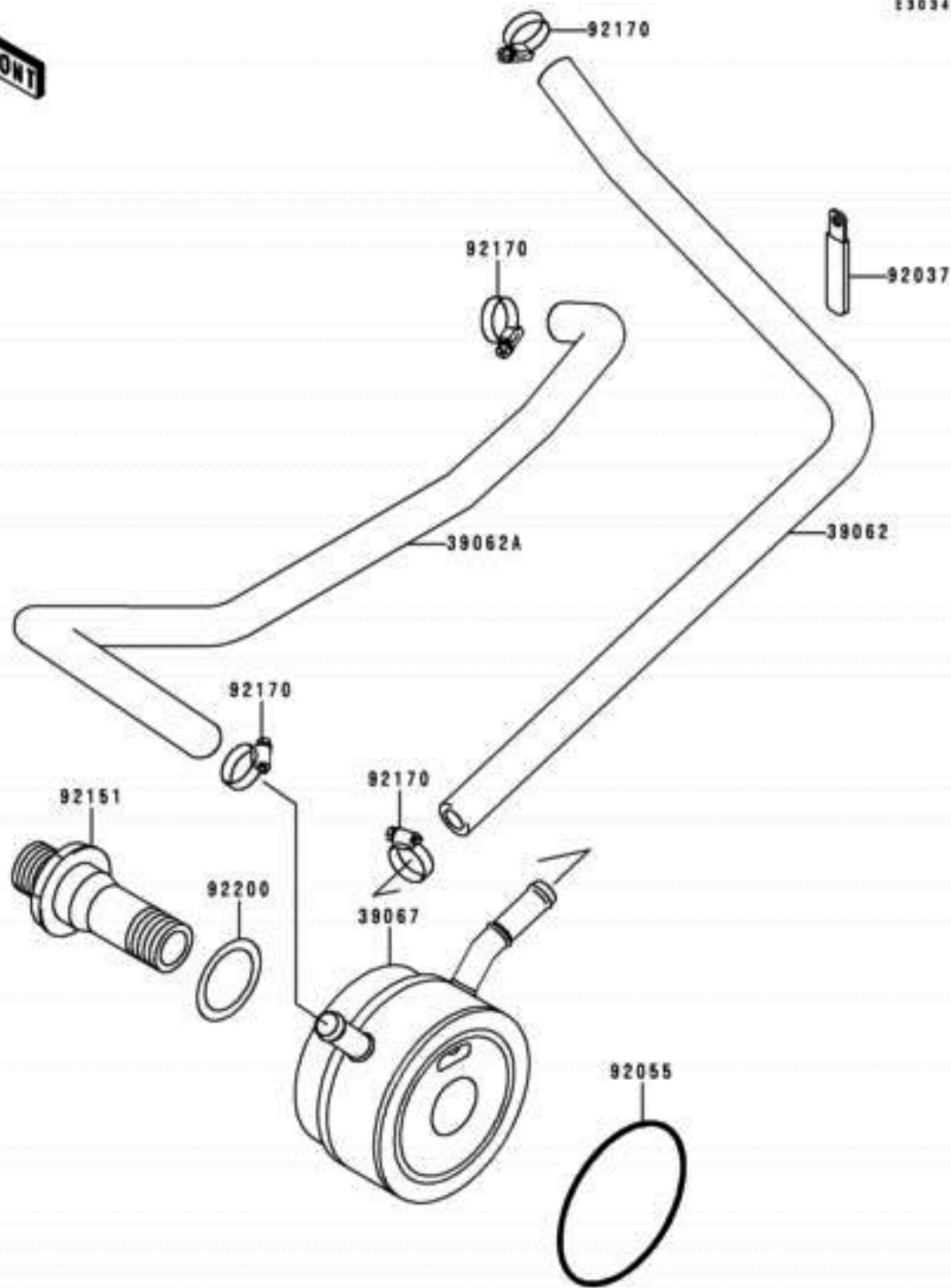
E1140



Ref #	Part #	Description	Qty	Spec Code	Price
130	130Z0835	<b>INFO</b> BOLT-FLANGED	1		
11060	11060-1203	<b>INFO</b> GASKET,EXHAUST PIPE	4		
11060A	11060-1813	<b>INFO</b> GASKET,MUFFLER CONNECTING	1		
18090	18090-1666	<b>INFO</b> BODY-COMP-MUFFLER	1	[CN,US]	
18090A	18090-1668	<b>INFO</b> BODY-COMP-MUFFLER	1	[CA]	
39178	39178-1263	<b>INFO</b> MANIFOLD-COMP-EXHAUST	1	[CN,US]	
39178A	39178-1264	<b>INFO</b> MANIFOLD-COMP-EXHAUST	1	[CA]	
92015	92015-1402	<b>INFO</b> NUT,8MM	8		
92092	92092-1013	<b>INFO</b> BUSHING-RUBBER,MUFFLER	2		
92150	92150-1792	<b>INFO</b> BOLT,10X55	1		
92152	92152-1059	<b>INFO</b> COLLAR	1		
92160	92160-1543	<b>INFO</b> DAMPER,MUFFLER	1		
92200	92200-1377	<b>INFO</b> WASHER,10.5X25X2.0	1		
92200A	92200-1392	<b>INFO</b> WASHER,8.5X28X3.2	1		
92210	92210-1120	<b>INFO</b> NUT,CAP,8MM	3		
92210A	92210-1121	<b>INFO</b> NUT,CAP,10MM	1		



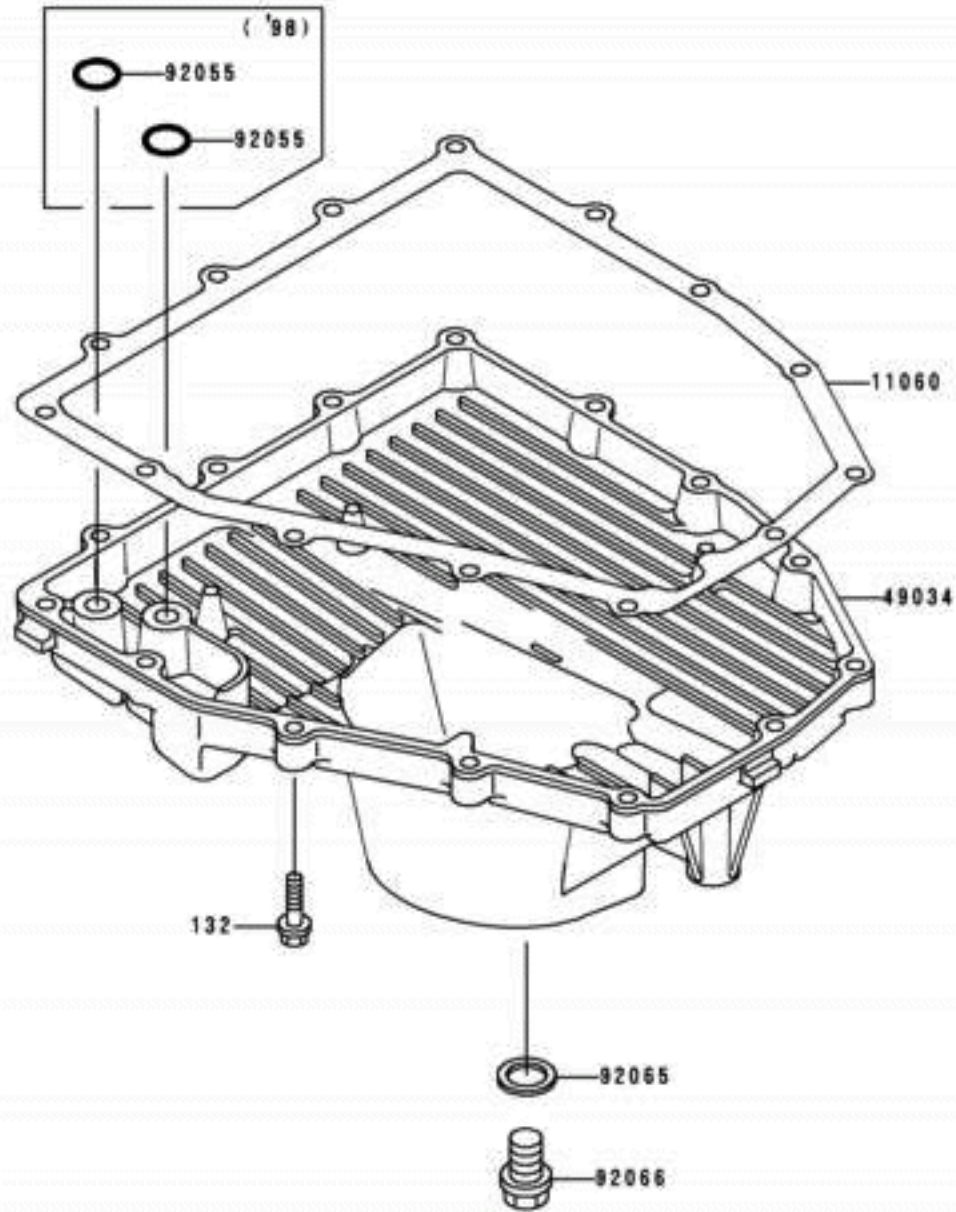
13034



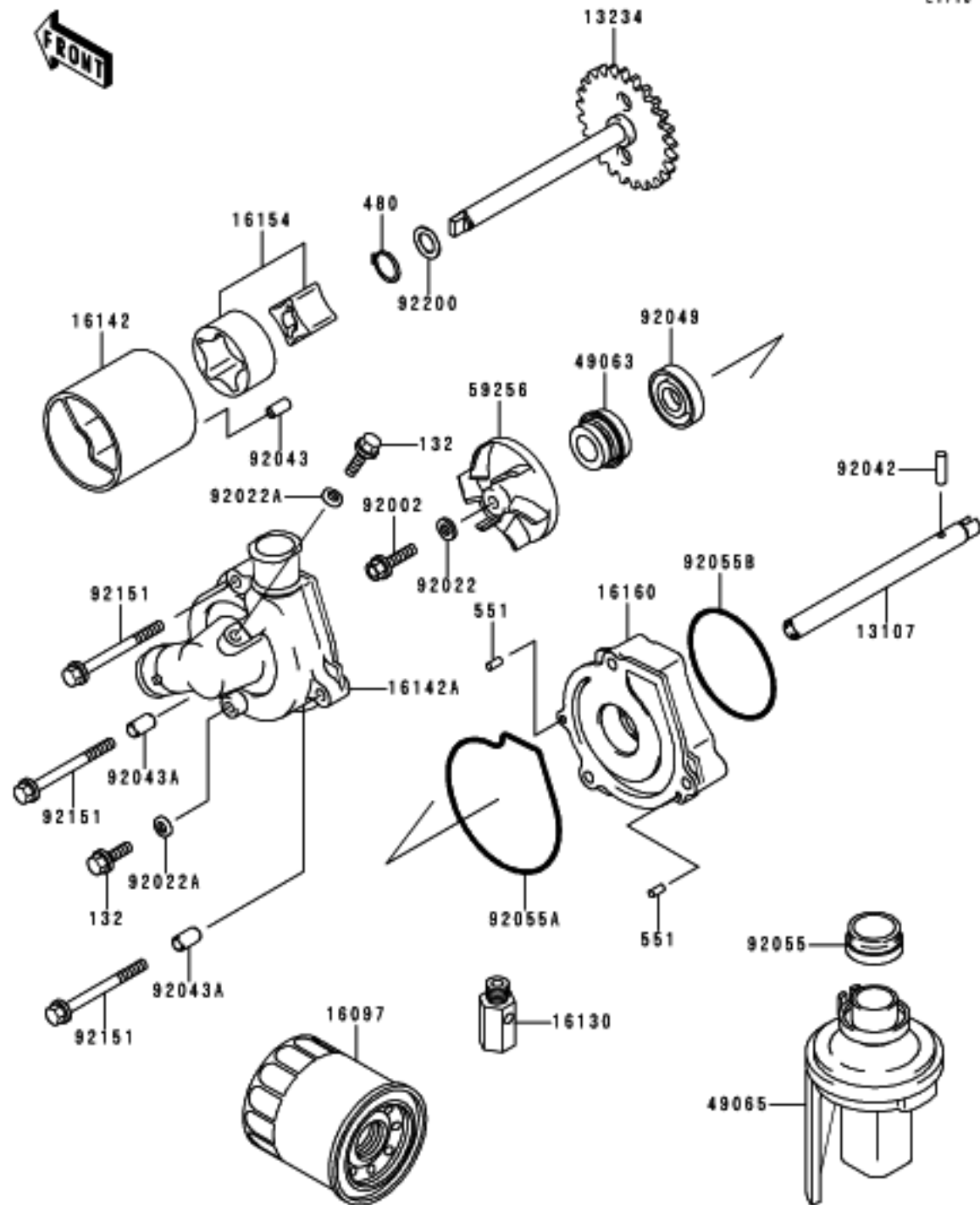
Ref #	Part #	Description	Qty	Spec Code	Price
39062	39062-1748	<b>INFO</b> HOSE-COOLING,COOLER-RADIATOR	1		
39062A	39062-1749	<b>INFO</b> HOSE-COOLING,COOLER-CYLINDER	1		
39067	39067-1066	<b>INFO</b> COOLER-OIL	1		
92037	92037-1069	<b>INFO</b> CLAMP,WIRING HARNESS,L=60	1		
92055	92055-1581	<b>INFO</b> RING-O,OIL COOLER	1		
92151	92151-1366	<b>INFO</b> BOLT,OIL COOLER	1		
92170	92170-1287	<b>INFO</b> CLAMP,COOLING HOSE	4		
92200	92200-1379	<b>INFO</b> WASHER,OIL COOLER	1		

Ref #	Part #	Description	Qty	Spec Code	Price
132	132J0630	<b>INFO</b> BOLT-FLANGED-SMALL	14		
11060	11060-1866	<b>INFO</b> GASKET,OIL PAN	1		
49034	49034-1127	<b>INFO</b> PAN-OIL	1		
92065	92065-097	<b>INFO</b> GASKET,12X22X2,DRAIN PLUG	1		
92066	92066-1174	<b>INFO</b> PLUG,OIL DRAIN,12X15	1		

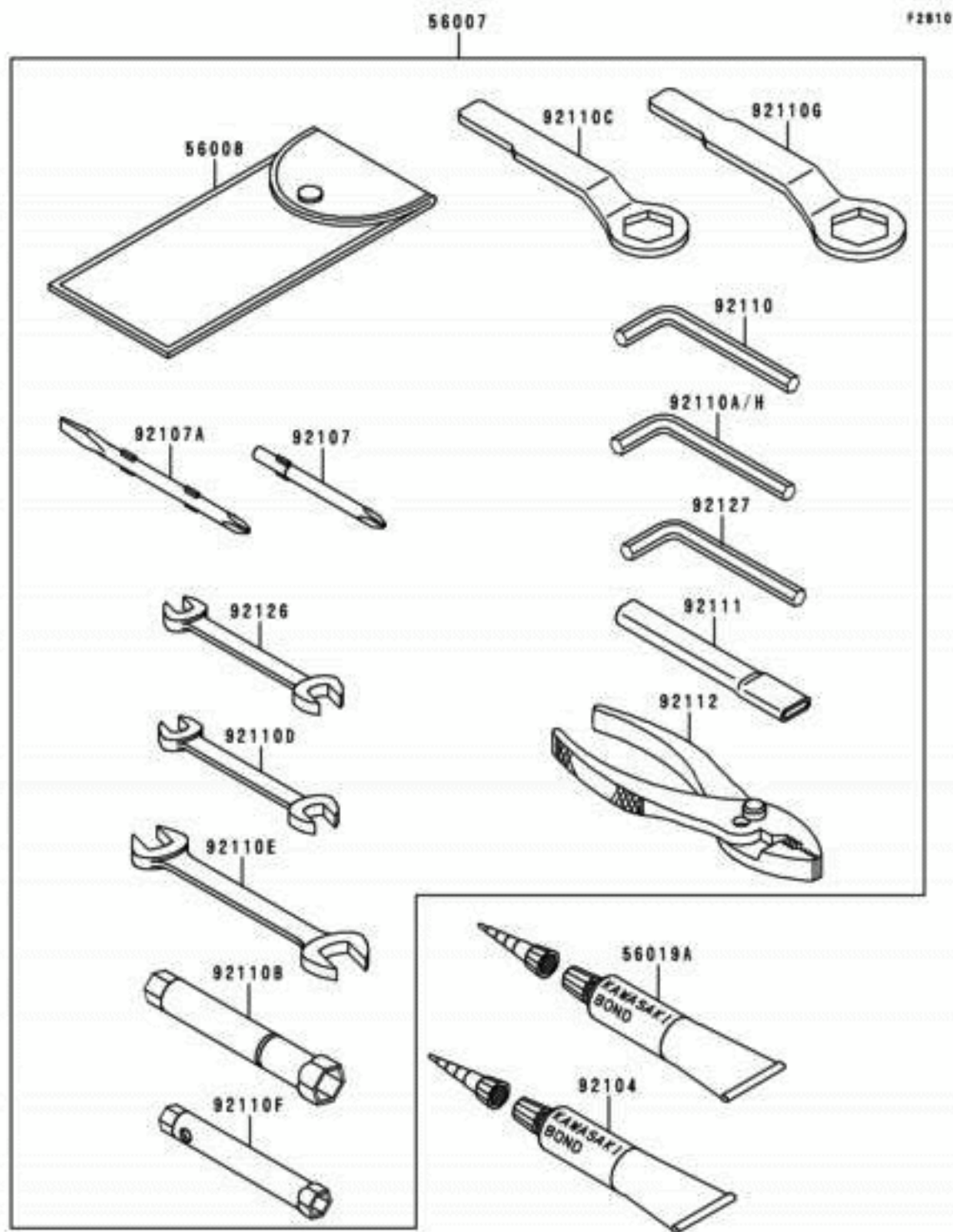
E1434





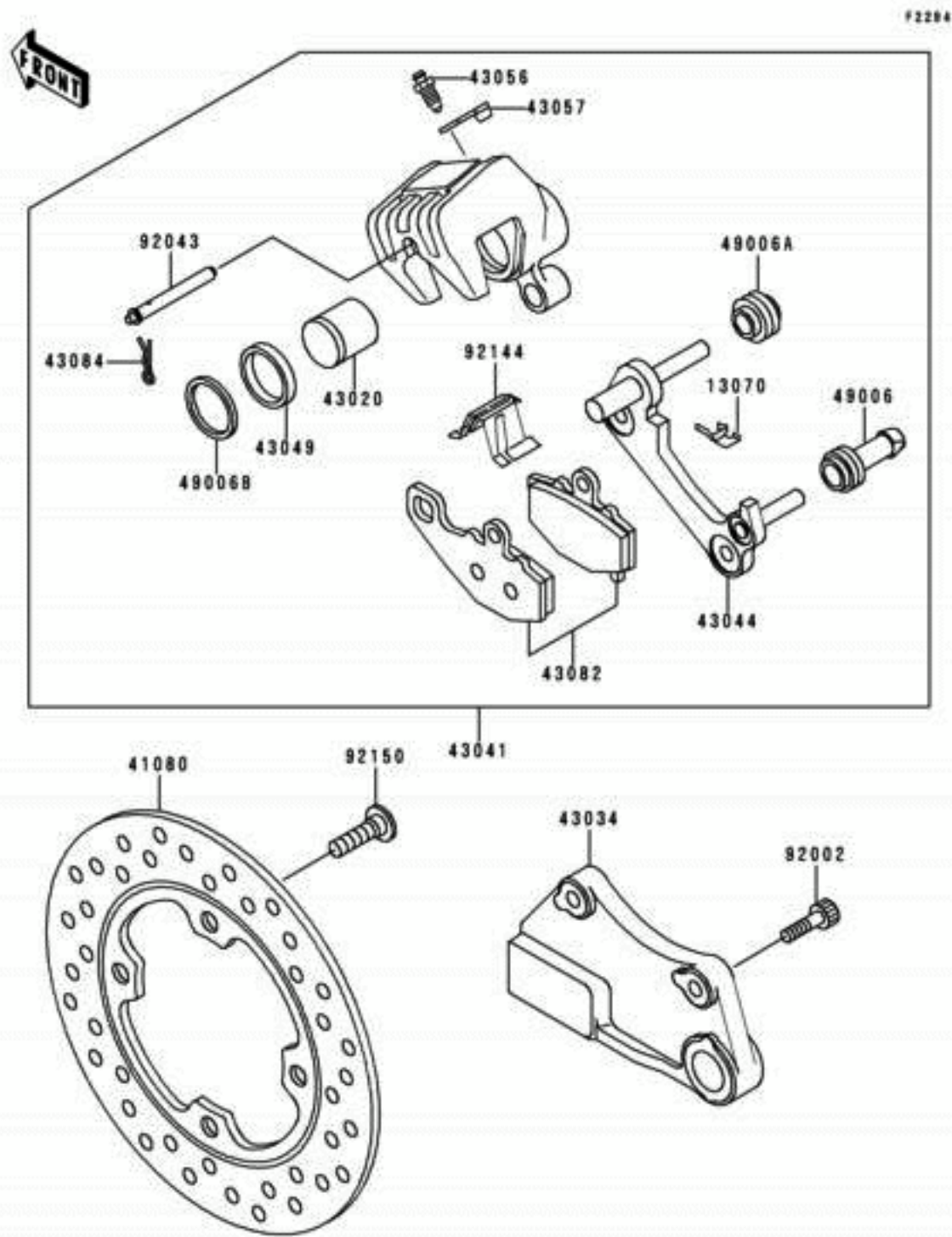


Ref #	Part #	Description	Qty	Spec Code	Price
132	132Y0612	<b>INFO</b> BOLT-FLANGED-SMALL	2		
480	480J1100	<b>INFO</b> CIRCLIP-TYPE-C,11MM	1		
551	551A0408	<b>INFO</b> PIN-DOWEL,4X8	2		
13107	13107-1398	<b>INFO</b> SHAFT,PUMP,LH	1		
13234	13234-1106	<b>INFO</b> SHAFT-COMP,PUMP,RH	1		
16097	16097-1067	<b>INFO</b> FILTER-ASSY-OIL	1		
16130	16130-1058	<b>INFO</b> VALVE-ASSY-RELIEF	1		
16142	16142-1133	<b>INFO</b> COVER-PUMP,OIL	1		
16142A	16142-1152	<b>INFO</b> COVER-PUMP,WATER	1		
16154	16154-1115	<b>INFO</b> ROTOR-PUMP	1		
16160	16160-1288	<b>INFO</b> BODY	1		
49063	49063-1002	<b>INFO</b> SEAL-MECHANICAL,WATER PUMP	1		
49065	49065-1073	<b>INFO</b> FILTER-OIL	1		
59256	59256-1073	<b>INFO</b> IMPELLER	1		
92002	92002-1154	<b>INFO</b> BOLT,6X22	1		
92022	92022-077	<b>INFO</b> WASHER,6.1X12X1	1		
92022A	92022-304	<b>INFO</b> WASHER,6.2X11X1	2		
92042	92042-014	<b>INFO</b> PIN,DOWEL,4X15.8	1		
92043	92043-1262	<b>INFO</b> PIN,4.2X6X12	1		
92043A	92043-1263	<b>INFO</b> PIN,6.2X8X14	2		
92049	92049-1336	<b>INFO</b> SEAL-OIL,OIL PUMP	1		
92055	92055-1503	<b>INFO</b> RING-O,OIL FILTER	1		
92055A	92055-1532	<b>INFO</b> RING-O,WATER PUMP COVER	1		
92055B	92055-3018	<b>INFO</b> RING-O	1		
92151	92151-1307	<b>INFO</b> BOLT,6X60	3		
92200	92200-1009	<b>INFO</b> WASHER	1		

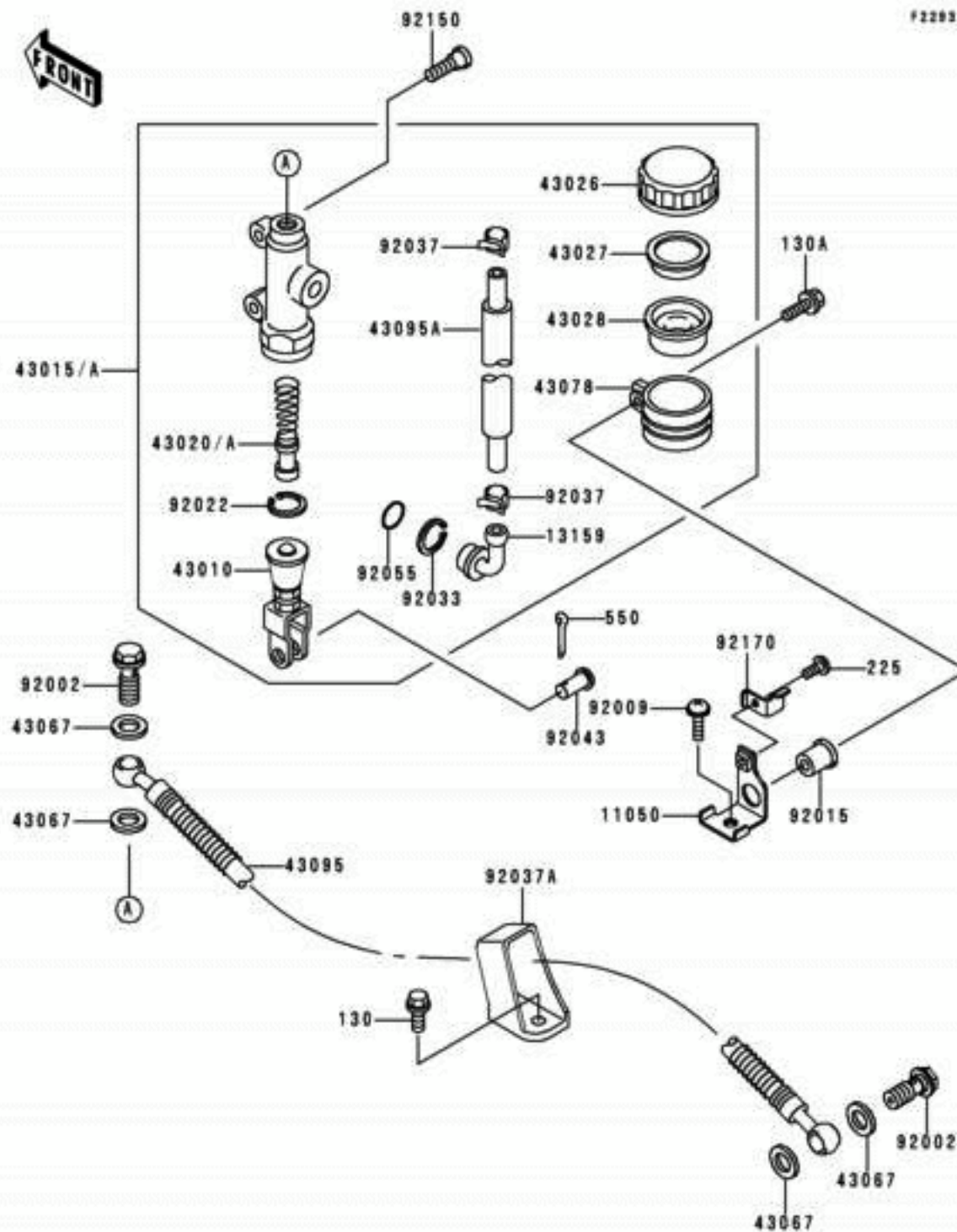


Ref #	Part #	Description	Qty	Spec Code	Price
56007	56007-1418	<b>INFO</b> TOOL-KIT	1		
56008	56008-1075	<b>INFO</b> BAG, TOOL	1		
56019A	56019-120	<b>INFO</b> THREE BOND TB1211, HT/RS, WHITE	1		
92104	92104-1003	<b>INFO</b> GASKET-LIQUID, TUBE, 100G, BLACK	1		
92107	92107-005	<b>INFO</b> TOOL-DRIVER, #3PHILLIPS	1		
92107A	92107-1051	<b>INFO</b> TOOL-DRIVER, #2PHILLIPS&SLOT	1		
92110	92110-1015	<b>INFO</b> TOOL-WRENCH, ALLEN, 5MM	1		
92110A	92110-1140	<b>INFO</b> TOOL-WRENCH, ALLEN, 3MM	1		
92110B	92110-1146	<b>INFO</b> TOOL-WRENCH, BOX, 16MM	1		
92110C	92110-1147	<b>INFO</b> TOOL-WRENCH, BOX END, 27MM	1		
92110D	92110-1152	<b>INFO</b> TOOL-WRENCH, OPEN END, 10X12	1		
92110E	92110-1153	<b>INFO</b> TOOL-WRENCH, OPEN END, 14X17	1		
92110F	92110-1160	<b>INFO</b> TOOL-WRENCH, BOX, 8&10MM	1		
92110G	92110-1161	<b>INFO</b> TOOL-WRENCH, BOX END, 32MM	1		
92110H	92110-3703	<b>INFO</b> TOOL-WRENCH, ALLEN, 4MM	1		
92111	92111-1051	<b>INFO</b> TOOL-BAR, BOX END WRENCH	1		
92112	92112-003	<b>INFO</b> TOOL-PLIERS	1		
92126	92126-001	<b>INFO</b> TOOL-WRENCH, OPEN END, 8X10	1		
92127	92127-003	<b>INFO</b> TOOL-WRENCH, ALLEN, 6MM	1		





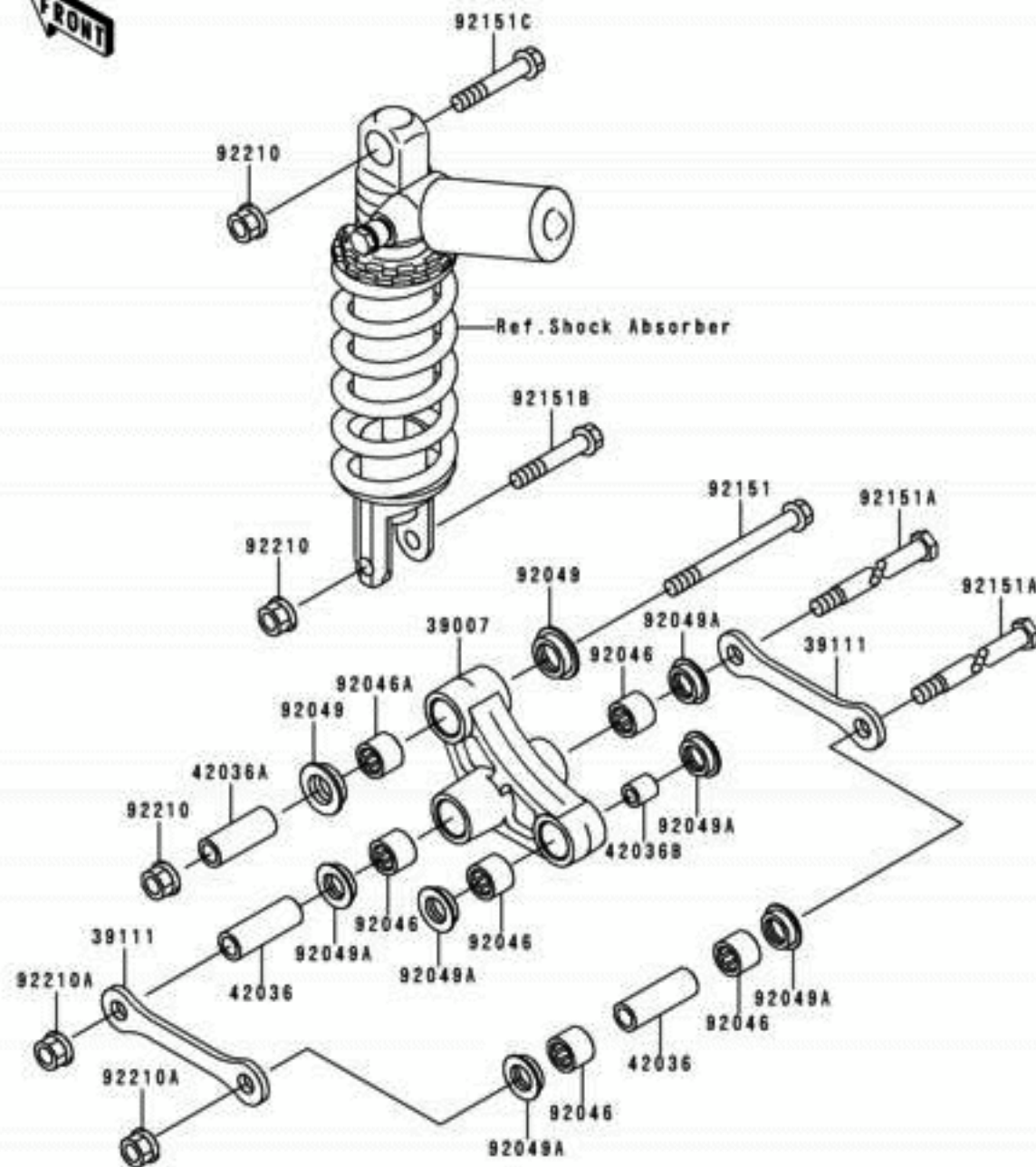
Ref #	Part #	INFO	Description	Qty	Spec Code	Price
13070	13070-1273	INFO	GUIDE	1		
41080	41080-1443-CL	INFO	DISC,RR,GOLD	1		
43020	43020-1119	INFO	PISTON-COMP-BRAKE	1		
43034	43034-1152	INFO	HOLDER-BRAKE,REAR CALIPER	1		
43041	43041-1662	INFO	CALIPER-ASSY,RR	1		
43044	43044-1110	INFO	HOLDER-COMP-CALIPER,RR	1		
43049	43049-001	INFO	PACKING,PISTON SEAL	1		
43056	43056-1054	INFO	BREATHER-BRAKE	1		
43057	43057-003	INFO	CAP-BREATHER	1		
43082	43082-1213	INFO	PAD-ASSY-BRAKE	1		
43084	43084-003	INFO	CLAMP,PAD	1		
49006	49006-1054	INFO	BOOT,CALIPER	1		
49006A	49006-1095	INFO	BOOT,CALIPER	1		
49006B	49006-1212	INFO	BOOT,PISTON SEAL	1		
92002	92002-1178	INFO	BOLT,SOCKET,8X20	2		
92043	92043-1489	INFO	PIN,PAD	1		
92144	92144-1719	INFO	SPRING,PAD	1		
92150	92150-1771	INFO	BOLT,SOCKET,8X30	4		



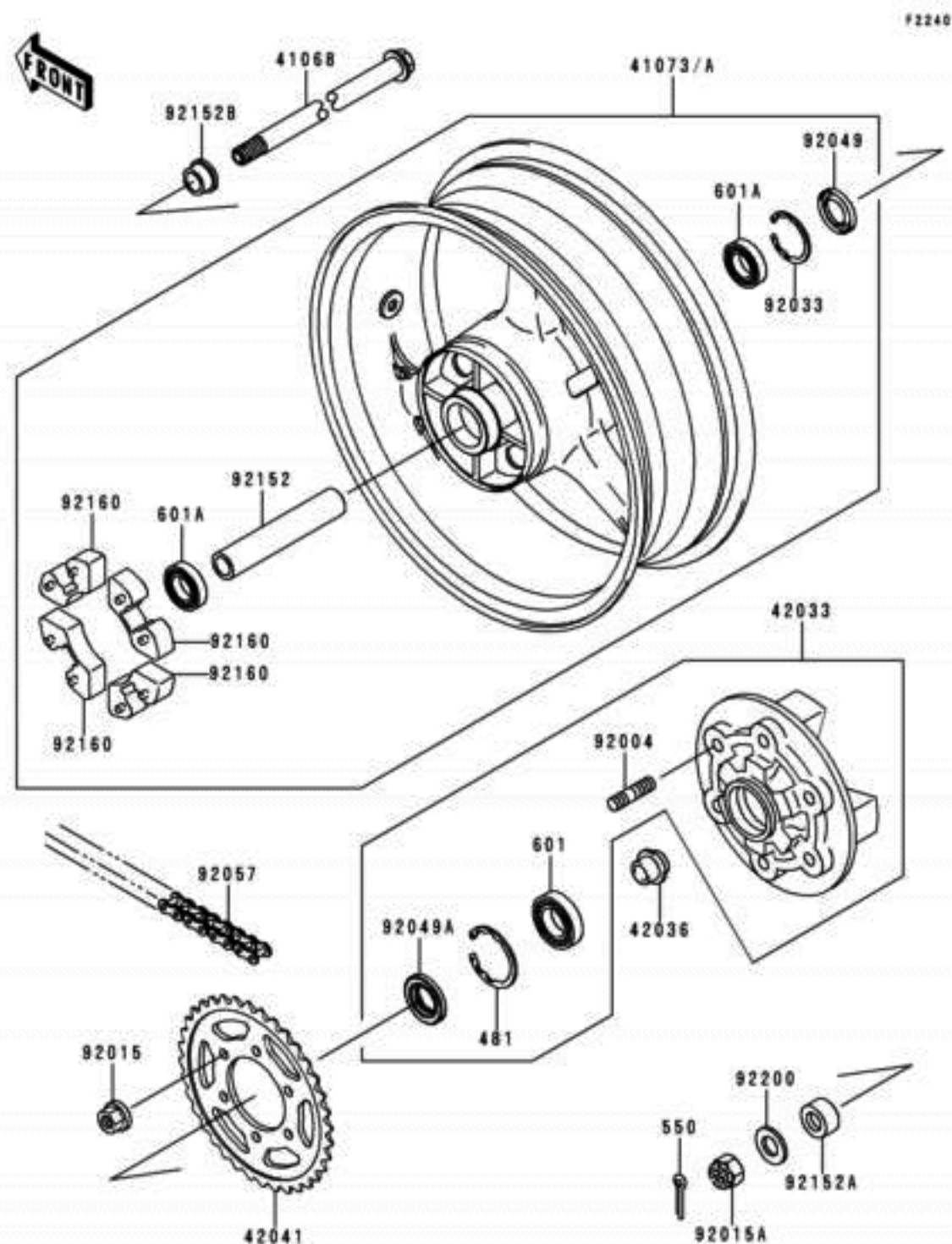
Ref #	Part #	Description	Qty	Spec Code	Price
130	130J0610	<b>INFO</b> BOLT-FLANGED	1		
130A	130J0620	<b>INFO</b> BOLT-FLANGED	1		
225	225C0412	<b>INFO</b> SCREW-PAN-WSP-CROS	1		
550	550D2015	<b>INFO</b> PIN-COTTER,2.0X15	1		
11050	11050-1768	<b>INFO</b> BRACKET,RESERVE TANK	1		
13159	13159-1052	<b>INFO</b> CONNECTOR,RR MASTER CYLINDER	1		
43010	43010-1081	<b>INFO</b> ROD-ASSY-BRAKE	1		
43015A	43015-1642	<b>INFO</b> CYLINDER-ASSY-MASTER,RR	1		
43020A	43020-1120	<b>INFO</b> PISTON-COMP-BRAKE	1		
43026	43026-1051	<b>INFO</b> CAP-BRAKE	1		
43027	43027-1051	<b>INFO</b> PLATE-DIAPHRAGM	1		
43028	43028-1057	<b>INFO</b> DIAPHRAGM,MASTER CYLINDER	1		
43067	43067-001	<b>INFO</b> WASHER,10.5X15X1.5	4		
43078	43078-1082	<b>INFO</b> RESERVOIR,RR MASTER CYLINDER	1		
43095	43095-1104	<b>INFO</b> HOSE-BRAKE,RR	1		
43095A	43095-1121	<b>INFO</b> HOSE-BRAKE,RR MASTER CYLINDER	1		
92002	92002-1888	<b>INFO</b> BOLT,OIL,L=23	2		
92009	92009-1288	<b>INFO</b> SCREW,6X14	1		
92015	92015-1700	<b>INFO</b> NUT	1		
92022	92022-1601	<b>INFO</b> WASHER,CIRCRIP	1		
92033	92033-1186	<b>INFO</b> RING-SNAP,20.5MM	1		
92037	92037-1547	<b>INFO</b> CLAMP,BRAKE HOSE	2		
92037A	92037-1896	<b>INFO</b> CLAMP,HOSE	1		
92043	92043-1303	<b>INFO</b> PIN,8MM	1		
92055	92055-1251	<b>INFO</b> RING-O,MASTER CYLINDER	1		
92150	92150-1843	<b>INFO</b> BOLT,SOCKET,8X30	2		
92170	92170-1879	<b>INFO</b> CLAMP,RESERVE TANK CAP	1		

FRONT

92150



Ref #	Part #	INFO	Description	Qty	Spec Code	Price
39007	39007-1258	INFO	ARM-SUSP,UNI TRAK	1		
39111	39111-1163	INFO	ROD-TIE, SUSPENSION	2		
42036	42036-1321	INFO	SLEEVE,12.1X18X88	2		
42036A	42036-1342	INFO	SLEEVE,10.1X17X44.5	1		
42036B	42036-1344	INFO	SLEEVE,10.1X18X32	1		
92046	92046-1144	INFO	BEARING-NEEDLE,18BM2416	5		
92046A	92046-1258	INFO	BEARING-NEEDLE,BHM1725	1		
92049	92049-1223	INFO	SEAL-OIL,MHA17245.7F	2		
92049A	92049-1493	INFO	SEAL-OIL,KCR MF018N1	6		
92151	92151-1242	INFO	BOLT,FLANGED,10X78	1		
92151A	92151-1318	INFO	BOLT,12X114	2		
92151B	92151-1369	INFO	BOLT,FLANGED,10X50	1		
92151C	92151-1370	INFO	BOLT,FLANGED,10X59	1		
92210	92210-1139	INFO	NUT,LOCK,FLANGED,10MM	3		
92210A	92210-1150	INFO	NUT,LOCK,FLANGED,12MM	2		

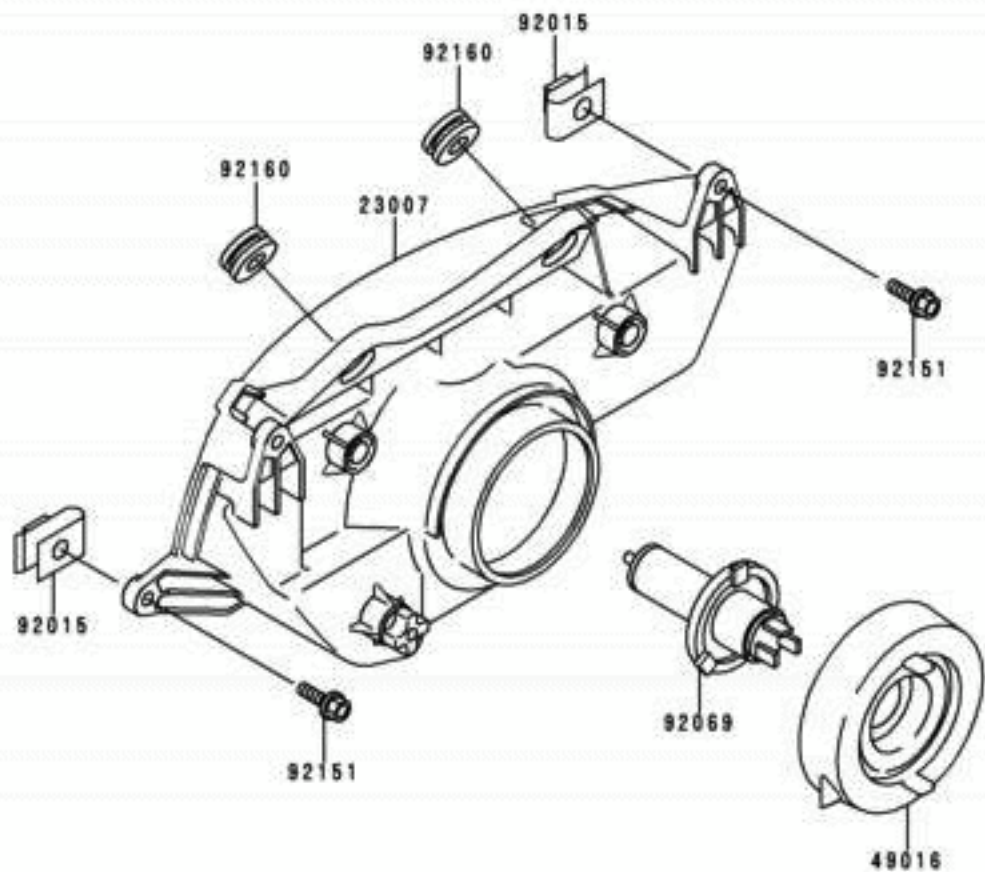


Ref #	Part #	INFO	Description	Qty	Spec Code	Price
481	481J5500	INFO	CIRCLIP	1		
550	550D4040	INFO	PIN-COTTER, 4.0X40	1		
601	601B6006G	INFO	BEARING-BALL, #6006G	1		
601A	601B6205UU	INFO	BEARING-BALL	2		
41068	41068-1326	INFO	AXLE, RR	1		
41073	41073-1634-CJ	INFO	WHEEL-ASSY, RR, L, GREEN	1		
41073A	41073-1634-DH	INFO	WHEEL-ASSY, RR, C, GRAY	1		
42033	42033-1144	INFO	COUPLING-ASSY, RR HUB	1		
42036	42036-1279	INFO	SLEEVE, RR HUB, L=22	1		
42041	42041-1503	INFO	SPROCKET-HUB, 40T	1		
92004	92004-1151	INFO	STUD, 10X19.5	6		
92015	92015-1720	INFO	NUT, 10MM	6		
92015A	92015-1844	INFO	NUT, CASTLE, 24MM	1		
92033	92033-1043	INFO	RING-SNAP, 52MM	1		
92049	92049-1375	INFO	SEAL-OIL, B/JN 32 52 5	1		
92049A	92049-1376	INFO	SEAL-OIL, P/JN 40 55 8	1		
92057	92057-1462	INFO	CHAIN, DRIVE, EK525MVXLX108L	1		
92152	92152-1080	INFO	COLLAR, RR HUB, L=152.5	1		
92152A	92152-1081	INFO	COLLAR, RR AXLE, LH, L=23.5	1		
92152B	92152-1082	INFO	COLLAR, RR AXLE, RH, L=16	1		
92160	92160-1485	INFO	DAMPER, SHOCK, RR HUB	4		
92200	92200-1081	INFO	WASHER, 25.5X38X4.5	1		



F2710

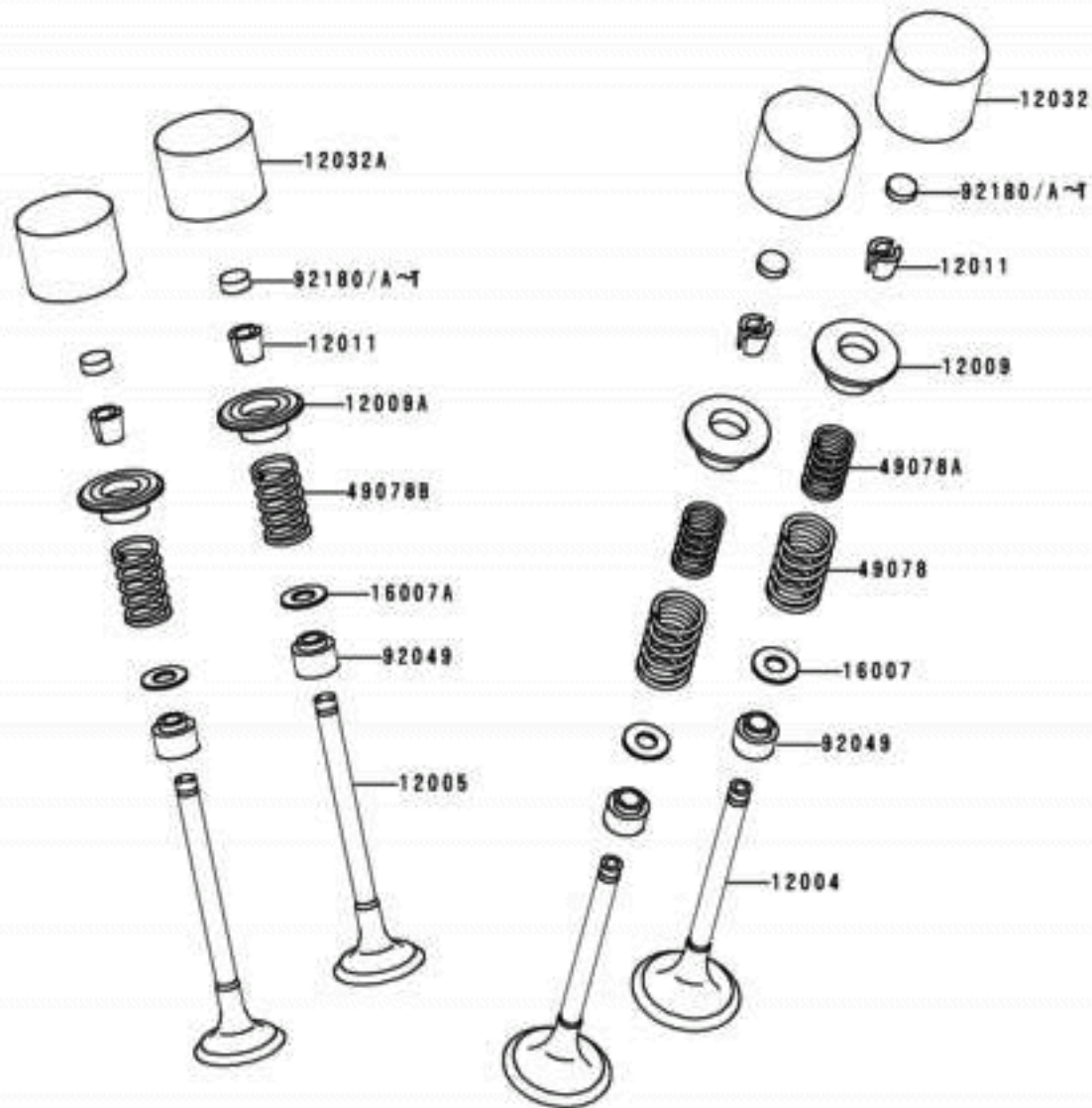
Ref #	Part #	INFO	Description	Qty	Spec Code	Price
23007	23007-1347	INFO	LENS-COMP, HEAD LAMP	1		
49016	49016-1193	INFO	COVER-SEAL, HEAD LAMP	1		
92015	92015-1094	INFO	NUT, 6MM	4		
92069	92069-1002	INFO	BULB, 12V 60/55W, H4	1		
92151	92151-1241	INFO	BOLT, 6X25	4		
92160	92160-1007	INFO	DAMPER	2		





FRONT

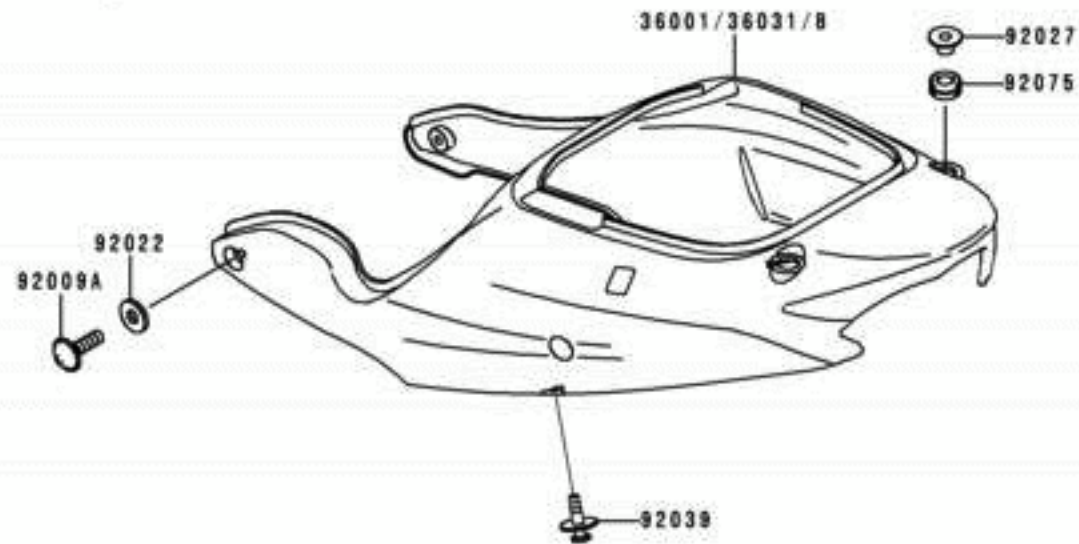
11210



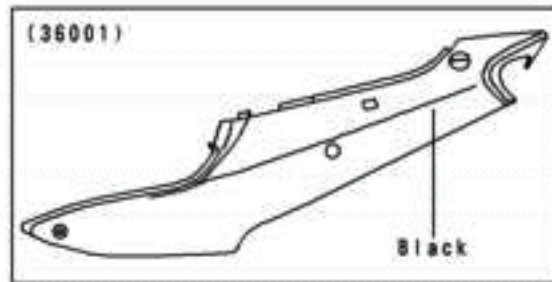
Ref #	Part #	Description	Qty	Spec Code	Price
12004	12004-1120	<b>INFO</b> VALVE-INTAKE	8		
12005	12005-1214	<b>INFO</b> VALVE-EXHAUST	8		
12009	12009-1059	<b>INFO</b> RETAINER-VALVE SPRING	8		
12009A	12009-1076	<b>INFO</b> RETAINER-VALVE SPRING	8		
12011	12011-1052	<b>INFO</b> COLLET	32		
12032	12032-1060	<b>INFO</b> TAPPET	8		
12032A	12032-1061	<b>INFO</b> TAPPET	8		
16007	16007-1159	<b>INFO</b> SEAT-SPRING	8		
16007A	16007-1160	<b>INFO</b> SEAT-SPRING	8		
49078	49078-1134	<b>INFO</b> SPRING-ENGINE VALVE,INTAKE,OUT	8		
49078A	49078-1135	<b>INFO</b> SPRING-ENGINE VALVE,INTAKE,INN	8		
49078B	49078-1143	<b>INFO</b> SPRING-ENGINE VALVE,EXHAUST	8		
92049	92049-1308	<b>INFO</b> SEAL-OIL,VALVE GUIDE	16		
92180	92180-1014	<b>INFO</b> SHIM,T=2.50	AR		
92180A	92180-1016	<b>INFO</b> SHIM,T=2.55	AR		
92180B	92180-1018	<b>INFO</b> SHIM,T=2.60	AR		
92180C	92180-1020	<b>INFO</b> SHIM,T=2.65	AR		
92180D	92180-1022	<b>INFO</b> SHIM,T=2.70	AR		
92180E	92180-1024	<b>INFO</b> SHIM,T=2.75	AR		
92180F	92180-1026	<b>INFO</b> SHIM,T=2.80	AR		
92180G	92180-1028	<b>INFO</b> SHIM,T=2.85	AR		
92180H	92180-1030	<b>INFO</b> SHIM,T=2.90	AR		
92180I	92180-1032	<b>INFO</b> SHIM,T=2.95	AR		
92180J	92180-1034	<b>INFO</b> SHIM,T=3.00	AR		
92180K	92180-1036	<b>INFO</b> SHIM,T=3.05	AR		
92180L	92180-1038	<b>INFO</b> SHIM,T=3.10	AR		
92180M	92180-1040	<b>INFO</b> SHIM,T=3.15	AR		
92180N	92180-1042	<b>INFO</b> SHIM,T=3.20	AR		
92180O	92180-1044	<b>INFO</b> SHIM,T=3.25	AR		
92180P	92180-1046	<b>INFO</b> SHIM,T=3.30	AR		
92180Q	92180-1048	<b>INFO</b> SHIM,T=3.35	AR		
92180R	92180-1050	<b>INFO</b> SHIM,T=3.40	AR		
92180S	92180-1052	<b>INFO</b> SHIM,T=3.45	AR		
92180T	92180-1054	<b>INFO</b> SHIM,T=3.50	AR		

FRONT

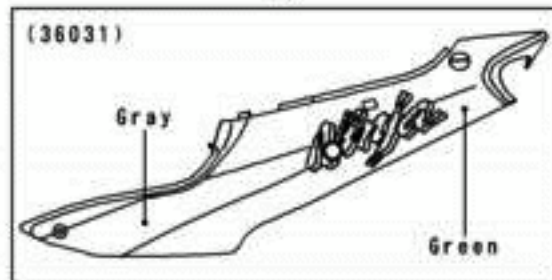
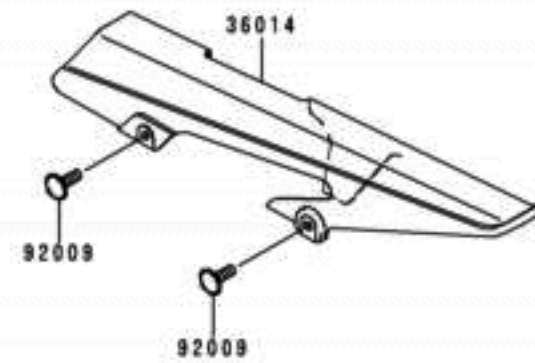
F2610A



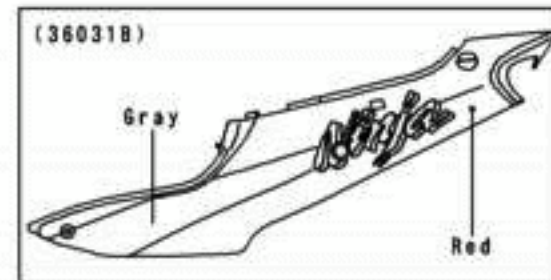
Ref #	Part #	INFO	Description	Qty	Spec Code	Price
36001	36001-1601-20	INFO	COVER-SIDE,P.P.BLACK MICA	1		
36014	36014-1196	INFO	CASE-CHAIN	1		
36031	36031-5287-4H	INFO	COVER-SIDE, GREEN/GRAY	1		
36031B	36031-5290-X5	INFO	COVER-SIDE,RED/GRAY	1	[CN]	
92009	92009-1402	INFO	SCREW,6X10	2		
92009A	92009-1663	INFO	SCREW,6X18	2		
92022	92022-1654	INFO	WASHER,6.5X16X1.0	2		
92027	92027-4015	INFO	COLLAR	2		
92039	92039-1227	INFO	RIVET	2		
92075	92075-1898	INFO	DAMPER	2		



W00



W0

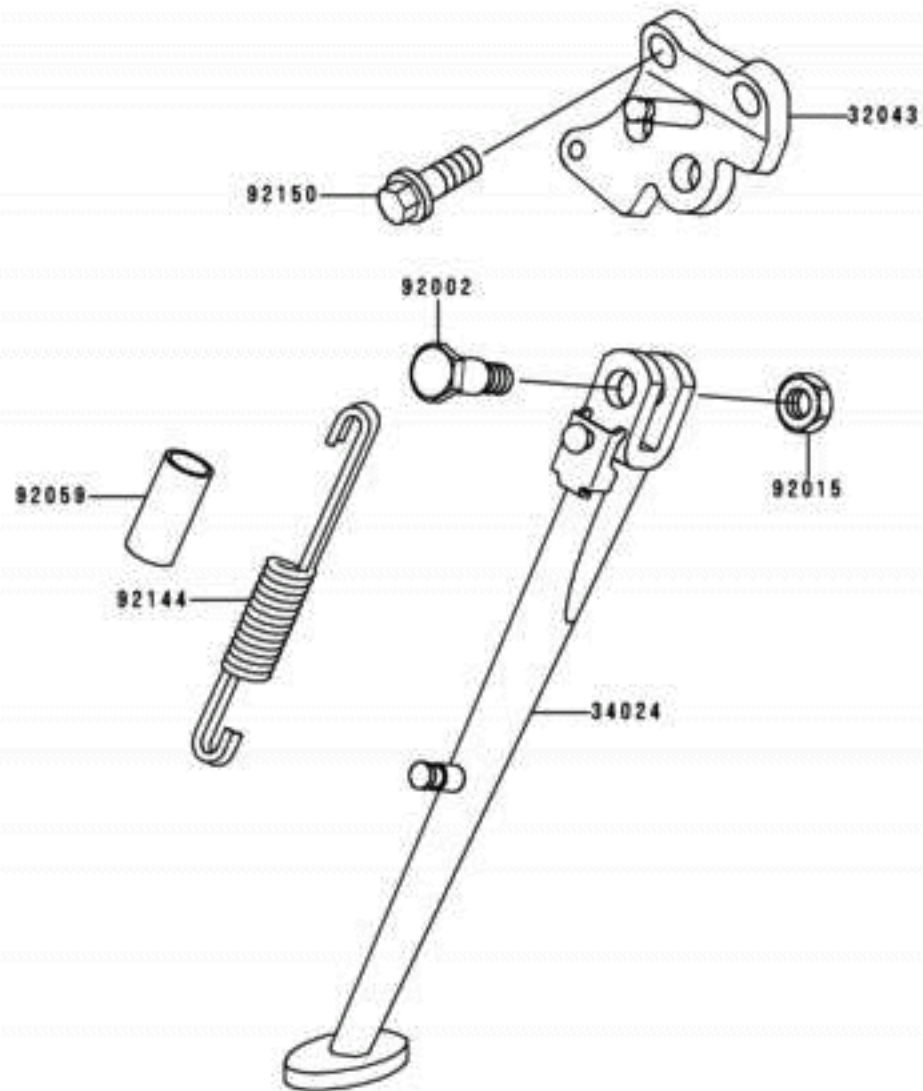


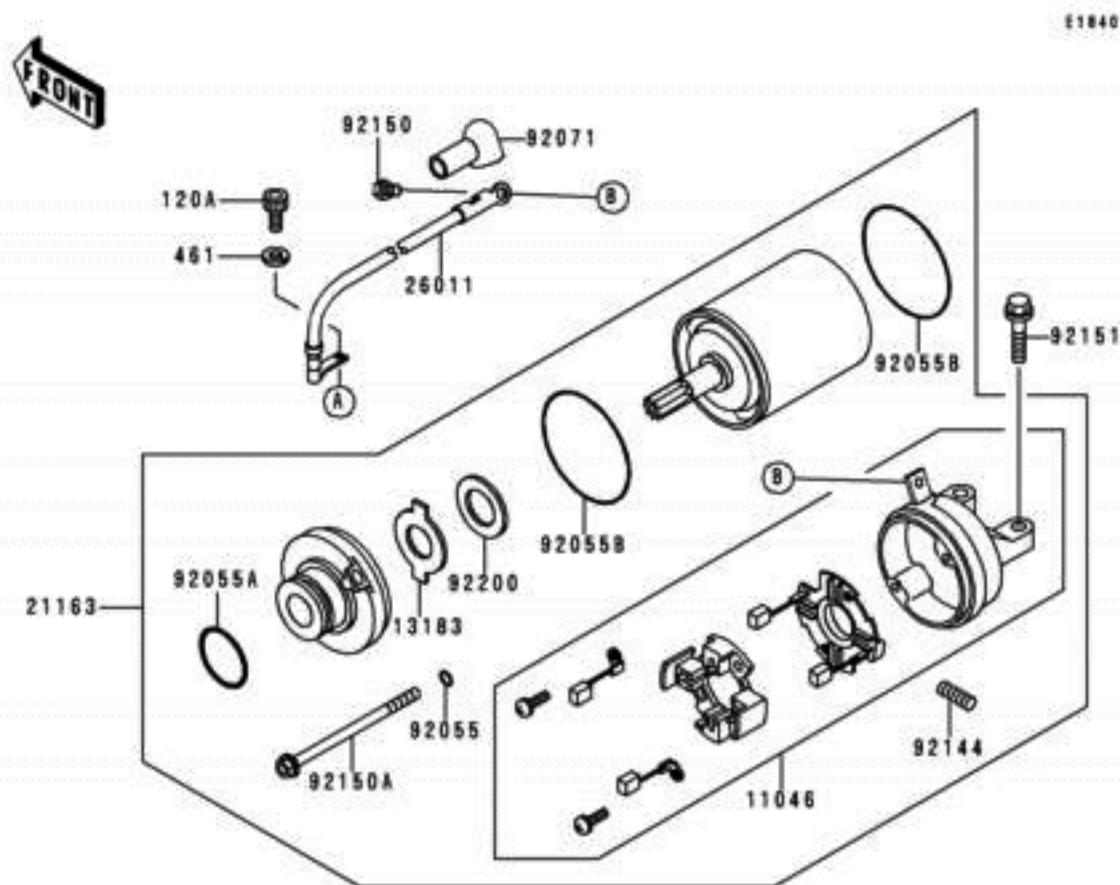
W0



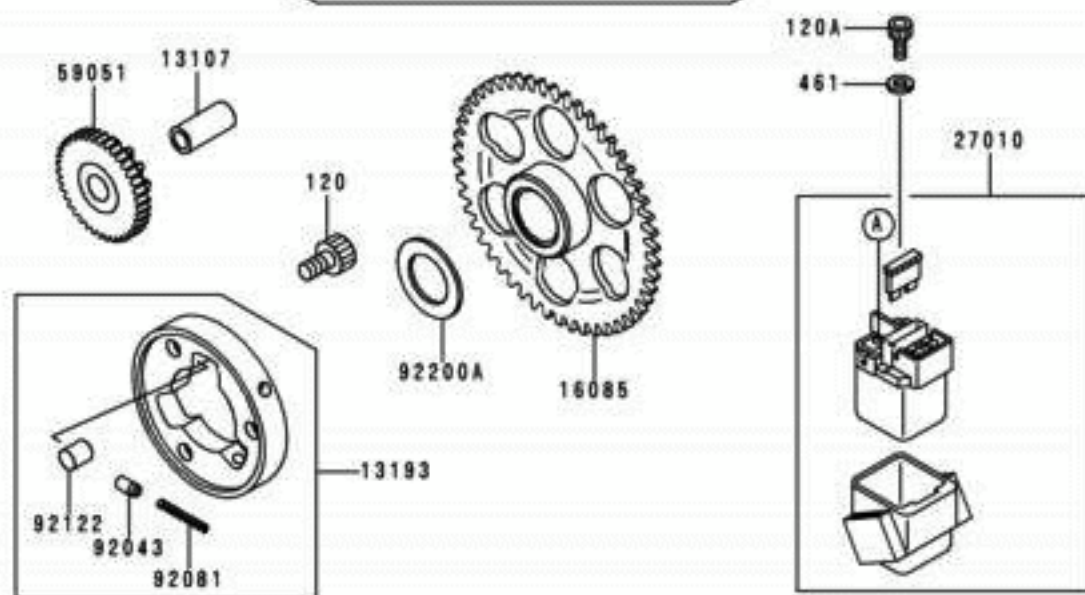
FRONT

Ref #	Part #	INFO	Description	Qty	Spec Code	Price
32043	32043-1435-10	INFO	BRACKET-STAND,SIDE,BLACK	1		
34024	34024-1345	INFO	STAND-SIDE	1		
92002	92002-1813	INFO	BOLT,SIDE STAND	1		
92015	92015-1188	INFO	NUT,LOCK,10MM,BLACK	1		
92059	92059-1961	INFO	TUBE,14X17X50	1		
92144	92144-1818	INFO	SPRING,SIDE STAND	1		
92150	92150-1065	INFO	BOLT,FLANGED,10X25	2		



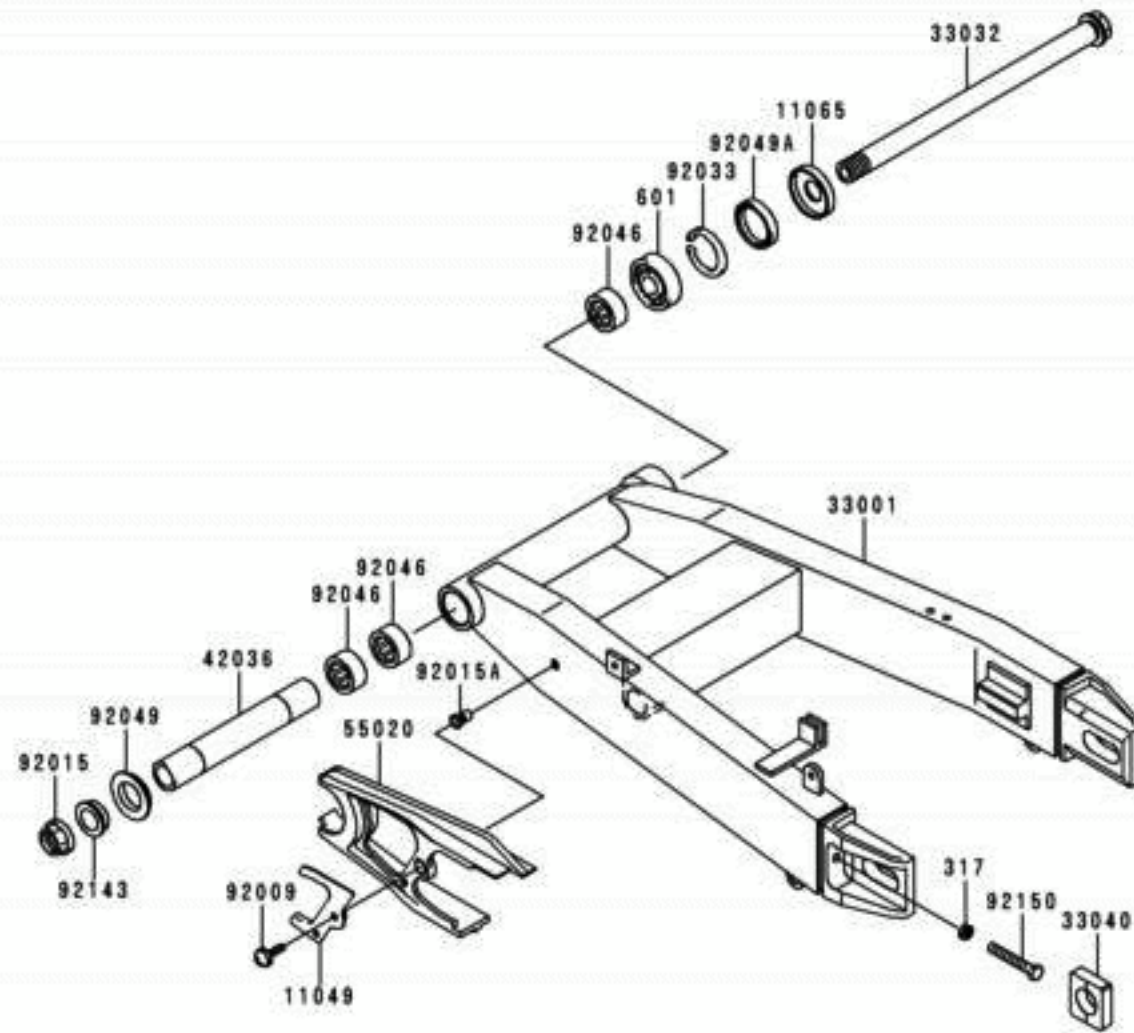


Ref #	Part #	Description	Qty	Spec Code	Price
120	120P0812	<b>INFO</b> BOLT-SOCKET,8X12	3		
120A	120S0510	<b>INFO</b> BOLT-SOCKET	2		
461	461K0500	<b>INFO</b> WASHER-SPRING,5MM,BLACK	2		
11046	11046-1794	<b>INFO</b> BRACKET,STARTER MOTOR	1		
13107	13107-1176	<b>INFO</b> SHAFT,7.8X12X26.5	1		
13183	13183-1460	<b>INFO</b> PLATE	1		
13193	13193-1002	<b>INFO</b> CLUTCH-ASSY-ONEWAY	1		
16085	16085-1166	<b>INFO</b> GEAR,ONEWAY CLUTCH,65T	1		
21163	21163-1289	<b>INFO</b> STARTER-ELECTRIC	1		
26011	26011-1694	<b>INFO</b> WIRE-LEAD,STARTER	1		
27010	27010-1380	<b>INFO</b> SWITCH	1		
59051	59051-1200	<b>INFO</b> GEAR-SPUR,IDLE,48T&14T	1		
92043	92043-132	<b>INFO</b> PIN	3		
92055	92055-1261	<b>INFO</b> RING-O,4.5MM	2		
92055A	92055-1262	<b>INFO</b> RING-O,24.4MM	1		
92055B	92055-1455	<b>INFO</b> RING-O	2		
92071	92071-1182	<b>INFO</b> GROMMET,TERMINAL	1		
92081	92081-159	<b>INFO</b> SPRING,COIL	3		
92122	92122-006	<b>INFO</b> ROLLER	3		
92144	92144-1423	<b>INFO</b> SPRING,BRUSH	4		
92150	92150-1305	<b>INFO</b> BOLT	1		
92150A	92150-1326	<b>INFO</b> BOLT	2		
92151	92151-1130	<b>INFO</b> BOLT,6X25	2		
92200	92200-1019	<b>INFO</b> WASHER	1		
92200A	92200-1393	<b>INFO</b> WASHER,27.5X38X1.0	1		





#2141

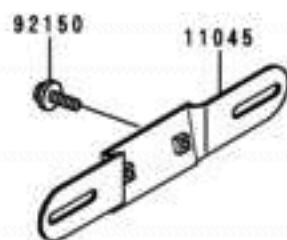
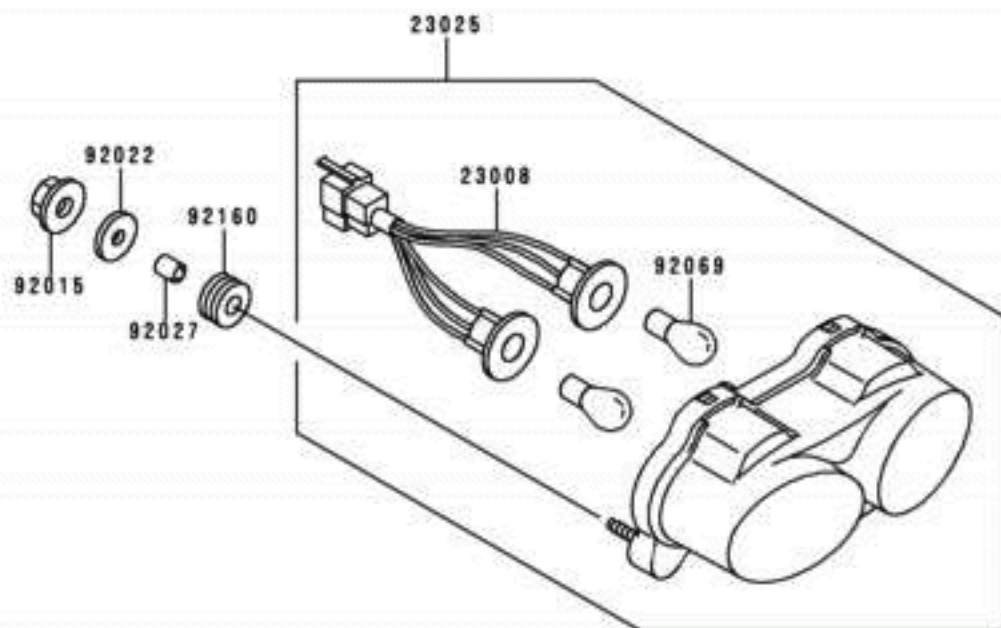


Ref #	Part #	INFO	Description	Qty	Spec Code	Price
317	317G0800	INFO	NUT-HEX-SMALL,8MM	2		
601	601A6004	INFO	BEARING-BALL,#6004	1		
11049	11049-1234	INFO	BRACKET,CHAIN GUARD	1		
11065	11065-1100	INFO	CAP,SWING ARM PIVOT	1		
33001	33001-1548-TX	INFO	ARM-COMP-SWING,SILVER	1		
33032	33032-1191	INFO	SHAFT-SWING ARM	1		
33040	33040-1114	INFO	ADJUSTER-CHAIN	2		
42036	42036-1283	INFO	SLEEVE,SWING ARM,L=213	1		
55020	55020-1656	INFO	GUARD,CHAIN	1		
92009	92009-1664	INFO	SCREW,6X22	1		
92015	92015-1724	INFO	NUT,FLANGED,20MM	1		
92015A	92015-1792	INFO	NUT,POP,6MM,L=16.5	1		
92033	92033-1041	INFO	RING-SNAP,42MM	1		
92046	92046-1111	INFO	BEARING-NEEDLE,BM2817	3		
92049	92049-1181	INFO	SEAL-OIL	1		
92049A	92049-1314	INFO	SEAL-OIL,MHSA25 42 6	1		
92143	92143-1227	INFO	COLLAR,SWING ARM,L=12.5	1		
92150	92150-1350	INFO	BOLT,8X55	2		



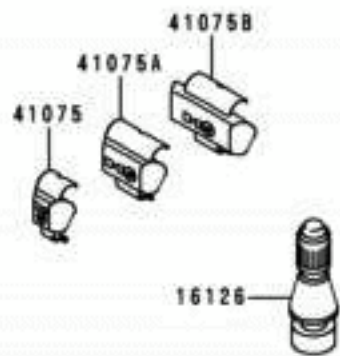
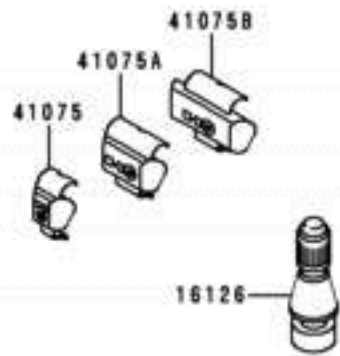
#2720

Ref #	Part #	INFO	Description	Qty	Spec Code	Price
11045	11045-1387	INFO	BRACKET,LICENSE	1		
23008	23008-1364	INFO	SOCKET-ASSY,TAIL LAMP	1		
23025	23025-1269	INFO	LAMP-TAIL	1		
92015	92015-1367	INFO	NUT,FLANGED,6MM	3		
92022	92022-1557	INFO	WASHER,6.5X20X1.6	3		
92027	92027-162	INFO	COLLAR,6.8X10X12	3		
92069	92069-059	INFO	BULB,12V 27/8W	2		
92150	92150-1909	INFO	BOLT,6X16	2		
92160	92160-1162	INFO	DAMPER	3		

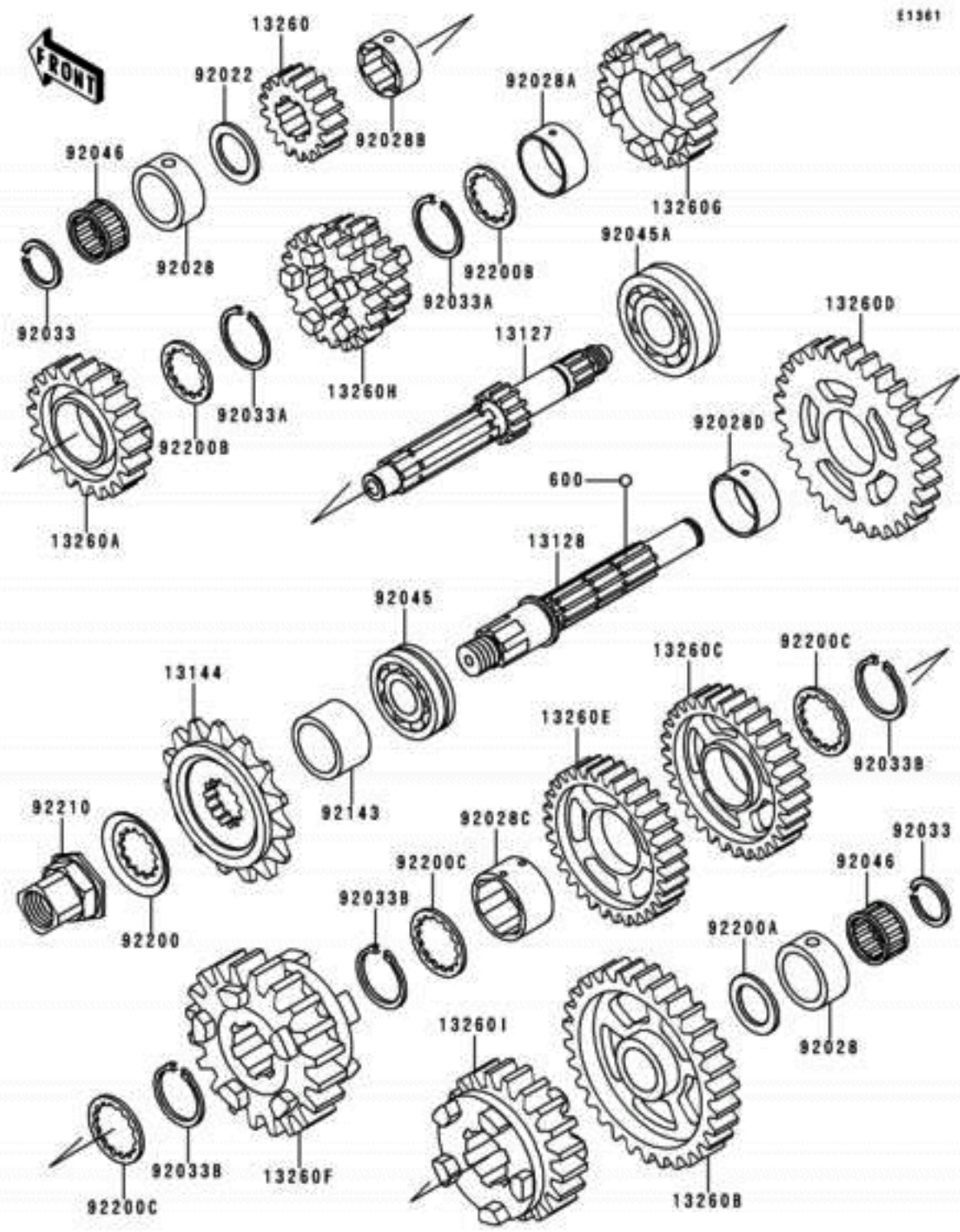


FRONT

#2210



Ref #	Part #	INFO	Description	Qty	Spec Code	Price
16126	16126-1140	INFO	VALVE, TIRE	2		
41009	41009-1203	INFO	TIRE, FR, 120/60ZR17(55W), D204FJ	1		
41009A	41009-1204	INFO	TIRE, RR, 170/60ZR17(72W), D204J	1		
41009B	41009-1233	INFO	TIRE, FR, 120/60ZR17(55W), BT56FG	1		
41009C	41009-1234	INFO	TIRE, RR, 170/60ZR17(72W), BT56R	1		
41075	41075-1014	INFO	BALANCER-WHEEL, 10G, SILVER	AR		
41075A	41075-1015	INFO	BALANCER-WHEEL, 20G, SILVER	AR		
41075B	41075-1016	INFO	BALANCER-WHEEL, 30G, SILVER	AR		



11361

Ref #	Part #	Description	Qty	Spec Code	Price
600	600A0500	<b>INFO</b> BALL-STEEL,5/32"	3		
13127	13127-1265	<b>INFO</b> SHAFT-TRANSMISSION INPUT,13T	1		
13128	13128-1207	<b>INFO</b> SHAFT-TRANSMISSION OUTPUT	1		
13144	13144-1288	<b>INFO</b> SPROCKET-OUTPUT,15T	1		
13260	13260-1452	<b>INFO</b> GEAR,INPUT 2ND,16T	1		
13260A	13260-1455	<b>INFO</b> GEAR,INPUT TOP,24T	1		
13260B	13260-1456	<b>INFO</b> GEAR,OUTPUT LOW,38T	1		
13260C	13260-1458	<b>INFO</b> GEAR,OUTPUT 3RD,31T	1		
13260D	13260-1568	<b>INFO</b> GEAR,OUTPUT 2ND,33T	1		
13260E	13260-1569	<b>INFO</b> GEAR,OUTPUT 4TH,29T	1		
13260F	13260-1570	<b>INFO</b> GEAR,OUTPUT TOP,26T	1		
13260G	13260-1717	<b>INFO</b> GEAR,INPUT 5TH,32T	1		
13260H	13260-1718	<b>INFO</b> GEAR,INPUT 3RD&4TH,19T&21T	1		
13260I	13260-1725	<b>INFO</b> GEAR,OUTPUT 5TH,28T	1		
92022	92022-112	<b>INFO</b> WASHER,20.5X30X1,STEEL	1		
92028	92028-1151	<b>INFO</b> BUSHING,27X34X18.6	2		
92028A	92028-1735	<b>INFO</b> BUSHING,INPUT 5TH GEAR	1		
92028B	92028-1736	<b>INFO</b> BUSHING,INPUT TOP GEAR	1		
92028C	92028-1738	<b>INFO</b> BUSHING,OUTPUT,3RD&4TH	1		
92028D	92028-1739	<b>INFO</b> BUSHING,OUTPUT,2ND	1		
92033	92033-015	<b>INFO</b> RING-SNAP,20MM	2		
92033A	92033-026	<b>INFO</b> RING-SNAP,24MM	2		
92033B	92033-1037	<b>INFO</b> RING-SNAP,25.9MM	3		
92045	92045-035	<b>INFO</b> BEARING-BALL,839935H2-CS	1		
92045A	92045-1320	<b>INFO</b> BEARING-BALL	1		
92046	92046-1246	<b>INFO</b> BEARING-NEEDLE	2		
92143	92143-1756	<b>INFO</b> COLLAR,25X32X13	1		
92200	92200-1065	<b>INFO</b> WASHER	1		
92200A	92200-1238	<b>INFO</b> WASHER,20.3X30X2.3	1		
92200B	92200-1239	<b>INFO</b> WASHER,INPUT TOP&5TH	2		
92200C	92200-1240	<b>INFO</b> WASHER,2ND,3RD,4TH	3		
92210	92210-1098	<b>INFO</b> NUT,SPROCKET	1		





Ref #	Part #	Description	Qty	Spec Code	Price
45014	45014-1689	<b>INFO</b> SHOCKABSORBER	1		
92092	92092-1058	<b>INFO</b> BUSHING-RUBBER	1		

F2280

